



US00D941649S

(12) **United States Design Patent**
Stratford et al.

(10) **Patent No.:** **US D941,649 S**
(45) **Date of Patent:** **** Jan. 25, 2022**

(54) **DISC CUTTER**

(71) Applicant: **Evolution Power Tools Limited,**
Sheffield (GB)

(72) Inventors: **Mark Stratford,** Sheffield (GB); **Simon Donson,** Sheffield (GB); **Ben Bateman,** Sheffield (GB)

(73) Assignee: **Evolution Power Tools Limited,**
Sheffield (GB)

(**) Term: **15 Years**

(21) Appl. No.: **29/730,752**

(22) Filed: **Apr. 8, 2020**

(30) **Foreign Application Priority Data**

Oct. 11, 2019 (GB) 6073667

(51) **LOC (13) Cl.** **08-03**

(52) **U.S. Cl.**
USPC **D8/66**

(58) **Field of Classification Search**
USPC D8/69, 68, 67, 66, 64, 61, 70; 83/698.41,
83/747, 166.3, 374, 373, 375, 376, 391,
83/377, 390, 388, 389; 30/122, 124, 329;
144/218; D21/532
CPC B27B 9/00; B27B 9/02; B27B 5/02; B27B
5/18; B27B 33/08; B28D 1/04; B28D
1/045; B23D 45/00; B23D 45/16; B23D
47/02

See application file for complete search history.

(56) **References Cited**

U.S. PATENT DOCUMENTS

6,591,826 B1 * 7/2003 Donnerdal B23D 45/16
125/12
D533,757 S * 12/2006 Arvidsson D8/66

D561,551 S * 2/2008 Tinius D8/66
D579,742 S * 11/2008 Arvidsson D8/66
D596,912 S * 7/2009 Arvidsson D8/66
D609,070 S * 2/2010 Tinius D8/62
D640,110 S * 6/2011 Tinius D8/65
D644,081 S * 8/2011 Rettenweber D8/66
D648,998 S * 11/2011 Sell D8/66
D663,600 S * 7/2012 Okuda D8/66
D669,329 S * 10/2012 Tinius D8/65
D711,716 S * 8/2014 Tinius D8/65
D743,226 S * 11/2015 Aoki D8/66
D754,509 S * 4/2016 Lee D8/66
10,723,011 B2 * 7/2020 Stromback B27G 19/04
D906,780 S * 1/2021 Landberg D8/66
D931,073 S * 9/2021 Suzuki D8/66
2001/0003983 A1 * 6/2001 Iida B23D 45/16
125/13.01

* cited by examiner

Primary Examiner — Austin Murphy
(74) *Attorney, Agent, or Firm* — IPro, PLLC

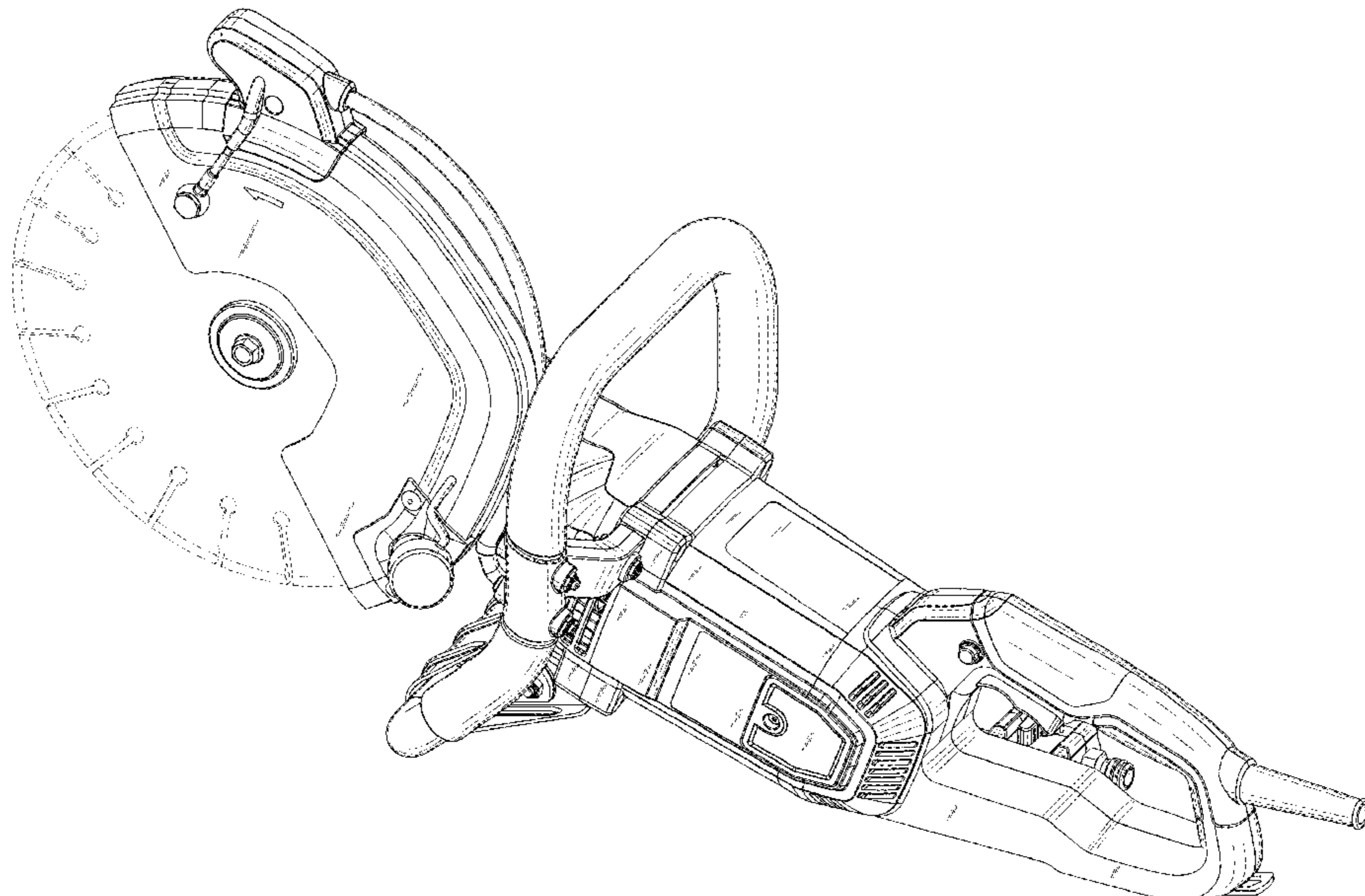
(57) **CLAIM**

The ornamental design for a disc cutter, as shown and described.

DESCRIPTION

FIG. 1 is a perspective view of a disc cutter embodying the new design;
FIG. 2 is a front view thereof;
FIG. 3 is a back view thereof;
FIG. 4 is a top view thereof;
FIG. 5 is bottom view thereof;
FIG. 6 is a side view thereof; and,
FIG. 7 is another side view thereof.
In the drawings, the broken lines depict portions of the disc cutter that form no part of the claimed design.

1 Claim, 7 Drawing Sheets



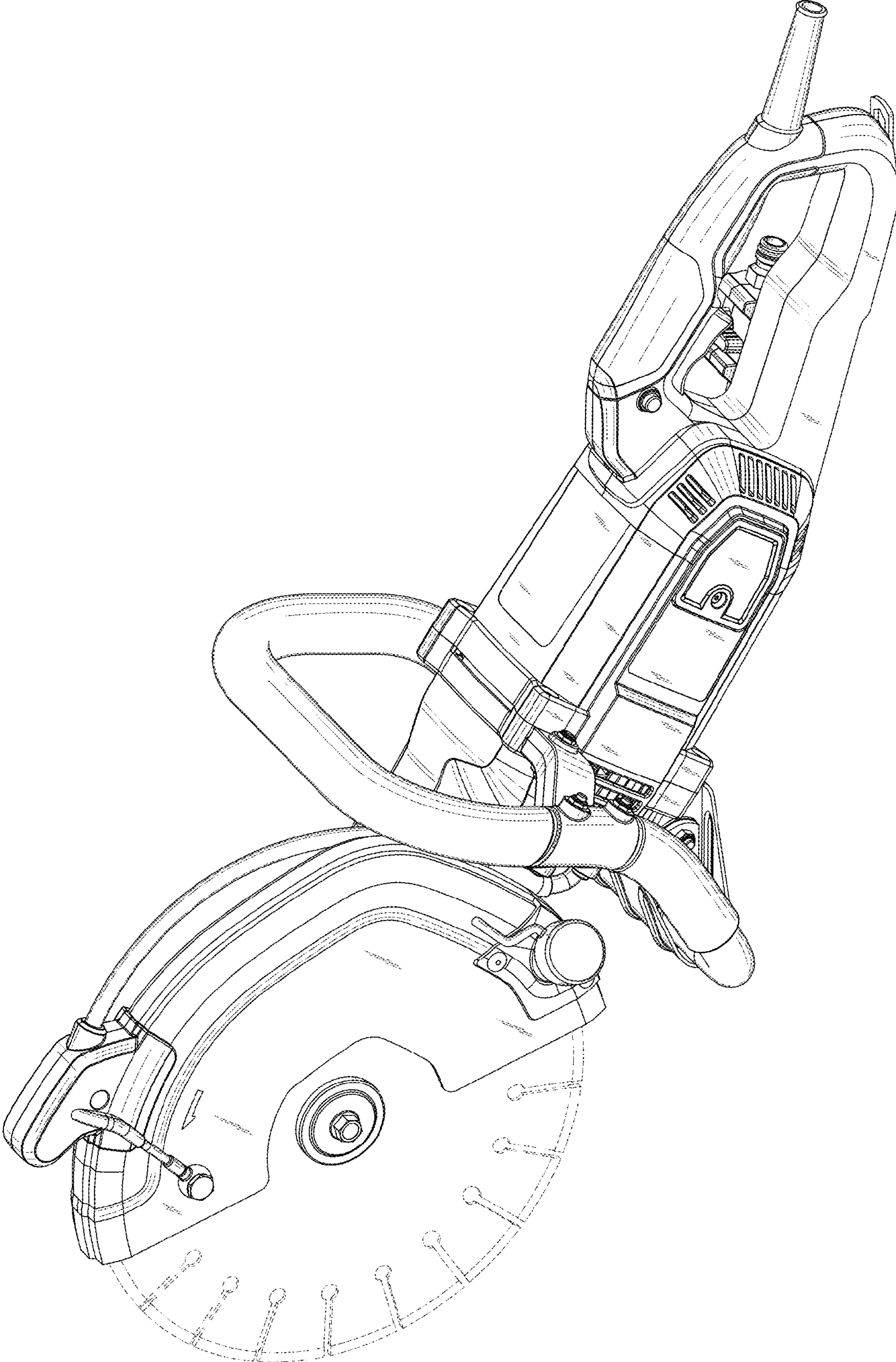


Fig. 1

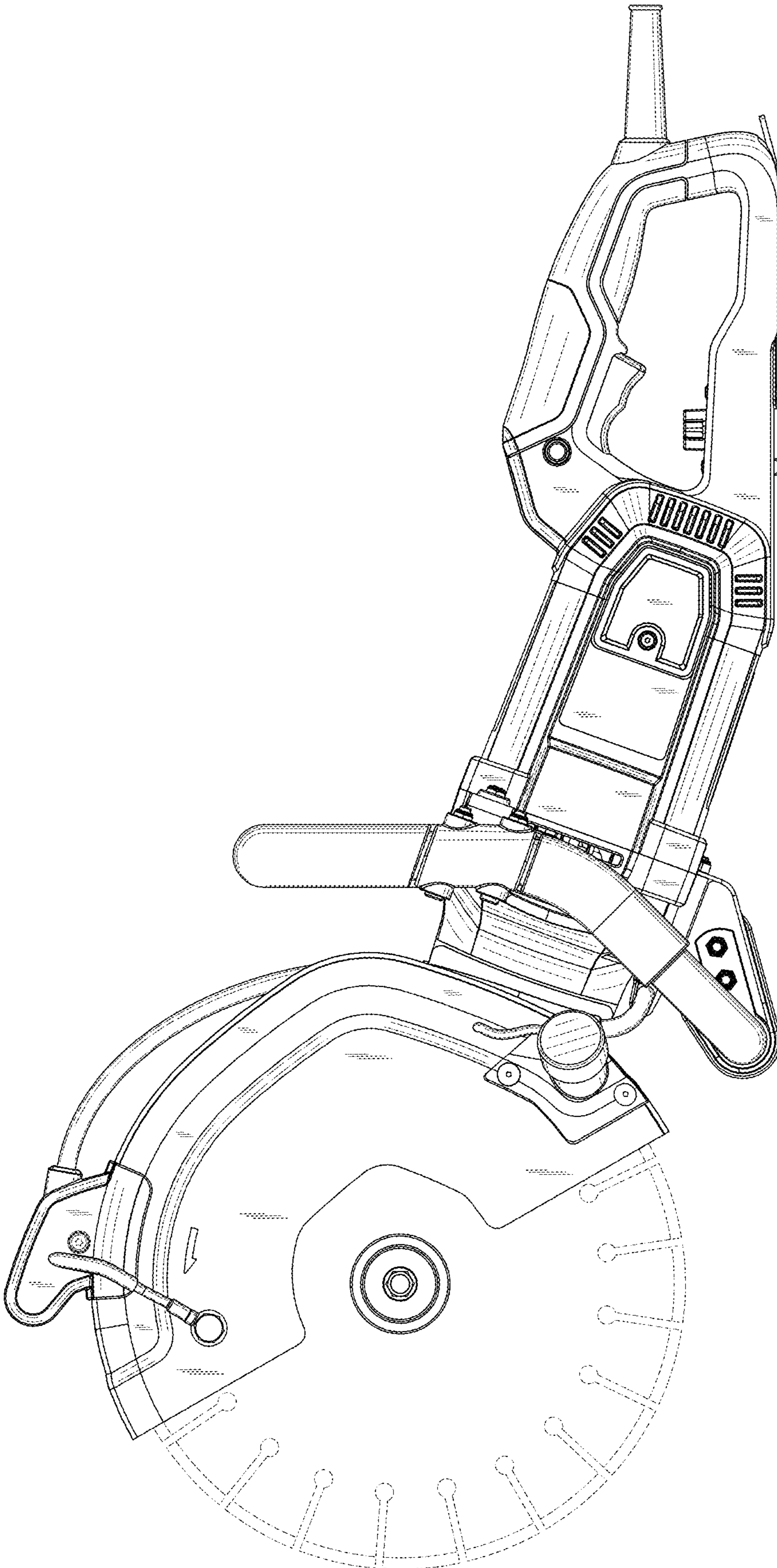


Fig. 2

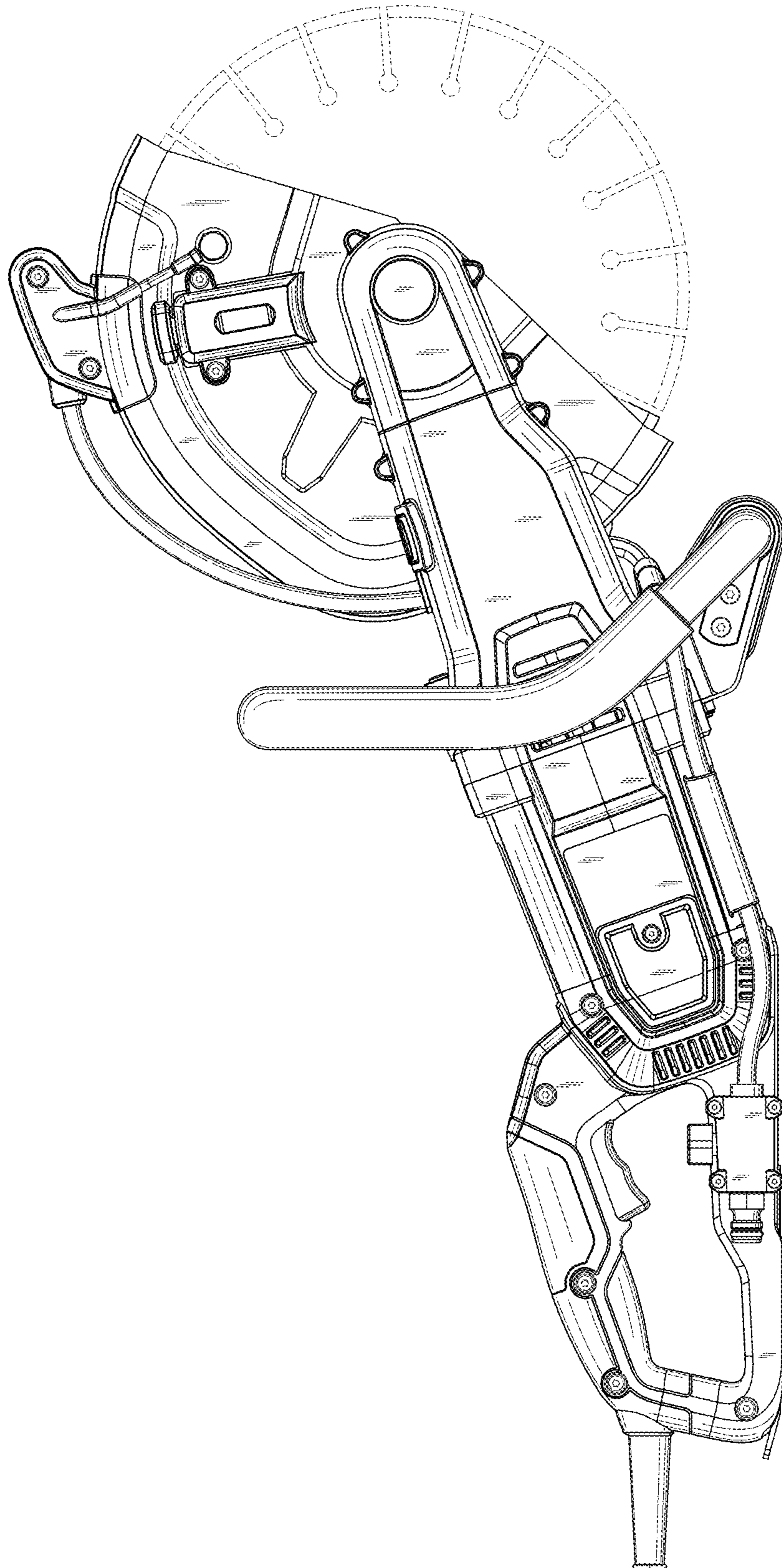


Fig. 3

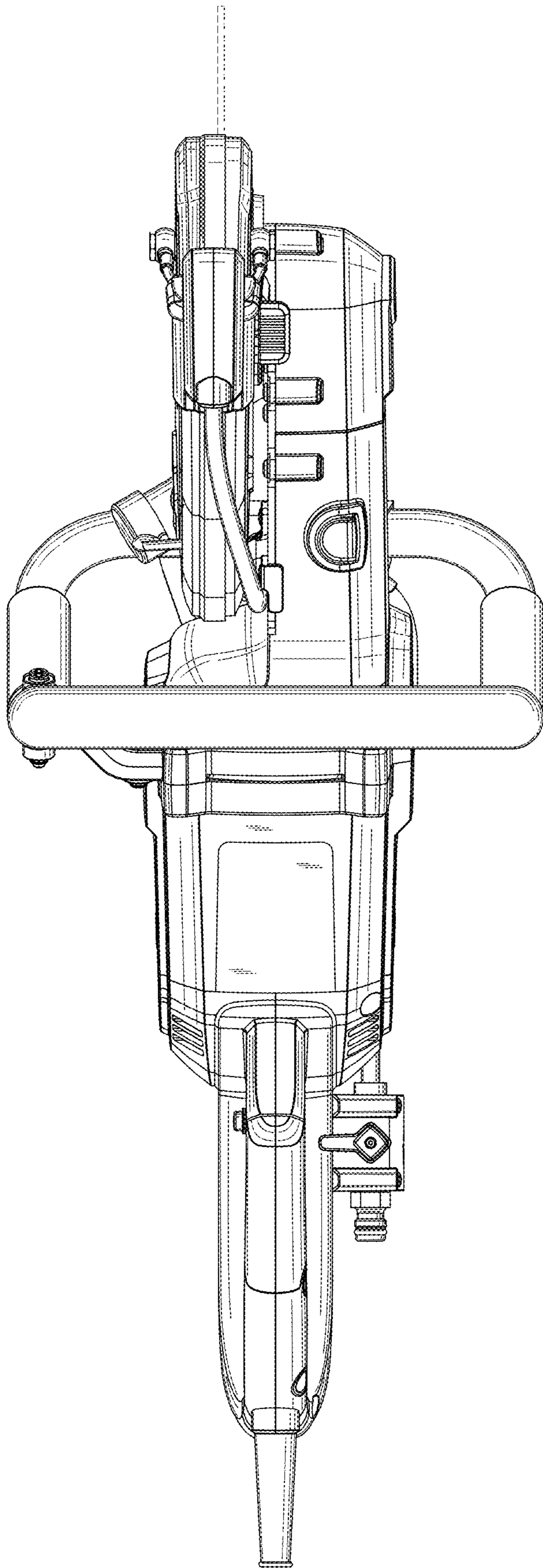


Fig. 4

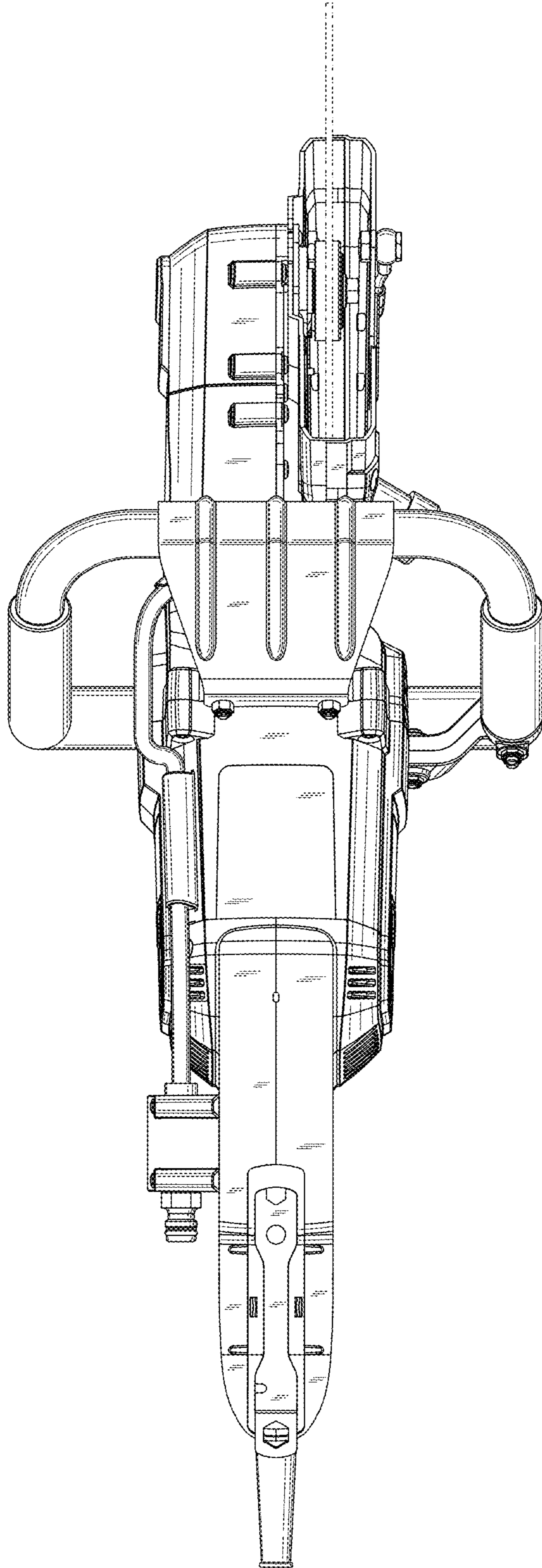


Fig. 5

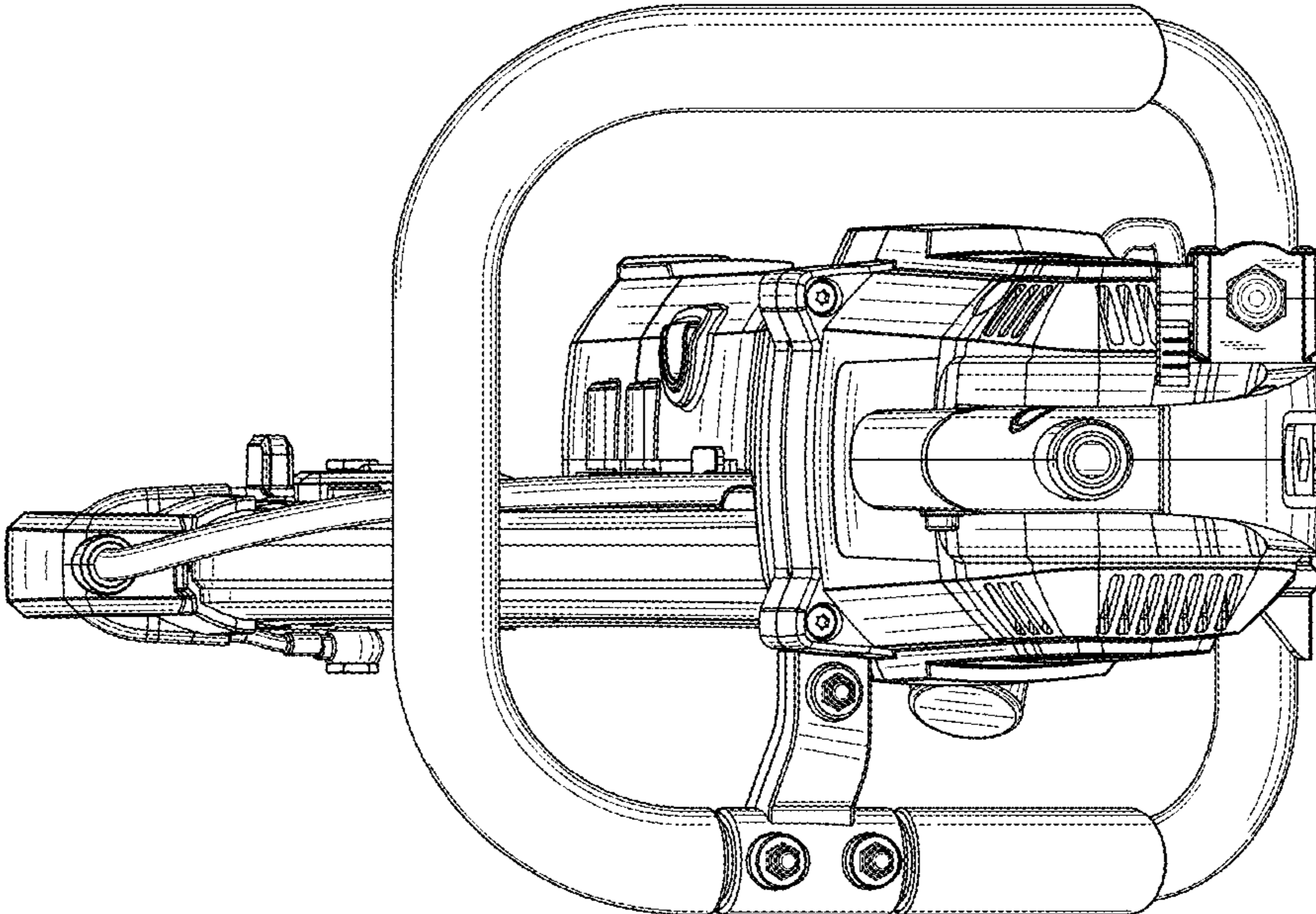


Fig. 6

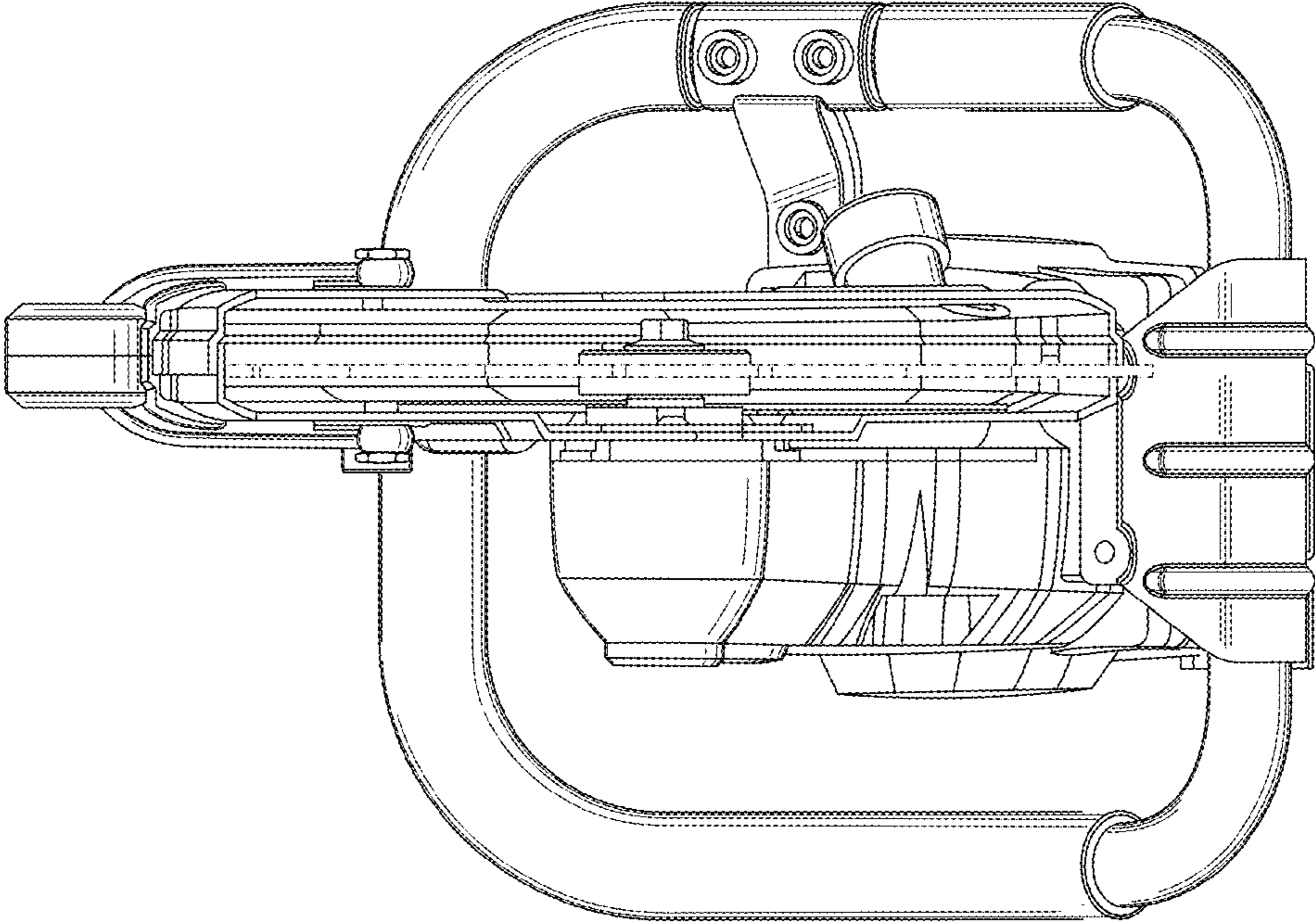


Fig. 7