



US00D941647S

(12) **United States Design Patent**  
**Winter**

(10) **Patent No.:** **US D941,647 S**  
(45) **Date of Patent:** **\*\* Jan. 25, 2022**

- (54) **BARTENDER SET**
- (71) Applicant: **Philip Martin Winter**, Harveys Lake, PA (US)
- (72) Inventor: **Philip Martin Winter**, Harveys Lake, PA (US)
- (\*\*) Term: **15 Years**
- (21) Appl. No.: **29/723,265**
- (22) Filed: **Feb. 5, 2020**
- (51) **LOC (13) Cl.** ..... **06-04**
- (52) **U.S. Cl.**  
USPC ..... **D7/701**
- (58) **Field of Classification Search**  
USPC ..... D7/701, 707, 708, 600.1-600.4;  
D6/682.2, 552.2, 525, 527, 528, 534, 535;  
D3/313  
CPC ..... A47B 73/00; A47B 73/006; A47B 73/004;  
A47B 13/16; A47G 23/0641; A47G  
23/06; A47G 23/0208; A47G 23/02;  
A47G 23/0241; A47F 5/16; A47F 7/28;  
A47F 7/283; B25H 3/04; A47J 47/16  
See application file for complete search history.

- D381,515 S \* 7/1997 Haynes ..... D24/224
  - 6,126,256 A \* 10/2000 Doces, II ..... A47B 81/04  
211/71.01
  - 6,283,566 B1 \* 9/2001 Doces ..... A47B 81/04  
211/71.01
  - D505,841 S \* 6/2005 Fiedeler ..... D6/525
  - D571,136 S 6/2008 Kramer
  - D594,293 S 6/2009 Hassold
- (Continued)

- (56) **References Cited**  
U.S. PATENT DOCUMENTS
- D127,900 S \* 6/1941 Block ..... D6/699
- D198,098 S \* 4/1964 Kaneko ..... D6/569
- D231,594 S \* 5/1974 Demers ..... D7/701
- 4,220,245 A 9/1980 Corcoran
- D263,784 S 4/1982 Butler et al.
- D300,290 S 3/1989 Moberg
- D301,575 S \* 6/1989 Crawford, Jr. .... D13/119
- D302,738 S 8/1989 Doyle
- 4,947,991 A \* 8/1990 Snell ..... A47B 13/16  
206/427
- 4,973,018 A 11/1990 Agor
- D325,149 S 4/1992 Ancona et al.
- D329,359 S \* 9/1992 Eggen ..... D19/77

OTHER PUBLICATIONS

Amazon.com, LEENE 19 Piece Bartender Kit, pp. 1-13, ASIN: 07ZJG1QRF, date first available Nov. 23, 2019. (Year: 2019).\*

(Continued)

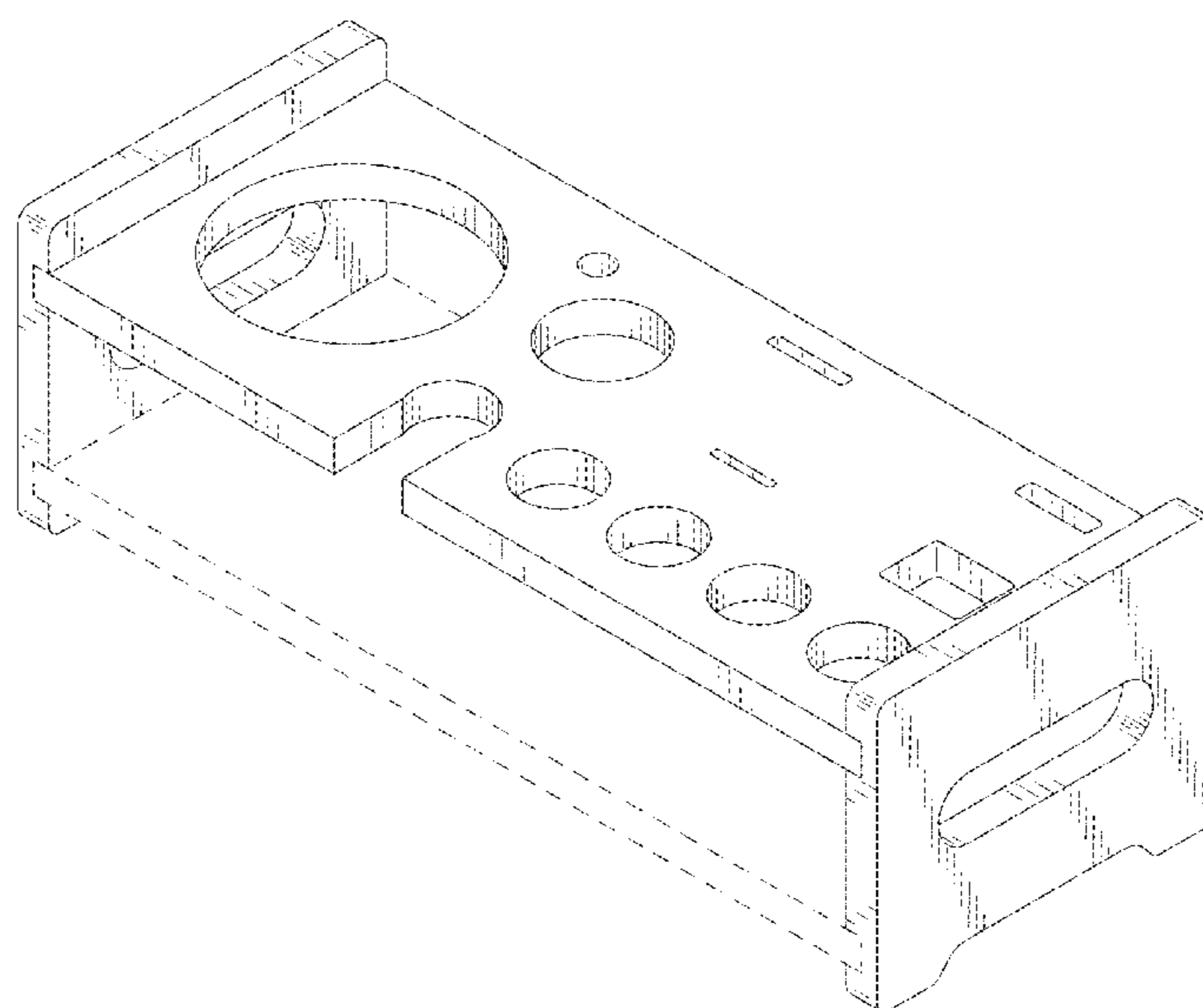
*Primary Examiner* — Terry A Wallace  
(74) *Attorney, Agent, or Firm* — Dunlap Bennett & Ludwig, PLLC

(57) **CLAIM**  
The ornamental design for a bartender set, as shown and described.

**DESCRIPTION**

FIG. 1 is a top front perspective view of a bartender set, showing my new design;  
FIG. 2 is a front elevation view thereof;  
FIG. 3 is a rear elevation view thereof;  
FIG. 4 is a right-side elevation view thereof, the left-side elevation view being a mirror image thereof;  
FIG. 5 is a top plan view thereof;  
FIG. 6 is a bottom plan view thereof; and,  
FIG. 7 is a top front perspective view of the bartender set shown in use.  
The broken lines showing bartender accoutrements in FIG. 7 depicts environmental subject matter that forms no part of the claimed design, while the remaining broken lines shown in the drawings depict portions of the bartender set that form no part of the claimed design.

**1 Claim, 4 Drawing Sheets**



(56)

**References Cited**

U.S. PATENT DOCUMENTS

D608,609 S 1/2010 Eaton  
D614,426 S 4/2010 Mayer  
D634,541 S \* 3/2011 Gutierrez ..... D3/313  
D647,667 S 10/2011 Siklosi  
D649,416 S \* 11/2011 Tietjen ..... D7/707  
D705,618 S 5/2014 Reid, Jr.  
D762,404 S 8/2016 Williams  
D786,029 S \* 5/2017 Pannell ..... D7/708  
D796,277 S 9/2017 Stiffel  
D813,578 S 3/2018 Polvadore  
D817,105 S 5/2018 Stuart et al.  
D817,728 S \* 5/2018 Brown ..... D7/701  
D821,122 S 6/2018 Wang  
D837,587 S 1/2019 Villalovos et al.  
D847,269 S 4/2019 Leung  
D854,759 S 7/2019 Elliott et al.  
D857,430 S 8/2019 Ravid  
D859,894 S 9/2019 Smith et al.  
D907,450 S \* 1/2021 Yang ..... D7/701  
D911,789 S \* 3/2021 Wang ..... D7/701  
2016/0120349 A1 \* 5/2016 Boyatt ..... A47G 23/0641  
206/562

OTHER PUBLICATIONS

Amazon.com, Esmula Bartender Kit, pp. 1-13, ASIN: B0839HYQQ5,  
date first available Dec. 30, 2019. (Year: 2019).\*

\* cited by examiner

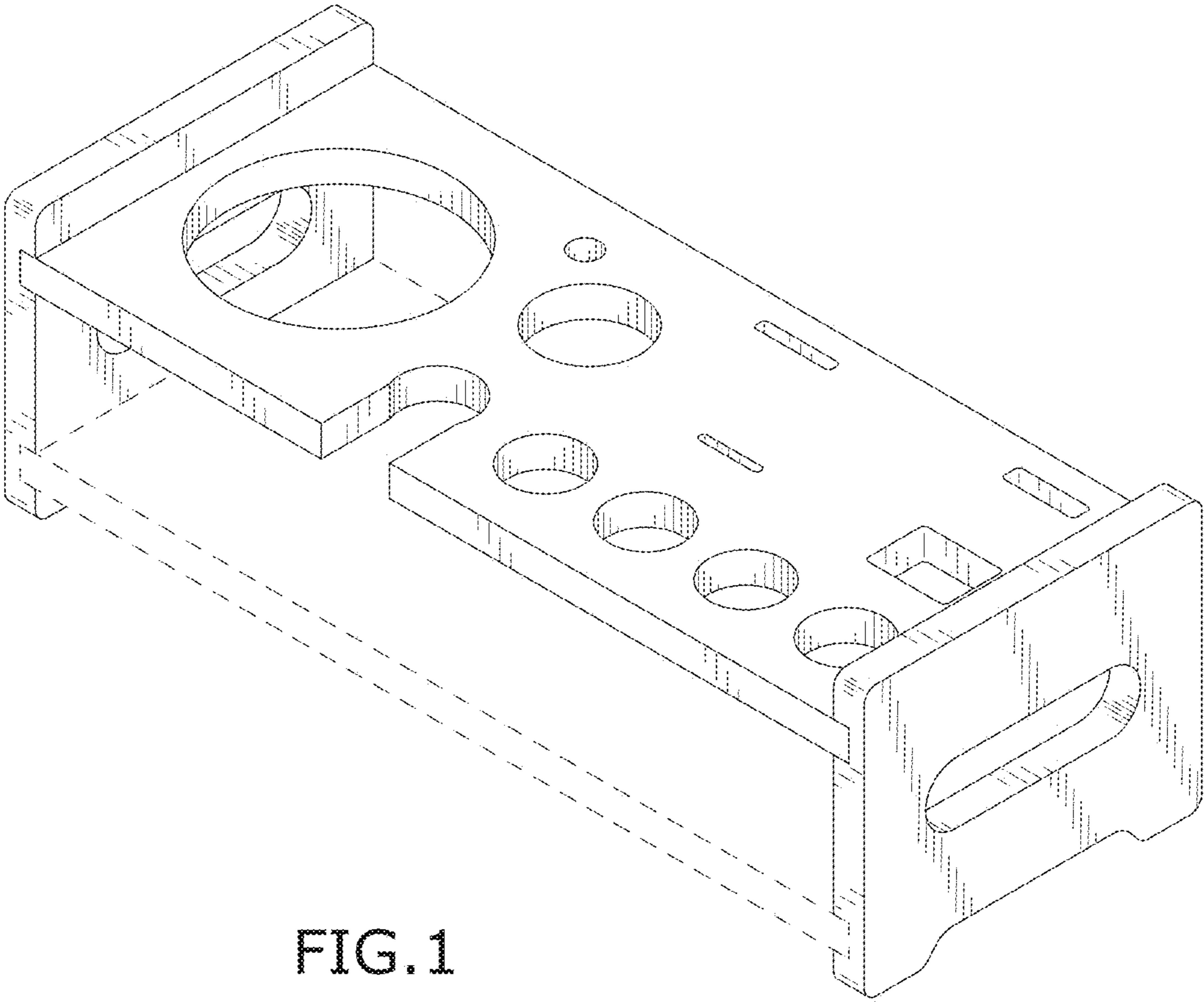


FIG. 1

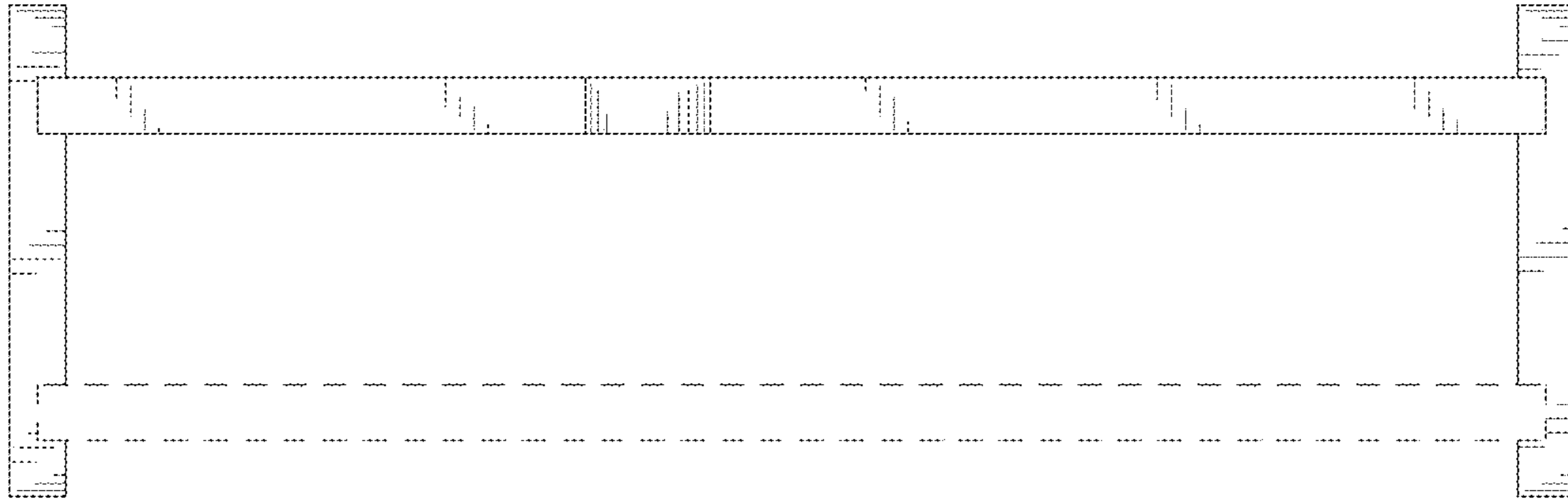


FIG. 2

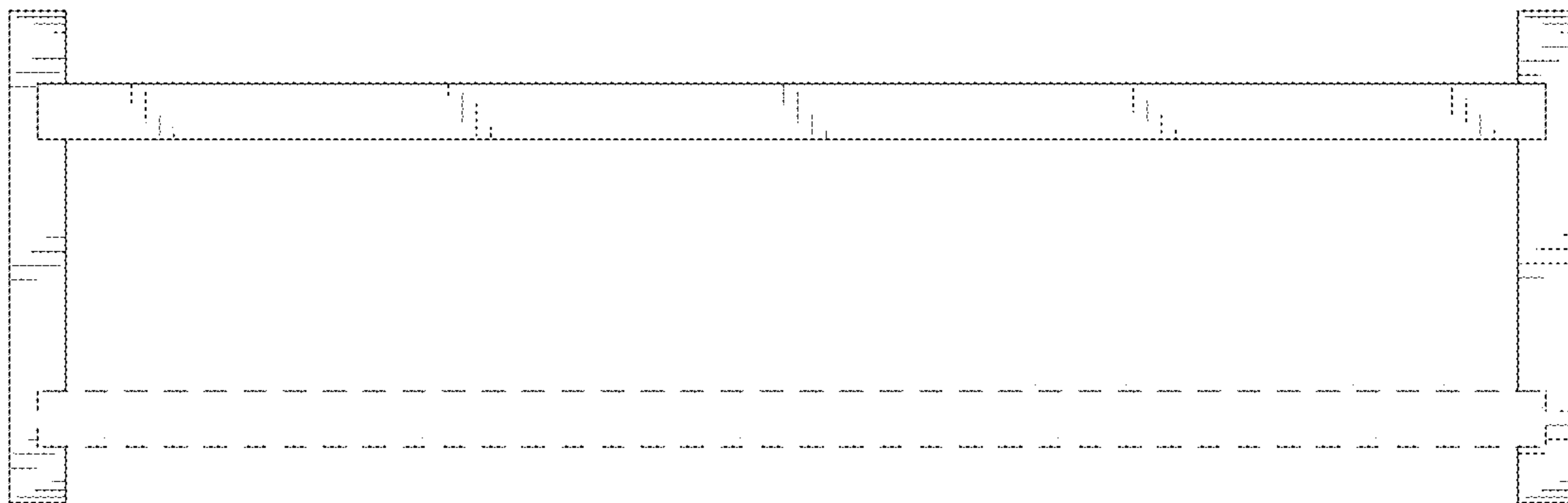


FIG. 3

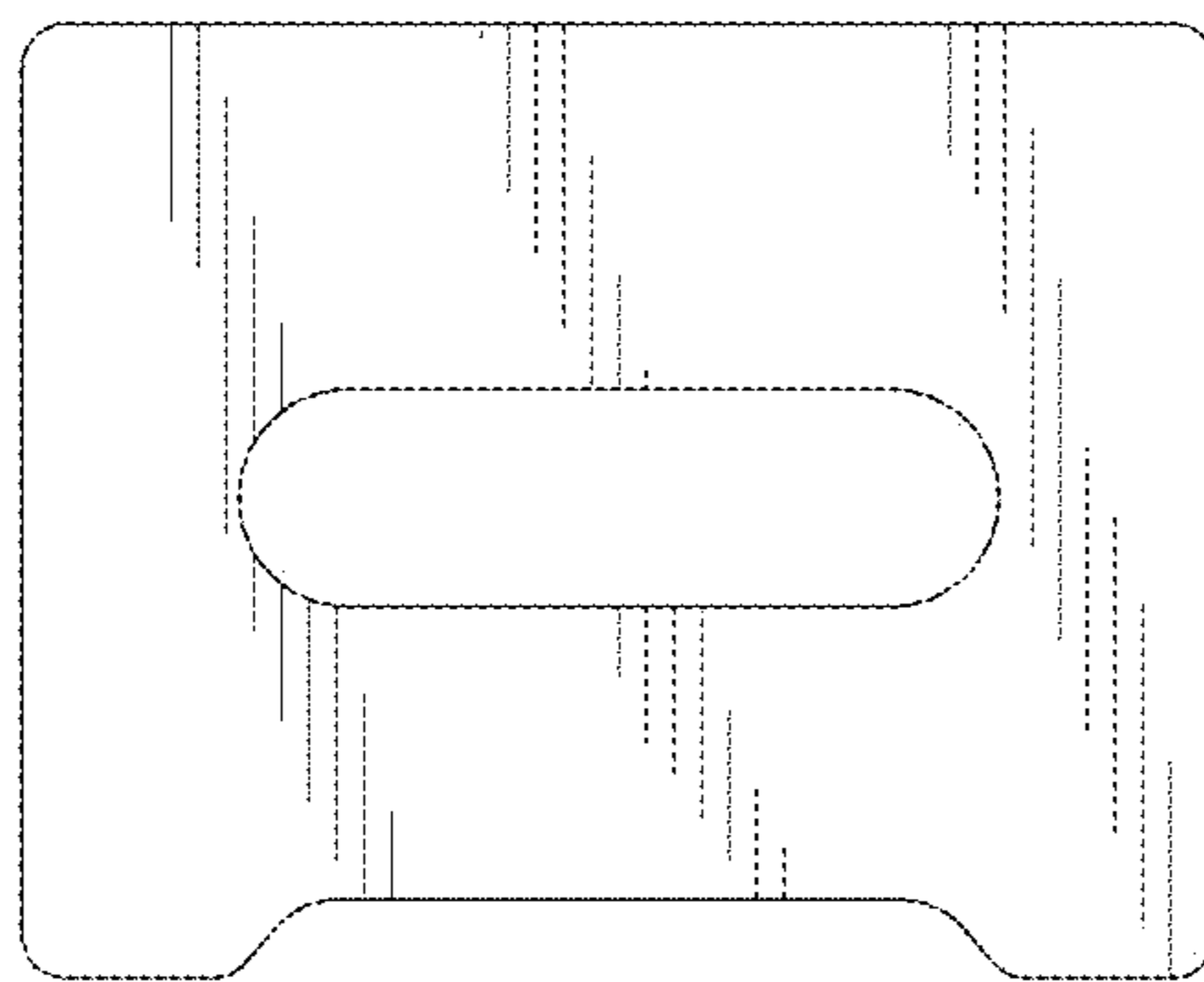


FIG. 4

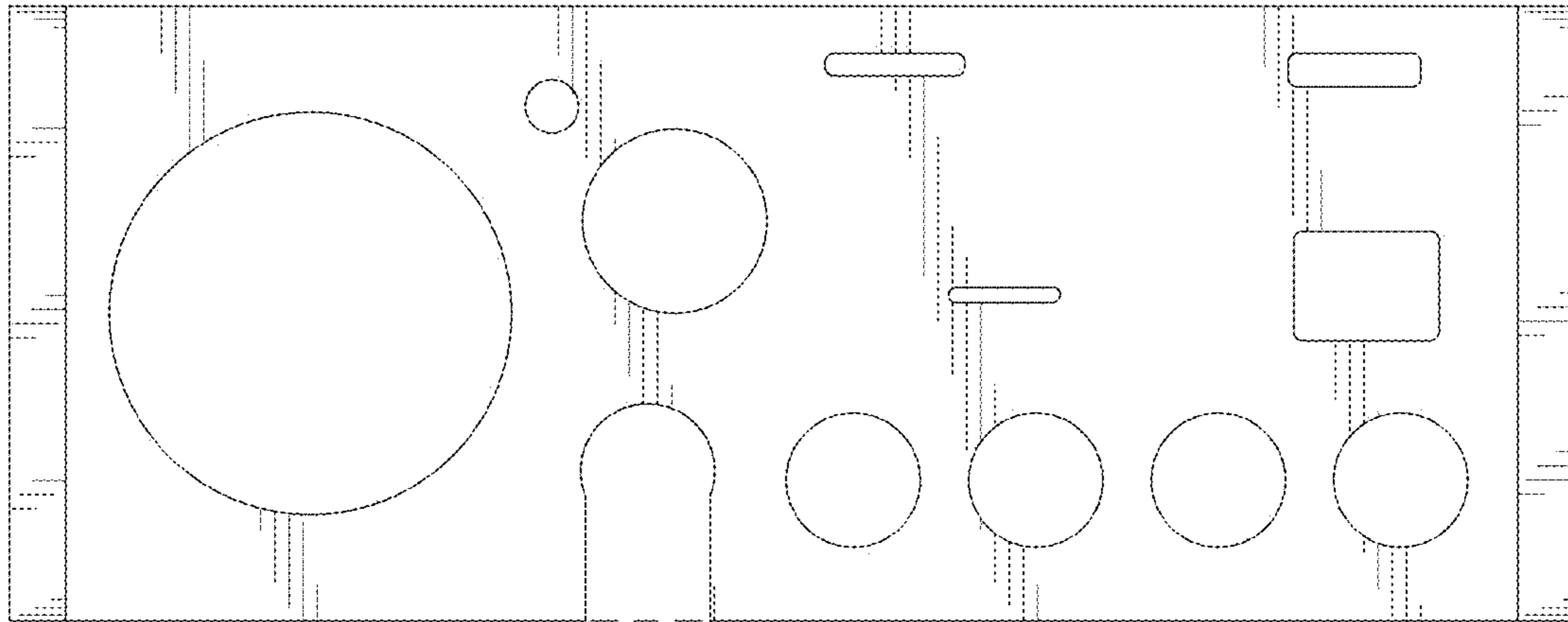


FIG. 5



FIG. 6

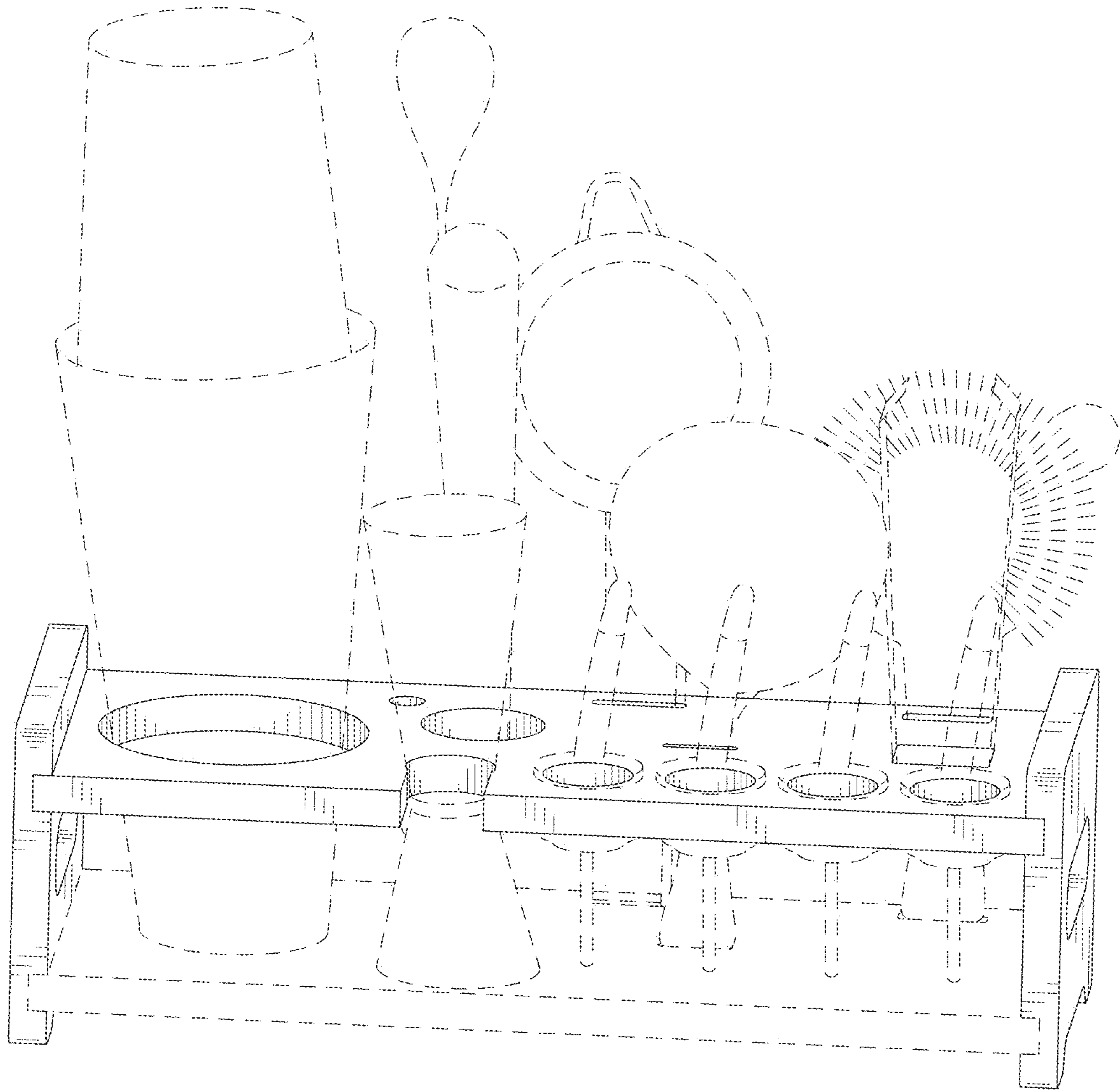


FIG. 7