



US00D941645S

(12) **United States Design Patent** (10) **Patent No.:** **US D941,645 S**  
**Gustafson** (45) **Date of Patent:** **\*\* Jan. 25, 2022**

(54) **KABOB SKEWER**  
(71) Applicant: **Charles B. Gustafson**, Littleton, CO (US)  
(72) Inventor: **Charles B. Gustafson**, Littleton, CO (US)  
(\*\*) Term: **15 Years**  
(21) Appl. No.: **29/783,253**  
(22) Filed: **May 12, 2021**  
(51) **LOC (13) Cl.** ..... **07-02**  
(52) **U.S. Cl.**  
USPC ..... **D7/683**  
(58) **Field of Classification Search**  
USPC ..... D7/368, 669, 683, 684, 412, 682, 690;  
D11/119, 121, 131, 117, 141  
CPC .. A47G 33/0845; A47G 33/08; A47G 21/023;  
A47G 21/02; A47J 43/18; A47J 43/00;  
A47J 43/28; A47J 43/283; A47J 37/04;  
A47J 37/049; A47J 37/0786; A22C 17/02;  
A22C 17/006; A22C 17/00  
See application file for complete search history.

(56) **References Cited**

**U.S. PATENT DOCUMENTS**

D93,890 S \* 11/1934 Raymond ..... D11/121  
2,651,251 A 9/1953 Brown  
D209,517 S \* 12/1967 Burnbaum ..... D11/119  
D361,699 S 8/1995 McHugh  
D413,051 S \* 8/1999 Torelli ..... D7/684  
D449,792 S \* 10/2001 Nadeau ..... D11/117  
D463,317 S \* 9/2002 Bull ..... D11/131  
D513,573 S 1/2006 Settele  
7,118,146 B2 10/2006 Settele  
D542,606 S 5/2007 Bardolet

(Continued)

**OTHER PUBLICATIONS**

Amazon.com, AMS 24PC Christmas Tree Ornaments Aluminum Spiral Strip Hangings, pp. 1-13, ASIN: B097D66NVB, first date available Jul. 16, 2019. (Year: 2019).\*

*Primary Examiner* — Terry A Wallace  
(74) *Attorney, Agent, or Firm* — Patricia C. Brzostowicz; Superior Patent Group, LLC

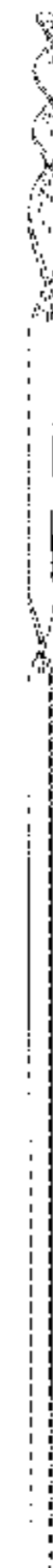
(57) **CLAIM**

The ornamental design for a kabob skewer, as shown and described.

**DESCRIPTION**

FIG. 1 is a top and bottom plan view, wherein the bottom plan view is a mirror image thereof of the top view, of the handle end of the kabob skewer;  
FIG. 2 is a right side and left side elevation, wherein the left side elevation is a mirror image thereof of the right side elevation, of the handle end of the kabob skewer;  
FIG. 3 is a perspective view of the handle end of the kabob skewer;  
FIG. 4 is a top and bottom plan view, wherein the bottom plan view is a mirror image thereof of the top view, of the tip end of a long kabob skewer;  
FIG. 5 is a right side and left side elevation, wherein the left side elevation is a mirror image thereof of the right side elevation, of the tip end of a long kabob skewer;  
FIG. 6 is a perspective view of the tip end of a long kabob skewer;  
FIG. 7 is a front view from the tip end of the kabob skewer;  
FIG. 8 is a rear view from the handle end of the kabob skewer;  
FIG. 9 is a right side and left side perspective view, wherein the left side perspective is a mirror image thereof of the right side perspective, of a long kabob skewer; and,  
FIG. 10 is a right side and left side perspective view, wherein the left side perspective is a mirror image thereof of the right side perspective, of a short kabob skewer.  
The dotted lines are for purposes of illustrating a use and form no part of the claimed design.

**1 Claim, 2 Drawing Sheets**



(56)

**References Cited**

U.S. PATENT DOCUMENTS

8,042,850 B2 10/2011 Jones  
D693,654 S \* 11/2013 Borovicka ..... D7/683  
D869,917 S \* 12/2019 Zemel ..... D7/683

\* cited by examiner

Fig. 1

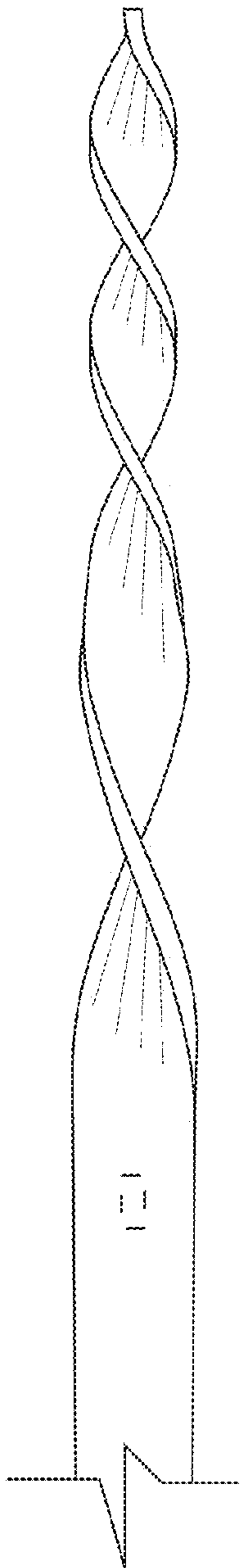


Fig. 2

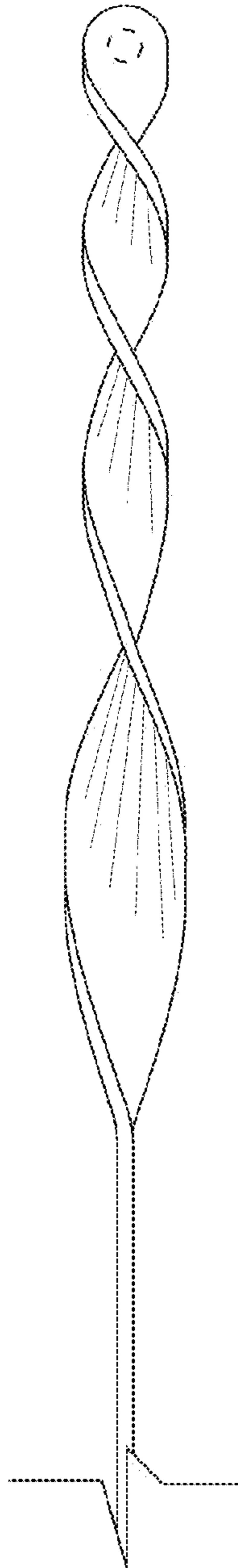


Fig. 3

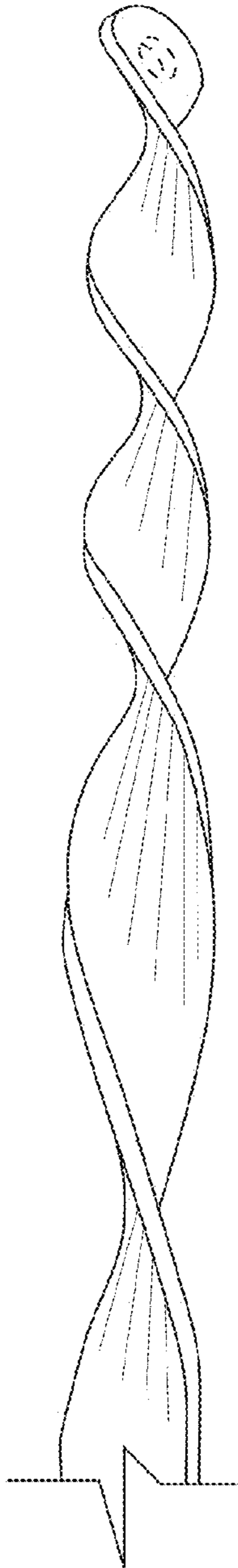


Fig. 4

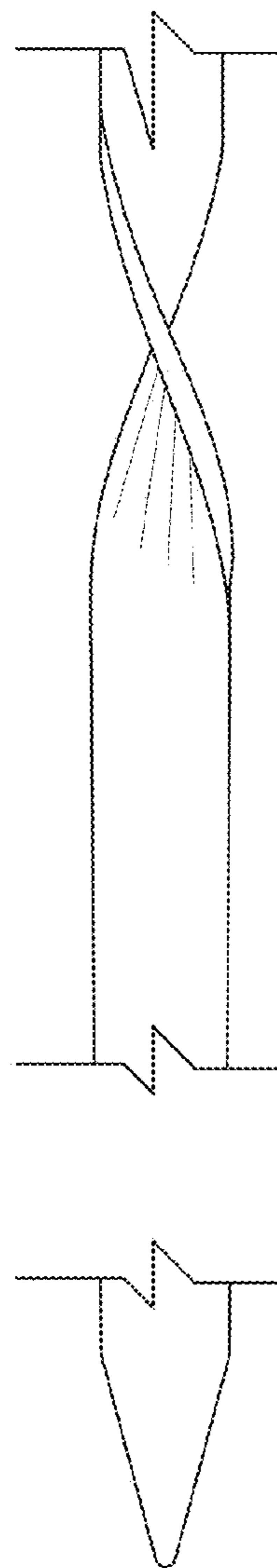


Fig. 5

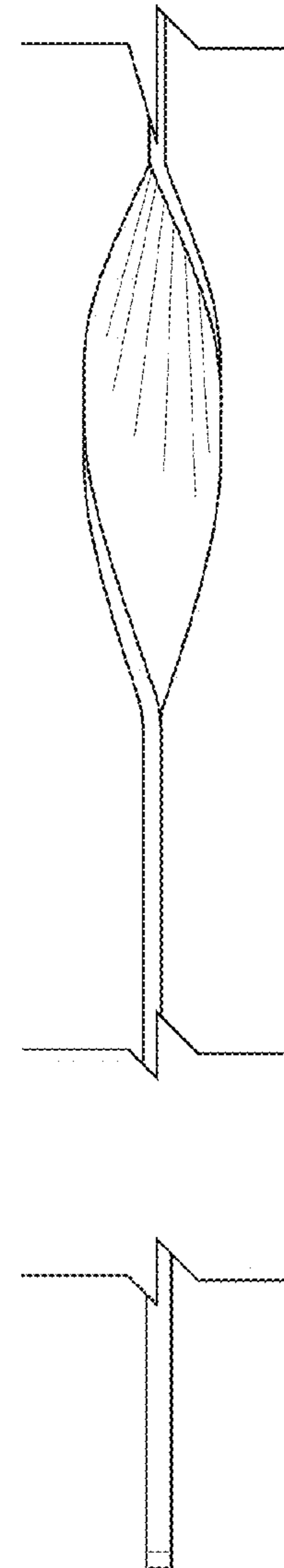


Fig. 6

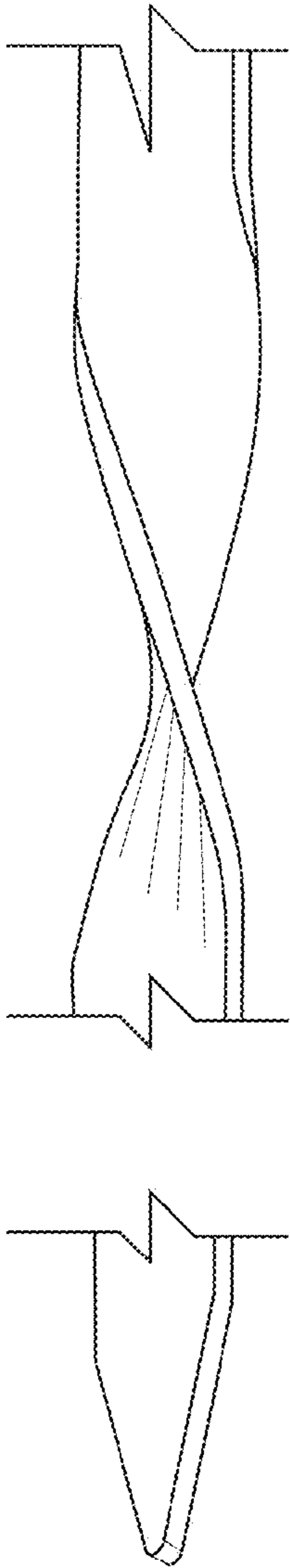


Fig. 7

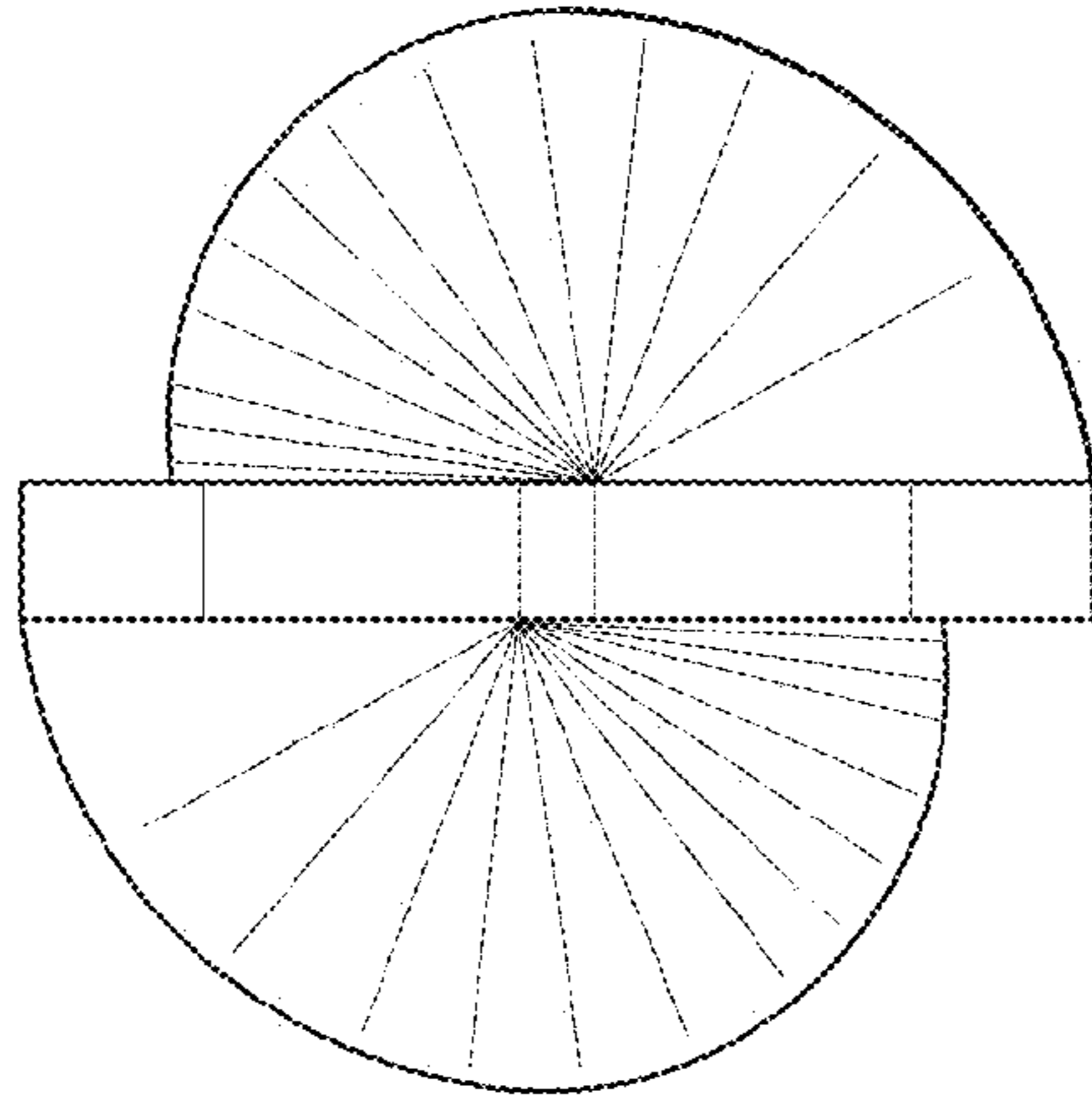


Fig. 8

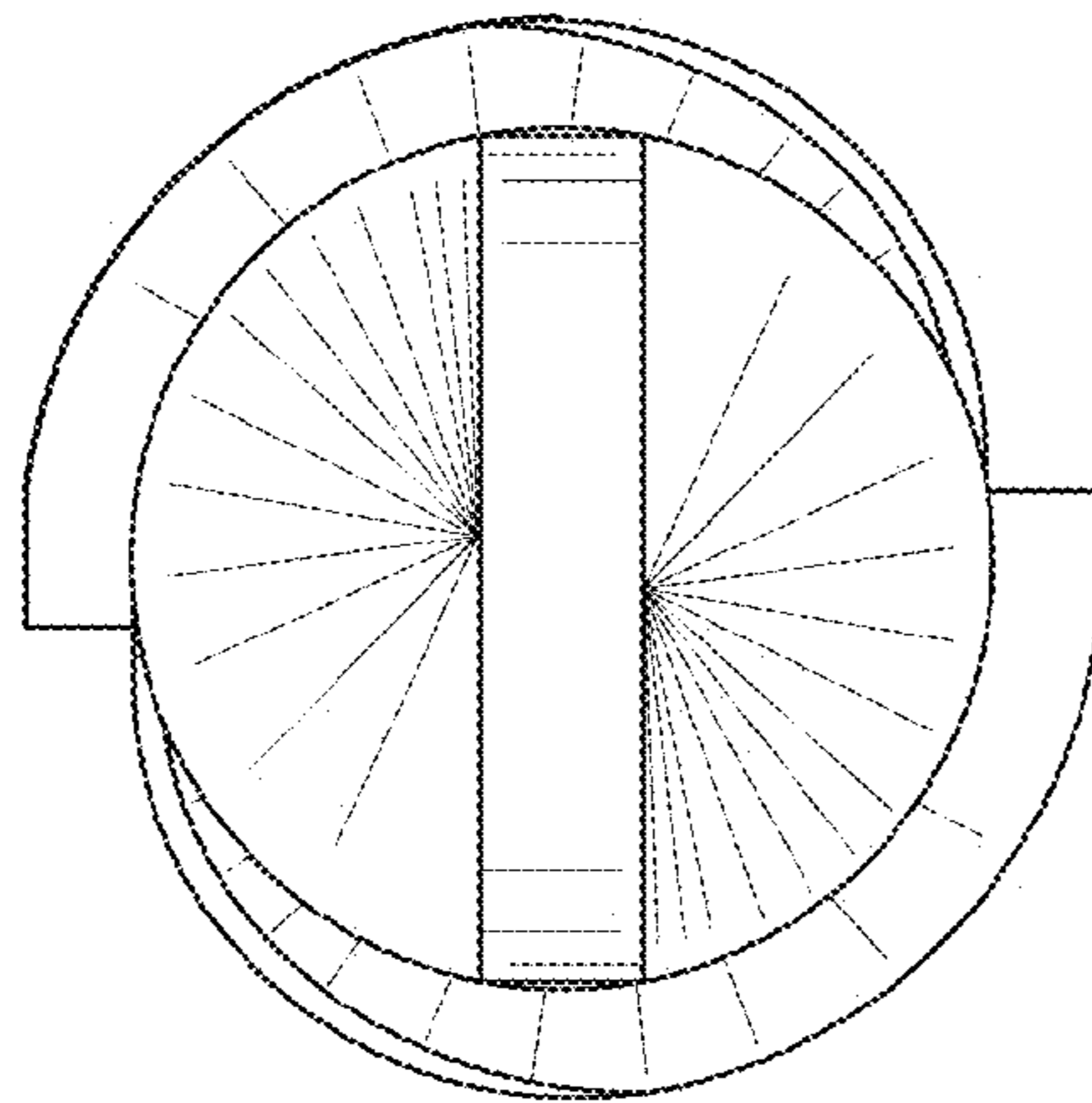


Fig. 9

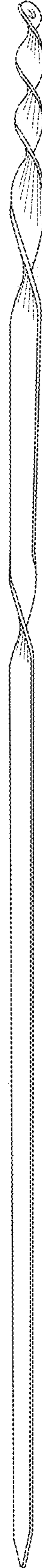


Fig. 10

