



US00D941644S

(12) **United States Design Patent**
McMahon

(10) **Patent No.:** **US D941,644 S**
(45) **Date of Patent:** **** Jan. 25, 2022**

(54) **KNIFE HANDLE**
(71) Applicant: **Custom IP, LLC**, Melbourne, FL (US)
(72) Inventor: **Phillip J. McMahon**, Melbourne, FL (US)
(73) Assignee: **Custom IP, LLC**, Melbourne, FL (US)
(**) Term: **15 Years**
(21) Appl. No.: **29/716,485**

(22) Filed: **Dec. 10, 2019**
(51) **LOC (13) Cl.** **07-03**
(52) **U.S. Cl.**
USPC **D7/664**
(58) **Field of Classification Search**
USPC D7/642, 643, 644, 649, 650-652, 664,
D7/669-671, 673, 693-696, 381, 387,
D7/393, 395, 213; D8/93, 97-100, 107,
D8/300, 321; D22/118; 30/163,
30/142-150, 161, 295, 315, 329,
30/340-348, 353-356

See application file for complete search history.

(56) **References Cited**

U.S. PATENT DOCUMENTS

D354,881 S * 1/1995 Huff D7/401.2
D411,780 S * 7/1999 Muller D7/395
D446,689 S * 8/2001 Van Leeuwen D7/401.2
D448,610 S * 10/2001 Saunders D7/395
D450,993 S * 11/2001 Kayson D8/100
D458,516 S * 6/2002 Parlowski D7/649
D458,517 S * 6/2002 Parlowski D7/649
D458,810 S * 6/2002 Parlowski D7/649
D462,581 S * 9/2002 Parlowski D7/649

D468,593 S * 1/2003 Margolin D7/649
D519,018 S * 4/2006 Gardiner D8/99
D563,160 S * 3/2008 Schmidt D7/395
D567,033 S * 4/2008 Seidenfaden D7/649
D623,895 S * 9/2010 Hirai D7/401.2
D751,861 S * 3/2016 Yamada D7/401.2
D805,358 S * 12/2017 Cutt D7/622
D814,886 S * 4/2018 McMahon D7/650
D837,616 S * 1/2019 McMahon D7/650
D845,086 S * 4/2019 McMahon D7/650
D845,087 S * 4/2019 McMahon D7/650
D845,088 S * 4/2019 McMahon D7/650
D847,988 S * 5/2019 Schnitzer D24/144

* cited by examiner

Primary Examiner — Michael C Stout

Assistant Examiner — Katrina N Gonzalez

(74) *Attorney, Agent, or Firm* — Brian S. Steinberger;
Hilary F. Steinberger; Law Offices of Brian S.
Steinberger, P.A.

(57) **CLAIM**

The ornamental design for a knife handle, as shown and described.

DESCRIPTION

FIG. 1 is an top left perspective view of a knife handle.
FIG. 2 is a bottom right perspective view of the knife handle of FIG. 1.

FIG. 3 is a left side view of the knife handle of FIG. 1.
FIG. 4 is a right side view of the knife handle of FIG. 1.
FIG. 5 is a top view of the knife handle of FIG. 1; and,
FIG. 6 is a bottom view of the knife handle of FIG. 1.

The broken lines in FIGS. 1-6 illustrate environmental structure that form no part of the claimed design.

1 Claim, 5 Drawing Sheets

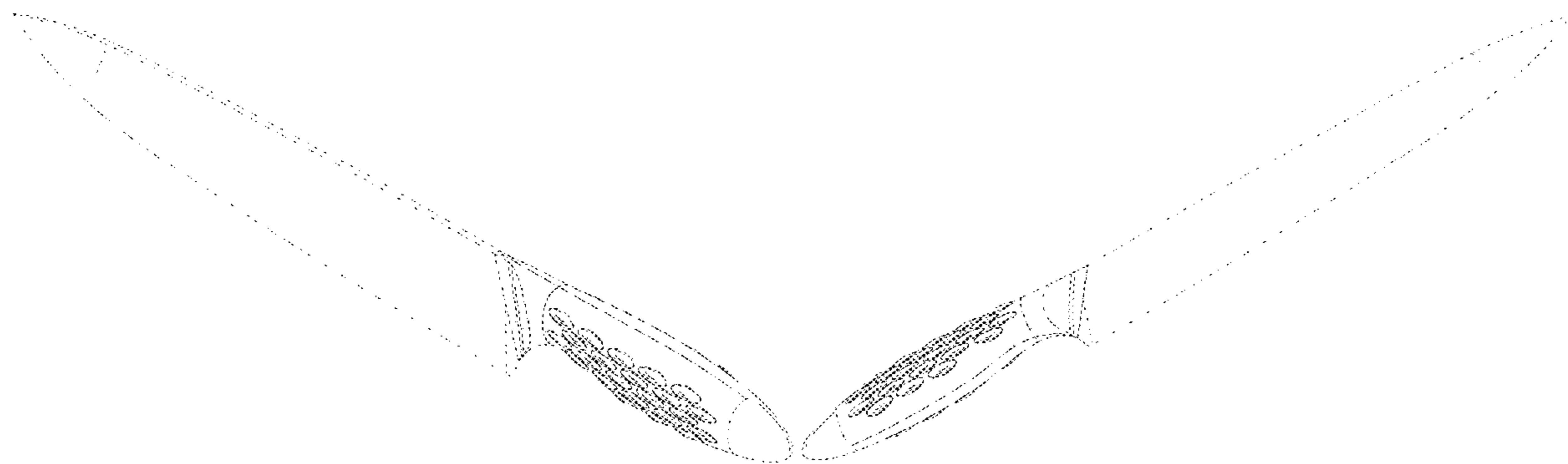


FIG. 1

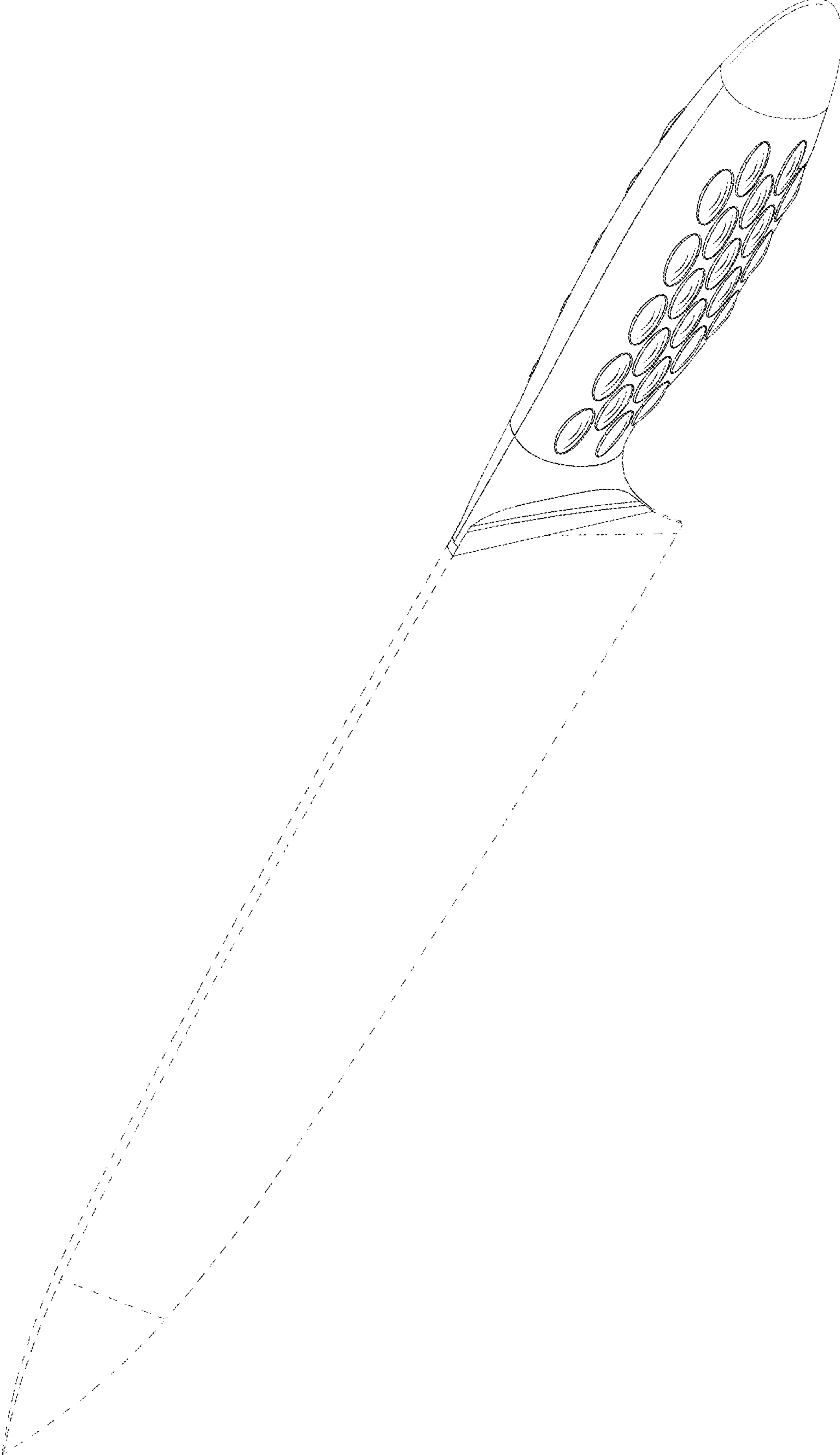


FIG. 2

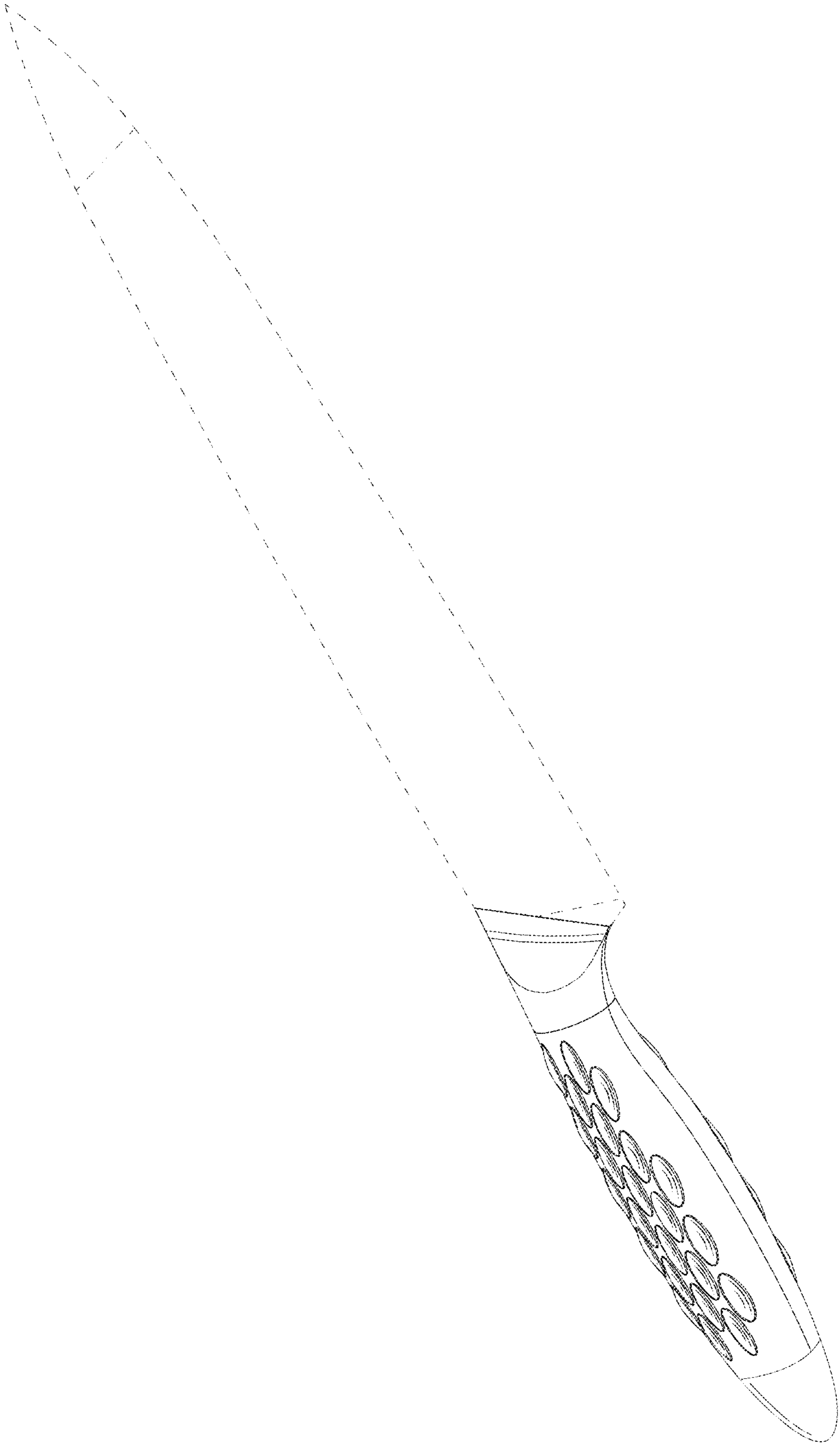


FIG. 3

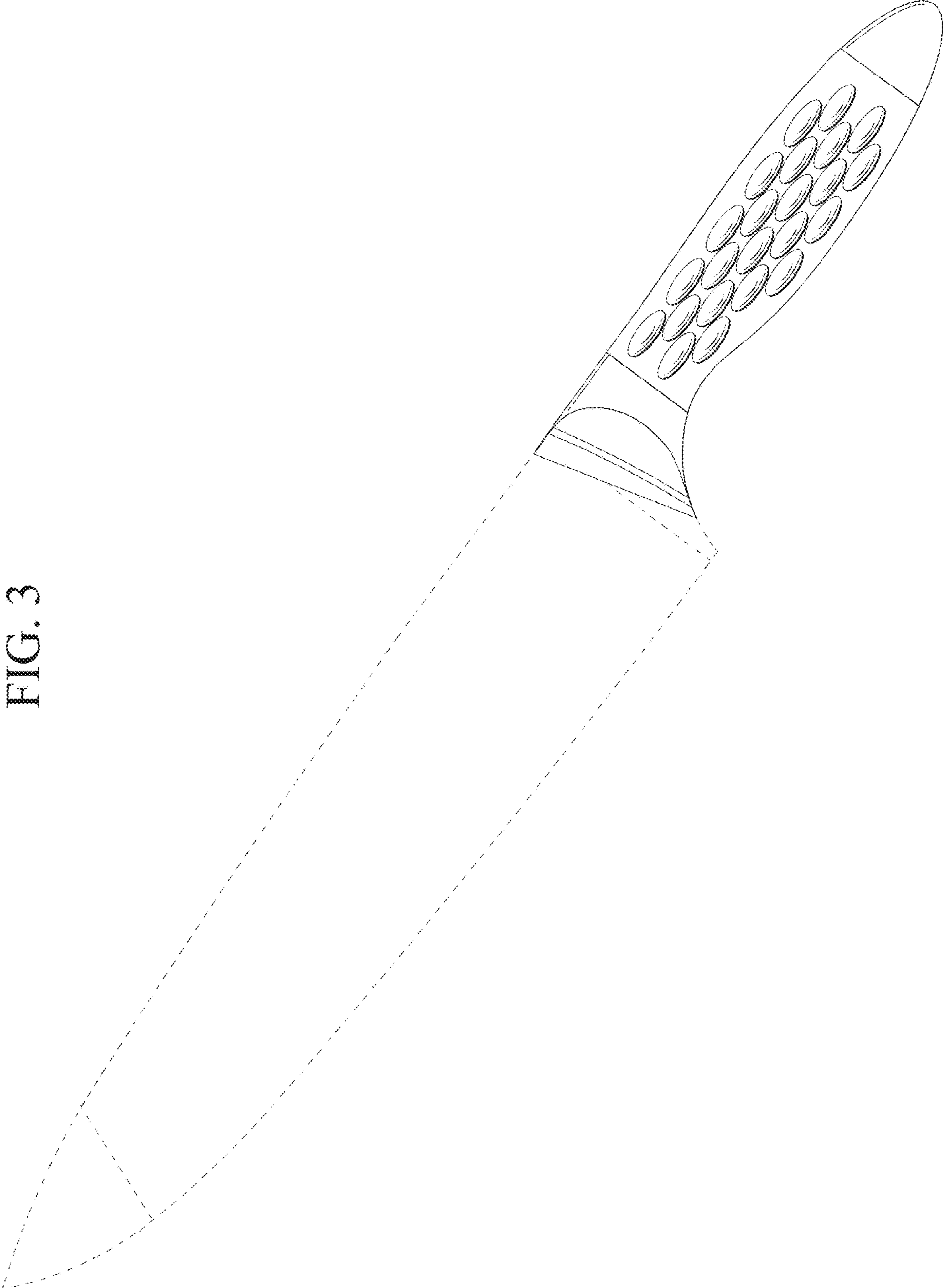


FIG. 4

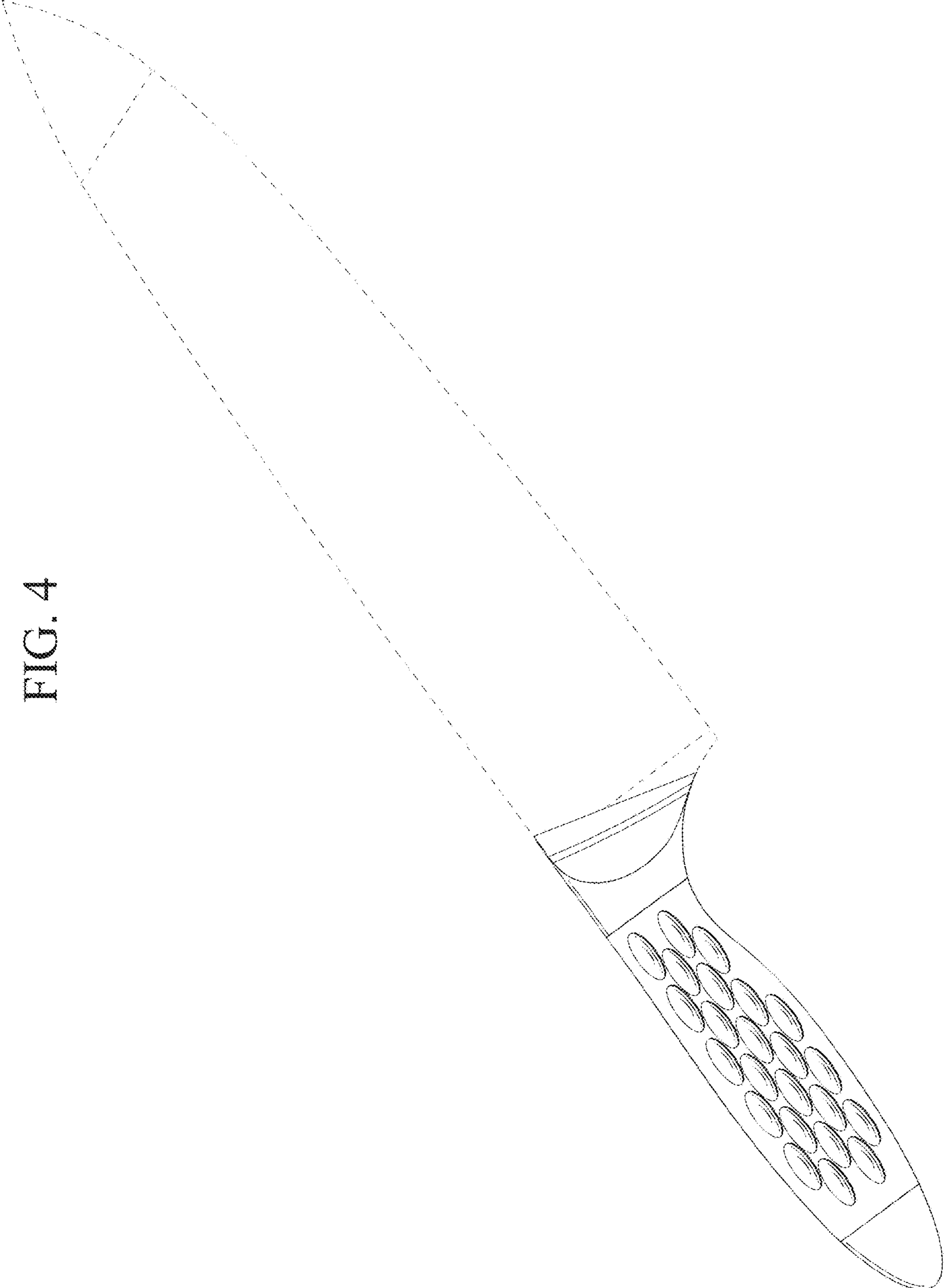


FIG. 5

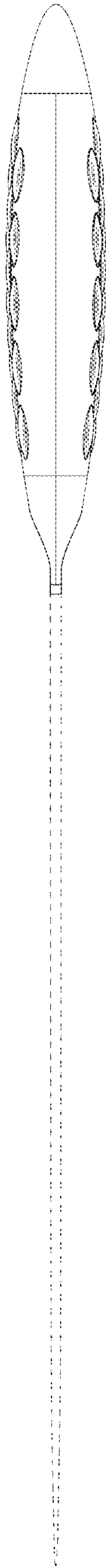


FIG. 6

