



US00D941643S

(12) **United States Design Patent**  
**Ying**

(10) **Patent No.:** **US D941,643 S**

(45) **Date of Patent:** **\*\* Jan. 25, 2022**

(54) **FORK**

(71) Applicant: **NINGBO GECEN PROMOTION & GIFT CO., LTD**, Ningbo (CN)

(72) Inventor: **Weijin Ying**, Ningbo (CN)

(73) Assignee: **NINGBO GECEN PROMOTION & GIFT CO., LTD**, Ningbo (CN)

(\*\*) Term: **15 Years**

(21) Appl. No.: **29/711,770**

(22) Filed: **Nov. 1, 2019**

(51) **LOC (13) Cl.** ..... **07-03**

(52) **U.S. Cl.**  
USPC ..... **D7/653**

(58) **Field of Classification Search**  
USPC ..... D7/642-645, 653; 30/115, 129, 134,  
30/136, 137, 142, 147, 148, 149, 150;  
D24/194  
CPC ..... A47G 21/02; A47G 21/06; A47G 21/103;  
B26B 11/00; B26B 29/025  
See application file for complete search history.

(56) **References Cited**

**U.S. PATENT DOCUMENTS**

2,109,016	A *	2/1938	Ringer	.....	A47G 21/06
					30/143
2,439,882	A *	4/1948	Beddow	.....	A47G 21/06
					30/147
5,379,520	A *	1/1995	Collins	.....	B26B 29/025
					224/232
D405,705	S *	2/1999	Norcross	.....	D10/57
D533,075	S *	12/2006	Snedden	.....	D9/717
D746,644	S *	1/2016	Cai	.....	D7/643

D812,994	S *	3/2018	Mundhra	.....	D7/643
D812,995	S *	3/2018	Mundhra	.....	D7/643
D862,997	S *	10/2019	Miksovsky	.....	D7/643
2009/0178284	A1 *	7/2009	Lane	.....	B25G 1/04
					30/340
2015/0313394	A1 *	11/2015	Vidal	.....	A47G 21/04
					30/141
2016/0106265	A1 *	4/2016	Holmes	.....	B26B 11/00
					83/23

**OTHER PUBLICATIONS**

“Promotional utensil kit with carabiner \_ Giveaways” available Jan. 22, 2020, [online], [site visited Feb. 5, 2021]. Retrieved from Internet, URL: <https://www.4allpromos.com/product/utensil-kit-carabiner> (Year: 2020).\*

(Continued)

*Primary Examiner* — W. A. Teddy Falloway

*Assistant Examiner* — Katrina N Gonzalez

(74) *Attorney, Agent, or Firm* — Dragon Sun Law Firm, PC; Jinggao Li, Esq.

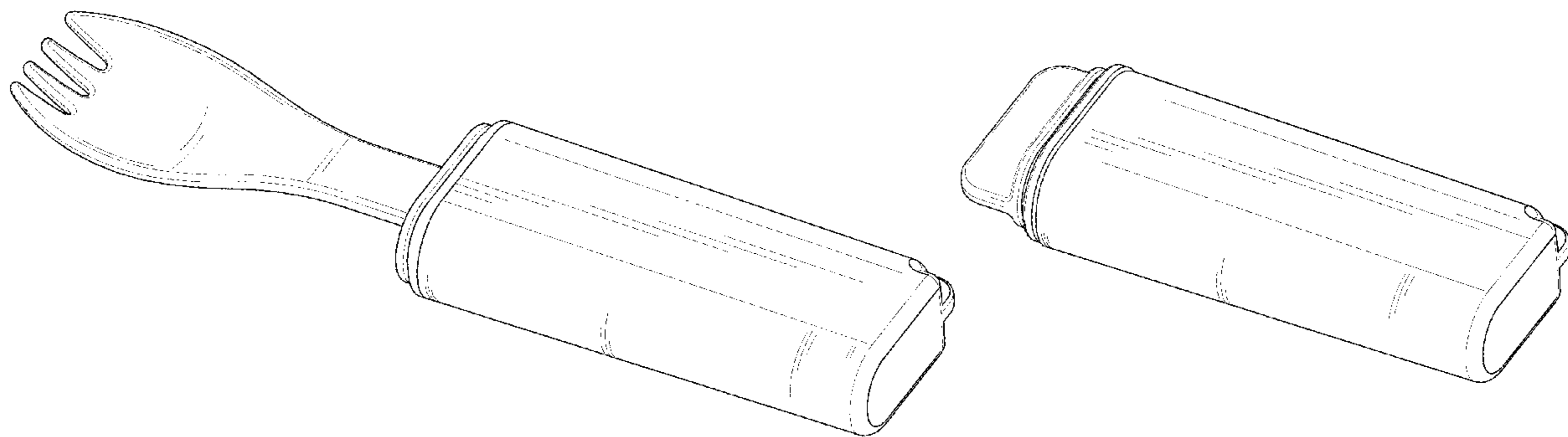
(57) **CLAIM**

The ornamental design for the fork, as shown and described.

**DESCRIPTION**

FIG. 1 is a perspective view of a fork in the unfolded configuration showing my new design; FIG. 2 is another perspective view of the fork in the folded configuration; FIG. 3 is a left view of FIG. 1; FIG. 4 is a right view of FIG. 1; FIG. 5 is a top view of FIG. 1; FIG. 6 is a bottom view of FIG. 1; FIG. 7 is a front view of FIG. 1; and, FIG. 8 is a rear view of FIG. 1.

**1 Claim, 8 Drawing Sheets**



(56)

**References Cited**

## OTHER PUBLICATIONS

“Amazon 4-in-1 Portable Reusable Travel Cutlery Set” available Jan. 7, 2020, [online], [site visited Feb. 5, 2021]. Retrieved from Internet, URL: [https://www.amazon.com/Portable-Reusable-Keychain-Travelling-Lightweight/dp/B083KHRH3H/ref=asc\\_df\\_B083KHRH3H/](https://www.amazon.com/Portable-Reusable-Keychain-Travelling-Lightweight/dp/B083KHRH3H/ref=asc_df_B083KHRH3H/) (Year: 2020).\*

“Buy 3 Pieces Flatware Set” available Oct. 14, 2019, [online], [site visited Feb. 5, 2021]. Retrieved from Internet, URL: <https://www.jollychic.com/p/3-pieces-flatware-set-portable-travel-spoon-fork-chopsticks-travel-goods-g0xdx0x-tfh-tq89io-24-a-rk-100-73.html#pages> (Year: 2019).\*

“SKIP\_HOP Easy-Fold Travel Spoons” available 2020, [online], [site visited Feb. 5, 2021]. Retrieved from Internet, URL: <https://www.buybuybaby.com/store/product/skip-hop-reg-easy-fold-travel-spoons-set-of-2/5391384> (Year: 2020).\*

“Camping Cutlery Kit” available Feb. 5, 2021, [online], [site visited Feb. 5, 2021]. Retrieved from Internet, URL: [https://www.alibaba.com/product-detail/camping-cutlery-kit-fork-knife-spoon\\_62082605269.html](https://www.alibaba.com/product-detail/camping-cutlery-kit-fork-knife-spoon_62082605269.html) (Year: 2021).\*

“Ice cream spoon + case” available Feb. 5, 2021, [online], [site visited Feb. 5, 2021]. Retrieved from Internet, URL: <https://www.lemnos.jp/en/archives/3958> (Year: 2021).\*

“Amazon Edison Non-Toxic Flat Edge Spoon” available Feb. 3, 2020, [online], [site visited Feb. 5, 2021]. Retrieved from Internet, URL: [https://www.amazon.com/Edison-Non-Toxic-Spoon-Groove-Characters/dp/B084GDMSQ6/ref=sr\\_1\\_269](https://www.amazon.com/Edison-Non-Toxic-Spoon-Groove-Characters/dp/B084GDMSQ6/ref=sr_1_269) (Year: 2020).\*

\* cited by examiner

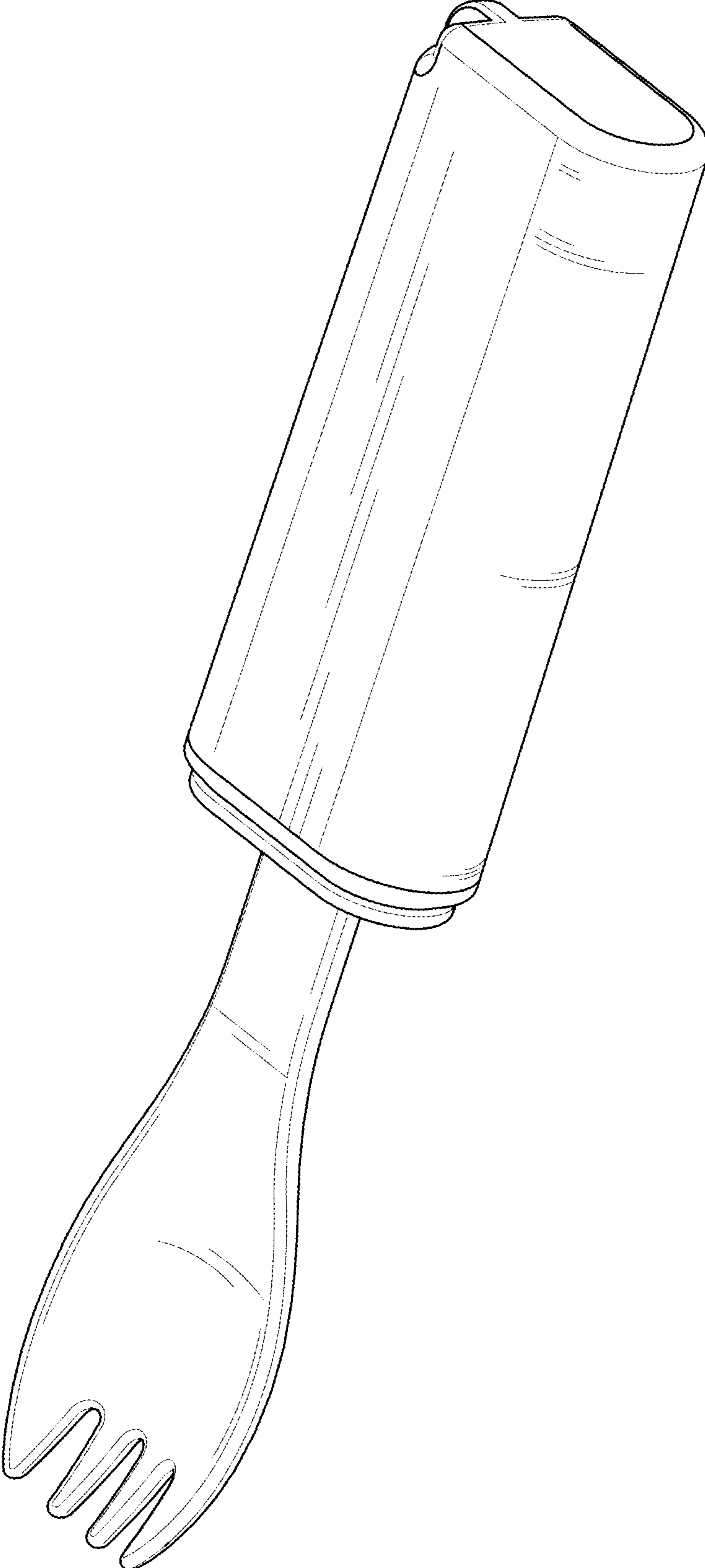


FIG 1

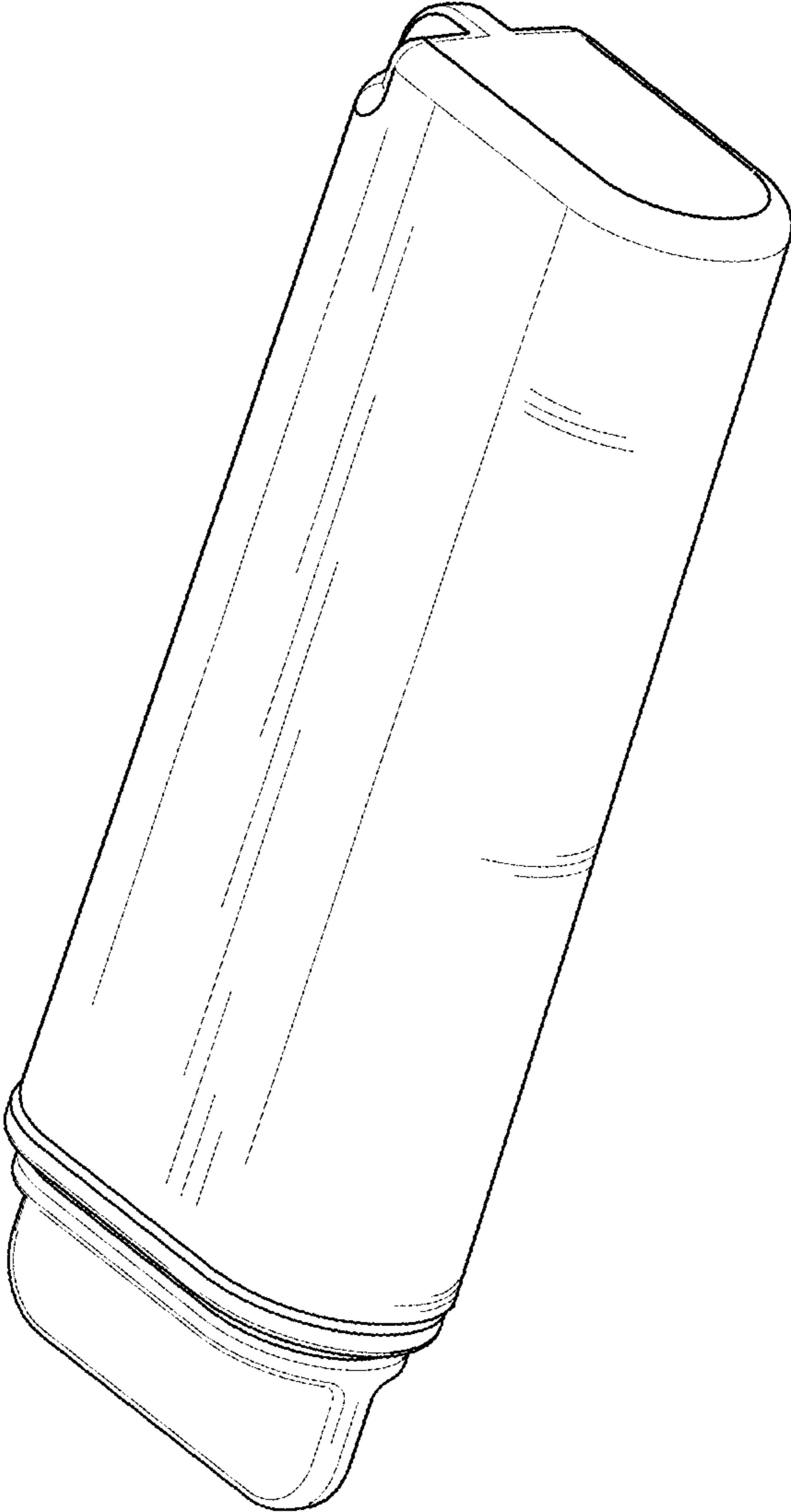


FIG 2

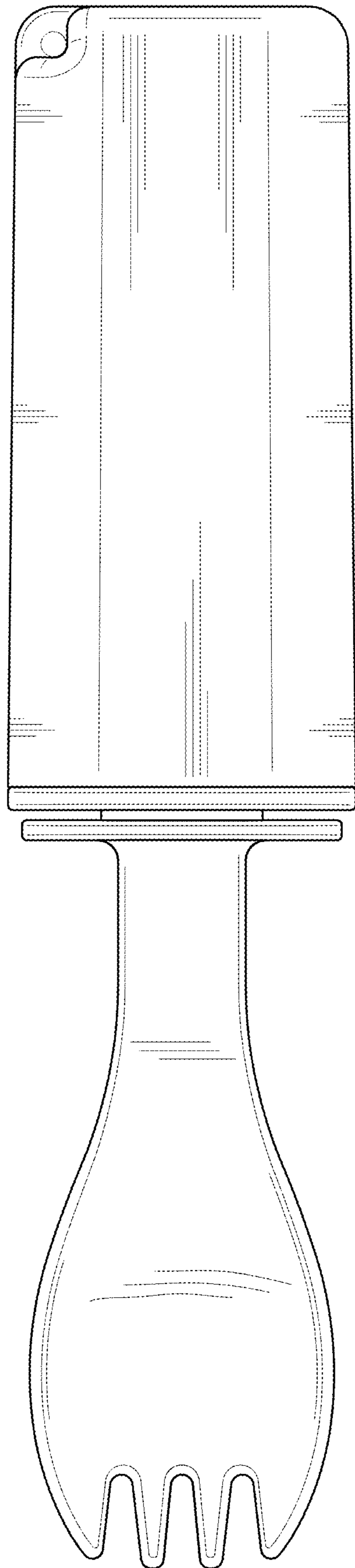


FIG 3

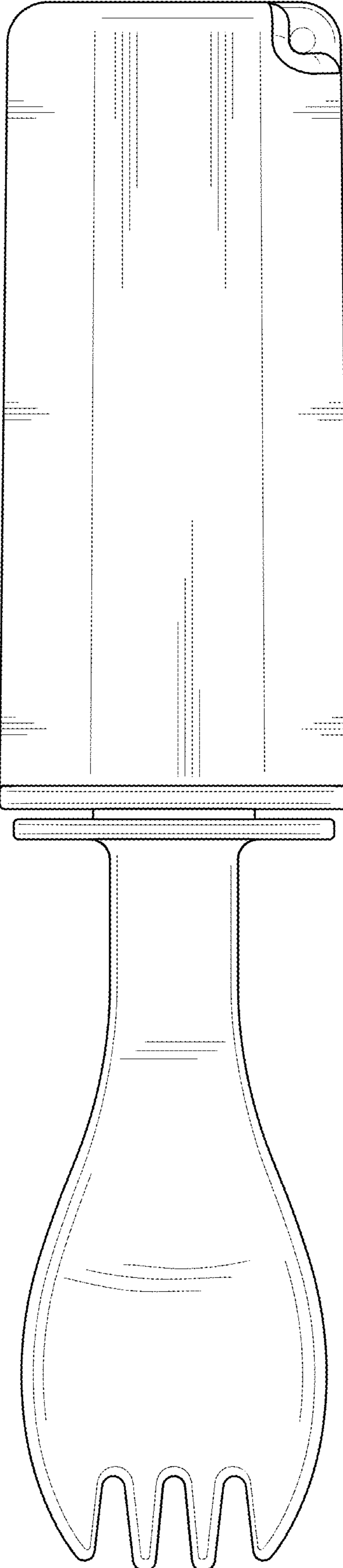


FIG 4

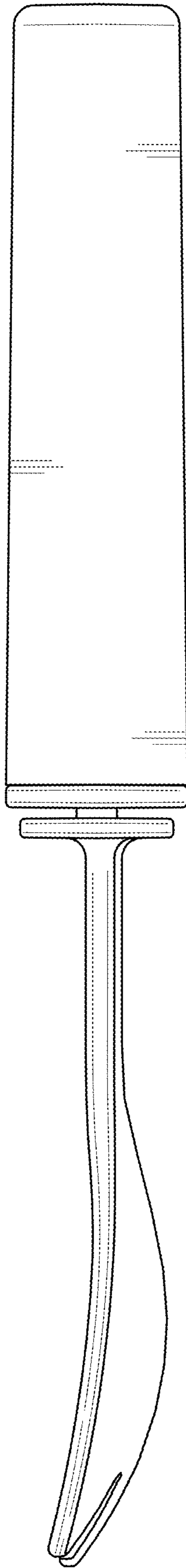


FIG 5

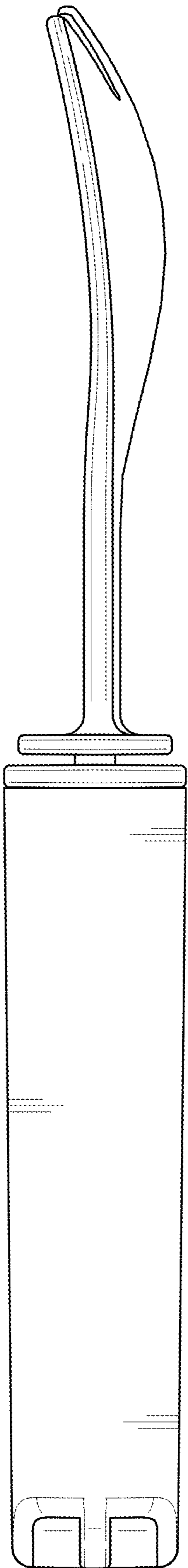


FIG 6



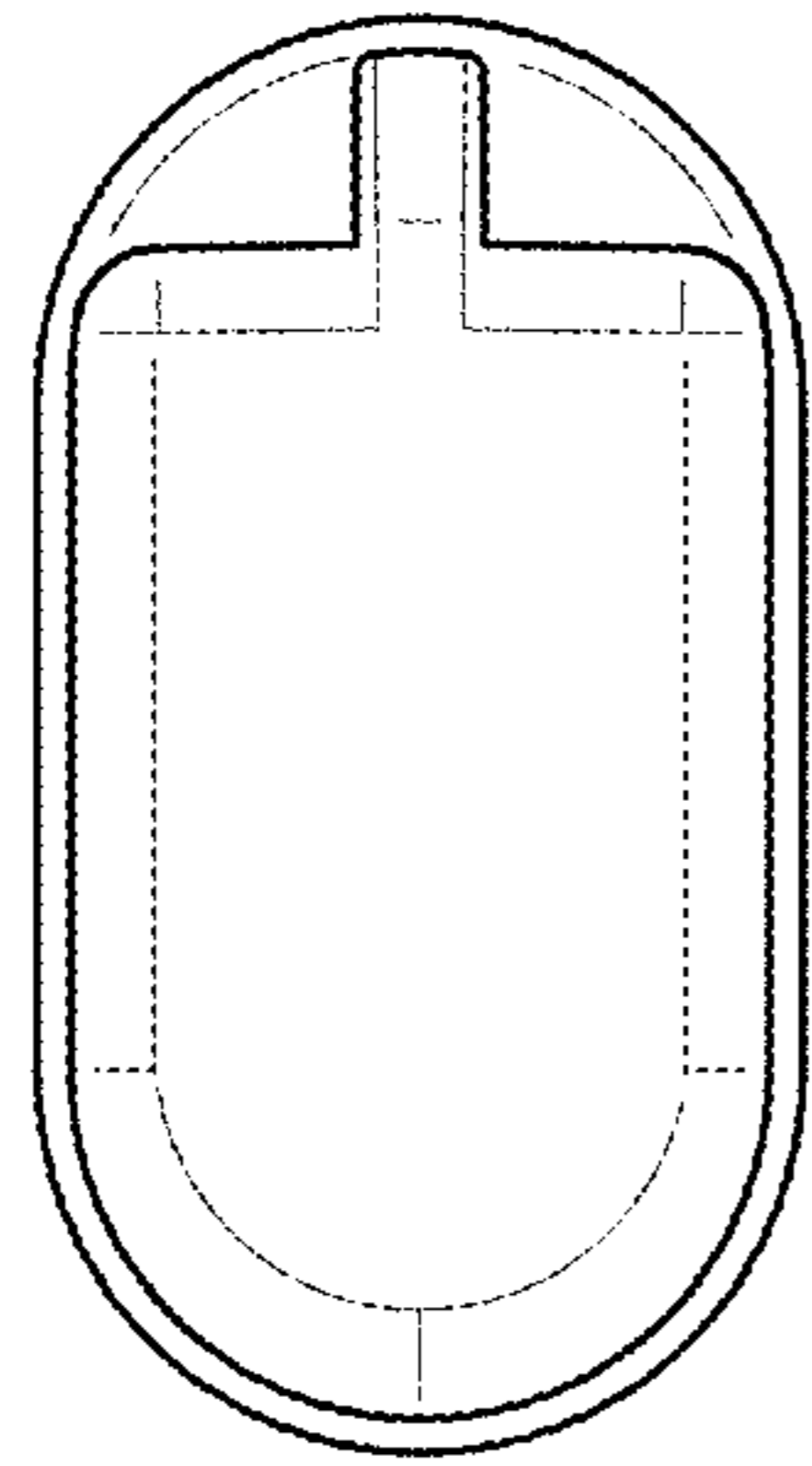


FIG 7

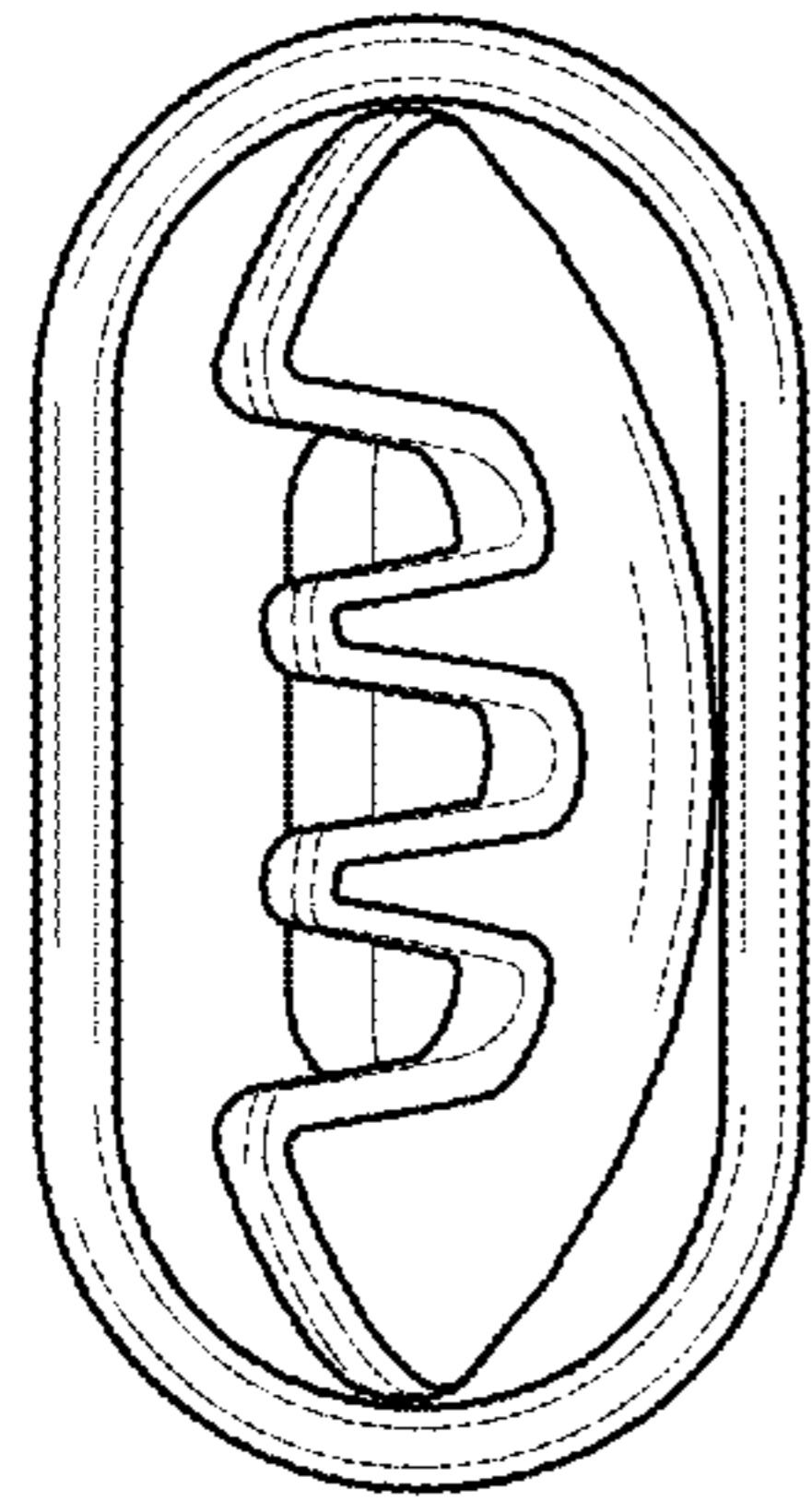


FIG 8