



US00D941641S

(12) **United States Design Patent**
Zheng

(10) **Patent No.:** **US D941,641 S**
(45) **Date of Patent:** **** Jan. 25, 2022**

(54) **SPOON REST**

(71) Applicant: **Wenya Zheng**, Zhongshan (CN)

(72) Inventor: **Wenya Zheng**, Zhongshan (CN)

(**) Term: **15 Years**

(21) Appl. No.: **29/775,112**

(22) Filed: **Mar. 22, 2021**

(51) **LOC (13) Cl.** **07-07**

(52) **U.S. Cl.**
USPC **D7/637; D7/601**

(58) **Field of Classification Search**
USPC D7/601, 637
CPC A47G 29/00; A47G 29/08; A47G 21/00;
A47G 21/14; A47J 47/00; A47J 47/16
See application file for complete search history.

(56) **References Cited**

U.S. PATENT DOCUMENTS

2,286,012	A *	6/1942	Rochow	A47G 29/08 248/37.6
5,396,993	A *	3/1995	Spitler	A47J 47/16 211/41.2
6,505,746	B1 *	1/2003	Johnson	A47J 47/16 211/70.7
D716,106	S	10/2014	Goodman et al.		
9,756,985	B2 *	9/2017	Knight, Sr.	A47J 47/16
D890,577	S	7/2020	Cotter		
2015/0014495	A1 *	1/2015	Bausman	A47J 47/16 248/176.2

OTHER PUBLICATIONS

Amazon.com, Spoon and Ladles Holder for Kitchen Countertop, p. 1-8, ASIN: B08DM8NR31, date first available Jul. 25, 2020. (Year: 2020).*

Amazon.com, NiHome Versatile Pot Lid Holder, p. 1-9, ASIN: B08MYXHYZF, date first available Nov. 8, 2020. (Year: 2020).*

* cited by examiner

Primary Examiner — Terry A Wallace

(57) **CLAIM**

The ornamental design for a spoon rest, as shown and described.

DESCRIPTION

FIG. 1 is a perspective view of a spoon rest showing my new design;

FIG. 2 is another perspective view thereof;

FIG. 3 is a front elevational view thereof

FIG. 4 is a rear elevational view thereof;

FIG. 5 is a left side elevational view thereof;

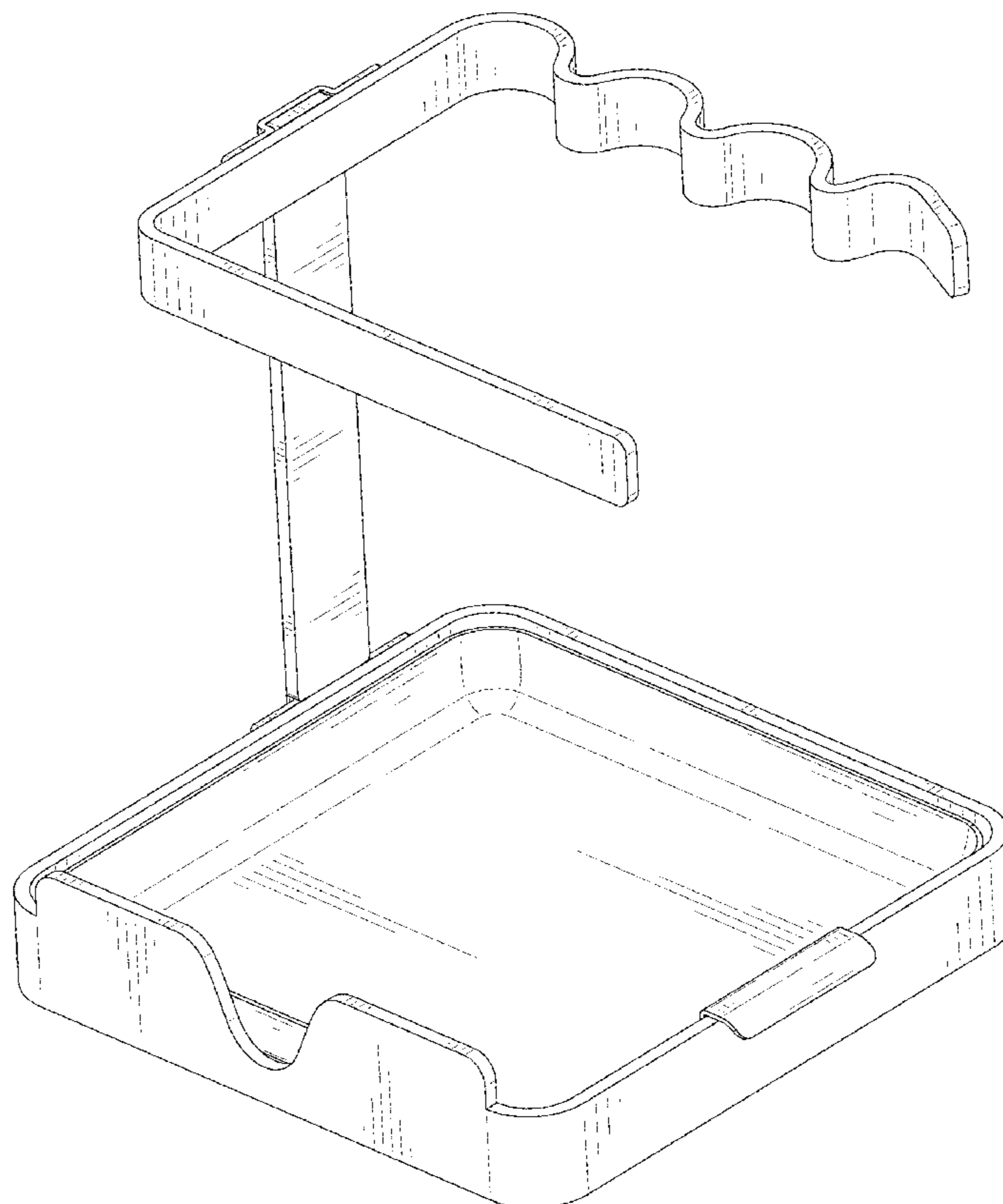
FIG. 6 is a right side elevational view thereof;

FIG. 7 is a top plan view thereof; and,

FIG. 8 is a bottom plan view thereof.

The broken lines in the drawings depict portions of the spoon rest that form no part of the claimed design.

1 Claim, 8 Drawing Sheets



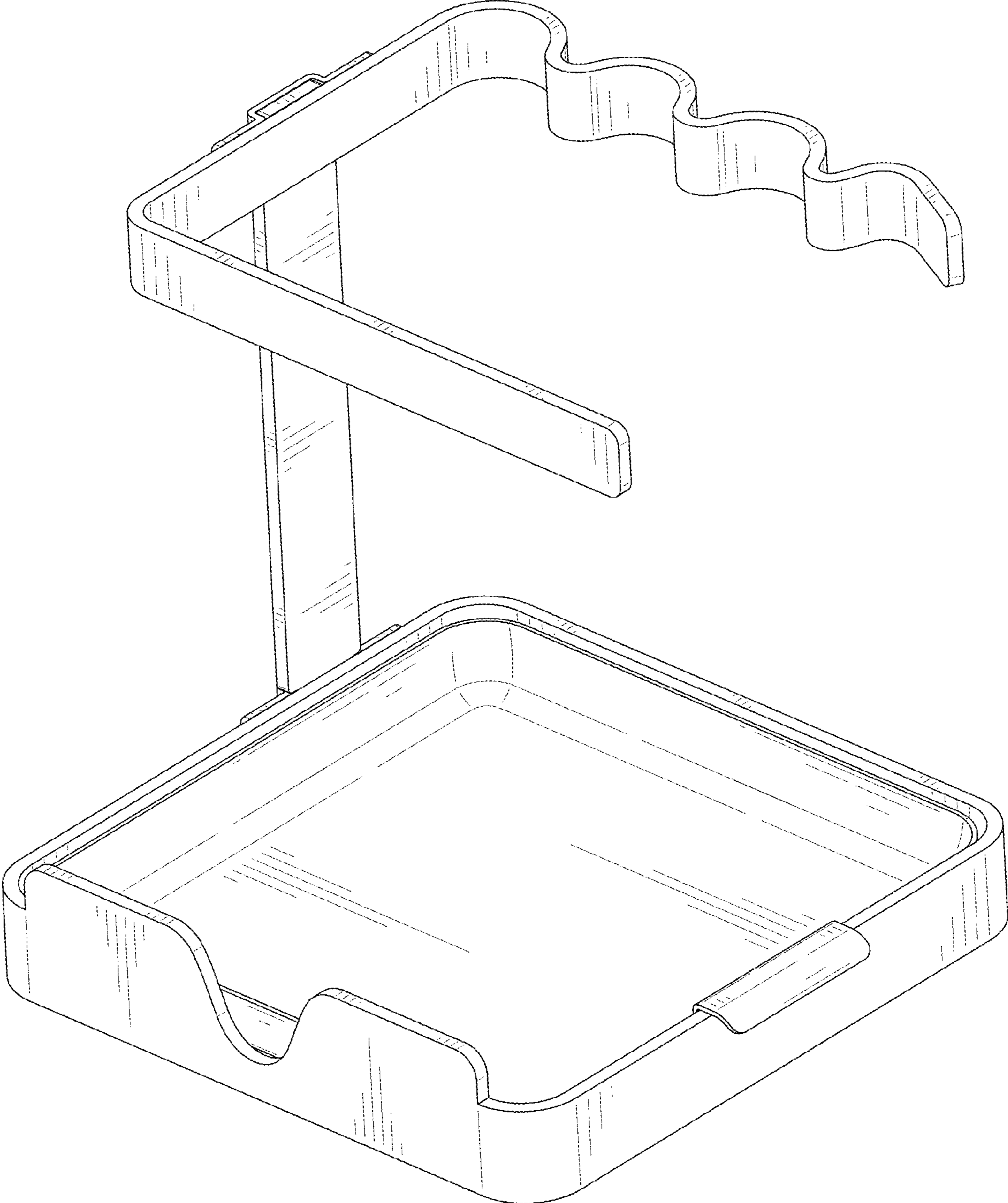


FIG. 1

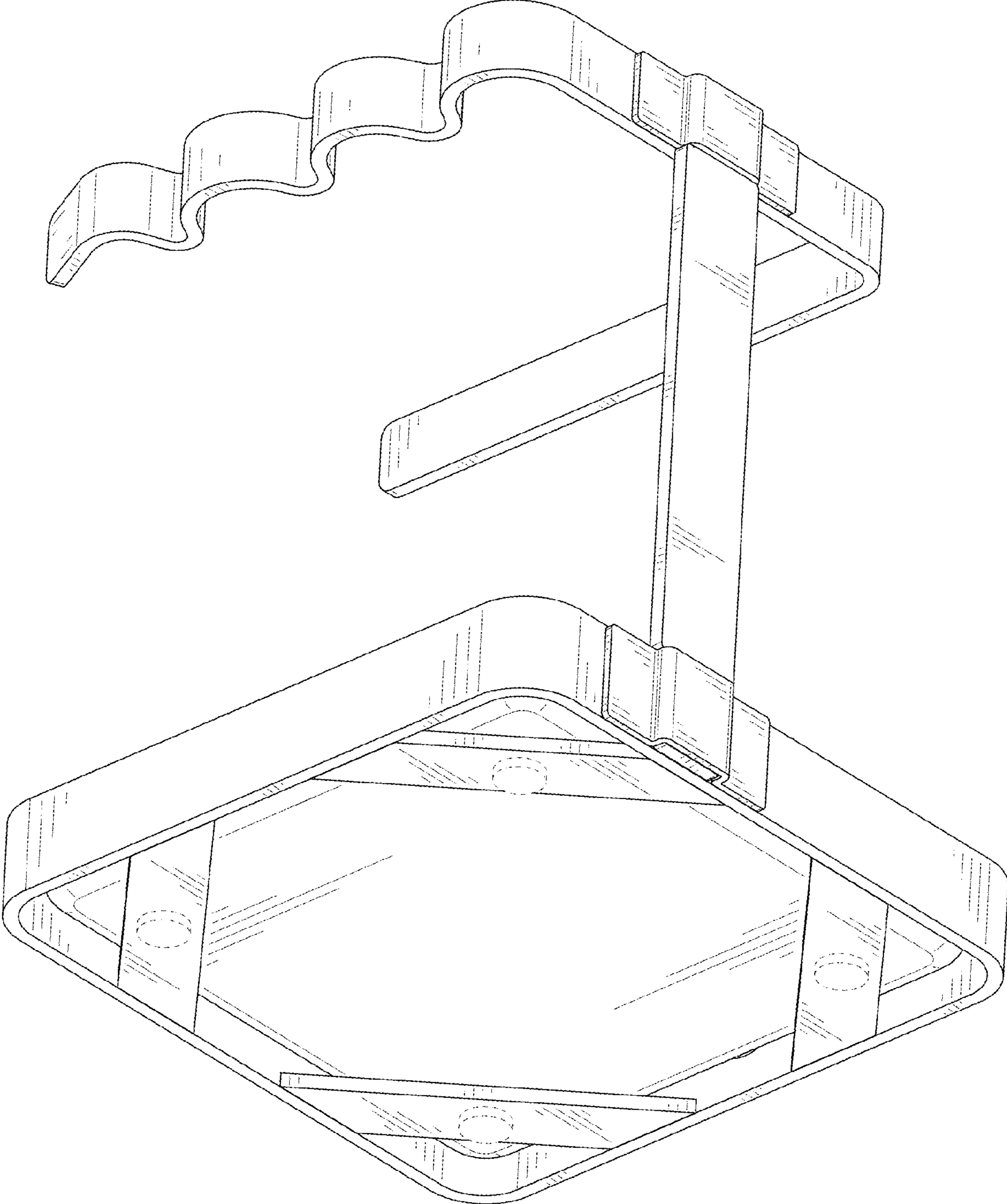


FIG. 2

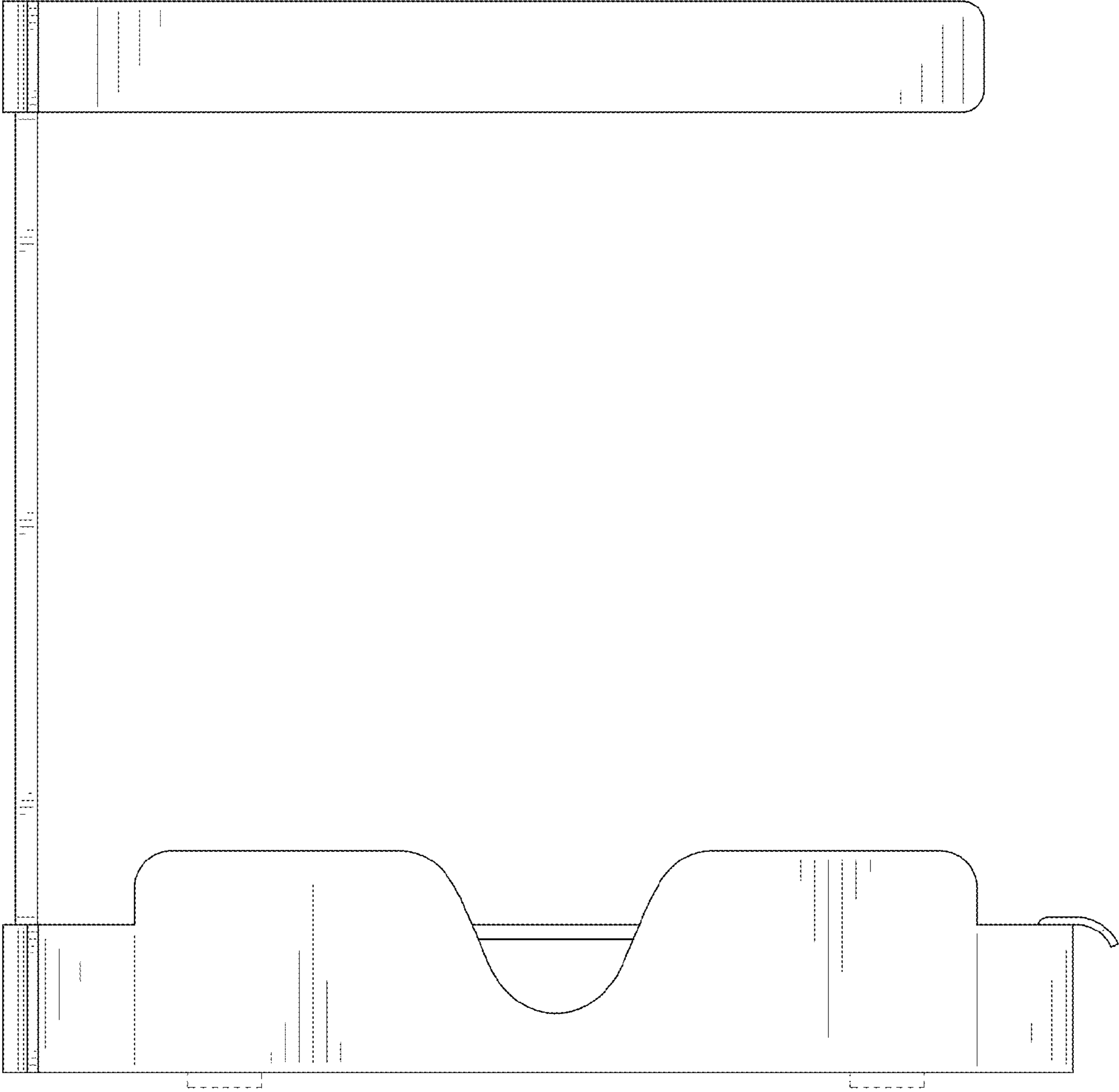


FIG. 3

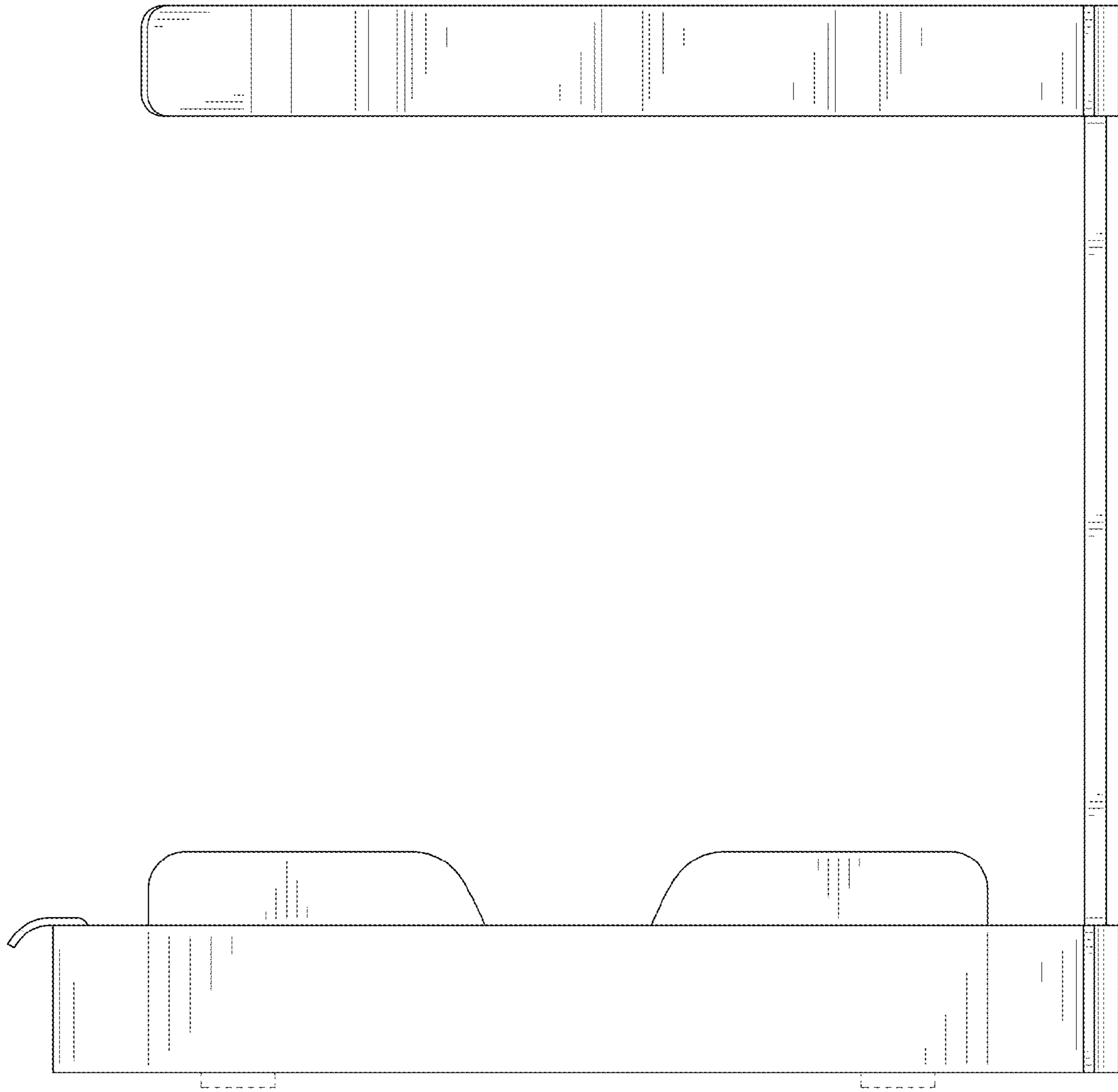


FIG. 4

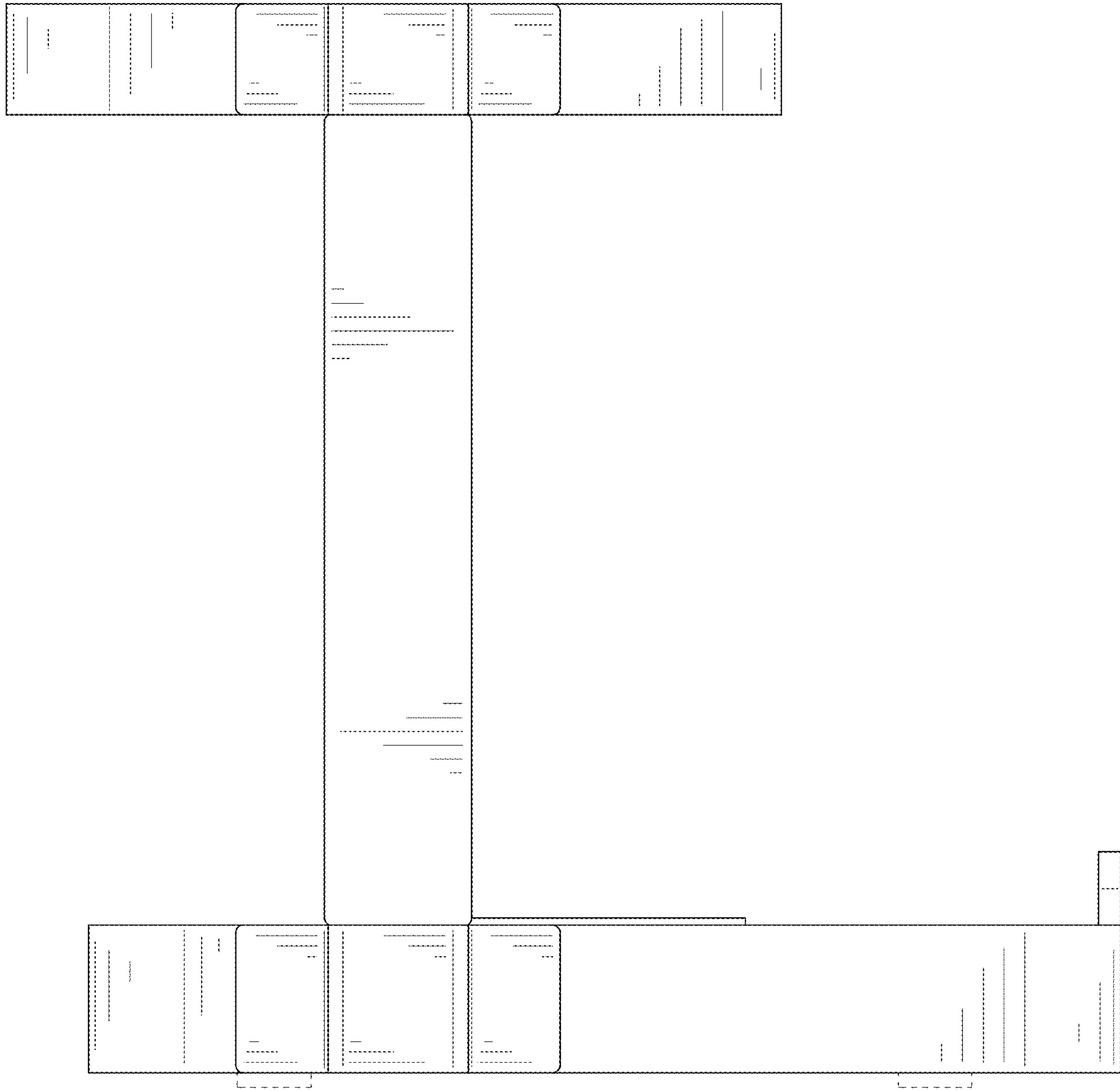


FIG. 5

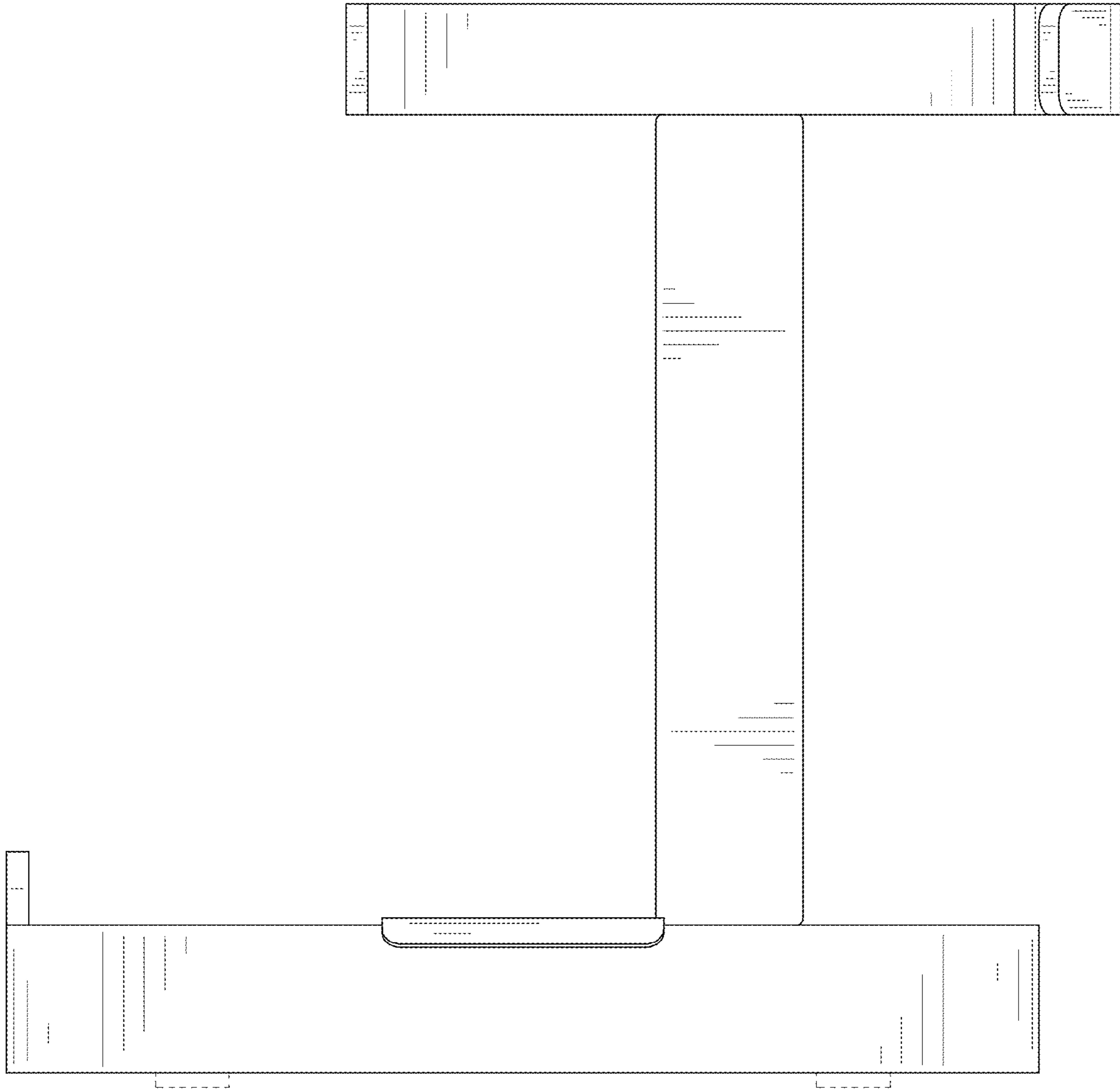


FIG. 6

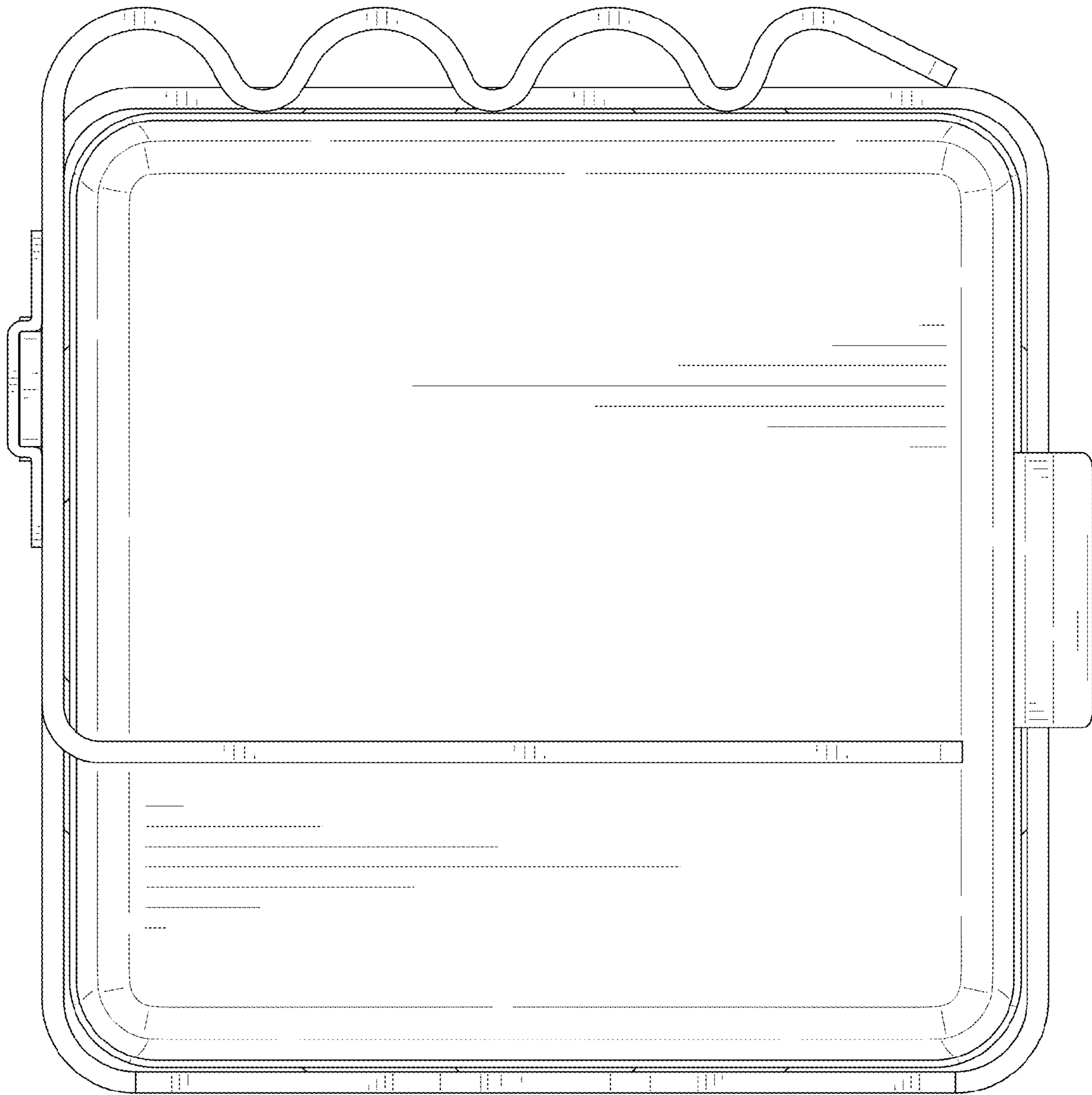


FIG. 7

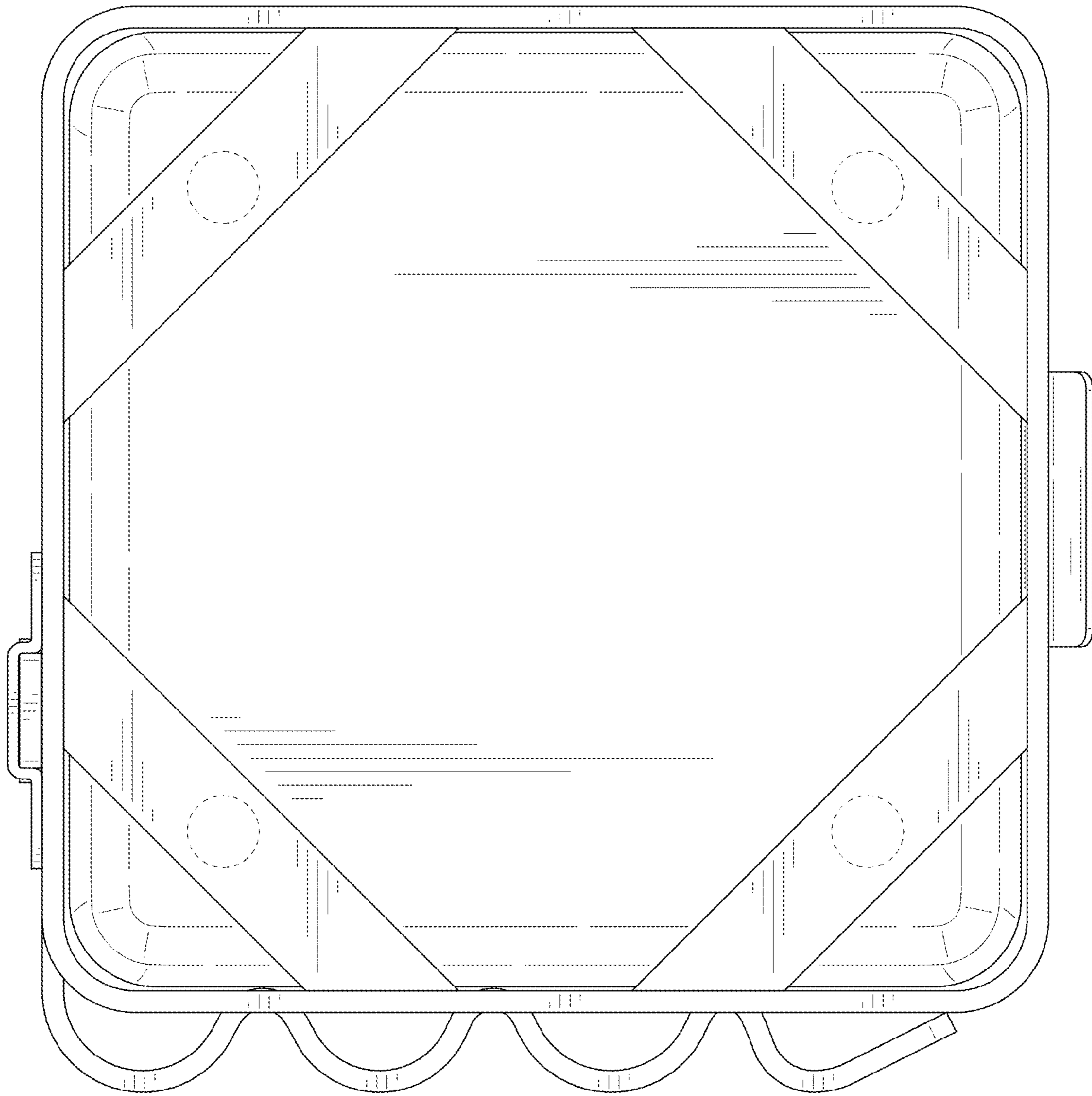


FIG. 8