



US00D941636S

(12) **United States Design Patent** (10) **Patent No.:** **US D941,636 S**  
**McNamara et al.** (45) **Date of Patent:** **\*\* Jan. 25, 2022**

(54) **VACUUM INSULATED BOWL**

(71) Applicant: **Helen of Troy Limited**, St. Michael (BB)

(72) Inventors: **Conor McNamara**, Montclair, NJ (US); **Benjamin Robert Hein**, Bend, OR (US); **Shelley Palazzolo**, Bend, OR (US); **Adam Zagorsky**, Portland, OR (US); **Jarett Volkoff**, Bend, OR (US)

(73) Assignee: **Helen of Troy Limited**, St. Michael (BB)

(\*\*) Term: **15 Years**

(21) Appl. No.: **29/728,509**

(22) Filed: **Mar. 19, 2020**

(51) **LOC (13) Cl.** ..... **07-07**

(52) **U.S. Cl.**  
USPC ..... **D7/608**

(58) **Field of Classification Search**  
USPC ..... D7/300, 392, 500, 505, 507, 509, 510, D7/511, 538, 587, 601, 602, 605, 608, D7/629  
CPC ..... A47J 41/00; A47J 41/0072; A47J 41/02; A47J 43/00; A47J 47/00; A47J 47/02; A47J 47/08; A47J 47/14; A47G 19/12; A47G 19/027; A47G 19/127; A47G 19/2288;

(Continued)

(56) **References Cited**

**U.S. PATENT DOCUMENTS**

5,409,126 A \* 4/1995 DeMars ..... B65D 21/0219 206/499

5,579,946 A 12/1996 Rowan et al.

(Continued)

**FOREIGN PATENT DOCUMENTS**

EP 0081279 6/1983  
EP 0919175 6/1999

*Primary Examiner* — George D. Kirschbaum

*Assistant Examiner* — Darryl J Dardenne

(74) *Attorney, Agent, or Firm* — Rankin, Hill & Clark LLP

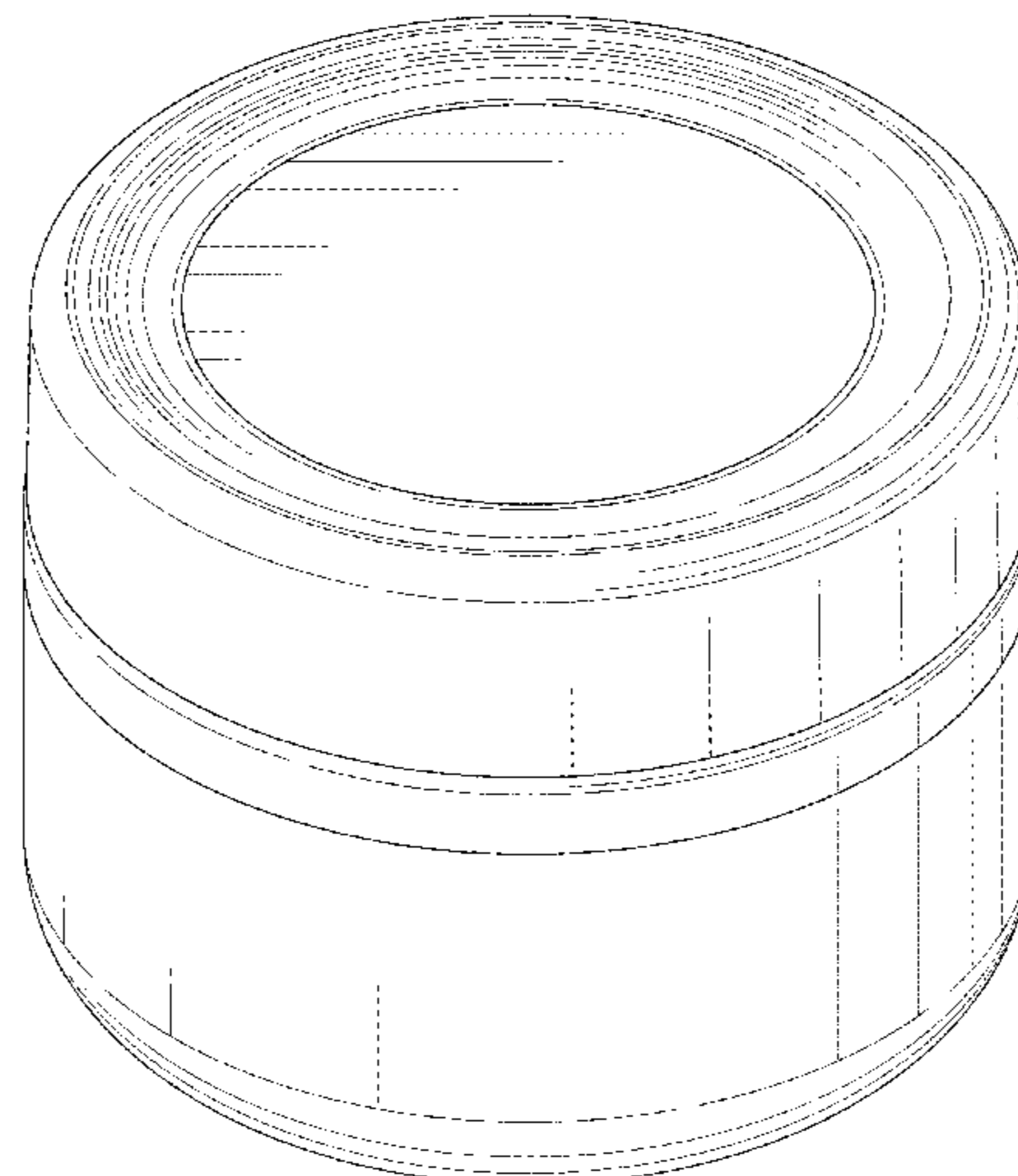
(57) **CLAIM**

The ornamental design for a vacuum insulated bowl, as shown and described.

**DESCRIPTION**

FIG. 1 is a top perspective view of a new, original and ornamental design for a vacuum insulated bowl according to one embodiment of the present disclosure; FIG. 2 is a right side elevation view of FIG. 1; FIG. 3 is a left side elevation view of FIG. 1; FIG. 4 is a front elevation view of FIG. 1; FIG. 5 is a rear elevation view of FIG. 1; FIG. 6 is a top plan view of FIG. 1; FIG. 7 is a bottom plan view of FIG. 1; FIG. 8 is a bottom perspective view of FIG. 1; FIG. 9 is a top perspective view of a new, original and ornamental design for a vacuum insulated bowl according to another embodiment of the present disclosure; FIG. 10 is a right side elevation view of FIG. 9; FIG. 11 is a left side elevation view of FIG. 9; FIG. 12 is a front elevation view of FIG. 9; FIG. 13 is a rear elevation view of FIG. 9; FIG. 14 is a top plan view of FIG. 9; FIG. 15 is a bottom plan view of FIG. 9; FIG. 16 is a bottom perspective view of FIG. 9; FIG. 17 is a top perspective view of a new, original and ornamental design for a vacuum insulated bowl according to yet another embodiment of the present disclosure; FIG. 18 is a right side elevation view of FIG. 17; FIG. 19 is a left side elevation view of FIG. 17; FIG. 20 is a front elevation view of FIG. 17; FIG. 21 is a rear elevation view of FIG. 17; FIG. 22 is a top plan view of FIG. 17; FIG. 23 is a bottom plan view of FIG. 17; and, FIG. 24 is a bottom perspective view of FIG. 17.

**1 Claim, 24 Drawing Sheets**





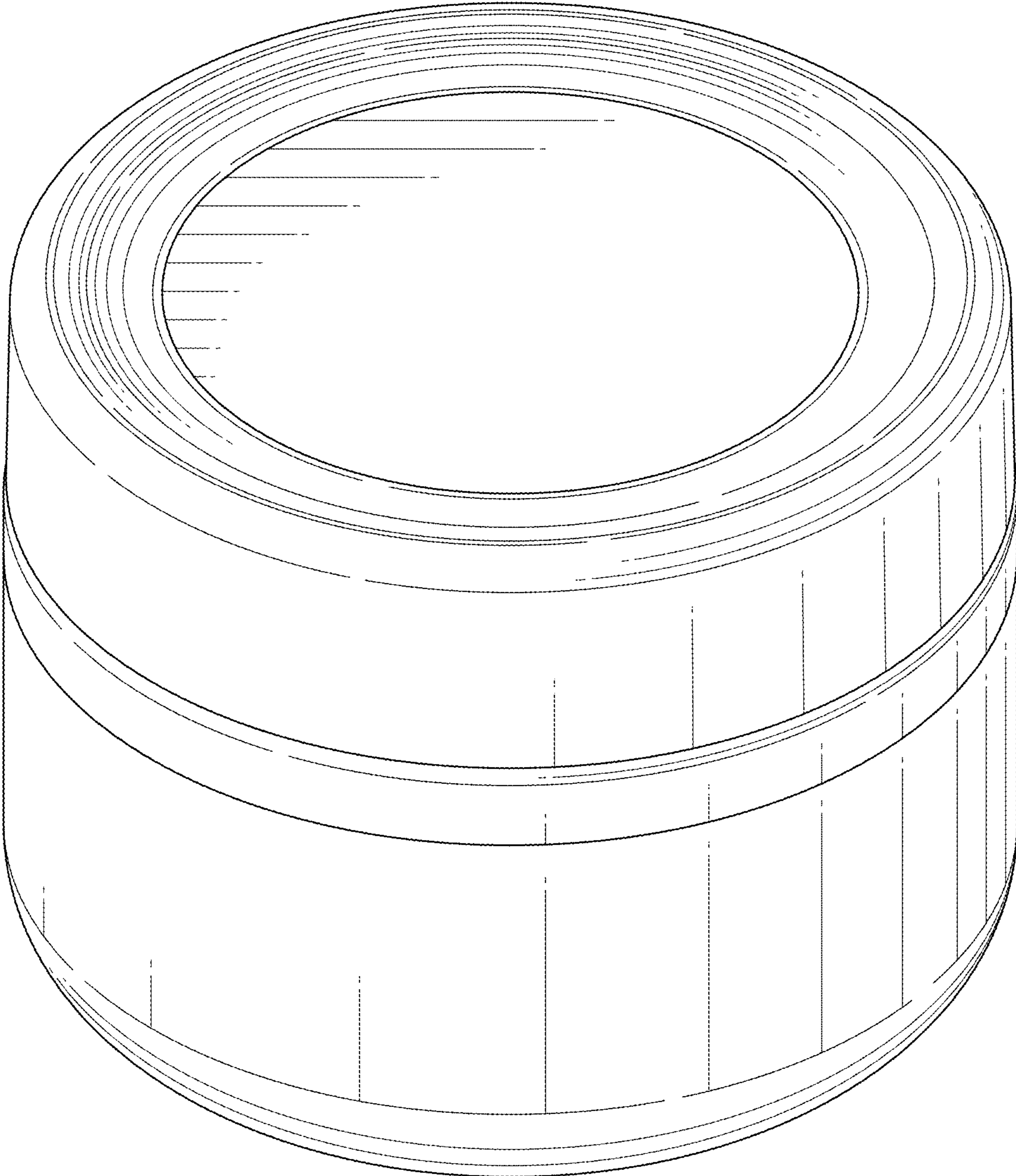


FIG. 1

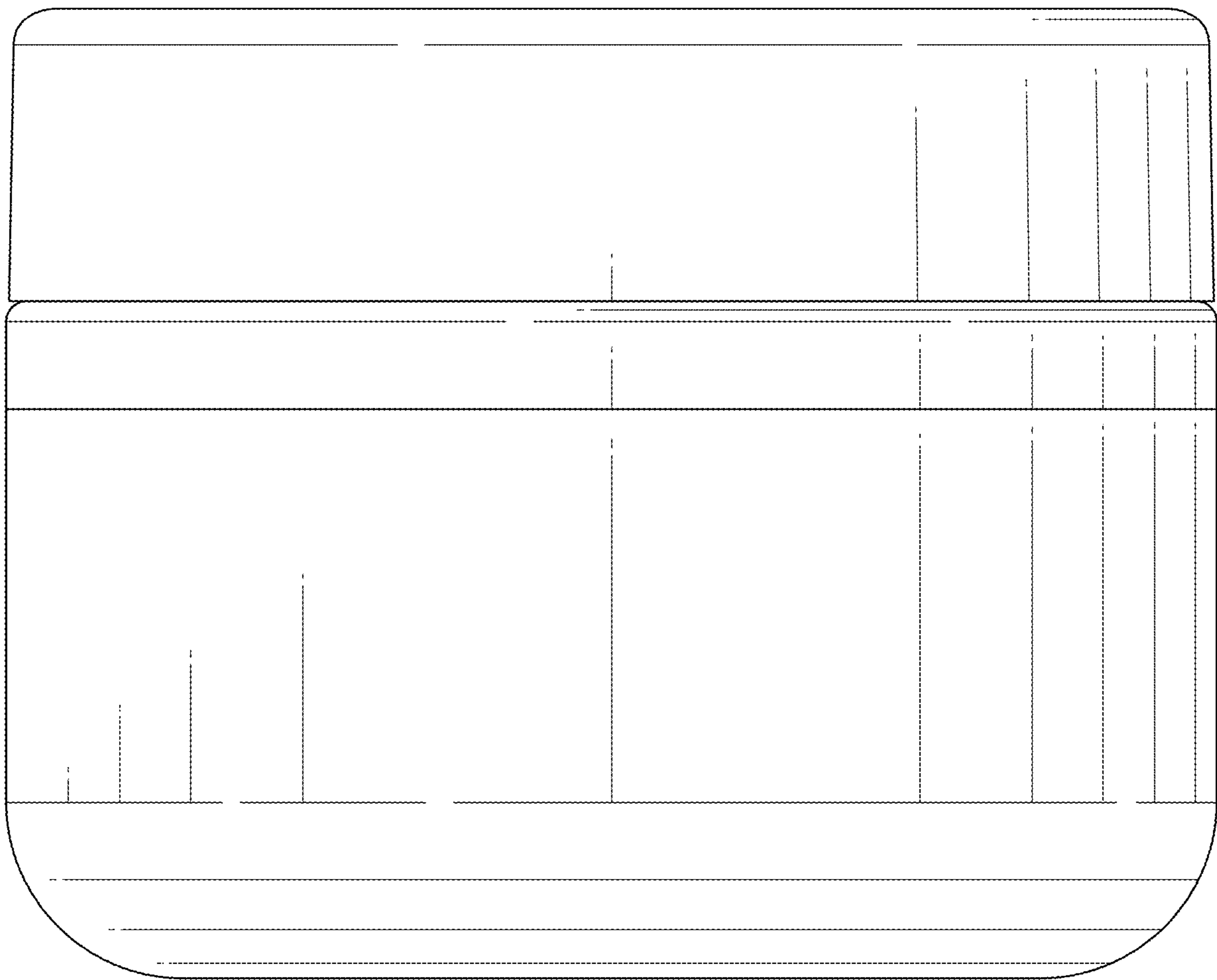


FIG. 2



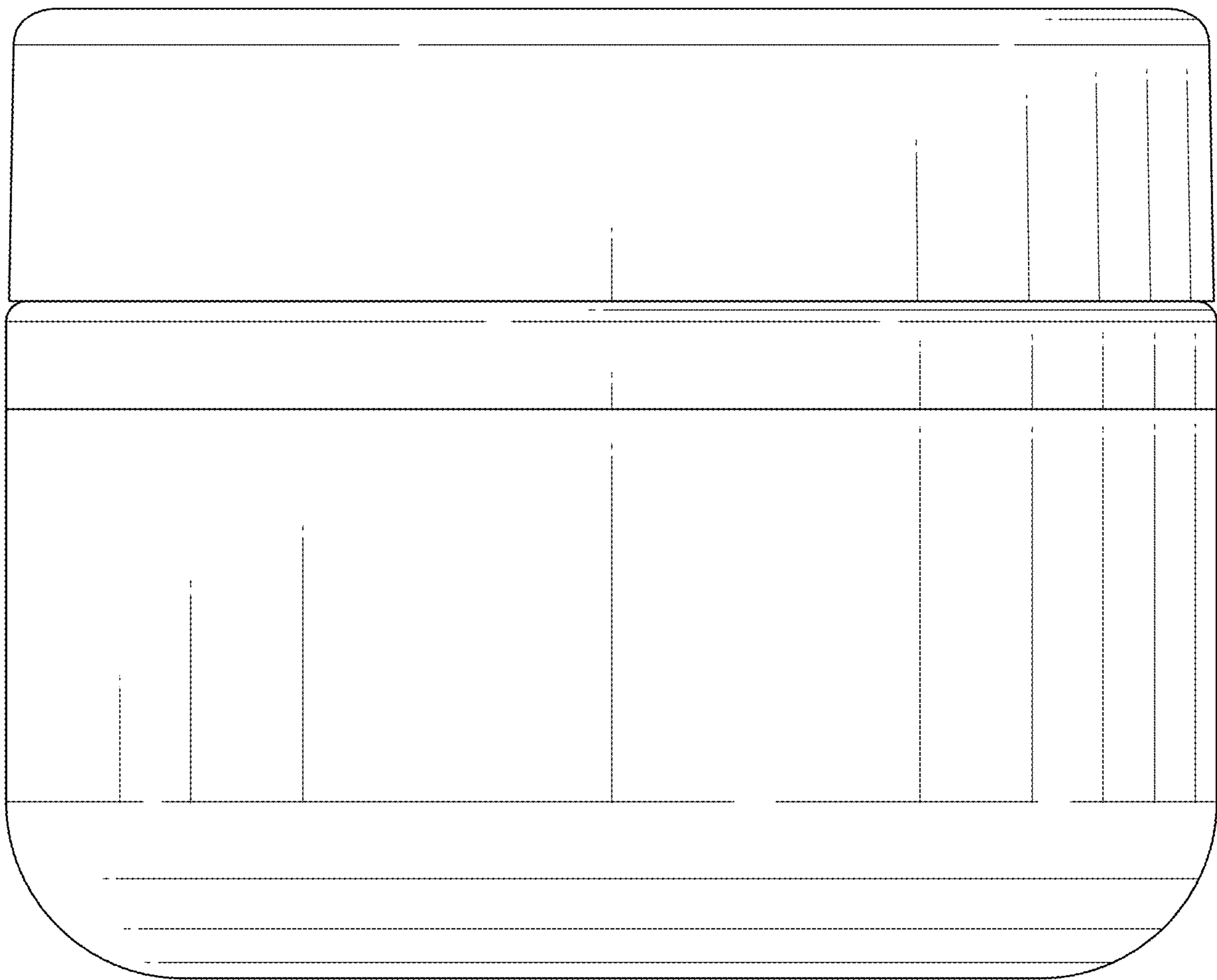


FIG. 3

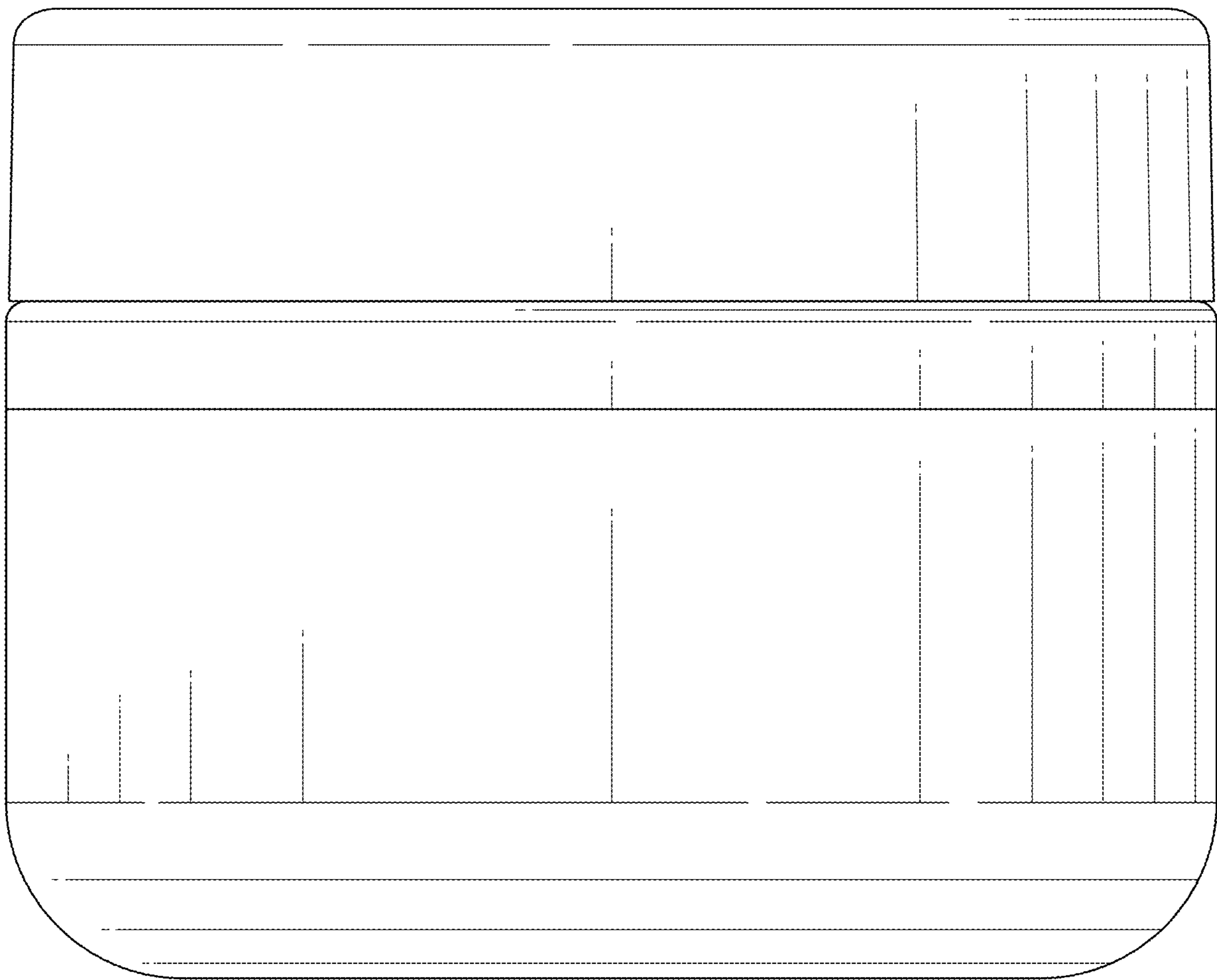


FIG. 4

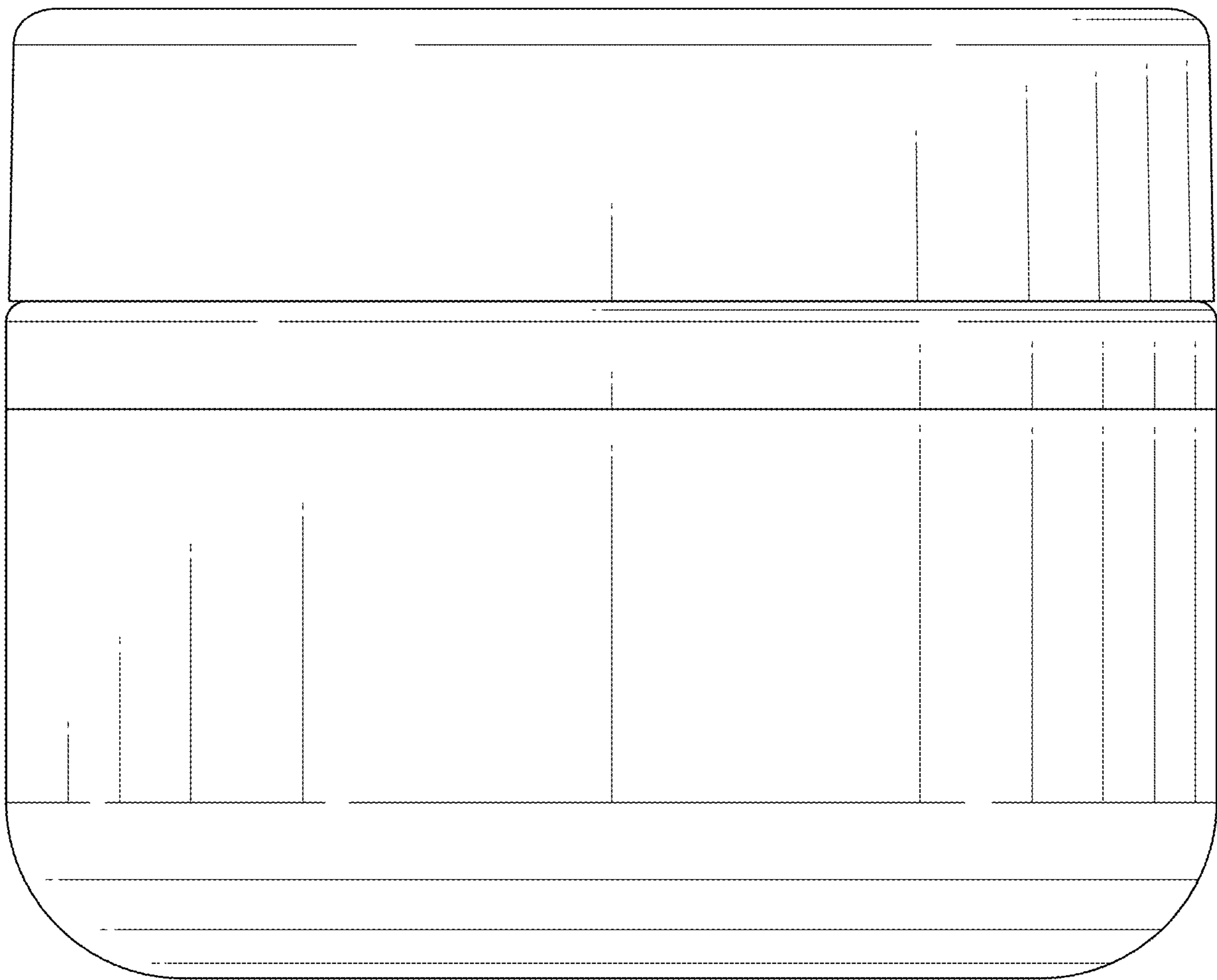


FIG. 5

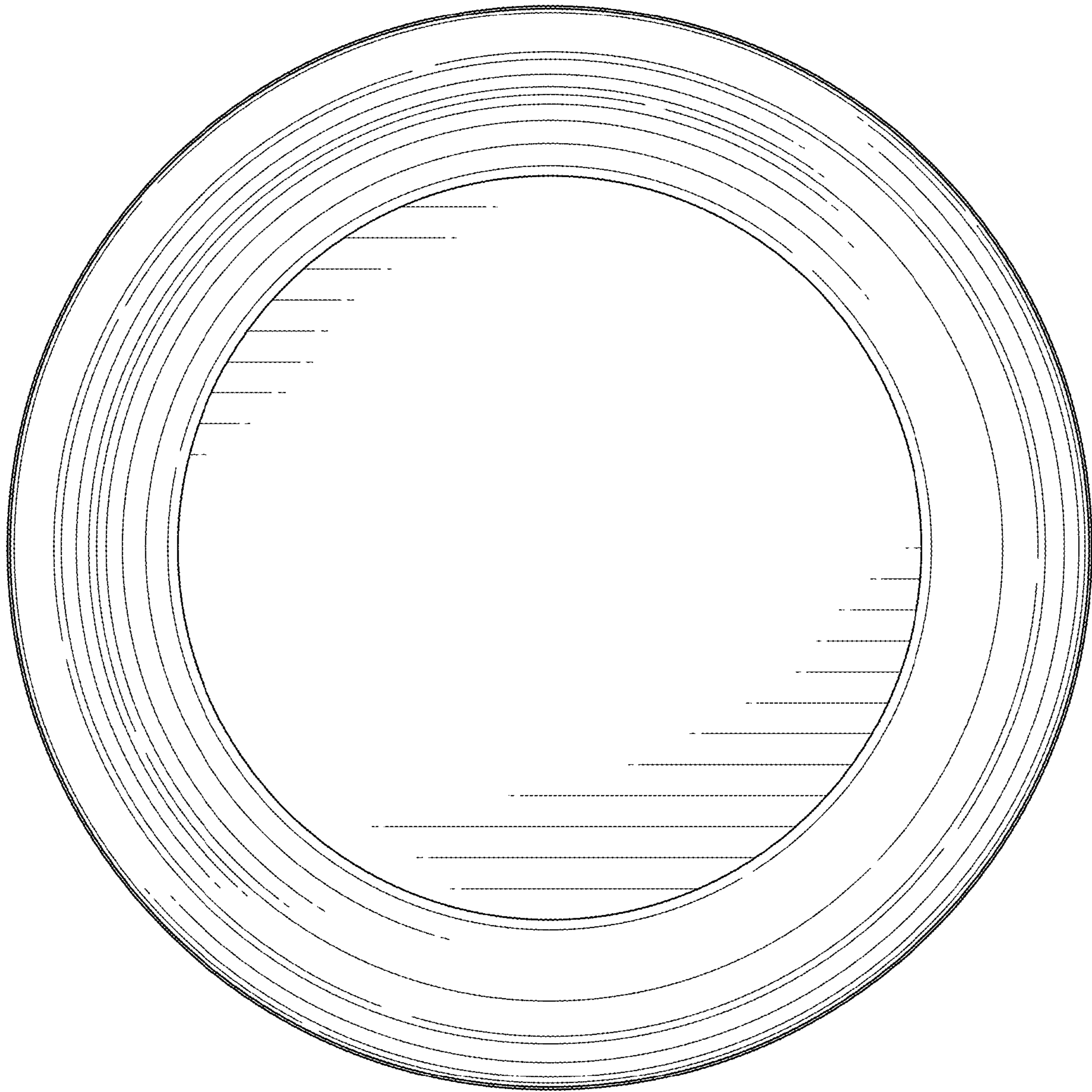


FIG. 6



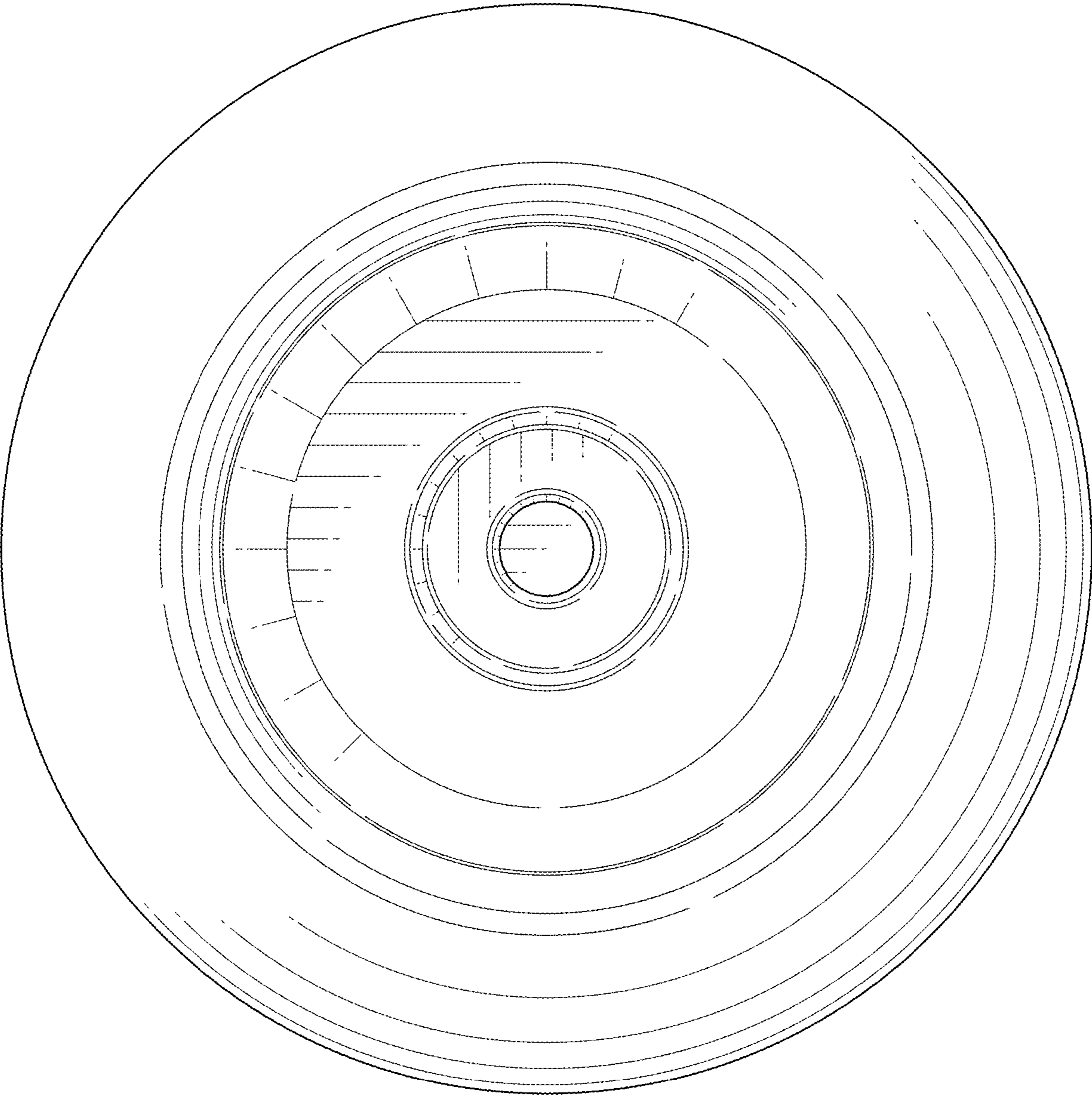


FIG. 7

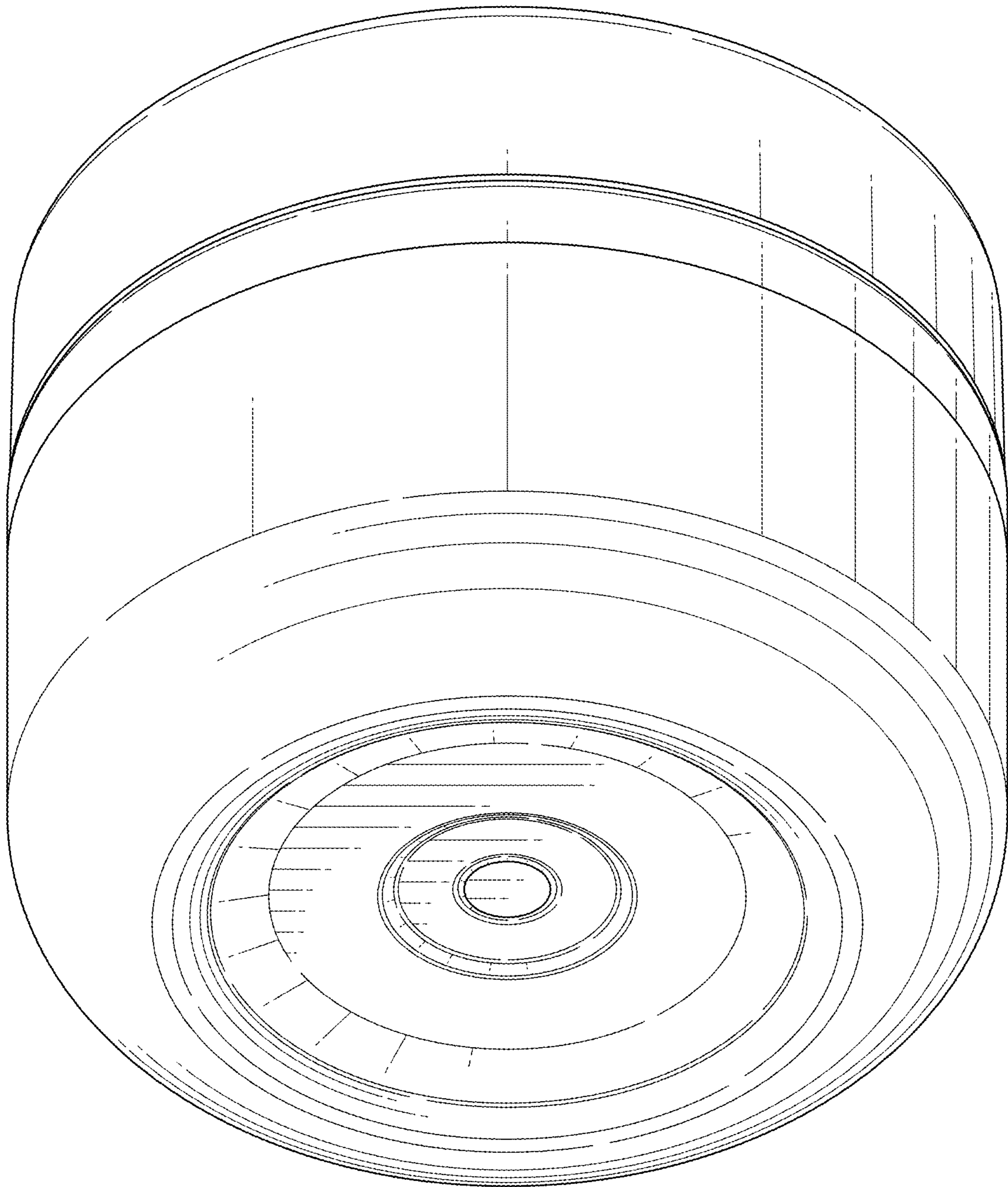


FIG. 8

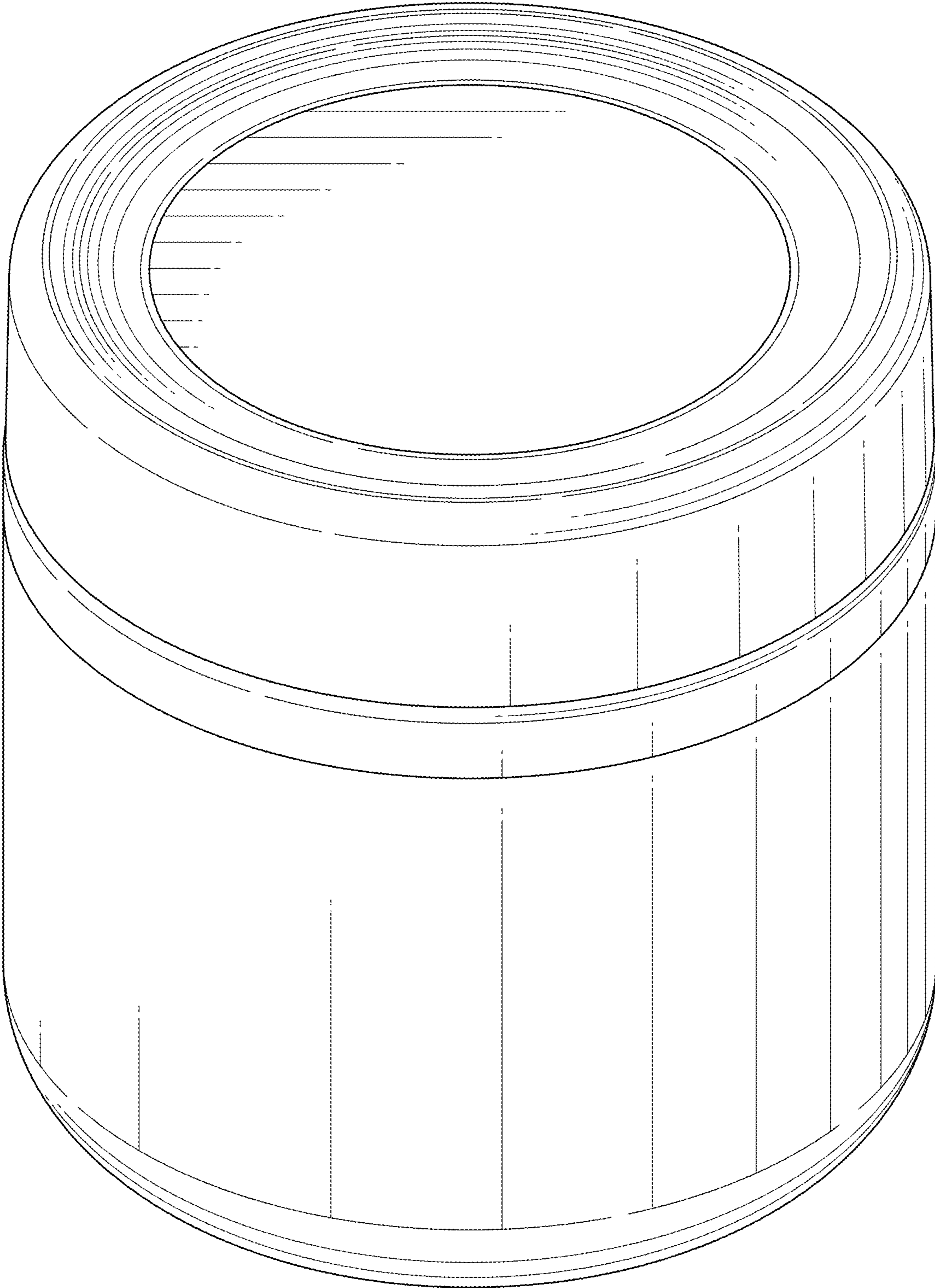


FIG. 9

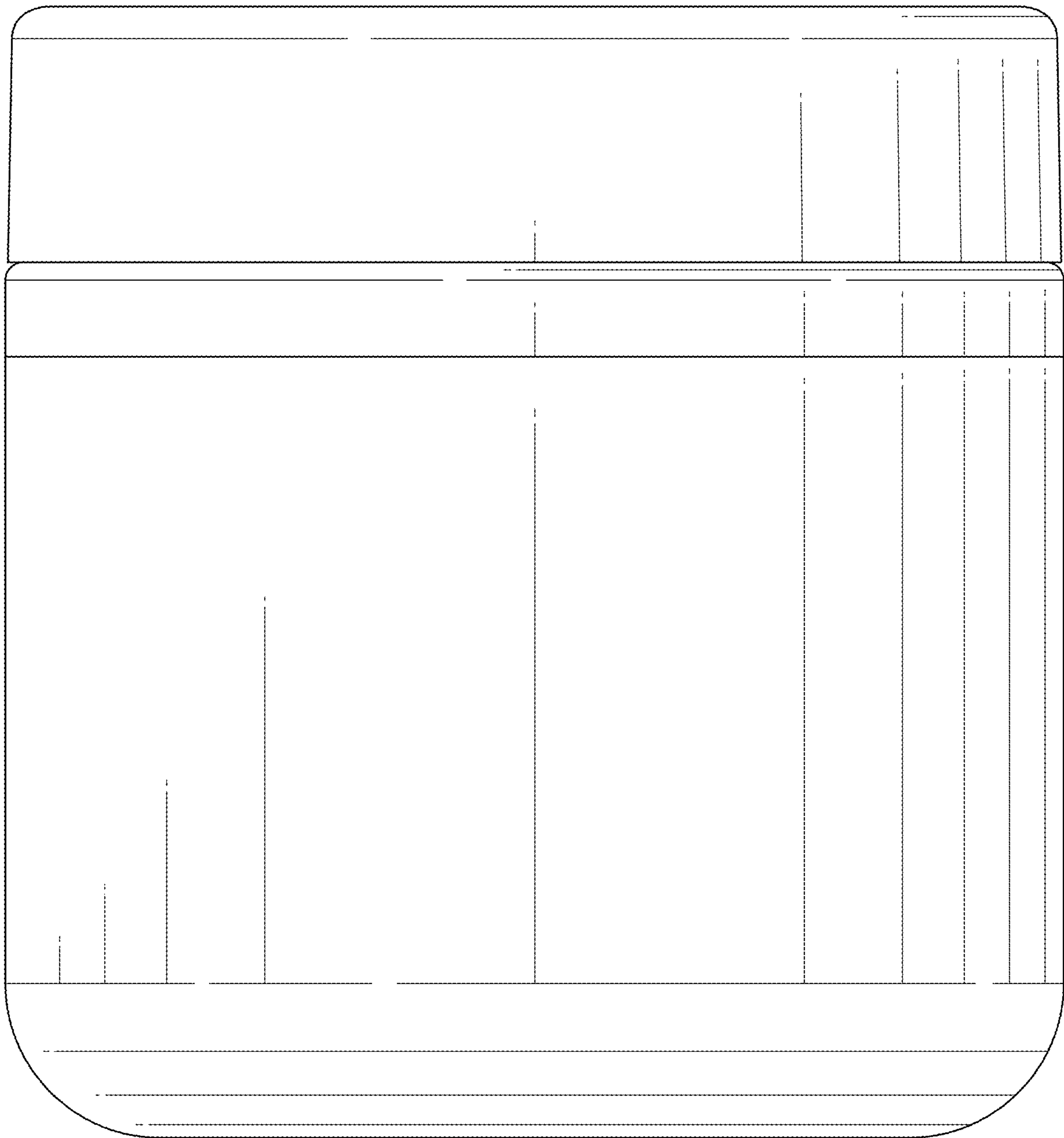


FIG. 10

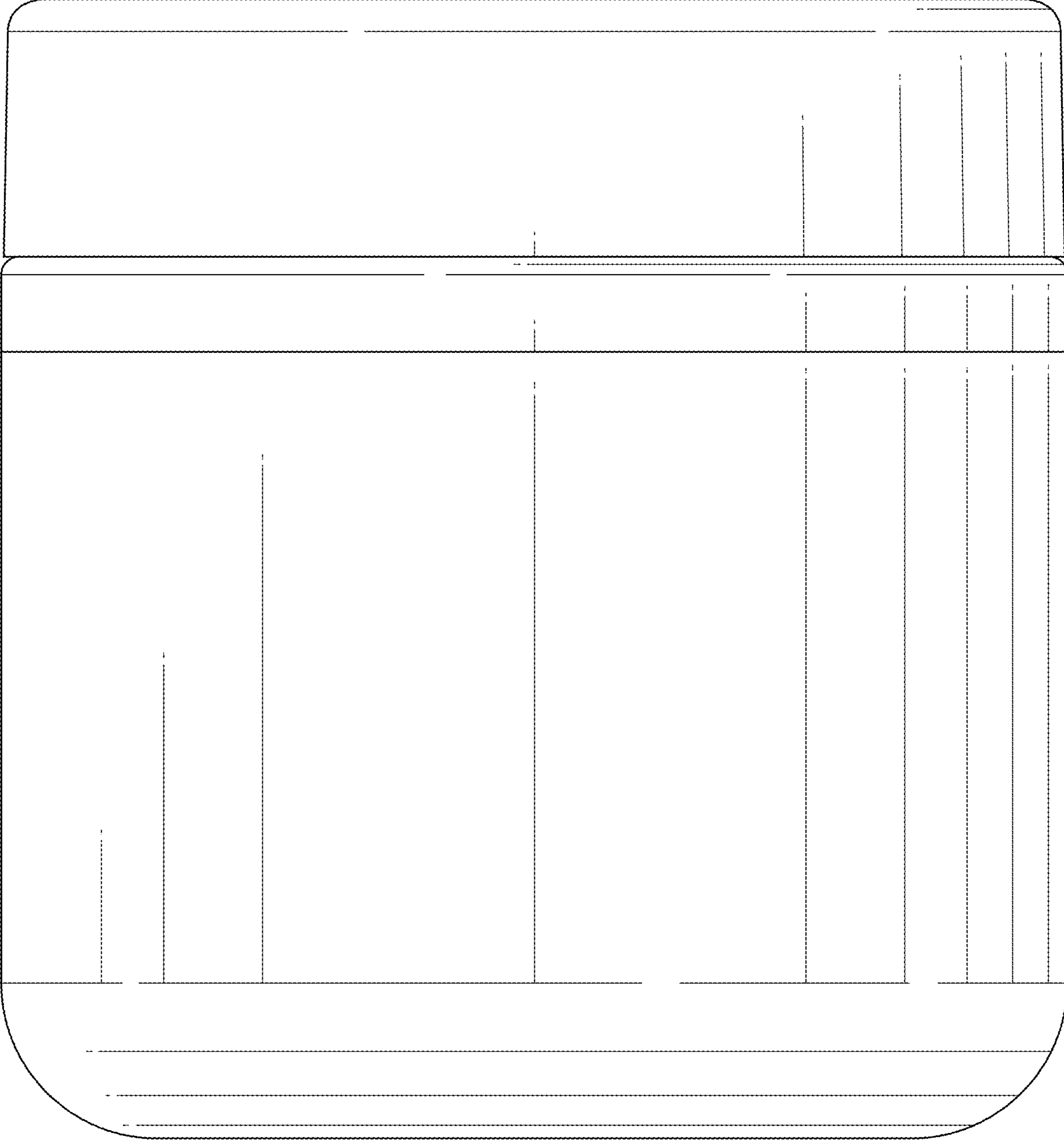


FIG. 11



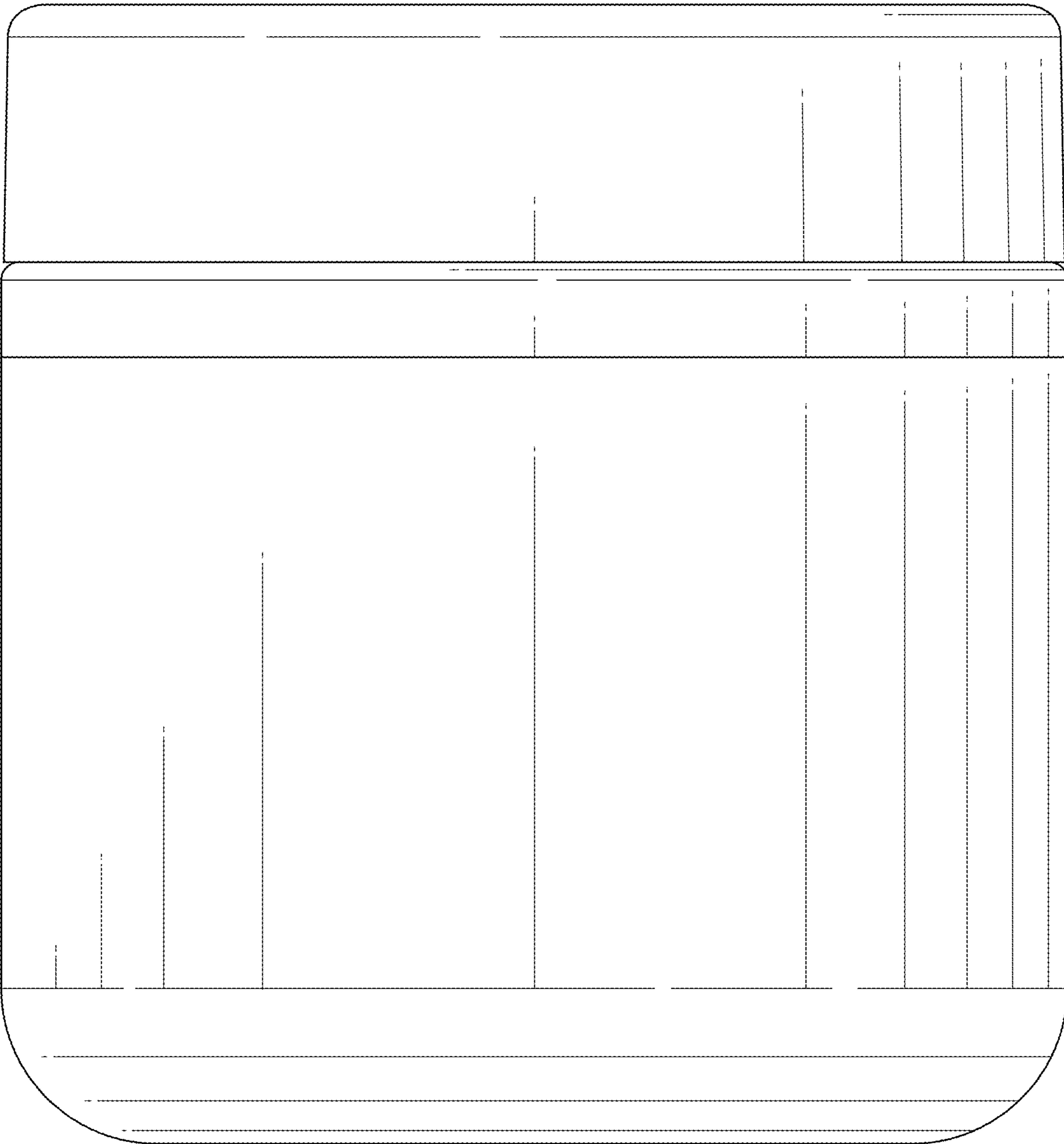


FIG. 12

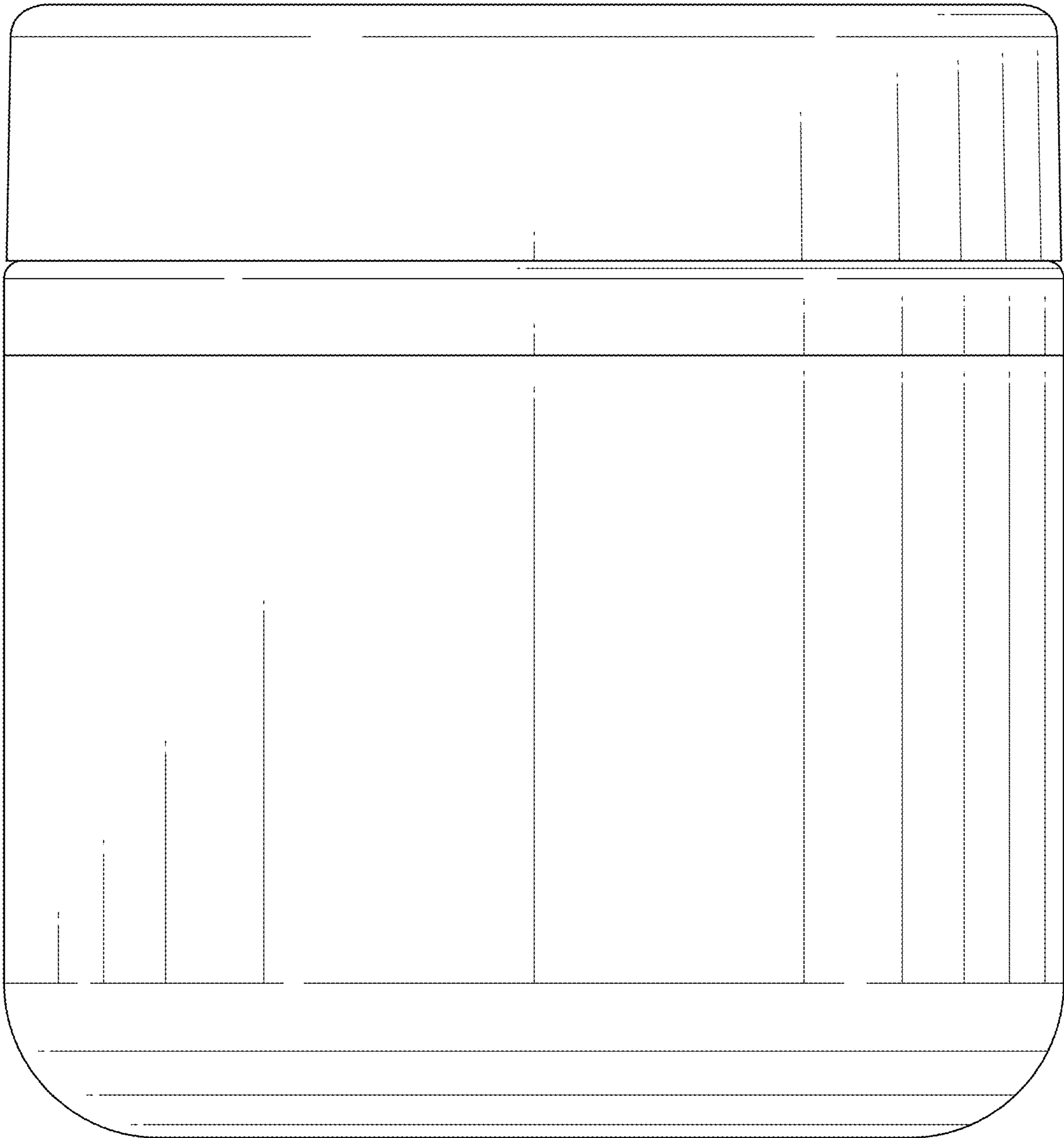


FIG. 13

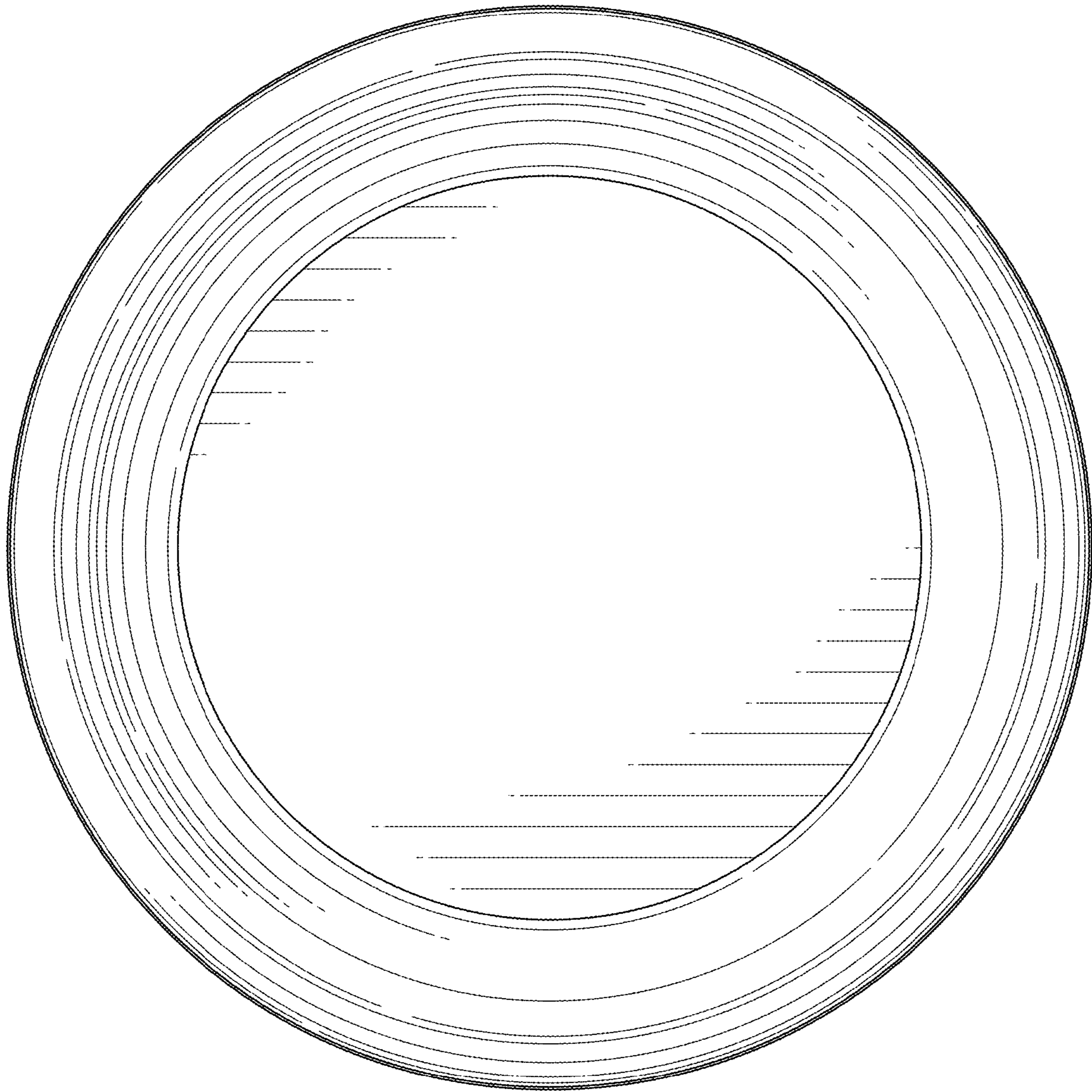


FIG. 14

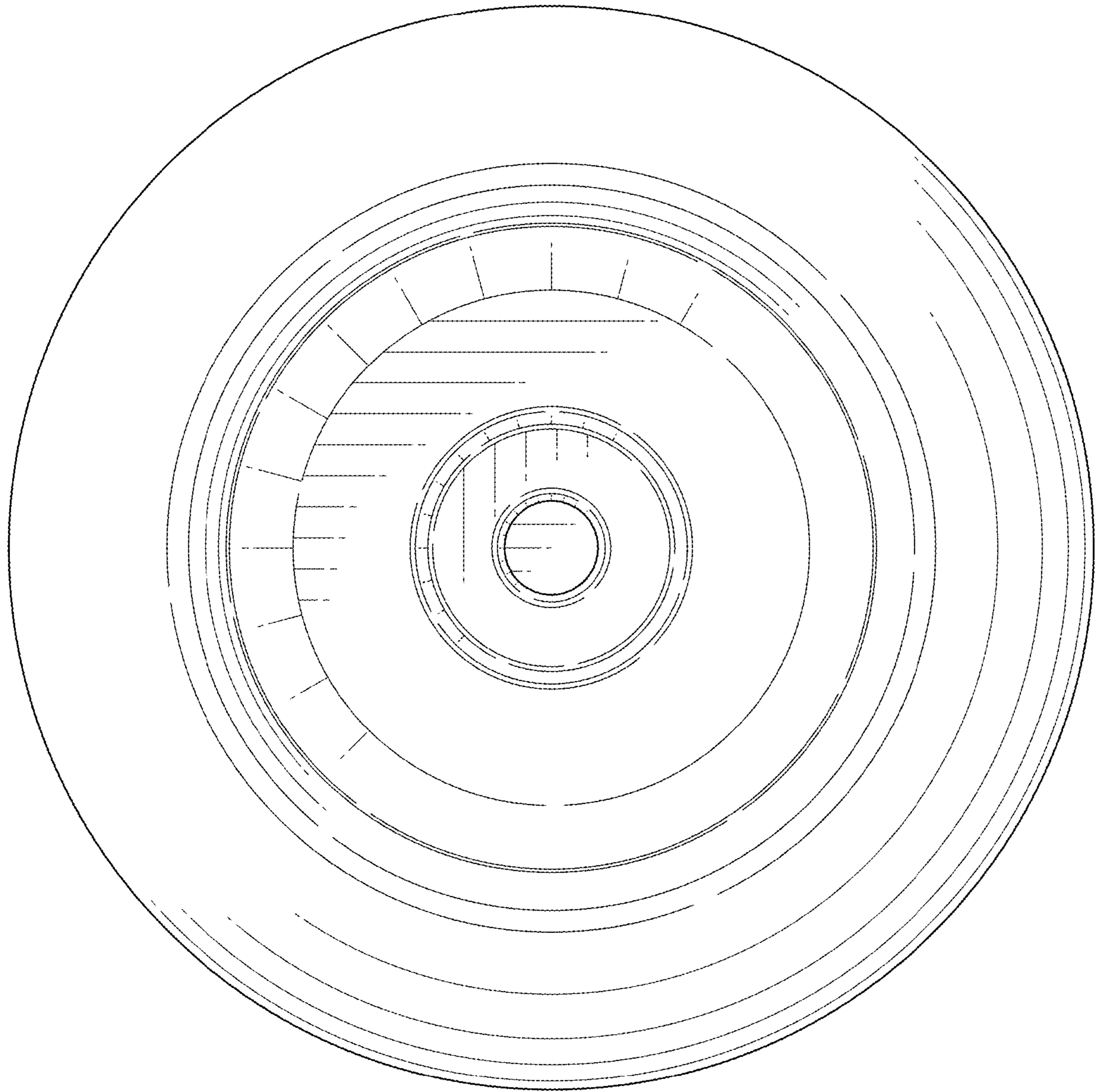


FIG. 15

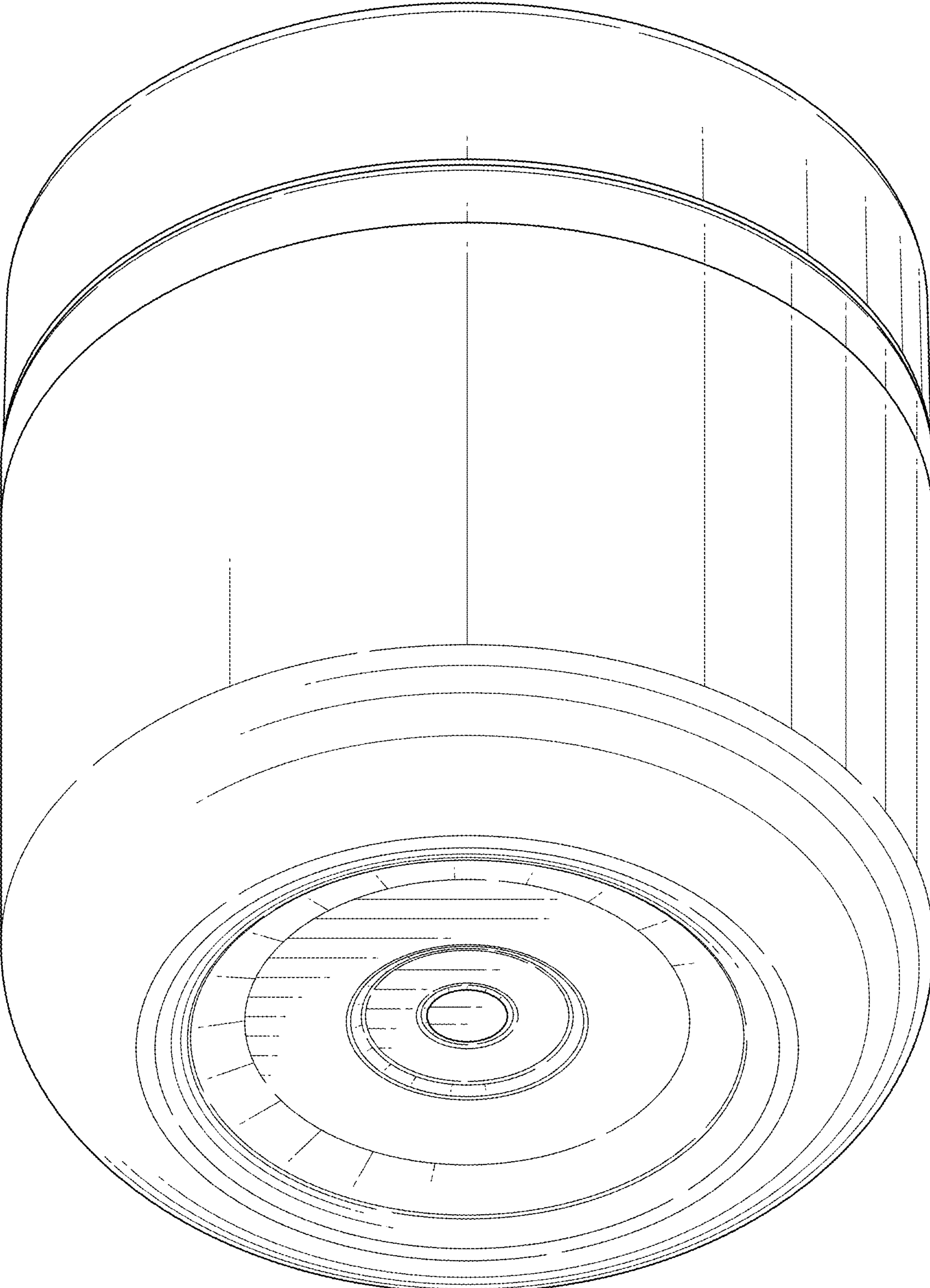


FIG. 16



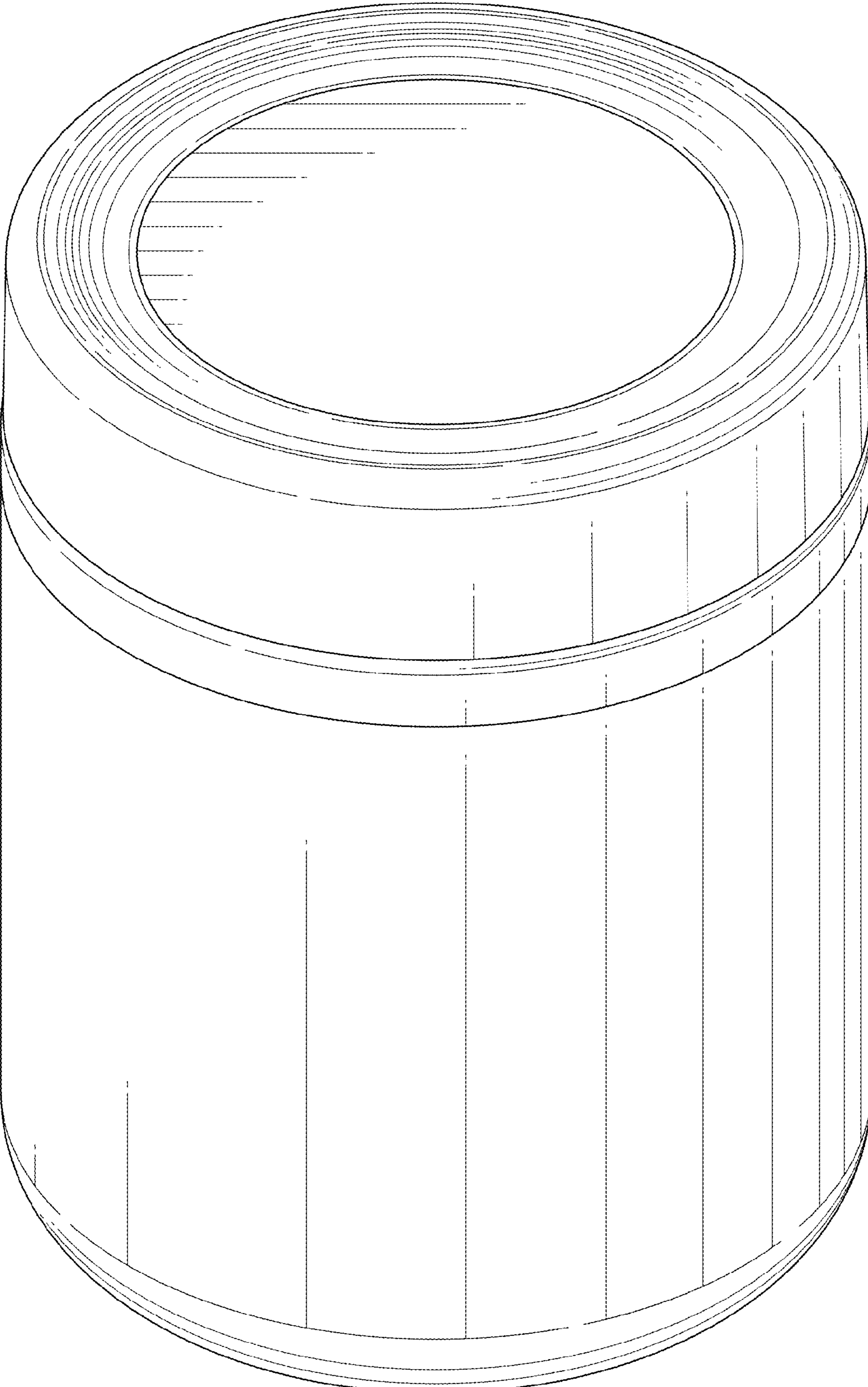


FIG. 17

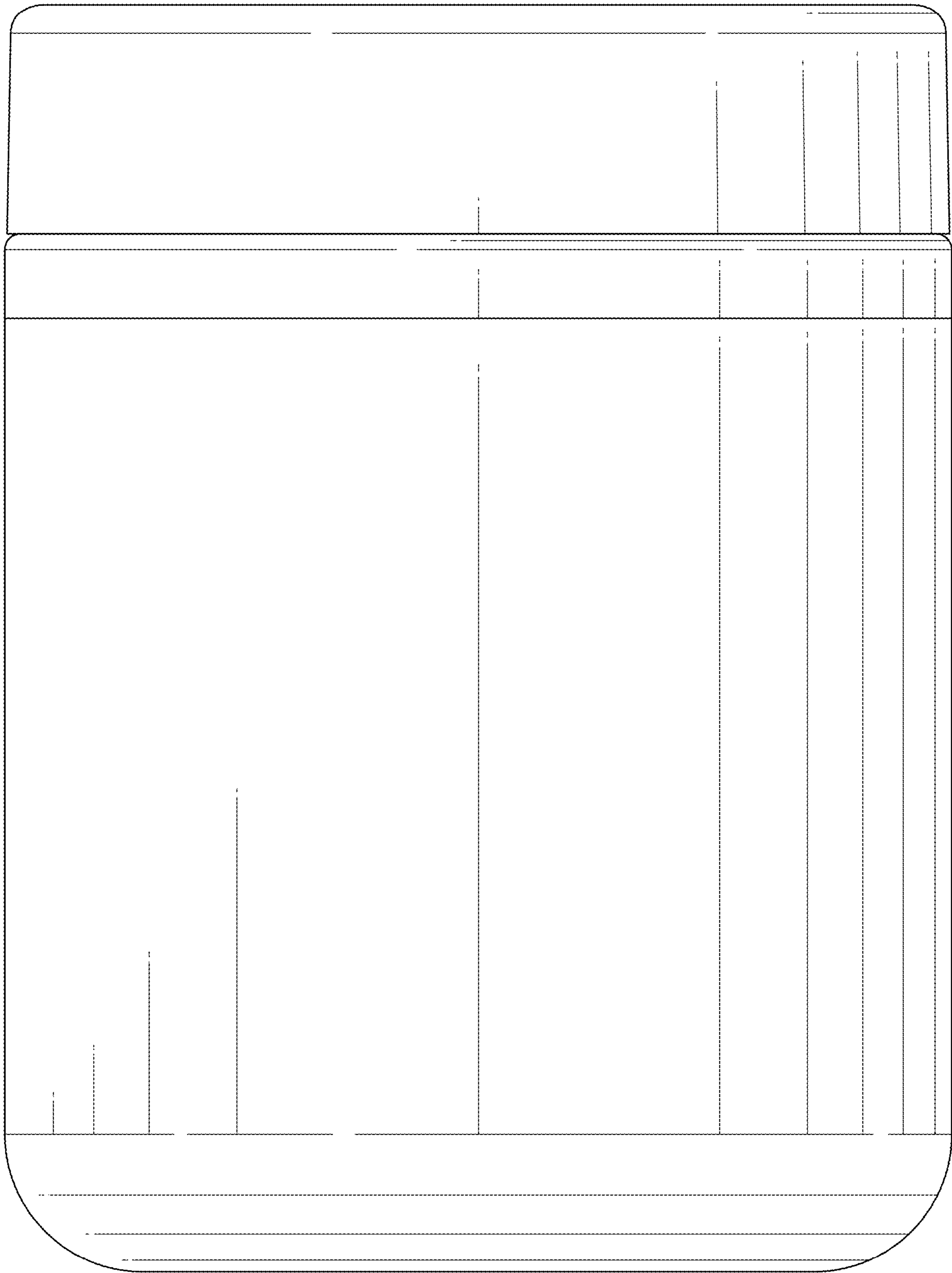


FIG. 18

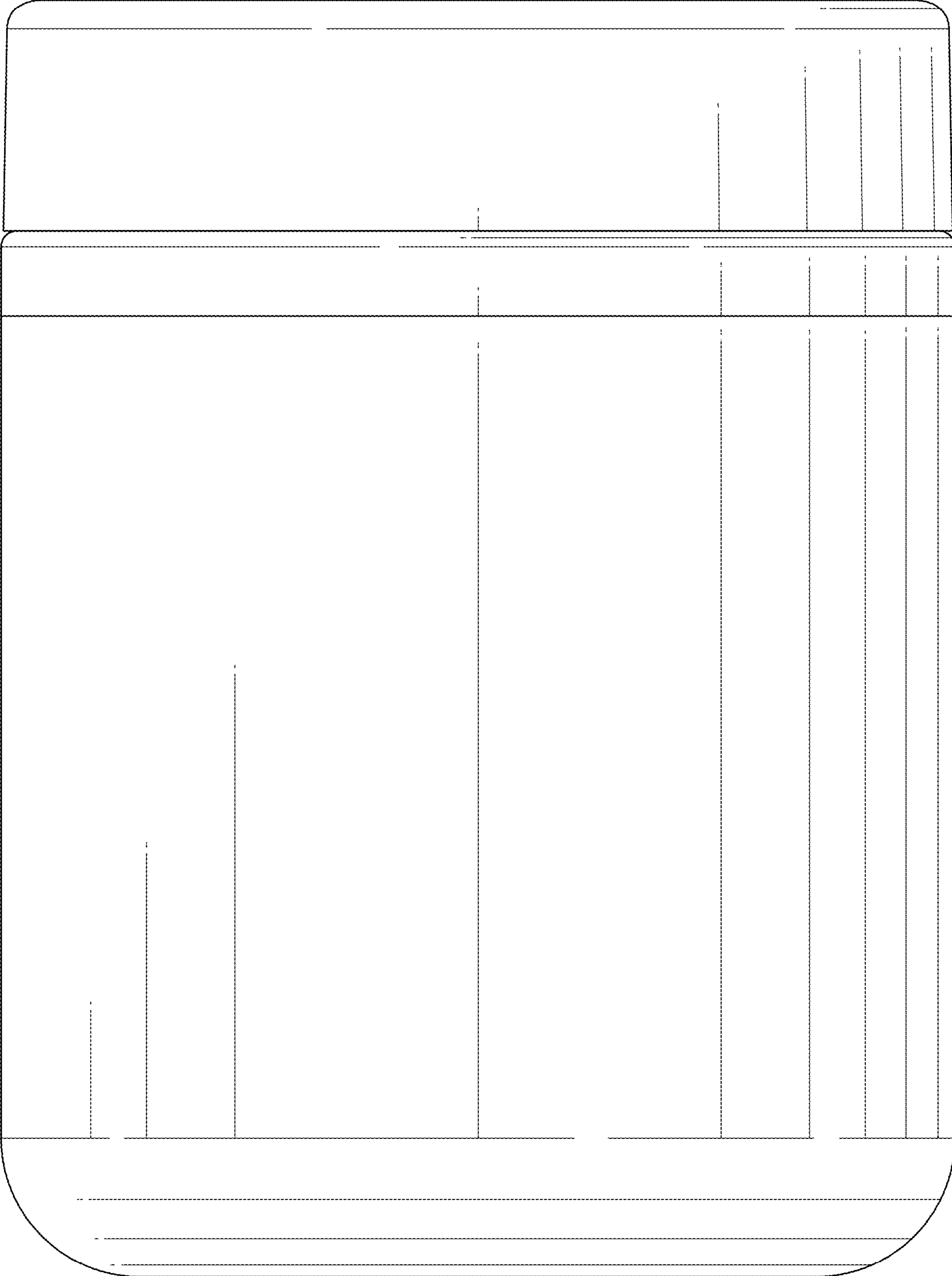


FIG. 19

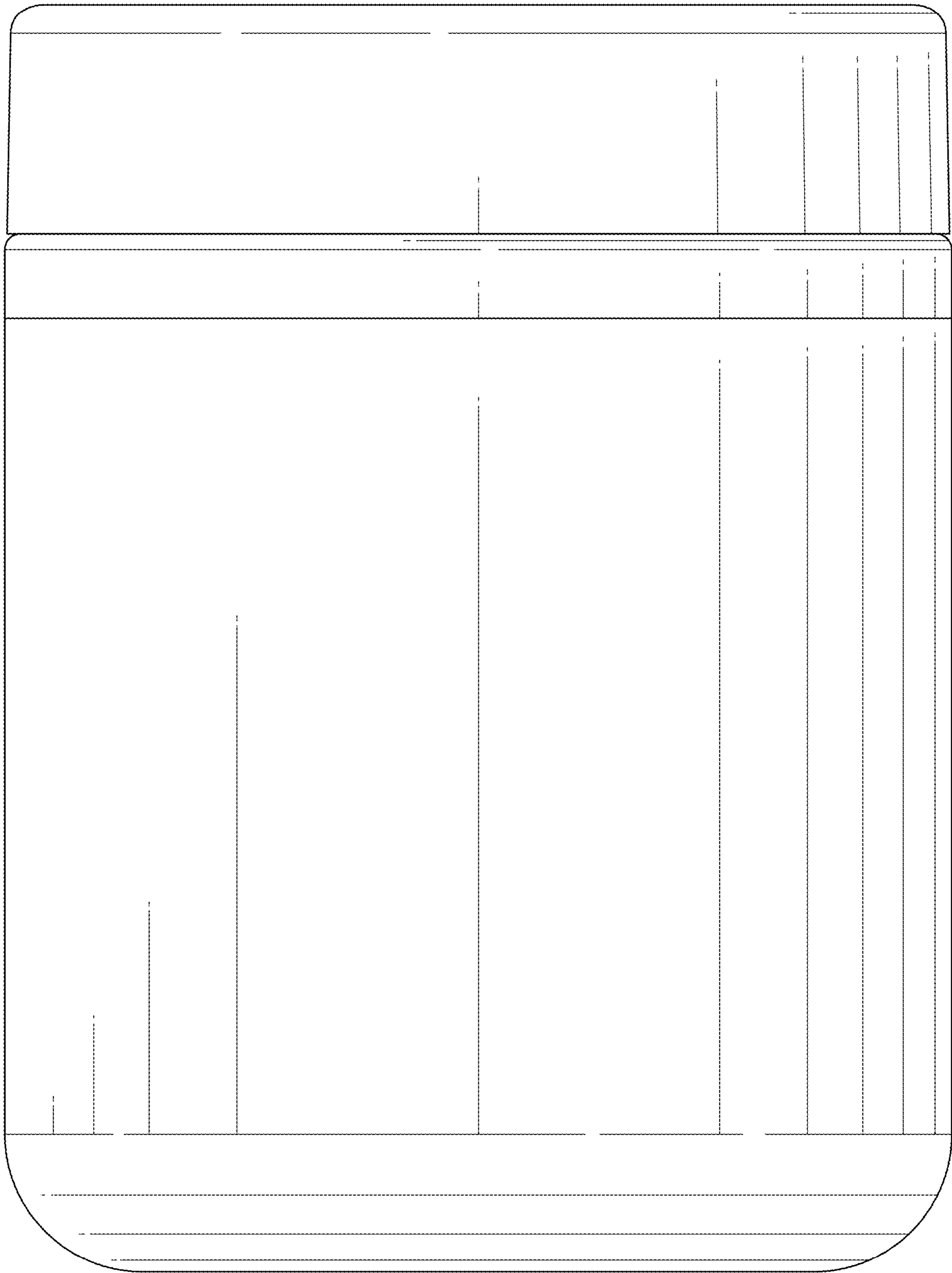


FIG. 20

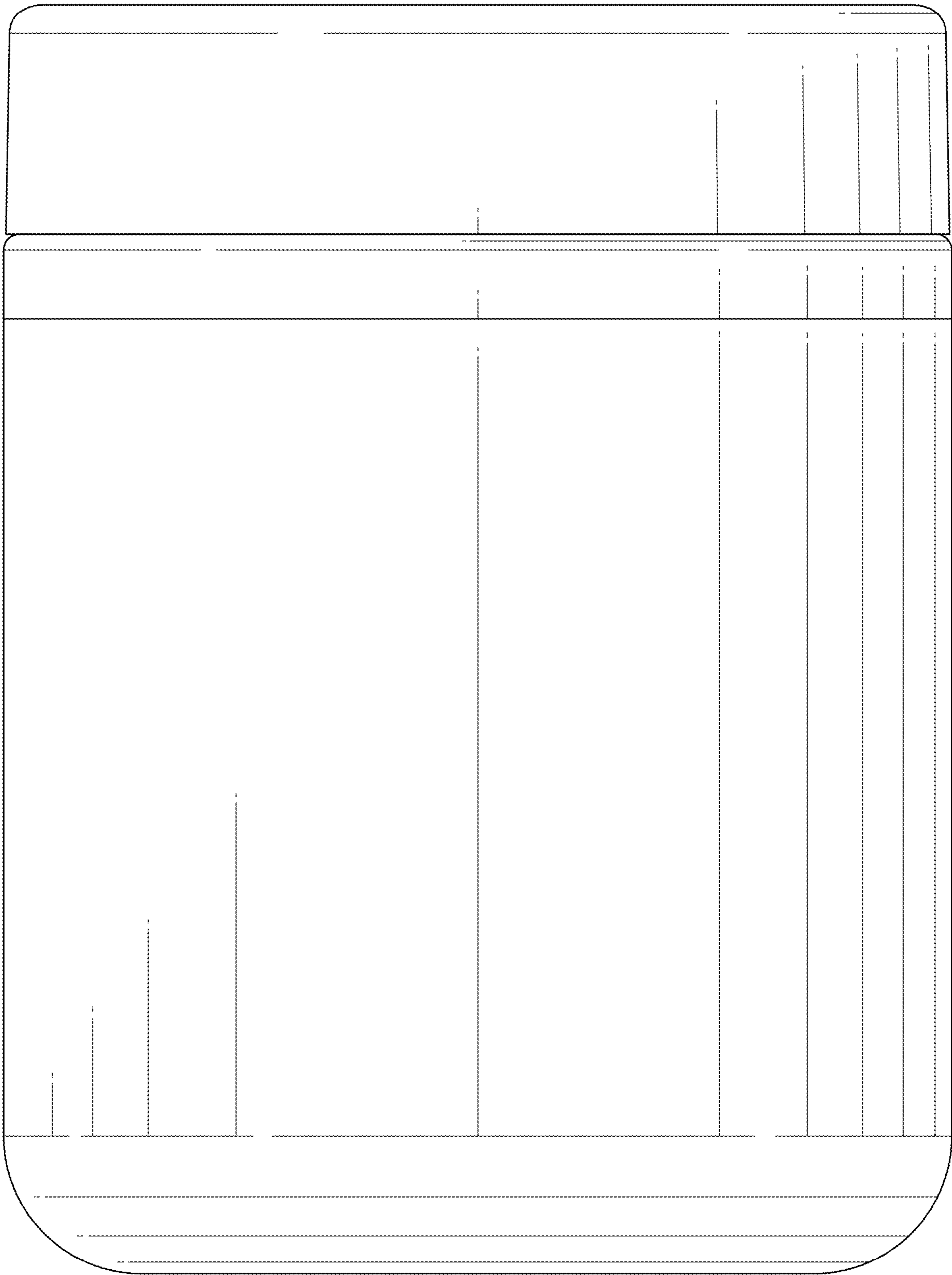


FIG. 21



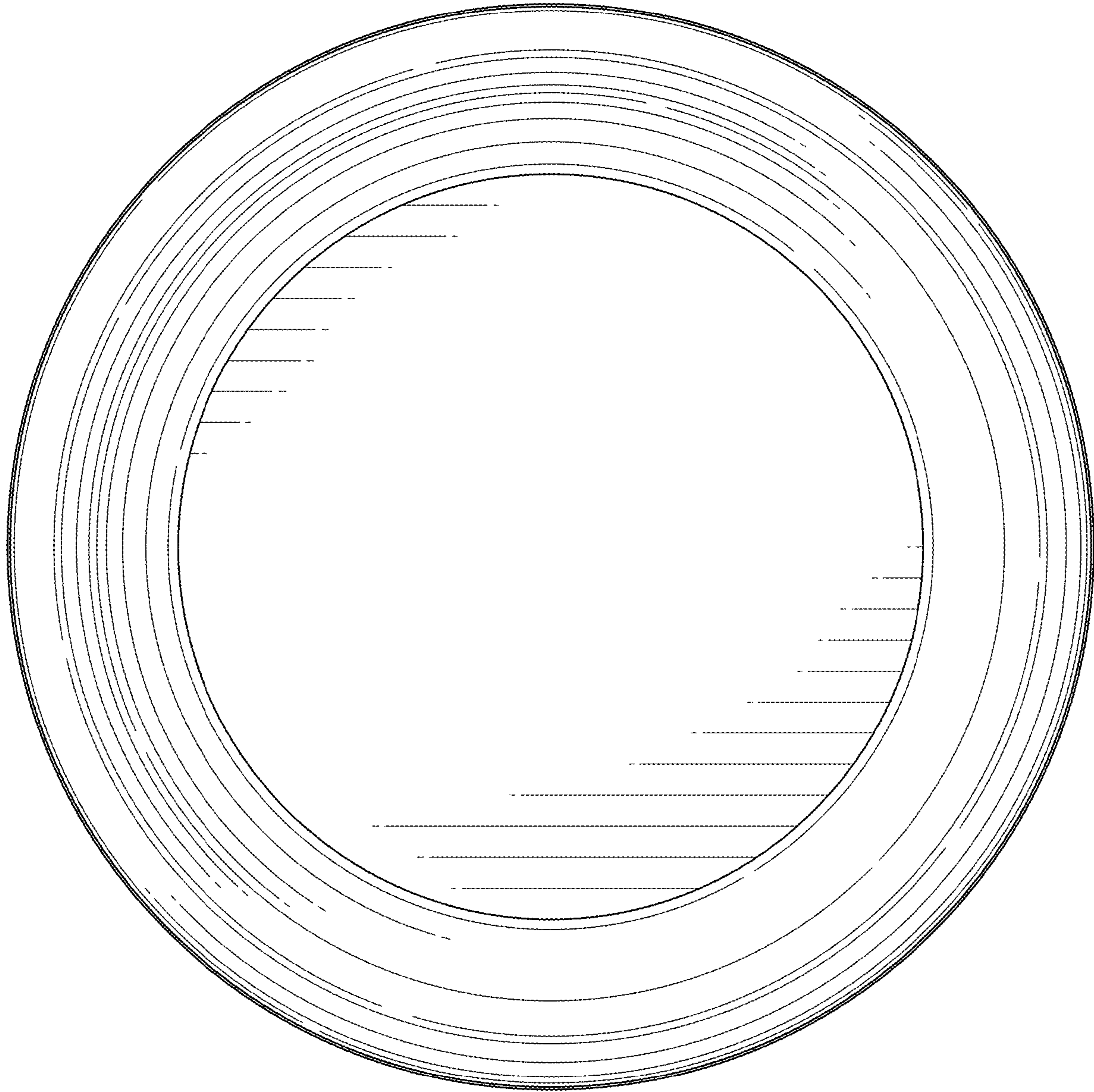


FIG. 22

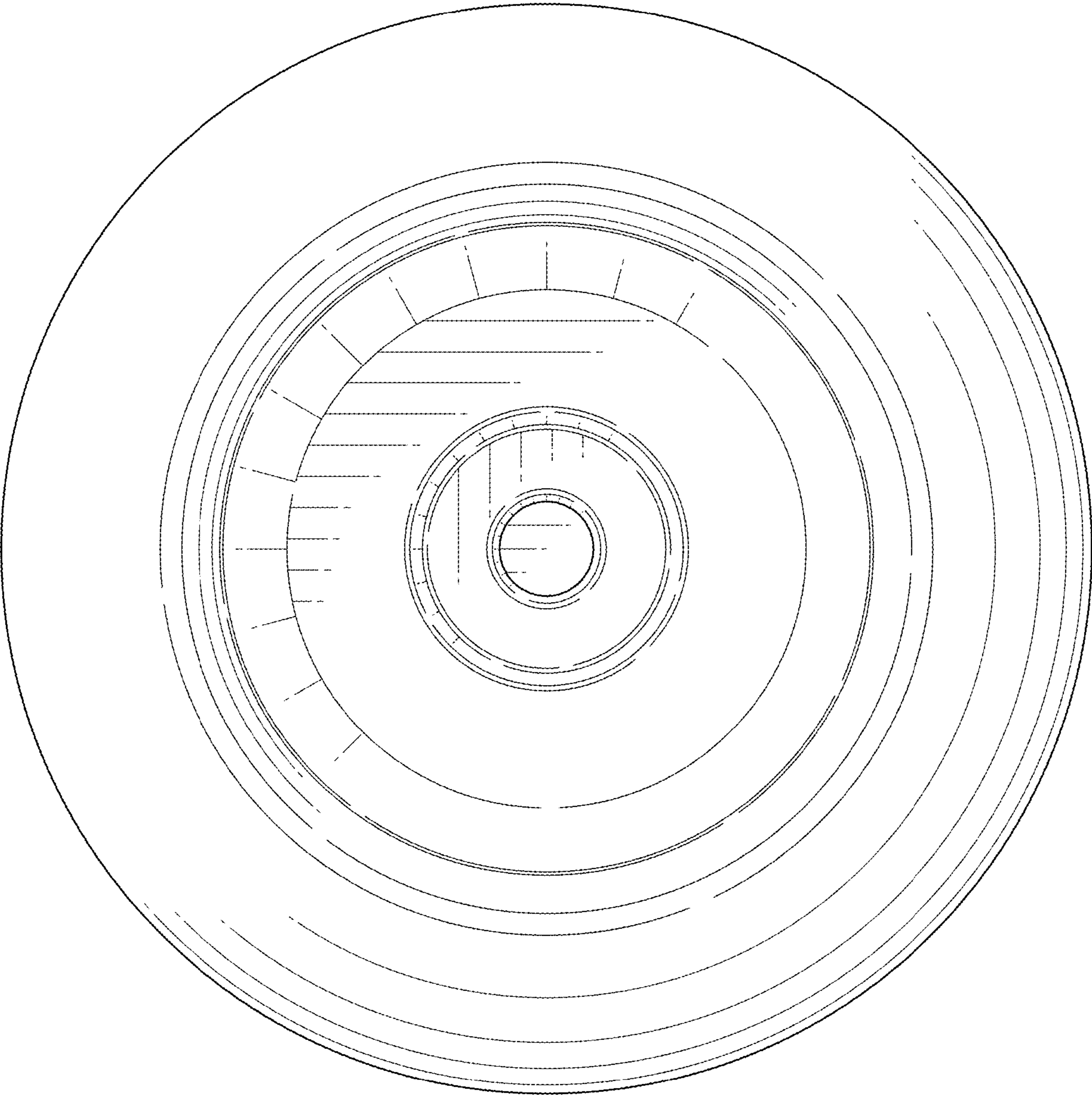


FIG. 23

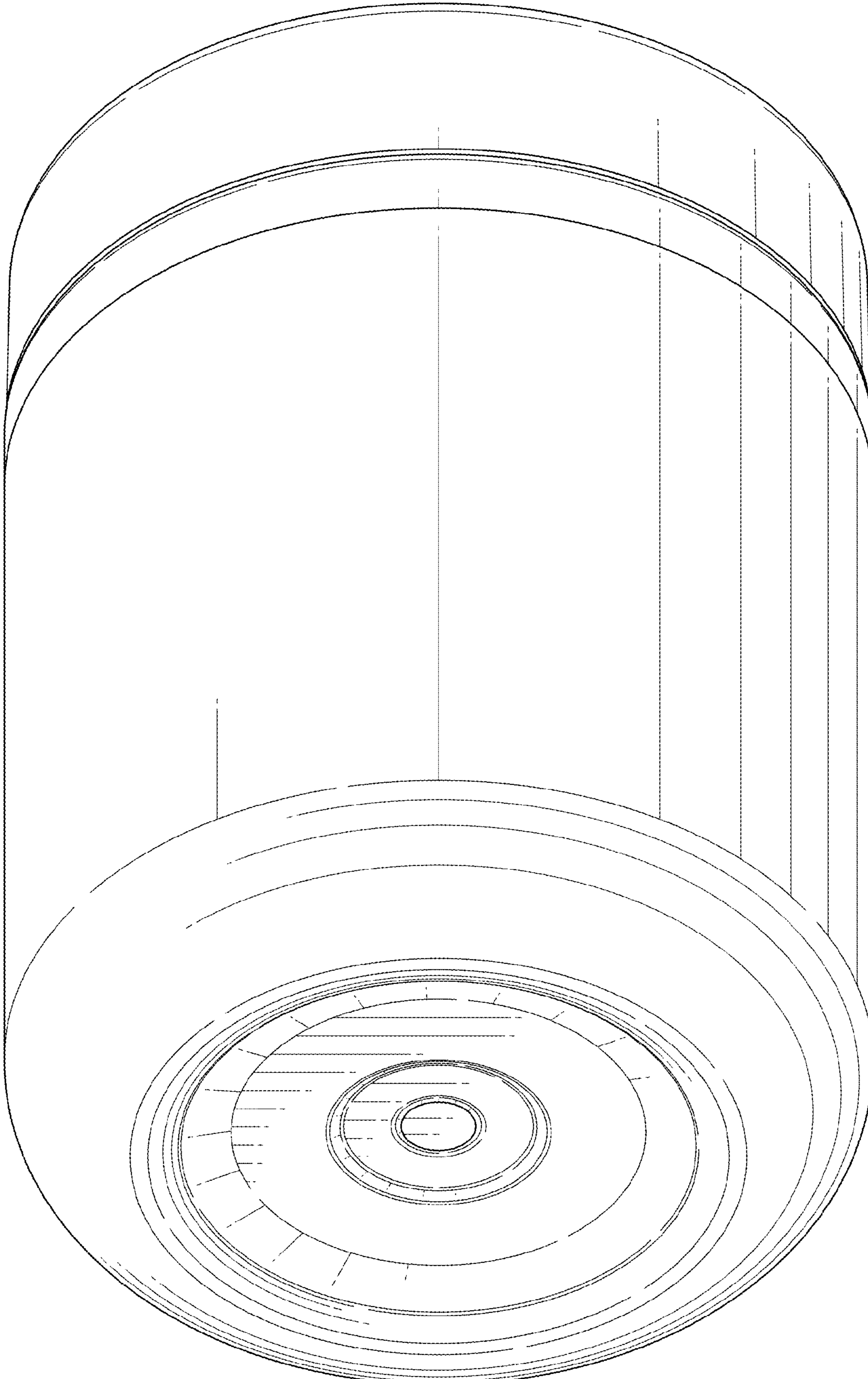


FIG. 24