



US00D941635S

(12) **United States Design Patent** (10) **Patent No.:** **US D941,635 S**  
**Mukri** (45) **Date of Patent:** **\*\* \*Jan. 25, 2022**

(54) **BAG**

(71) Applicant: **Kinara International Limited**, Sheung Wan (HK)

(72) Inventor: **Mohamed Bashir Mukri**, Guangzhou (CN)

(73) Assignee: **Kinara International Limited**, Sheung Wan (HK)

(\* ) Notice: This patent is subject to a terminal disclaimer.

(\*\*) Term: **15 Years**

(21) Appl. No.: **29/703,305**

(22) Filed: **Aug. 26, 2019**

**Related U.S. Application Data**

(63) Continuation of application No. 29/697,074, filed on Jul. 3, 2019.

(51) **LOC (13) Cl.** ..... **03-01**

(52) **U.S. Cl.**  
USPC ..... **D7/607**; D3/217; D3/283; D3/289

(58) **Field of Classification Search**  
USPC ..... D3/201, 217, 273, 276, 279, 283, 285,  
D3/289, 290, 900, 902, 905, 257, 258;  
D7/605, 607

(Continued)

(56) **References Cited**

**U.S. PATENT DOCUMENTS**

D762,978 S \* 8/2016 Boroski ..... D3/283  
D834,817 S \* 12/2018 Hoppe ..... D3/263

(Continued)

**FOREIGN PATENT DOCUMENTS**

CA 2949288 C 1/2017  
CN 304108410 S 4/2017

**OTHER PUBLICATIONS**

Uber Eats Kit, "Large Backpack with Expanding Pizza Pocket", Accessed Jun. 14, 2021. ([https://www.ubereatskit.co.uk/gear/outrider-telescopic-bag\\_146\\_1077](https://www.ubereatskit.co.uk/gear/outrider-telescopic-bag_146_1077)) (Year: 2021).\*

(Continued)

*Primary Examiner* — April Rivas

(74) *Attorney, Agent, or Firm* — Banner & Witcoff, Ltd.

(57) **CLAIM**

The ornamental design for a bag, as shown and described.

**DESCRIPTION**

FIG. 1 is a front perspective view of a bag showing my new design;

FIG. 2 is a front view thereof;

FIG. 3 is a rear view thereof;

FIG. 4 is a left side view thereof;

FIG. 5 is a right side view thereof;

FIG. 6 is a top view thereof;

FIG. 7 is a bottom view thereof;

FIG. 8 is a front perspective view of the bag of FIGS. 1-7 with the pockets shown in an expanded state;

FIG. 9 is a front view thereof;

FIG. 10 is a rear view thereof;

FIG. 11 is a left side view thereof;

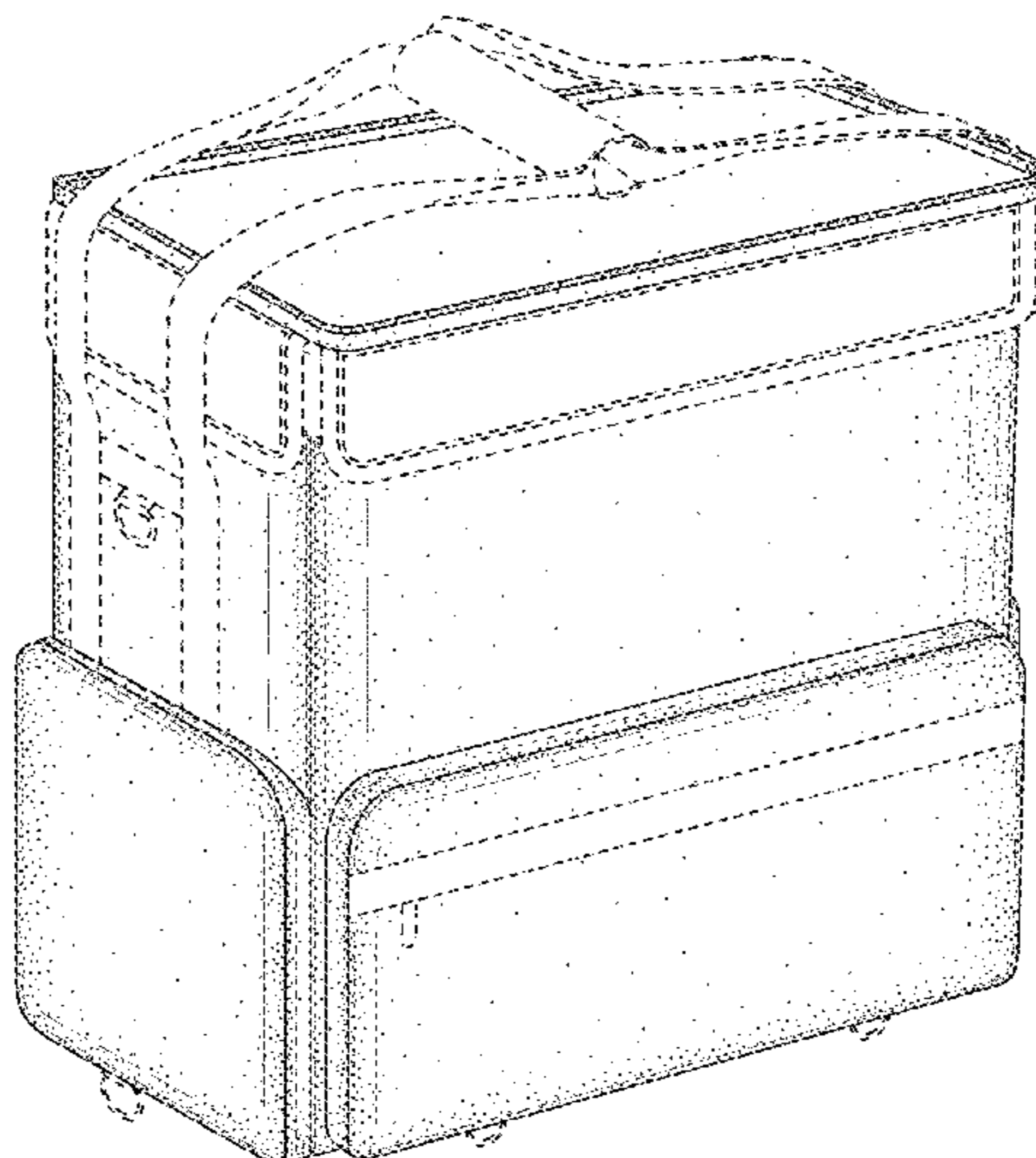
FIG. 12 is a right side view thereof;

FIG. 13 is a top view thereof; and,

FIG. 14 is a bottom view thereof.

The broken lines in the areas between the lower panels and the body of the bag represent panel seams and form no part of the claimed design. The broken line defined areas and the unshaded regions therein representing the upper three flaps, the bottom of the bag, and the stripe on the front lower pocket form no part of the claimed design. The unshaded rear portion of the bag forms no part of the claimed design. The broken lines depicting the straps, rings, zipper pulls, and other elements on the remainder of the bag show features that form no part of the claimed design.

**1 Claim, 14 Drawing Sheets**



(58) **Field of Classification Search**

CPC ..... A45C 2003/008; A45C 2005/035; B25H  
3/02

See application file for complete search history.

(56) **References Cited**

U.S. PATENT DOCUMENTS

D845,625 S	*	4/2019	Barlier .....	D7/607
D861,335 S	*	10/2019	Barlier .....	D7/607
D871,854 S	*	1/2020	Vickery .....	D7/607
D893,183 S	*	8/2020	Eisenhardt .....	D3/283
D902,582 S	*	11/2020	Huang .....	D3/217
D911,710 S	*	3/2021	Karalis .....	D3/289
D917,874 S	*	5/2021	Zhang .....	D3/217
D918,583 S	*	5/2021	Fu .....	D3/289

OTHER PUBLICATIONS

Sora News 24, "Amazon Japan are selling Uber Eats backpacks and they're surprisingly useful", Posted Oct. 9, 2020. (<https://soranews24.com/2020/10/09/amazon-japan-are-selling-uber-eats-backpacks-and-theyre-surprisingly-useful/>) (Year: 2020).\*

\* cited by examiner

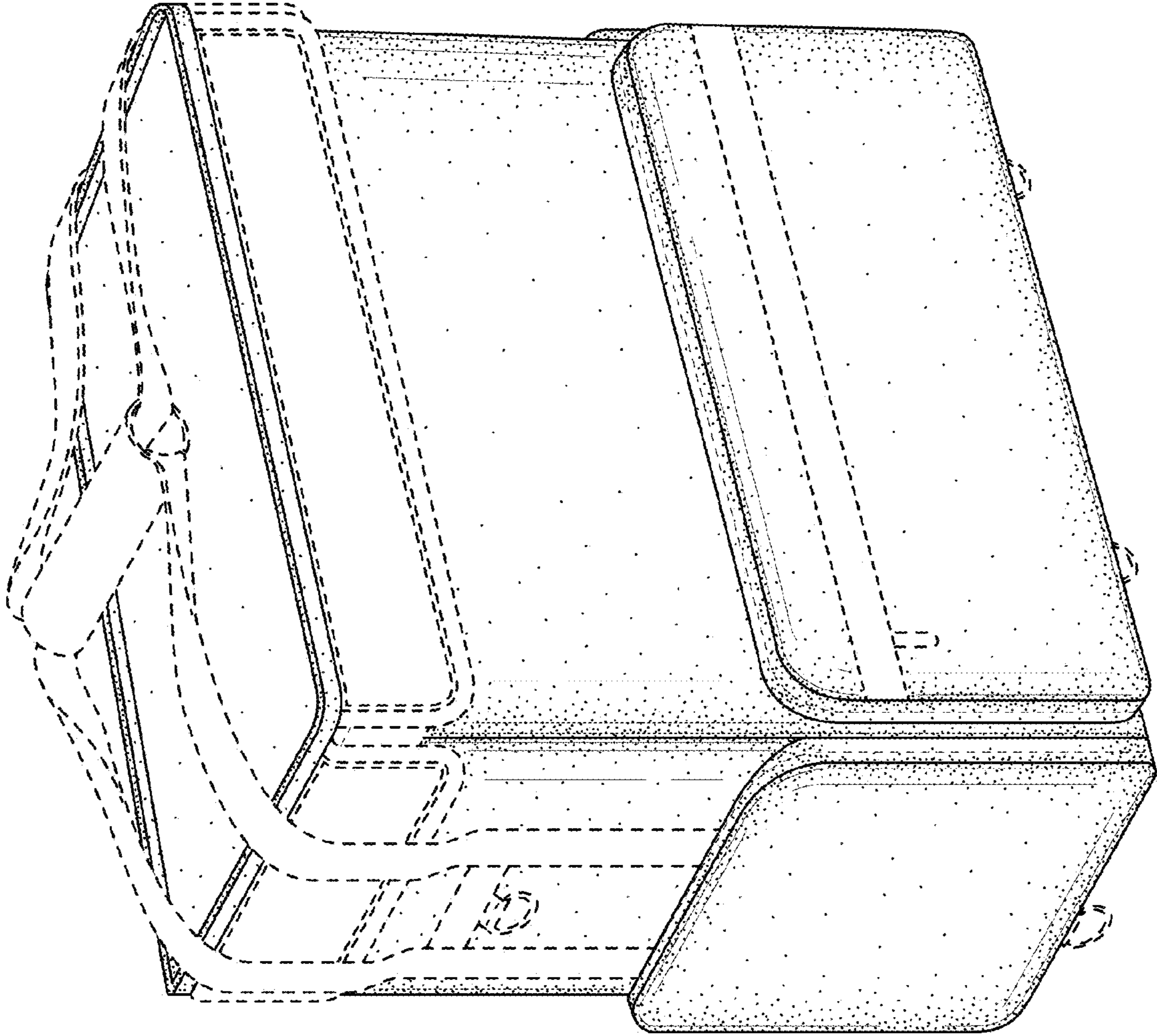


FIG. 1

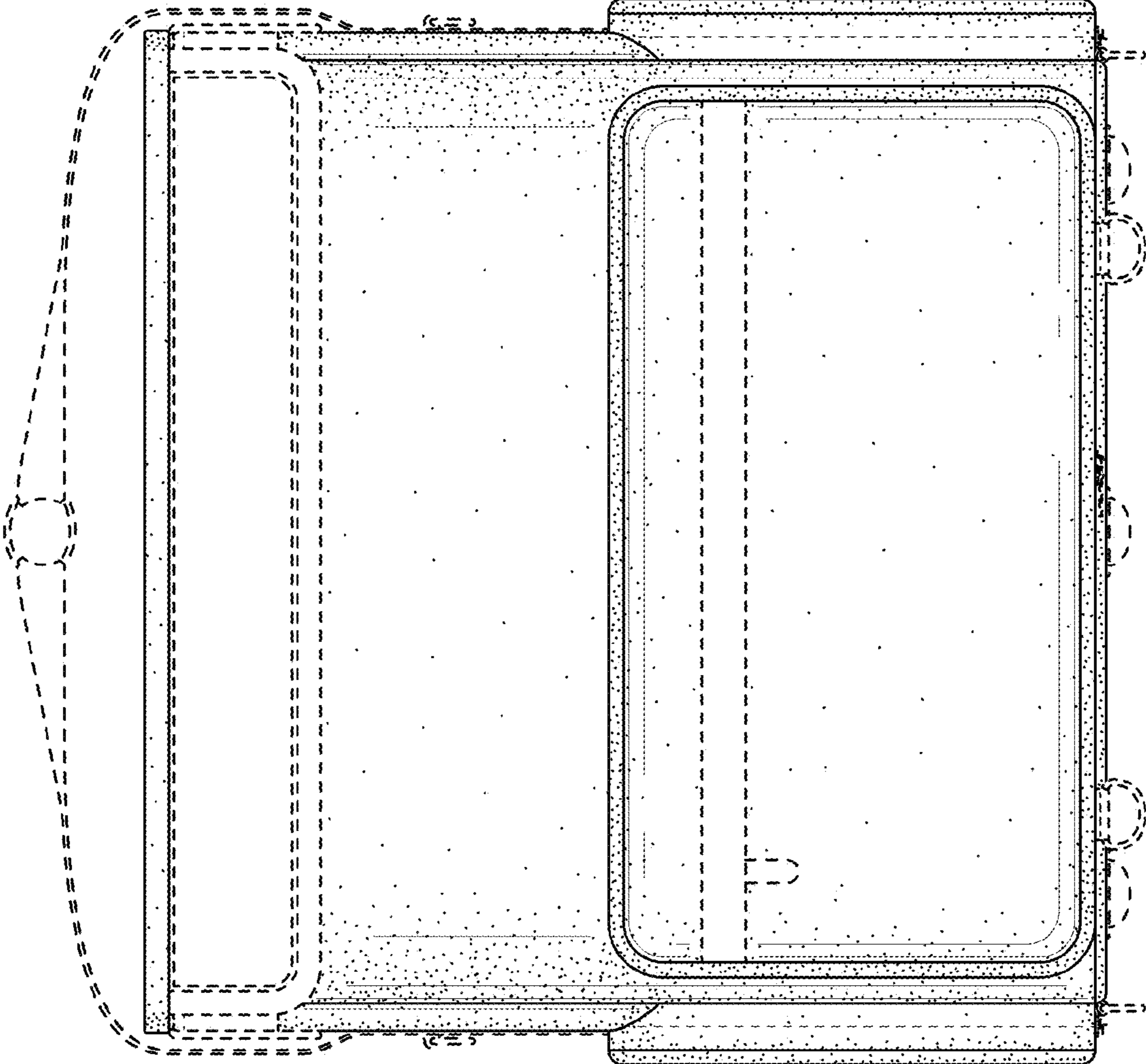


FIG. 2

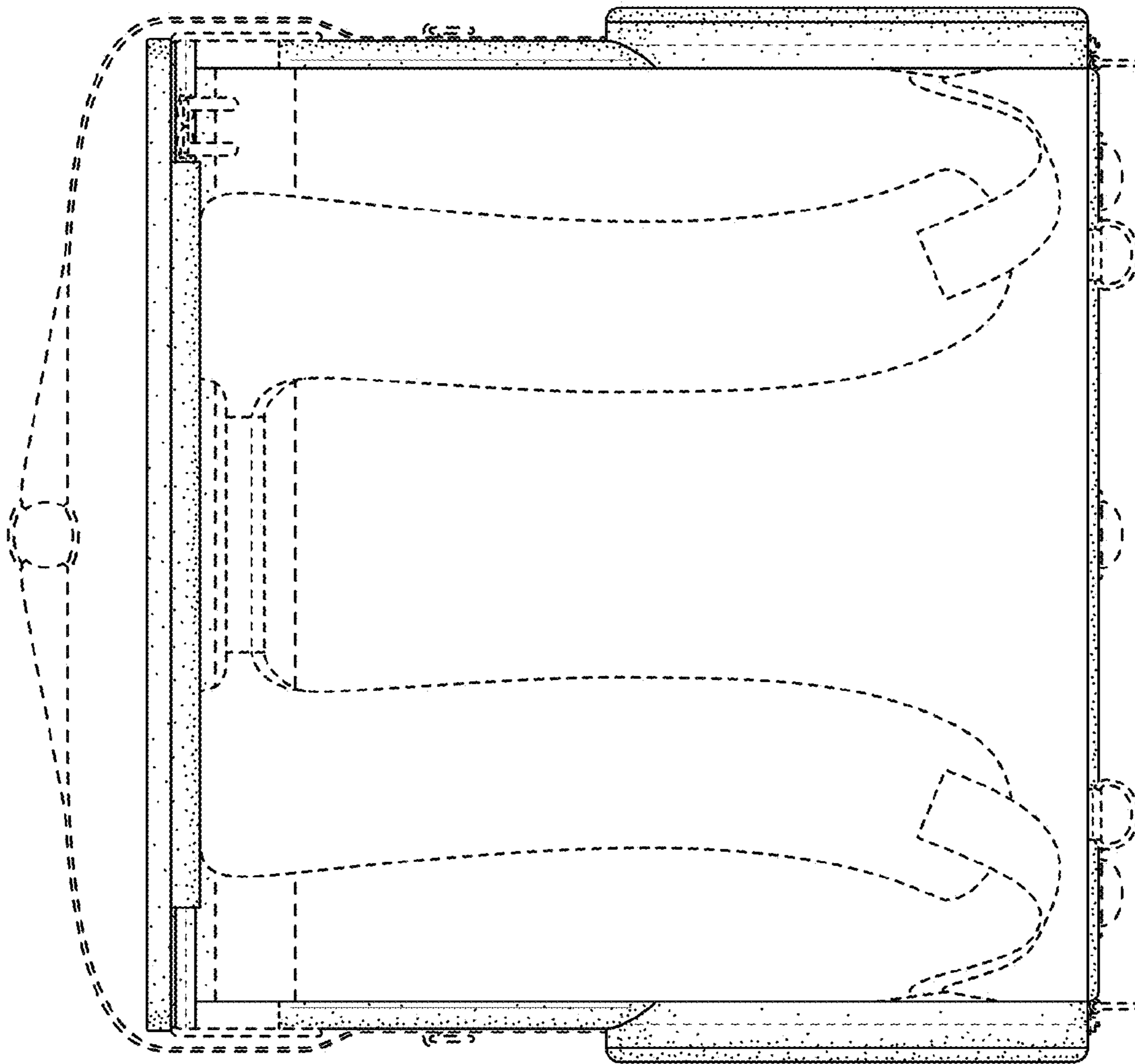


FIG. 3

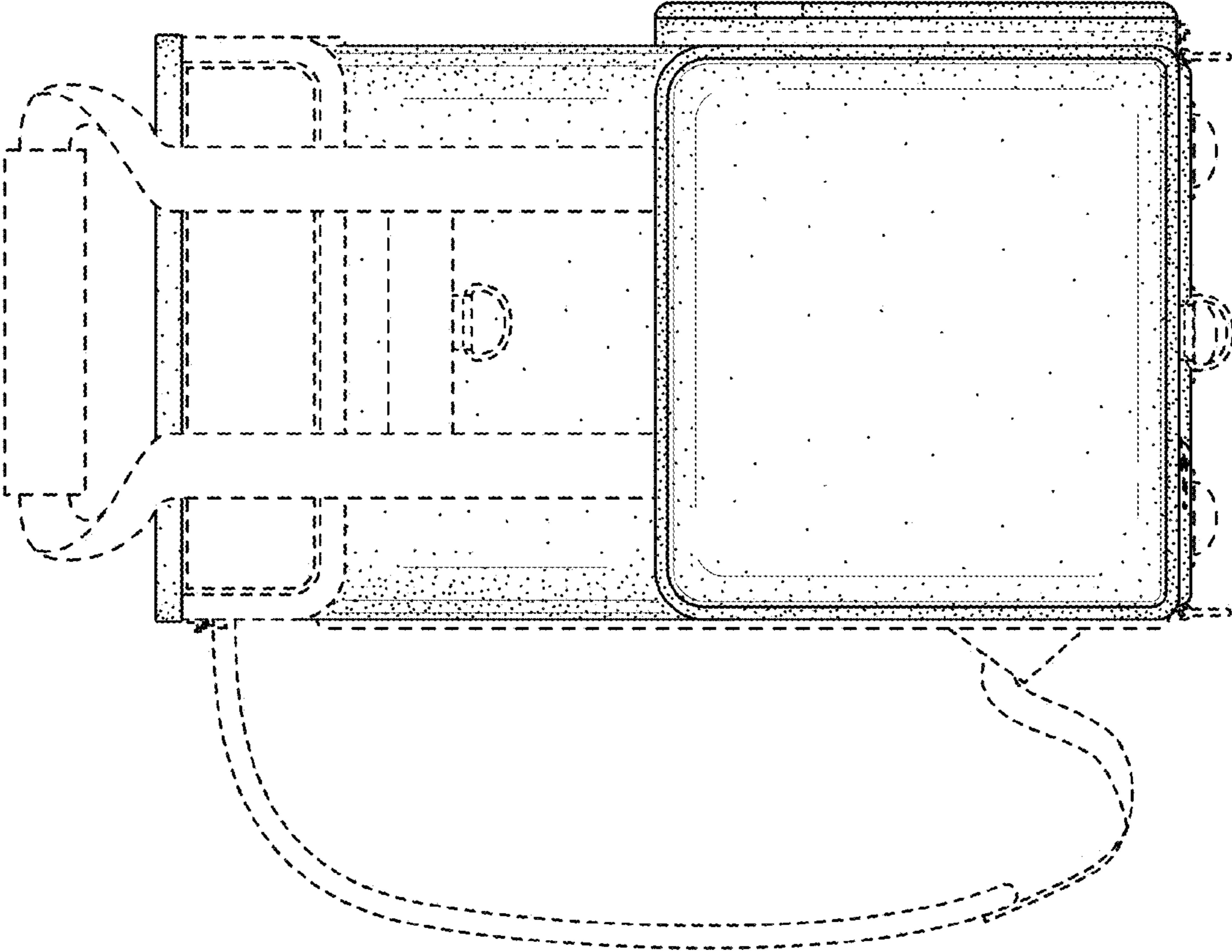


FIG. 4

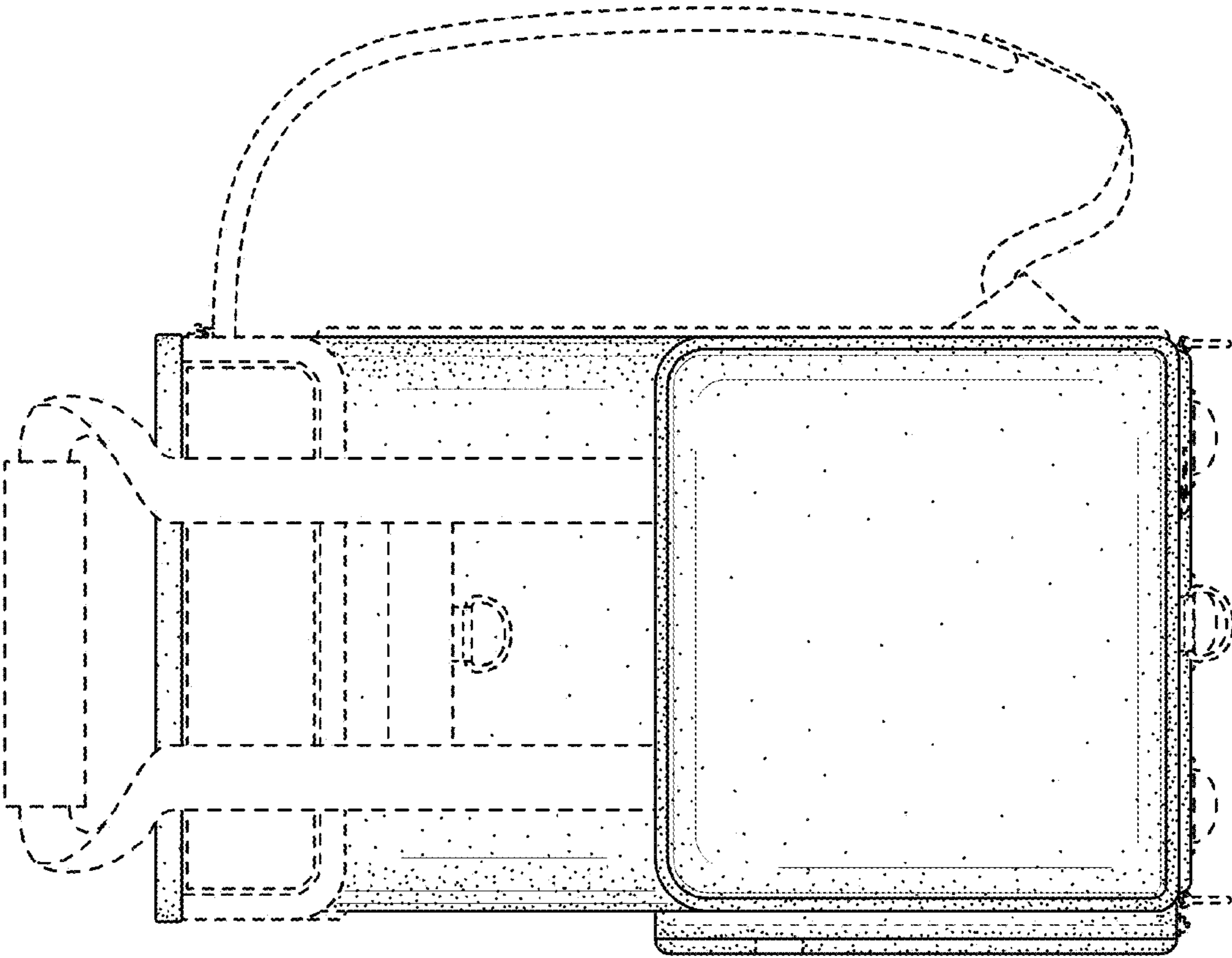


FIG. 5

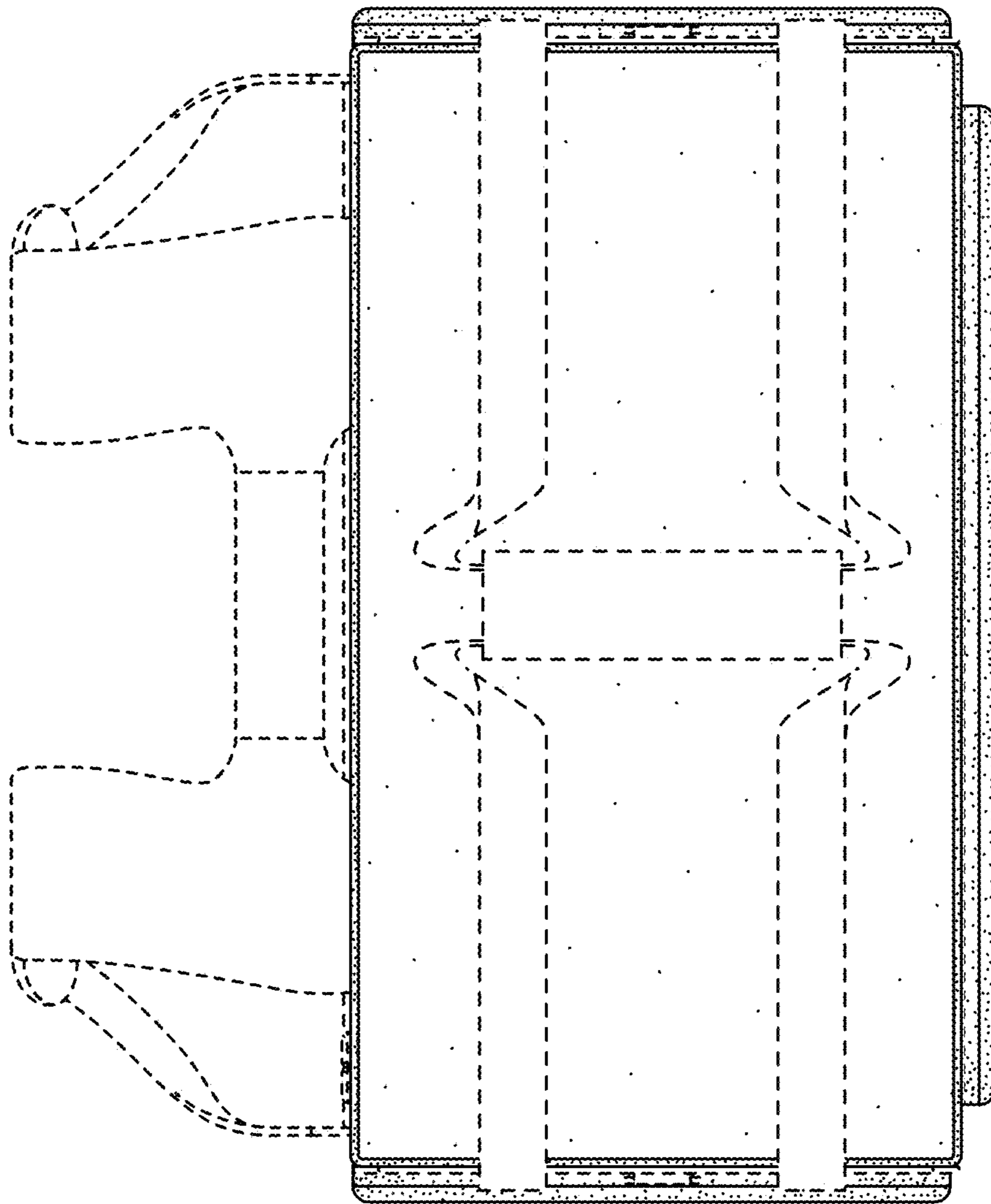


FIG. 6



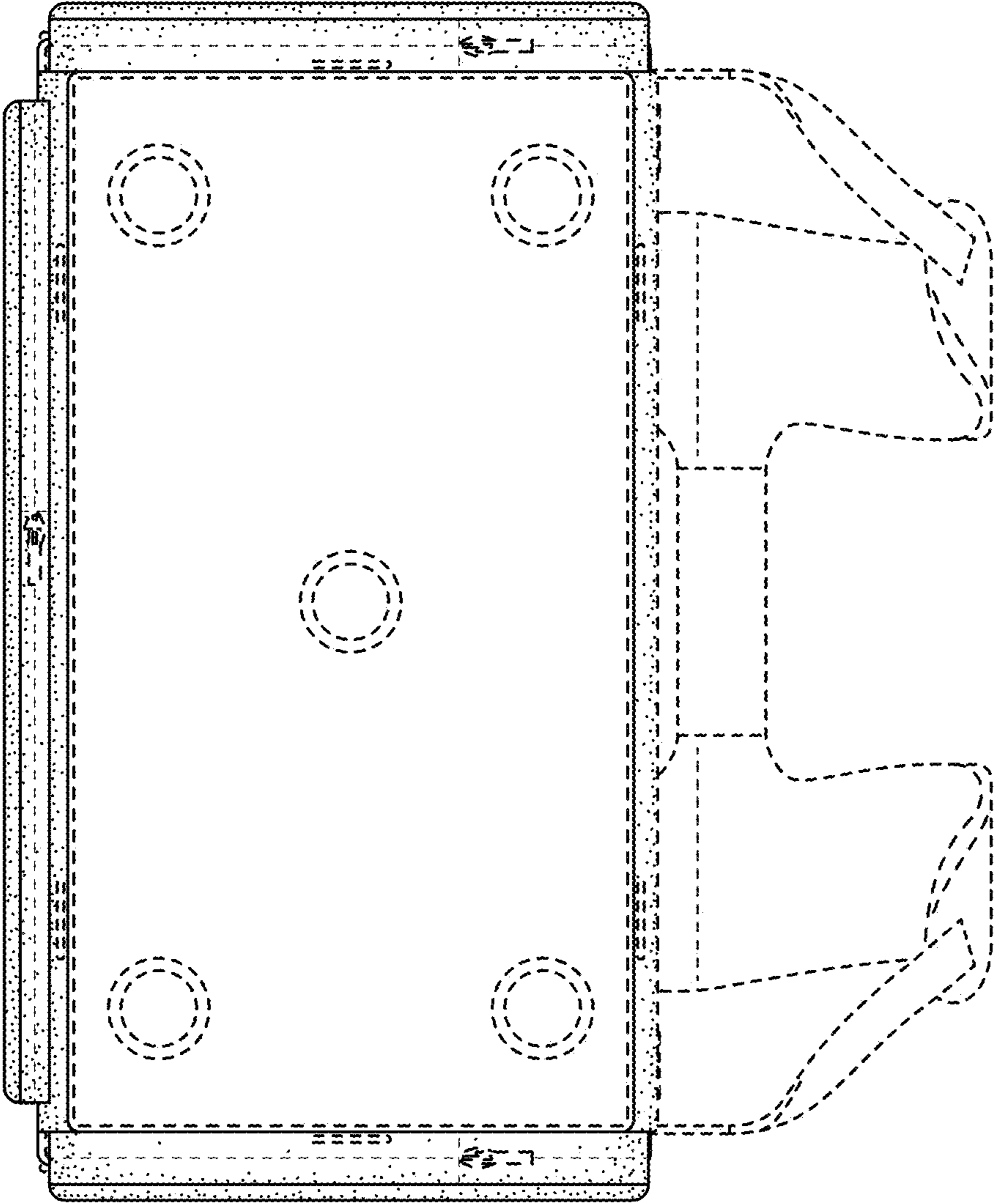


FIG. 7

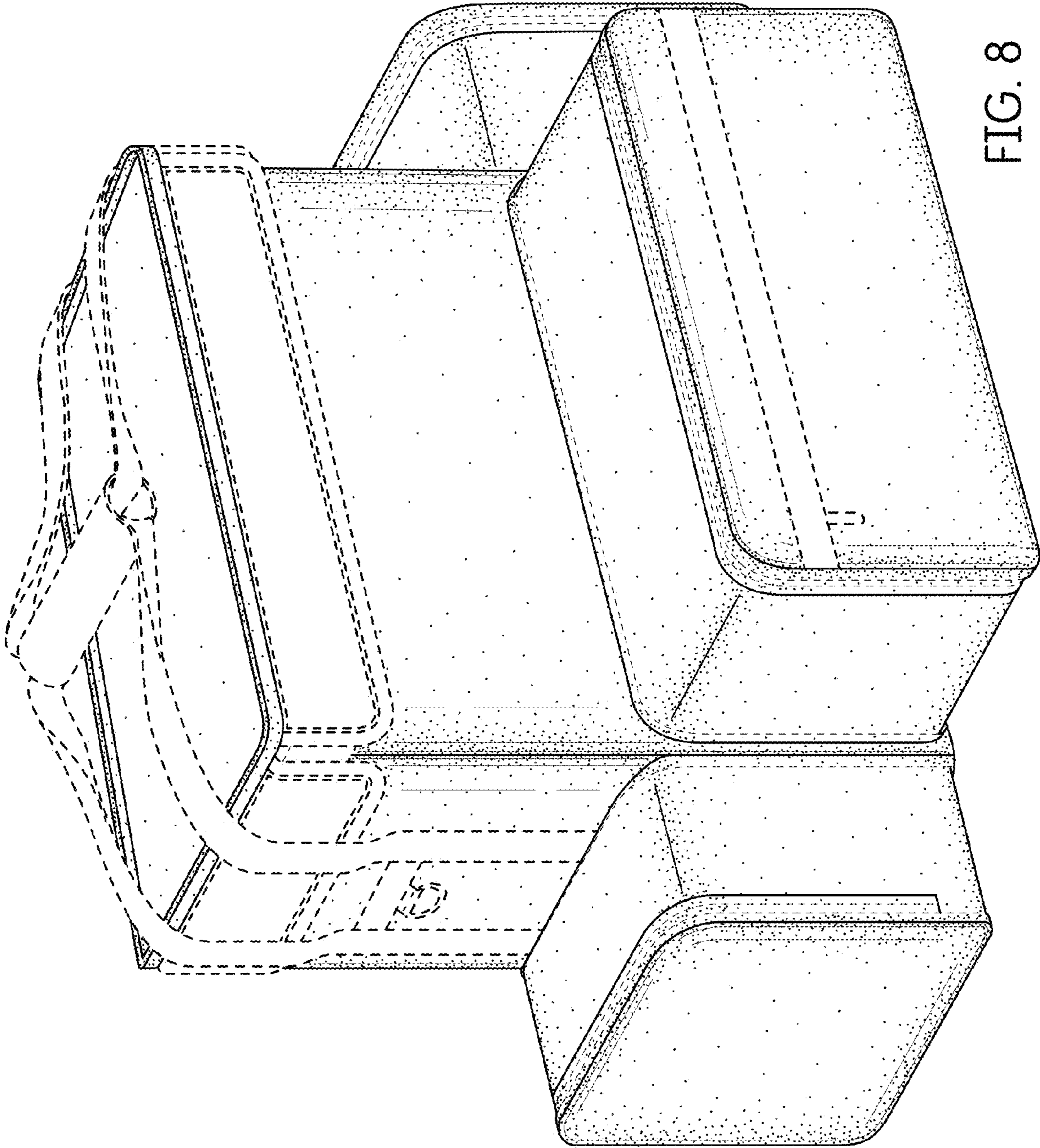


FIG. 8

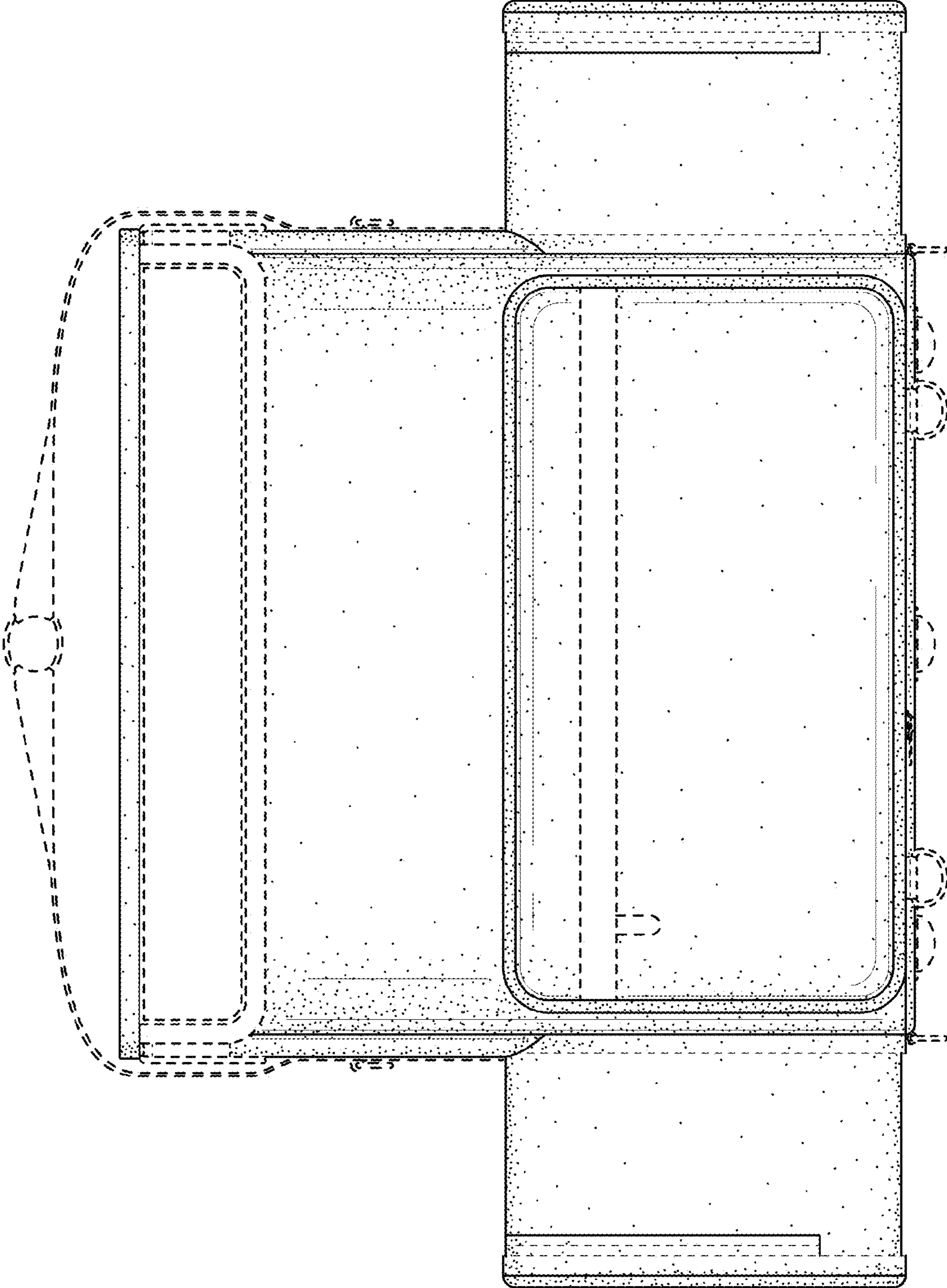


FIG. 9

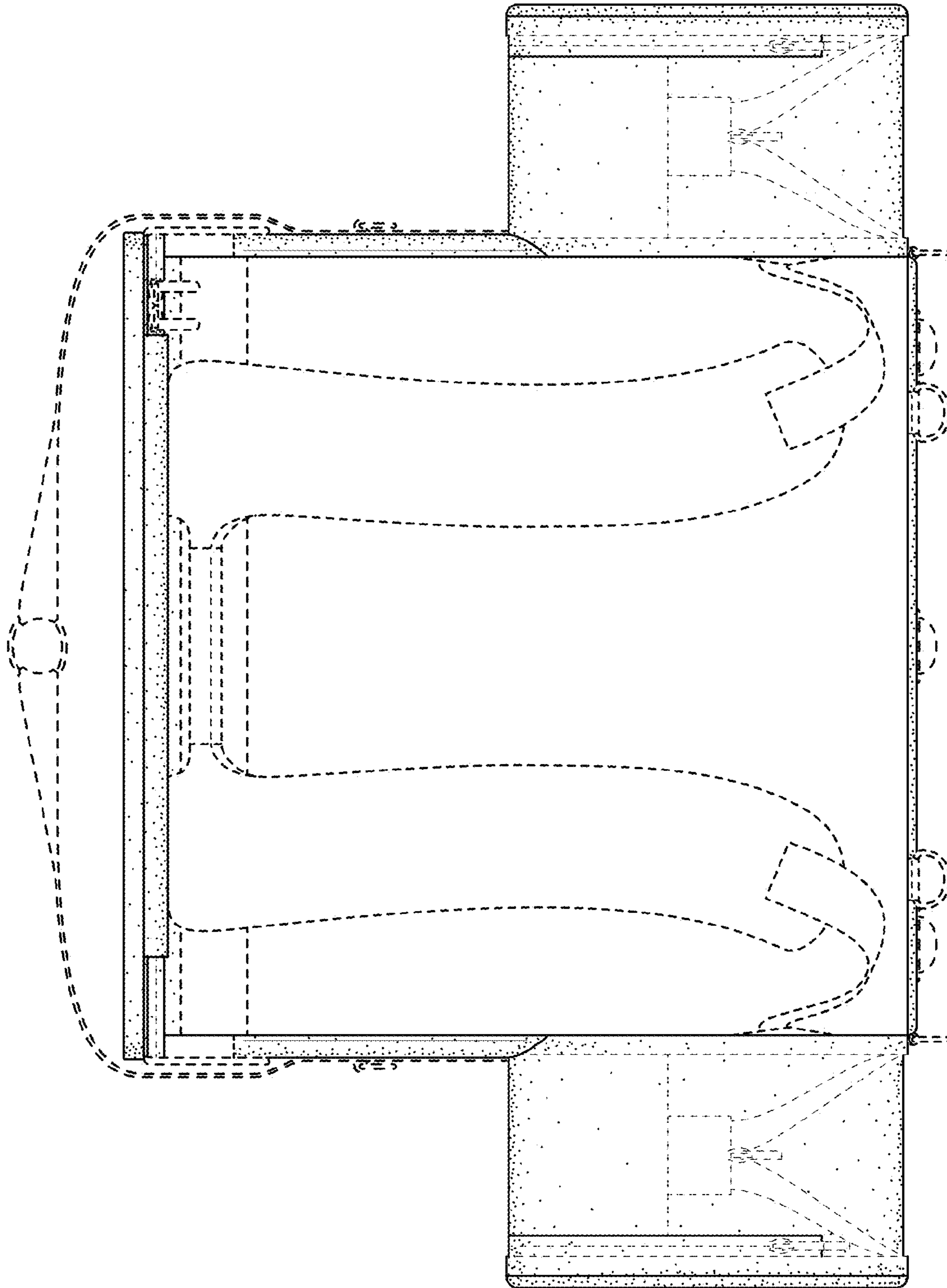


FIG. 10

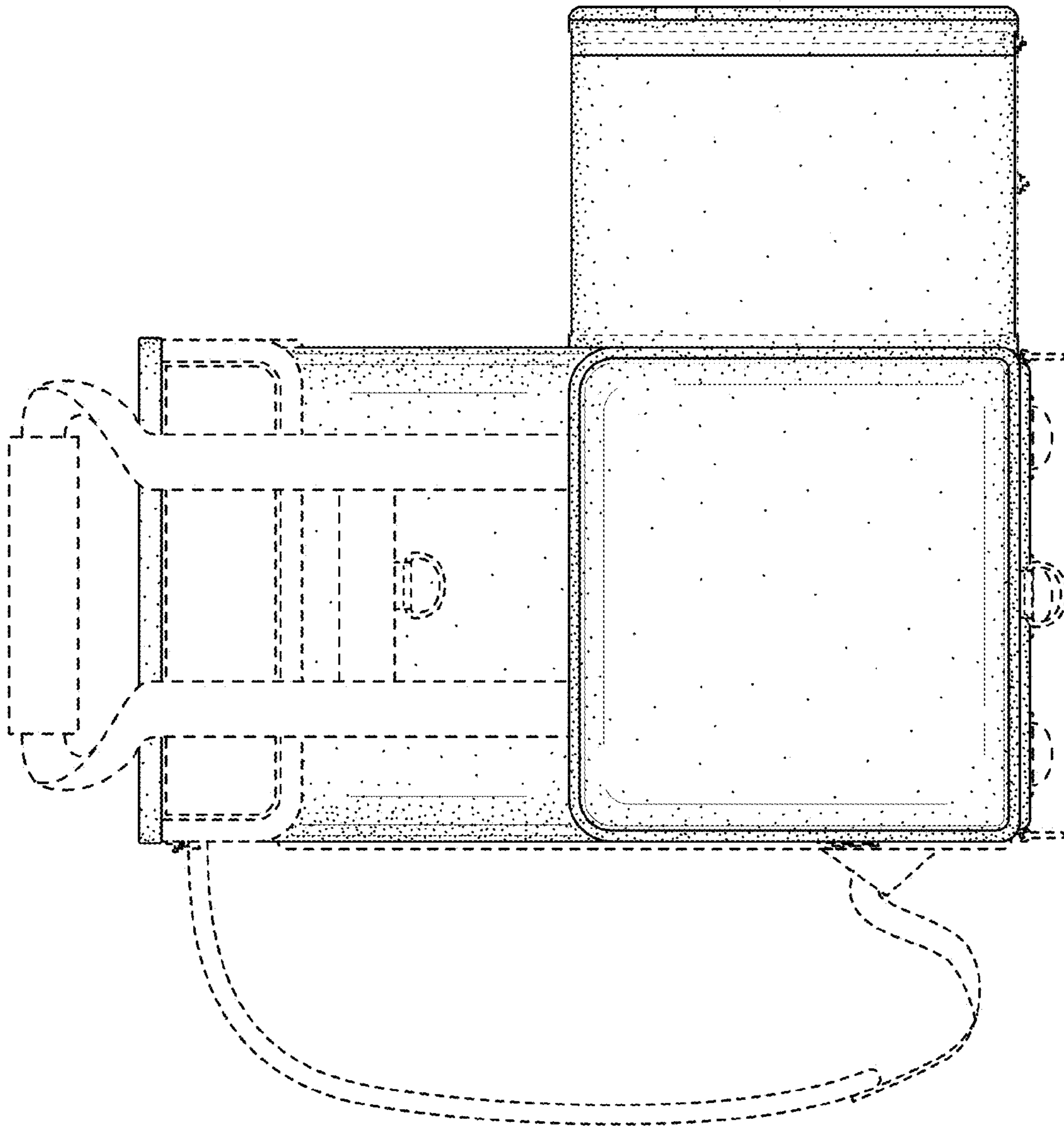


FIG. 11

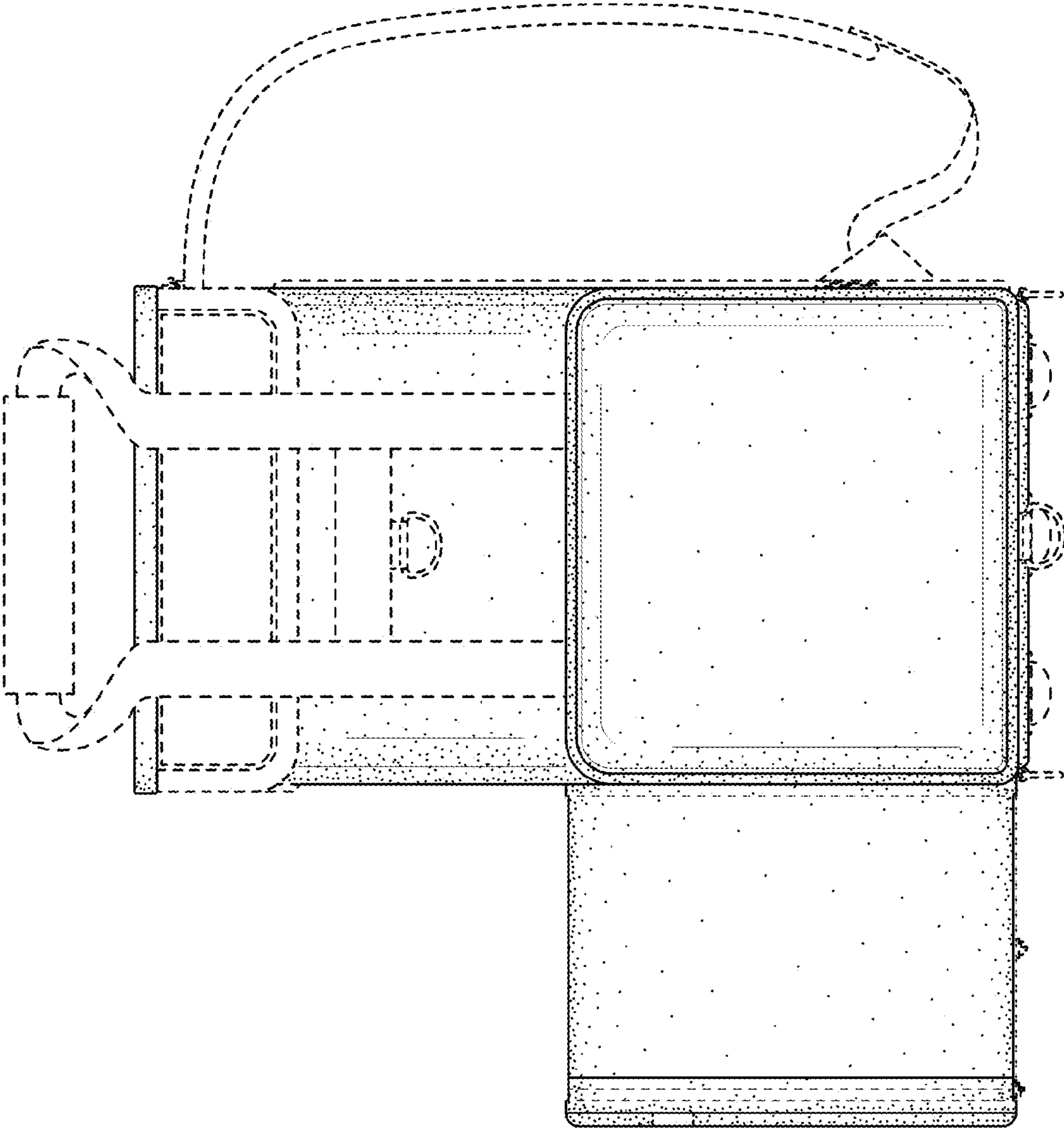


FIG. 12

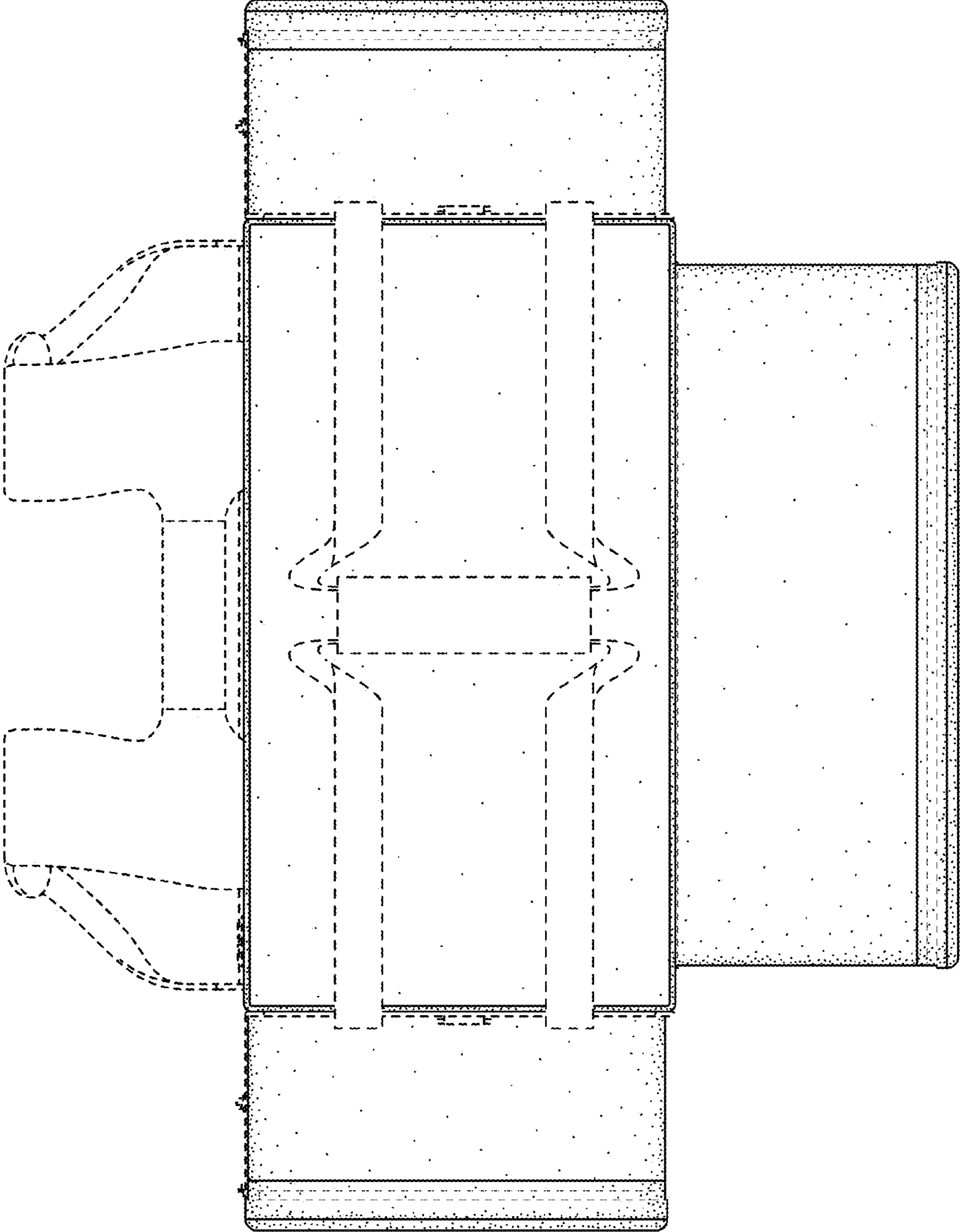


FIG. 13

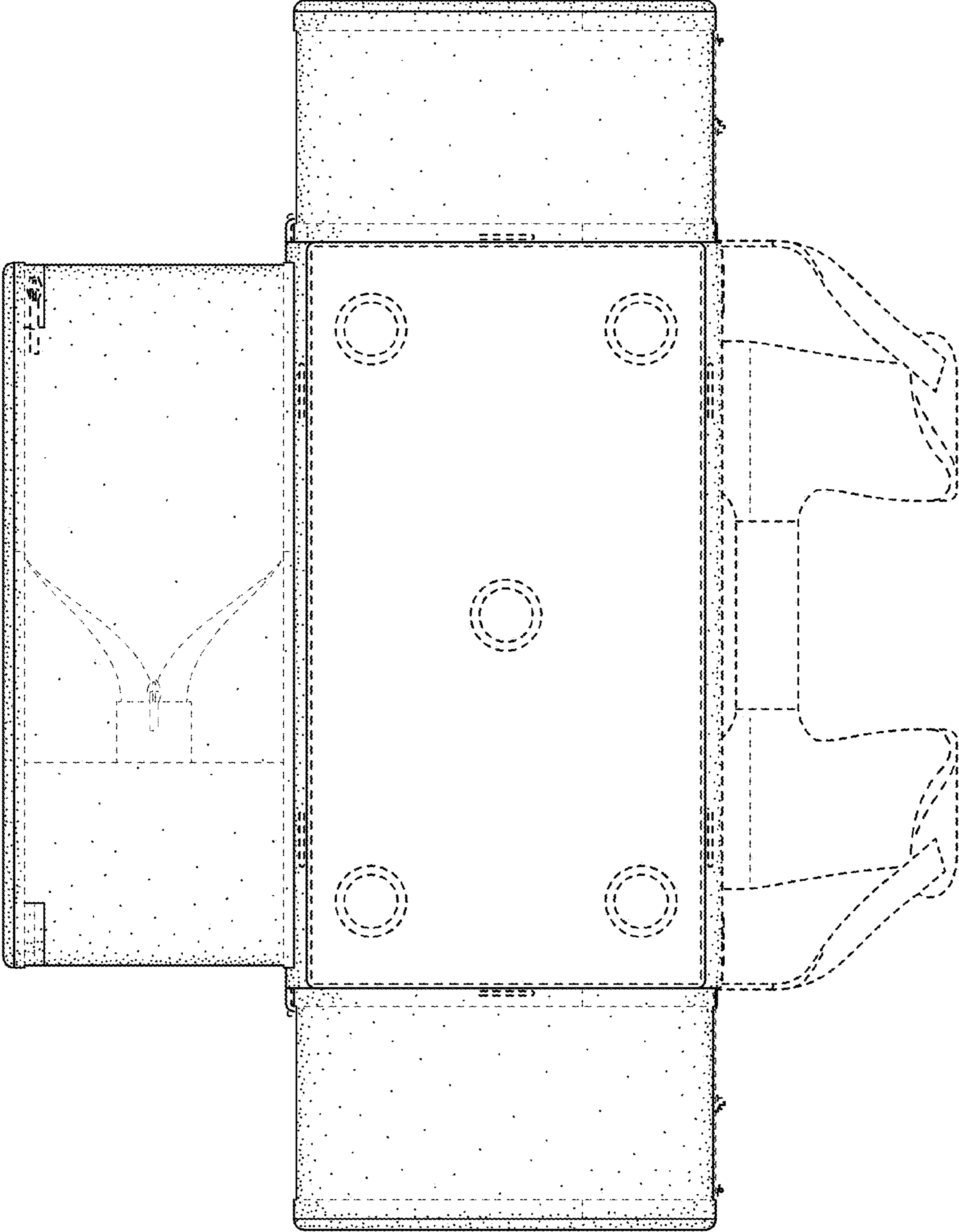


FIG. 14