



US00D941633S

(12) **United States Design Patent** (10) **Patent No.:** **US D941,633 S**  
**Ghiorghie et al.** (45) **Date of Patent:** **\*\* Jan. 25, 2022**

(54) **TURNTABLE**

(71) Applicant: **InterDesign, Inc.**, Solon, OH (US)

(72) Inventors: **Radu Alexandru Ghiorghie**, Copley, OH (US); **Sara Czukal McBride**, Wickliffe, OH (US)

(73) Assignee: **InterDesign, Inc.**, Solon, OH (US)

(\*\*) Term: **15 Years**

(21) Appl. No.: **29/727,206**

(22) Filed: **Mar. 9, 2020**

(51) **LOC (13) Cl.** ..... **07-07**

(52) **U.S. Cl.**  
USPC ..... **D7/501**; D6/677

(58) **Field of Classification Search**  
USPC ..... D7/501, 500, 553.6, 554.1, 590, 600.2;  
D6/691, 349, 685, 406.6, 677, 677.1,  
D6/677.2; 211/74, 133.4  
CPC ..... A47J 47/16  
See application file for complete search history.

(56) **References Cited**

**U.S. PATENT DOCUMENTS**

X229467	6/1880	Remhoff	
X846948	3/1907	Richter	
D67,011 S *	4/1925	Clarke	D7/557
D72,249 S	3/1927	Orzo	
1,687,149 A	10/1928	Schauer et al.	
1,941,906 A	1/1934	Marinsky	
2,058,002 A	10/1936	Daum	
D118,238 S	12/1939	Klusmeyer	
2,198,091 A	4/1940	Rodolfa	
D149,046 S	3/1948	Blumenthal	
2,638,400 A	5/1953	Spotts	
2,693,989 A	11/1954	Santana et al.	
2,727,645 A	12/1955	Dore	
2,831,582 A	4/1958	Cody	
2,978,285 A *	4/1961	Jester	A47F 5/02 312/284
D193,103 S *	6/1962	Westfield	D7/501

D197,981 S	4/1964	Miller	
D209,848 S	1/1968	Berend	
D210,896 S *	4/1968	Heck	D7/501
3,384,260 A	5/1968	Buffington	
3,540,985 A	11/1970	Gross	
D221,883 S *	9/1971	Cash	D7/553.6
D225,364 S *	12/1972	Antoul	D7/553.6
D238,726 S	2/1976	Labik	

(Continued)

**OTHER PUBLICATIONS**

Amazon.com iDesign Binz Turntable. Clear, Aug. 11, 2021, <https://www.amazon.com/iDesign-95238-Binz-Turntable-Clear/dp/B08VTZW4SC/> (Year: 2021).\*

*Primary Examiner* — Nathan M Johnston  
(74) *Attorney, Agent, or Firm* — Calfee, Halter & Griswold LLP

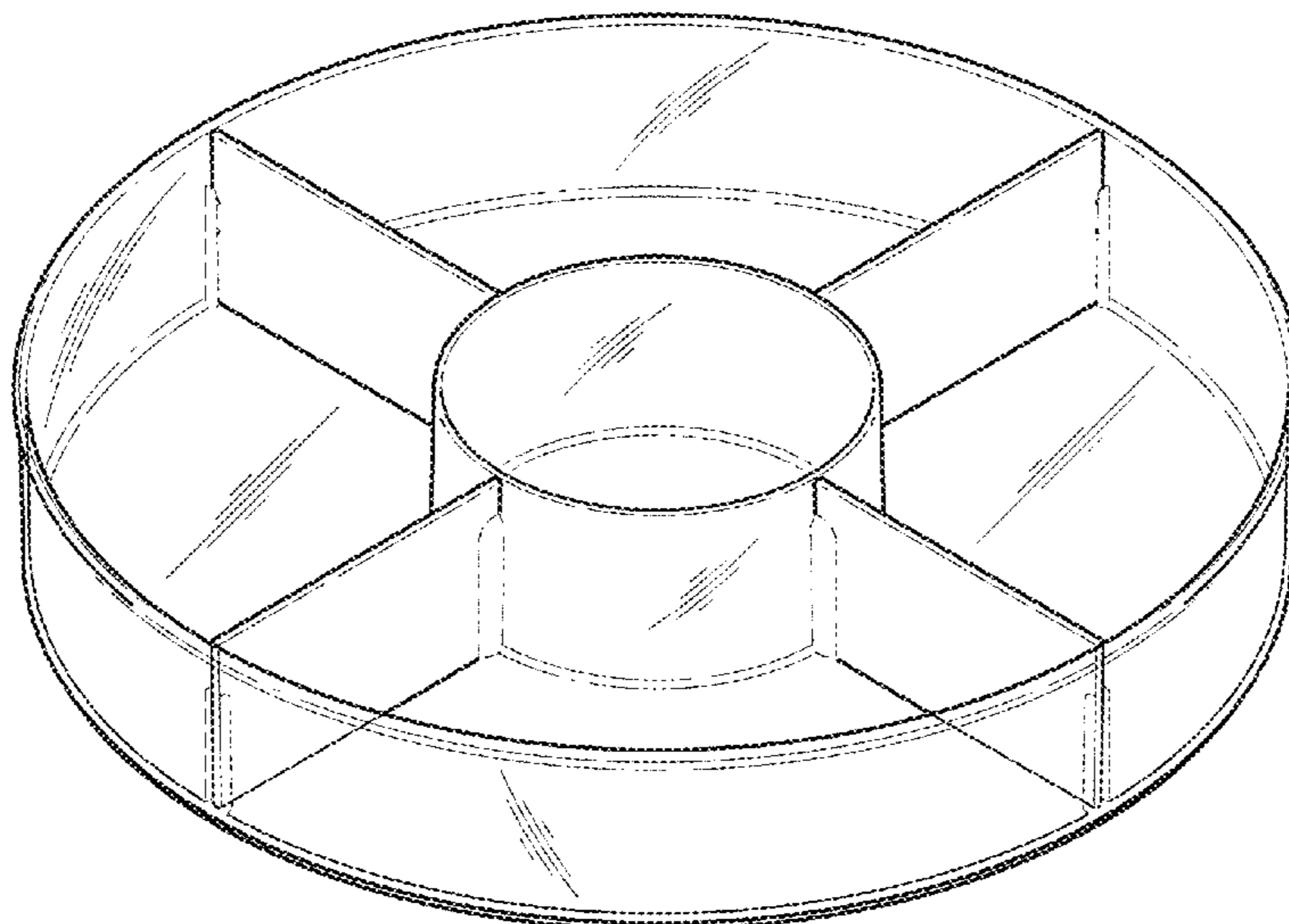
(57) **CLAIM**

We claim the ornamental design for a turntable, as shown and described.

**DESCRIPTION**

FIG. 1 is a front/right/top perspective view of turntable (a front/left/top perspective view would be a mirror image thereof);  
FIG. 2 is a rear/left/bottom perspective view thereof (a rear/right/bottom perspective view would be a mirror image thereof);  
FIG. 3 is a left side elevation thereof (a right side elevation would be a mirror image thereof);  
FIG. 4 is a front elevation thereof (a rear elevation would be a mirror image thereof);  
FIG. 5 is a top plan view thereof; and,  
FIG. 6 is a bottom plan view thereof.  
The broken lines show portions of the turntable that form no part of the claimed design.

**1 Claim, 5 Drawing Sheets**



(56)

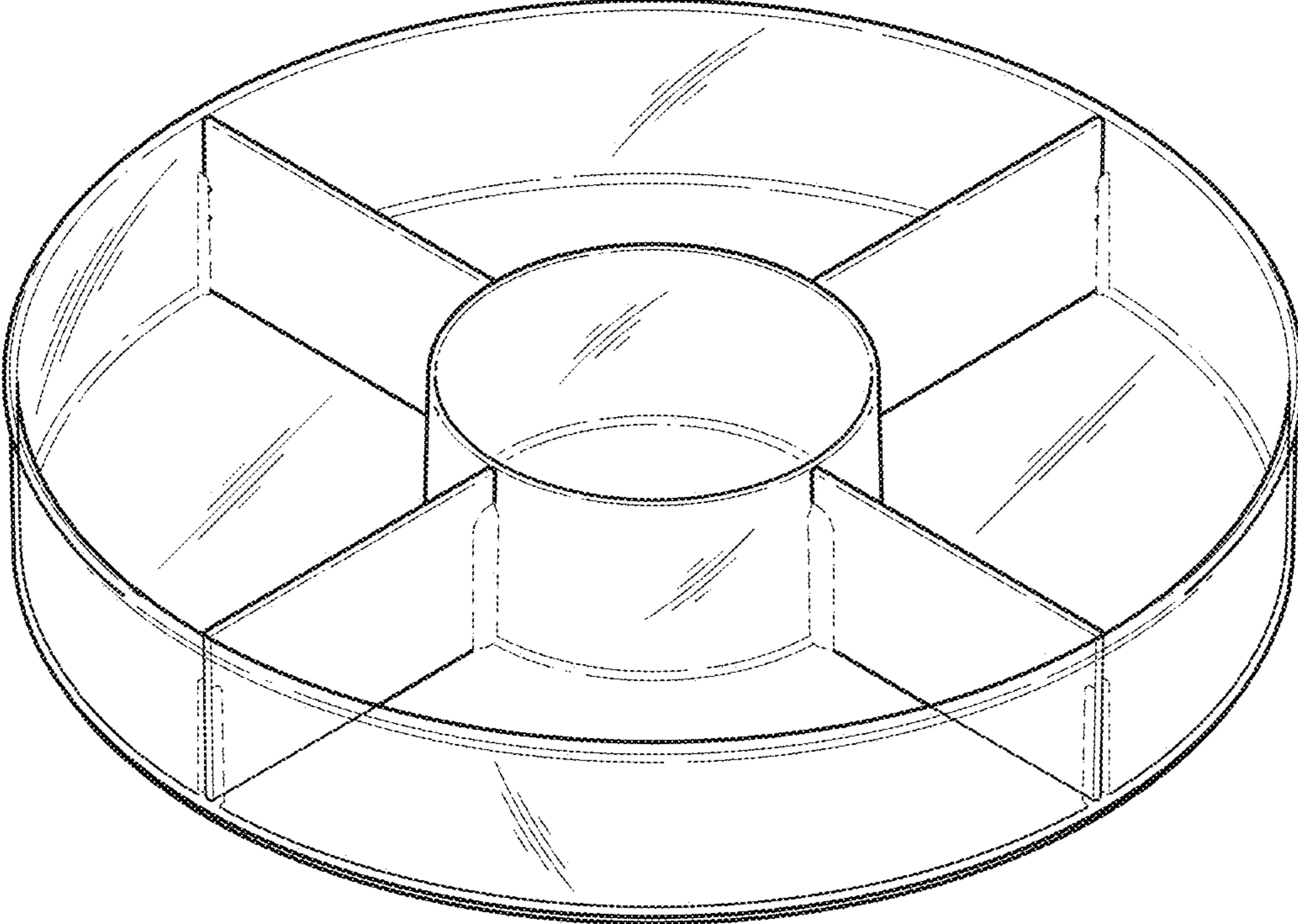
References Cited

U.S. PATENT DOCUMENTS

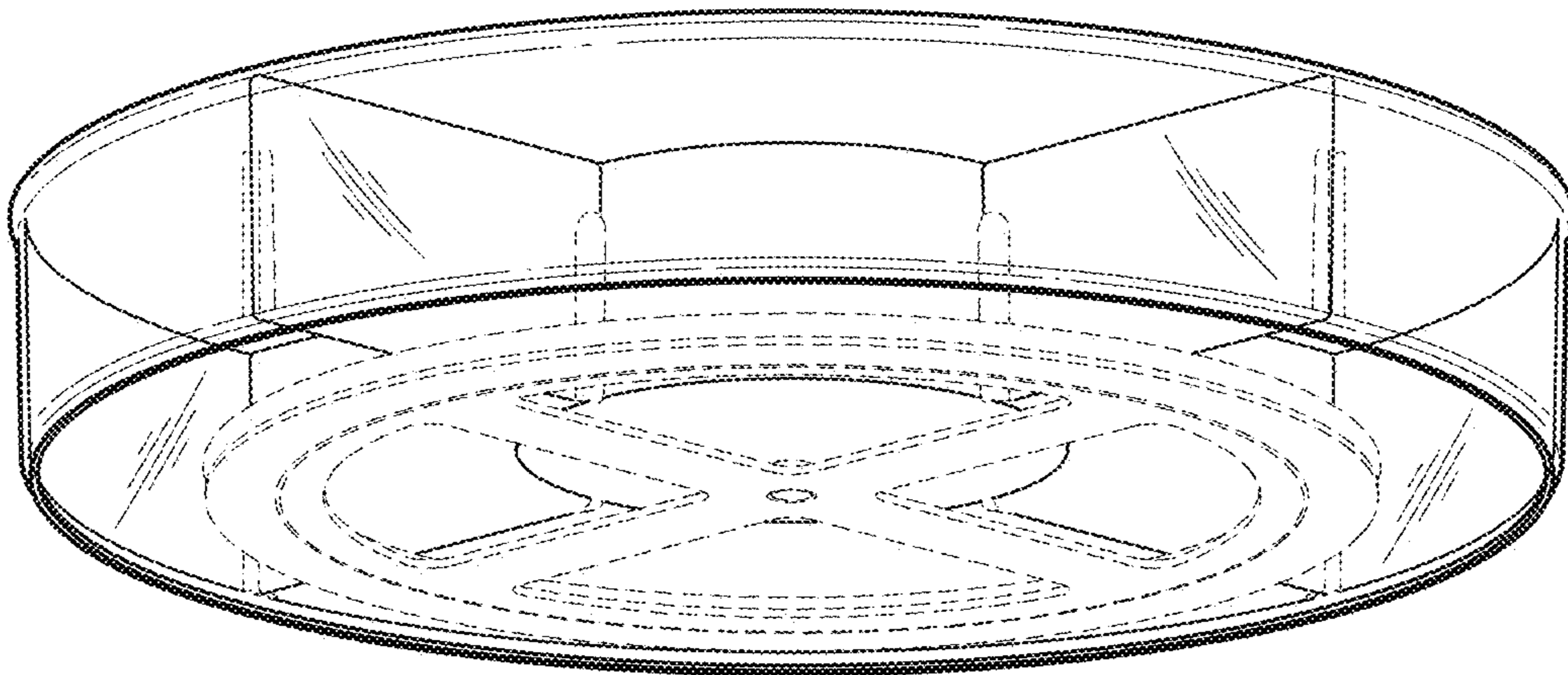
3,951,079 A 4/1976 Tolleson  
 D241,462 S 9/1976 Criscitiello, Jr.  
 4,191,437 A 3/1980 Funke  
 4,433,885 A 2/1984 Baker  
 4,688,686 A 8/1987 Mitts  
 4,743,556 A 5/1988 Ervin  
 4,945,061 A 7/1990 Iskander  
 4,972,947 A 11/1990 McCarthy  
 D312,554 S 12/1990 Daenen et al.  
 D330,955 S 11/1992 Humphries  
 5,277,488 A 1/1994 Cleary et al.  
 D345,473 S 3/1994 Grundmann  
 5,312,003 A 5/1994 Domenig  
 D348,183 S 6/1994 Sawatsky et al.  
 D352,204 S \* 11/1994 Hayes ..... D7/546  
 D354,869 S \* 1/1995 Salyer ..... D6/680  
 D362,787 S 10/1995 Burke  
 D364,057 S 11/1995 Bowman  
 D364,537 S 11/1995 Anderson  
 5,494,346 A 2/1996 Domenig  
 D368,409 S \* 4/1996 Schwartz ..... D7/549  
 D370,390 S \* 6/1996 Chudgar ..... D7/553.6  
 5,577,823 A 11/1996 Maglinger  
 D376,295 S \* 12/1996 Ahern, Jr. .... D7/549  
 5,593,891 A 1/1997 Banes  
 D380,350 S 7/1997 Tortorella  
 5,894,944 A 4/1999 Swift  
 6,017,108 A 1/2000 Domenig  
 D434,605 S \* 12/2000 Littlejohn ..... D7/546  
 D444,676 S \* 7/2001 Murphy ..... D7/553.6  
 D465,350 S 11/2002 Byrne  
 6,591,993 B2 7/2003 Humphrey  
 6,883,887 B1 4/2005 Mogensen  
 D515,874 S \* 2/2006 Aalberts ..... D7/590  
 D546,127 S \* 7/2007 Vovan ..... D7/552.2  
 D547,127 S \* 7/2007 Haughton ..... D7/553.6  
 D558,526 S 1/2008 Molina

D561,032 S \* 2/2008 Fuchs ..... D7/590  
 D561,539 S 2/2008 Snider  
 D565,253 S 3/2008 Modi et al.  
 D572,541 S \* 7/2008 Shew ..... D7/553.6  
 D587,529 S \* 3/2009 Pratt ..... D7/553.8  
 D594,270 S 6/2009 Rae  
 D608,499 S 1/2010 Hodgson  
 D609,058 S 2/2010 Roth  
 D624,360 S 9/2010 Leaville  
 D660,326 S 5/2012 Allette  
 8,356,953 B2 1/2013 Sagel  
 D684,431 S 6/2013 Holding  
 8,459,474 B2 6/2013 Sagel  
 D685,603 S 7/2013 Mishan  
 9,052,134 B1 6/2015 Batchler  
 D734,098 S \* 7/2015 Breton ..... D7/553.6  
 D737,633 S \* 9/2015 Breton ..... D7/553.6  
 D747,151 S \* 1/2016 Liming ..... D7/553.6  
 D775,873 S 1/2017 Burnett  
 D795,311 S 8/2017 Kraemer  
 D802,836 S 11/2017 Ghiotti  
 D804,721 S 12/2017 Ghiotti  
 D806,474 S 1/2018 Greenwood  
 9,936,805 B2 4/2018 McGregor  
 D825,997 S \* 8/2018 Dolinsky ..... D7/553.6  
 D831,443 S 10/2018 Zhang  
 D834,891 S 12/2018 Greenwood  
 D839,671 S 2/2019 Greenwood  
 D854,250 S 7/2019 Huang  
 D858,204 S \* 9/2019 Hu ..... D7/553.6  
 D859,936 S \* 9/2019 Buck ..... D7/629  
 D868,511 S 12/2019 McBride  
 D910,348 S 2/2021 Snell  
 2003/0196978 A1 10/2003 Humphrey  
 2005/0194873 A1 9/2005 Hoffman  
 2005/0199159 A1 9/2005 Searer  
 2008/0134551 A1 6/2008 Conforti et al.  
 2009/0230069 A1 9/2009 Naden  
 2014/0162352 A1 6/2014 Iskander et al.

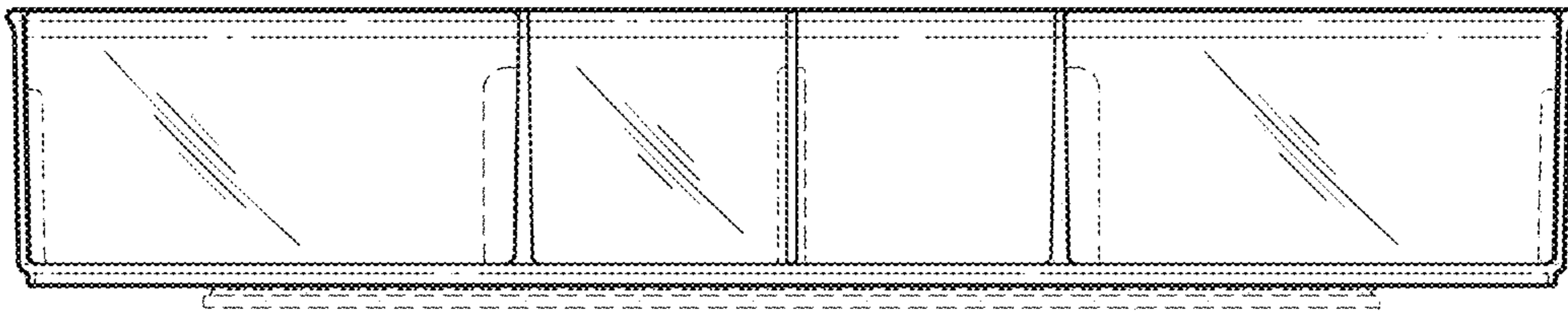
\* cited by examiner



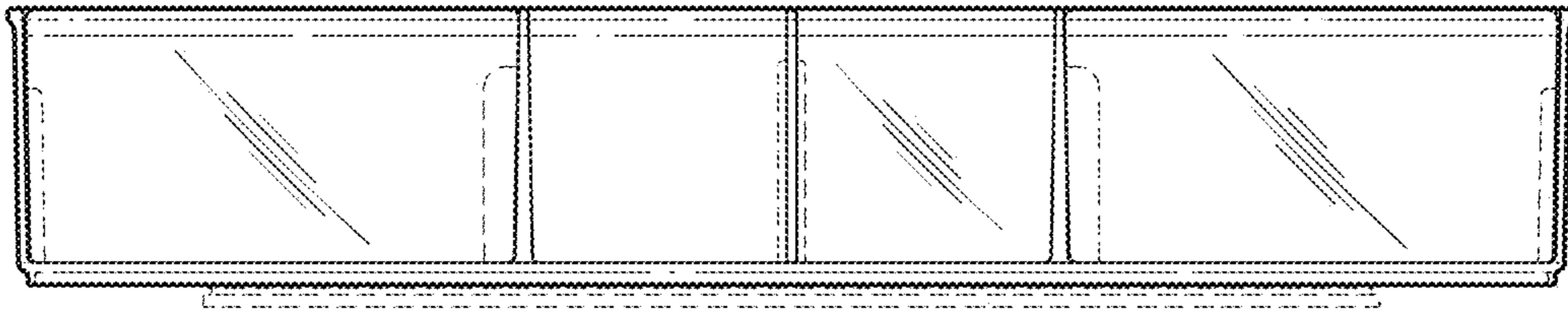
*FIG. 1*



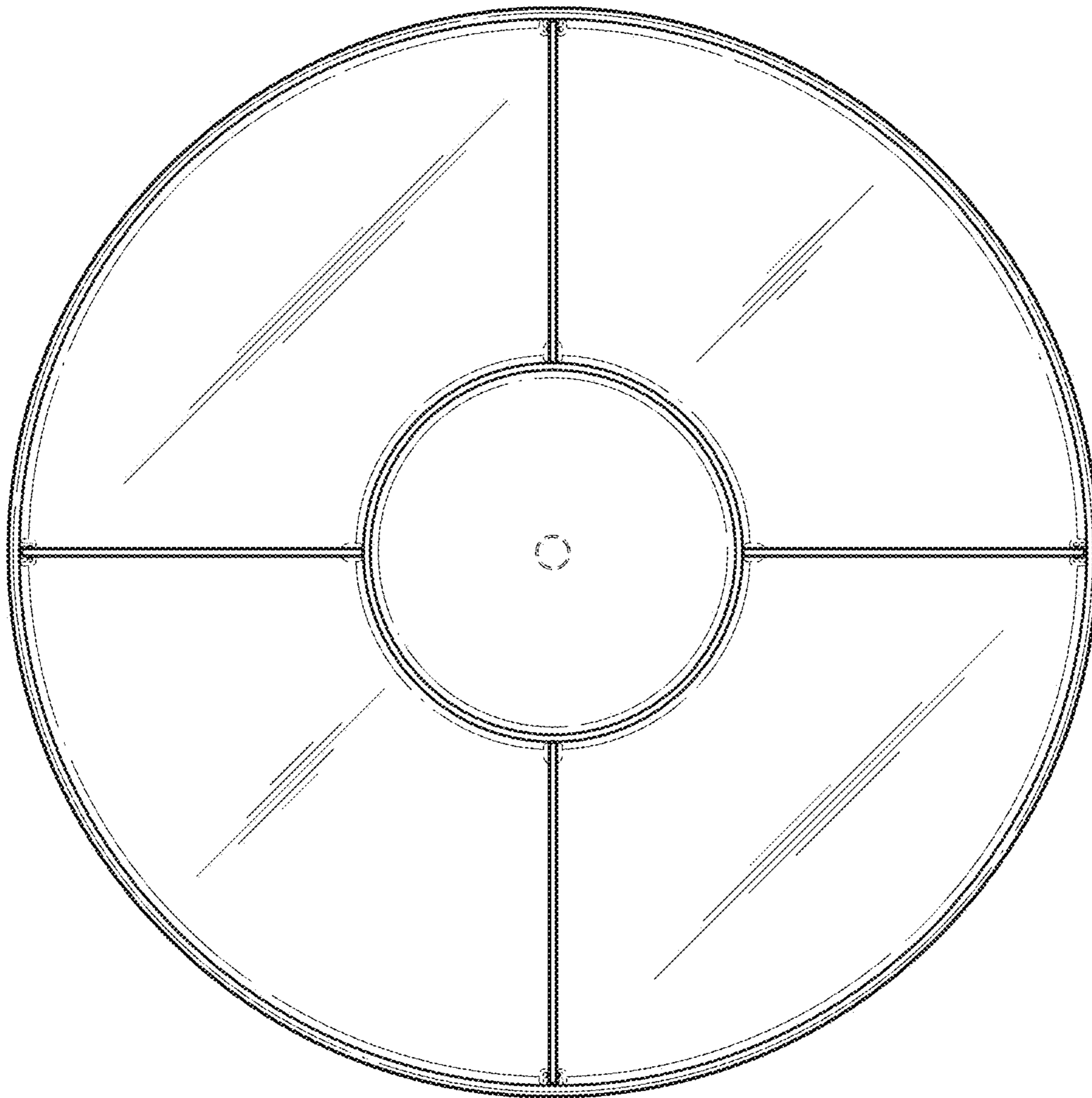
*FIG. 2*



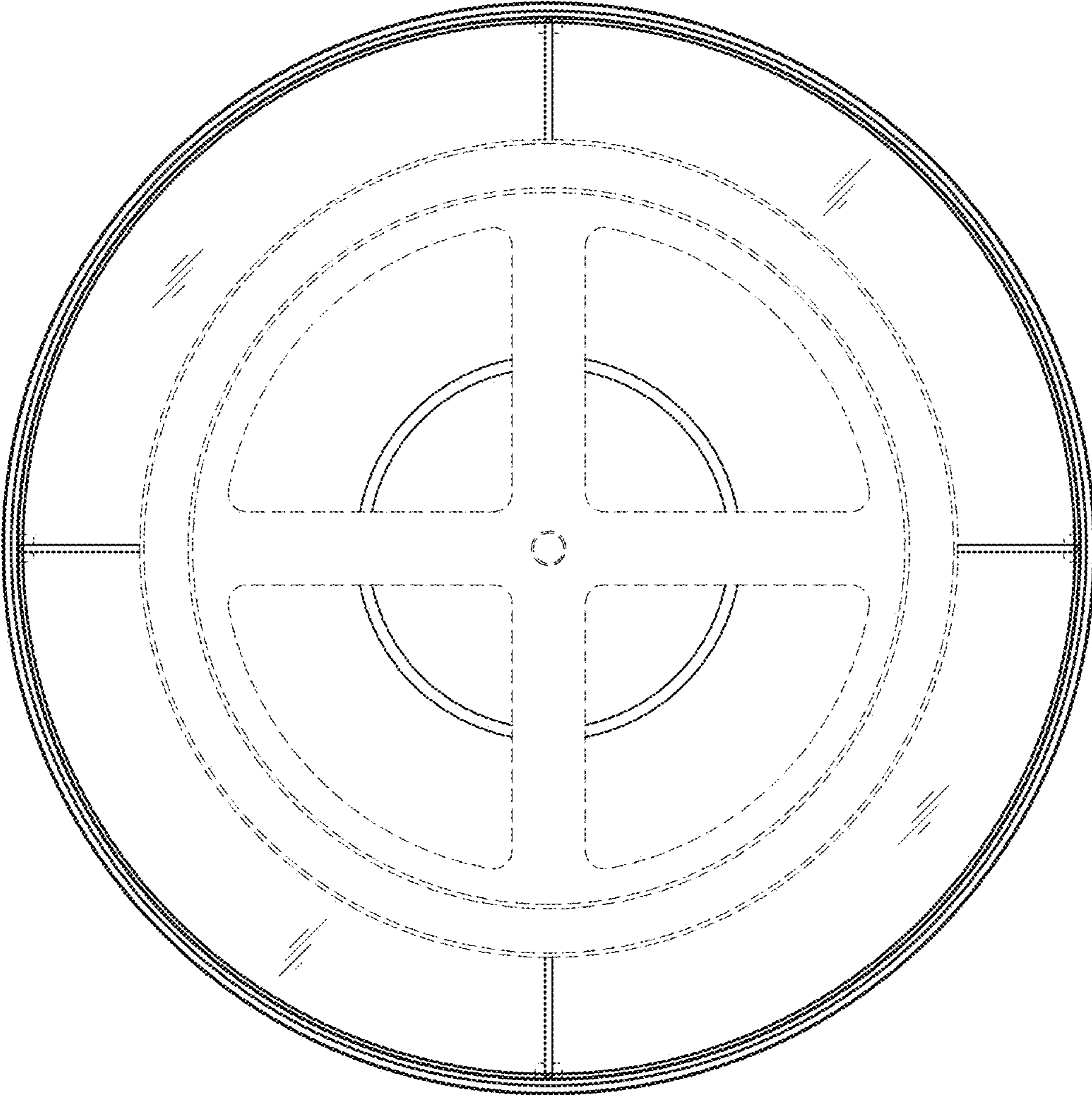
**FIG. 3**



**FIG. 4**



**FIG. 5**



**FIG. 6**