



US00D941631S

(12) **United States Design Patent**
Kuwano

(10) **Patent No.:** **US D941,631 S**
(45) **Date of Patent:** **** Jan. 25, 2022**

(54) **KITCHEN KNIFE**

B26B 9/02; B26B 11/00; B26B 11/006;
B26B 17/00; B26B 17/006; B26B 29/02

(71) Applicant: **KYOCERA Corporation**, Kyoto (JP)

See application file for complete search history.

(72) Inventor: **Yohei Kuwano**, Tokyo (JP)

(56) **References Cited**

(73) Assignee: **KYOCERA CORPORATION**, Kyoto (JP)

U.S. PATENT DOCUMENTS

(**) Term: **15 Years**

D302,092 S *	7/1989	Cohen	D7/650
D551,518 S *	9/2007	Leuze	D7/649
D572,542 S *	7/2008	Epstein	D7/649
D587,963 S *	3/2009	Elsener	D7/395
D773,887 S *	12/2016	Berger	D7/401.2
D792,154 S *	7/2017	Berger	D7/401.2
D874,873 S *	2/2020	Chen	D7/401.2
D890,578 S *	7/2020	Glesser	D7/649
D927,252 S *	8/2021	Plant	D7/401.2

(21) Appl. No.: **29/805,837**

(22) Filed: **Aug. 31, 2021**

Related U.S. Application Data

(62) Division of application No. 29/735,786, filed on May 25, 2020.

* cited by examiner

Primary Examiner — Ricky Pham

(30) **Foreign Application Priority Data**

Feb. 27, 2020 (JP) 2020-3720

(74) *Attorney, Agent, or Firm* — Hauptman Ham, LLP

(51) **LOC (13) Cl.** **07-03**

(57) **CLAIM**

The ornamental design for a kitchen knife, as shown and described.

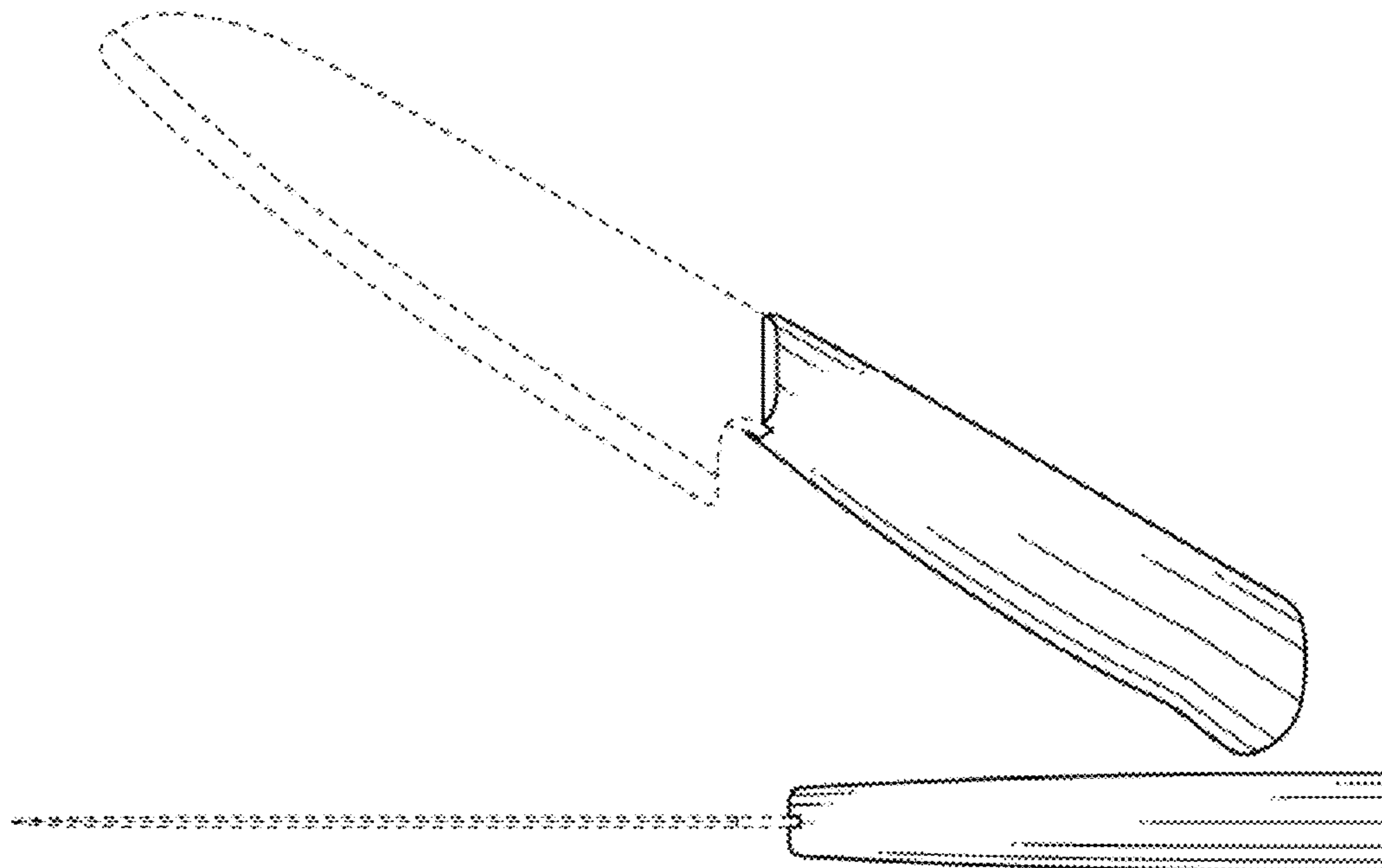
(52) **U.S. Cl.**
USPC **D7/401.2; D7/649; D7/695**

DESCRIPTION

(58) **Field of Classification Search**
USPC D7/393–395, 401.2, 642–652, 693,
D7/695–696; D8/93, 97–100, 107, 300,
D8/321; D22/117–118
CPC A01B 1/20; A01B 1/22; A22C 25/006;
A47G 21/06; A47G 21/065; A61B
17/3211; A61B 17/3213; B21D 53/64;
B25G 3/36; B26B 1/00; B26B 1/08;
B26B 1/10; B26B 3/00; B26B 3/02;
B26B 3/03; B26B 3/04; B26B 3/06;
B26B 5/00; B26B 5/001; B26B 5/007;
B26B 7/00; B26B 7/005; B26B 9/00;

FIG. 1 is a perspective view of a kitchen knife according to my new design;
FIG. 2 is a front view thereof;
FIG. 3 is a rear view thereof;
FIG. 4 is a left side view thereof;
FIG. 5 is a right side view thereof;
FIG. 6 is a top view thereof; and,
FIG. 7 is a bottom view thereof.
The broken lines show a portion of a kitchen knife that forms no part of the claimed design.

1 Claim, 3 Drawing Sheets



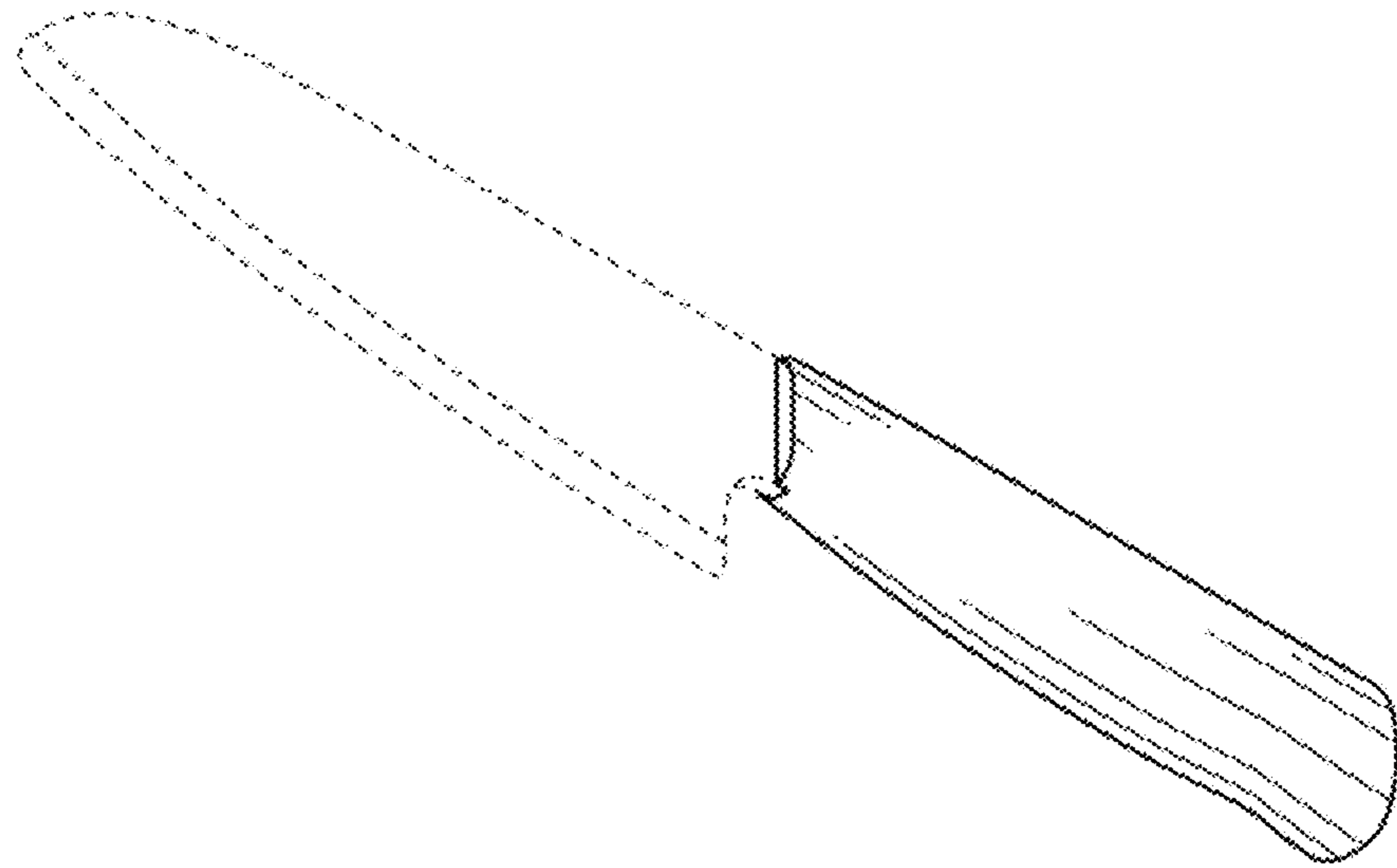


FIG. 1

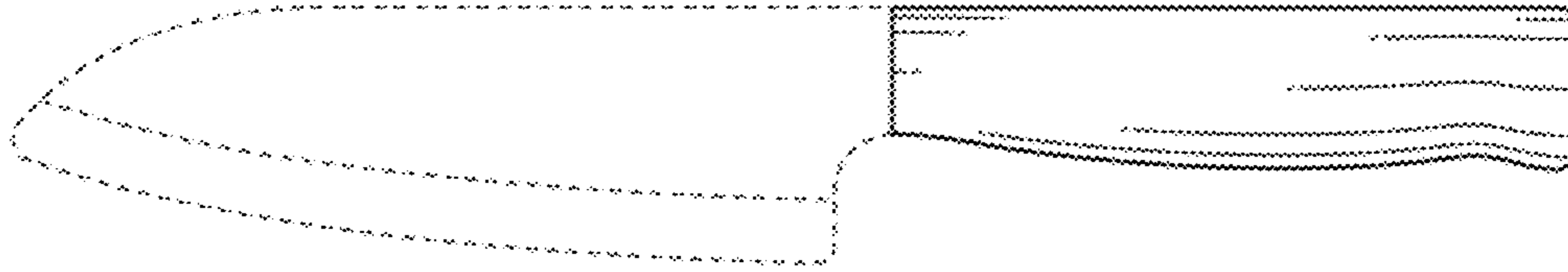


FIG. 2

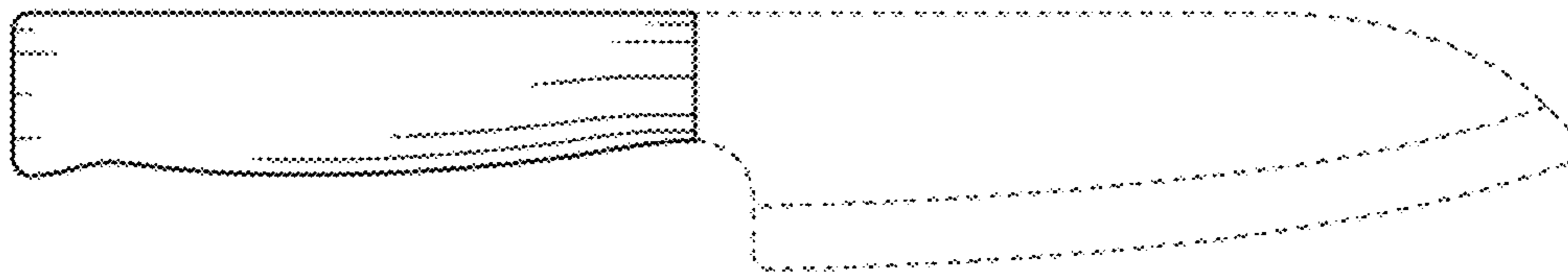


FIG. 3

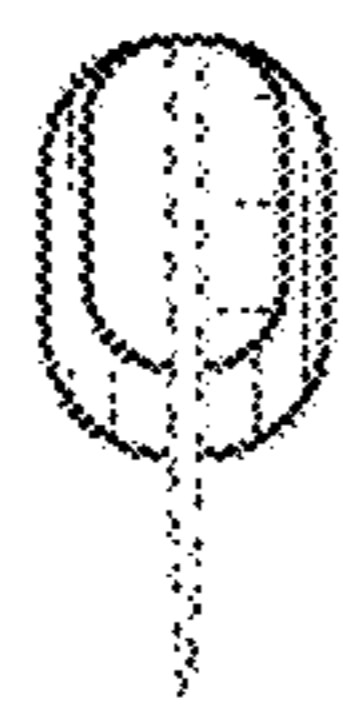


FIG. 4



FIG. 5

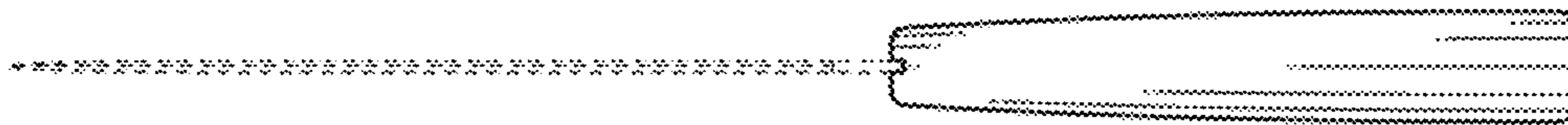


FIG. 6

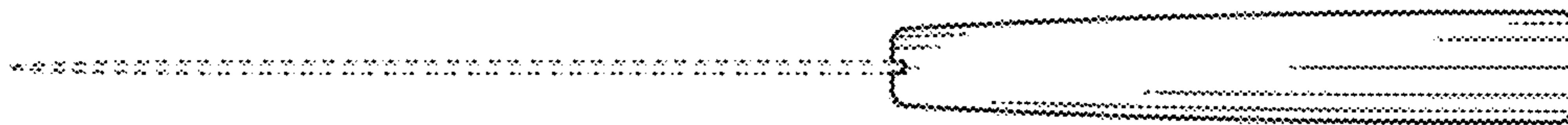


FIG. 7