



US00D941627S

(12) **United States Design Patent**  
**Lown**

(10) **Patent No.:** **US D941,627 S**

(45) **Date of Patent:** **\*\* Jan. 25, 2022**

- (54) **CONTAINER LID**
- (71) Applicant: **Takeya USA Corporation**, Costa Mesa, CA (US)
- (72) Inventor: **John M. Lown**, Huntington Beach, CA (US)
- (73) Assignee: **Takeya USA Corporation**, Costa Mesa, CA (US)
- (\*\*) Term: **15 Years**
- (21) Appl. No.: **29/637,334**
- (22) Filed: **Feb. 15, 2018**
- (51) **LOC (13) Cl.** ..... **07-99**
- (52) **U.S. Cl.**  
USPC ..... **D7/392.1; D7/396.2; D9/443; D9/449**
- (58) **Field of Classification Search**  
USPC ..... D9/434, 435, 439, 440, 442-450, D9/452-457, 499, 503-505, 682, 685, D9/686, 436; D7/387, 391, 392, 392.1, D7/396.1, 396.2, 507, 509-511, 538, 900; D3/202, 203.2, 294, 318; D28/91, 91.1  
CPC .. A61J 1/00; A61J 1/1412; B65D 1/00; B65D 1/02; B65D 1/10; B65D 1/46; B65D 5/46; B65D 41/00; B65D 41/38; B65D 41/56; B65D 41/62; B65D 47/00; B65D 47/06; B65D 47/08; B65D 2251/00; B65D 2543/00046; B65D 2543/00092; B65D 2543/00296  
See application file for complete search history.

- D626,838 S \* 11/2010 Meyers ..... D9/443
- D643,245 S \* 8/2011 Minarsch ..... D7/392.1
- D647,753 S \* 11/2011 Lin ..... D7/392.1
- D675,059 S \* 1/2013 Carreno ..... D9/443
- D691,416 S \* 10/2013 Eyal ..... D9/447
- D696,900 S \* 1/2014 George ..... D7/392.1
- 8,695,830 B2 \* 4/2014 Meyers ..... B65D 47/0895  
D9/449
- D704,551 S \* 5/2014 Wycoff ..... A47J 45/077  
D9/434
- D752,382 S \* 3/2016 Ksiazek ..... D7/392.1
- D752,917 S \* 4/2016 Ksiazek ..... D9/443
- D758,127 S \* 6/2016 Zhao ..... D7/396.2
- D761,618 S \* 7/2016 Lapsker ..... D7/392.1
- D771,990 S \* 11/2016 Horowitz ..... D7/510
- D772,652 S \* 11/2016 Yao ..... D7/511
- D789,737 S \* 6/2017 Eyal ..... D7/396.2
- D794,386 S \* 8/2017 Steel ..... D7/396.2

(Continued)

*Primary Examiner* — Wendy L Arminio

(74) *Attorney, Agent, or Firm* — Klein, O'Neill & Singh, LLP

(57) **CLAIM**

The ornamental design for a container lid, as shown and described.

**DESCRIPTION**

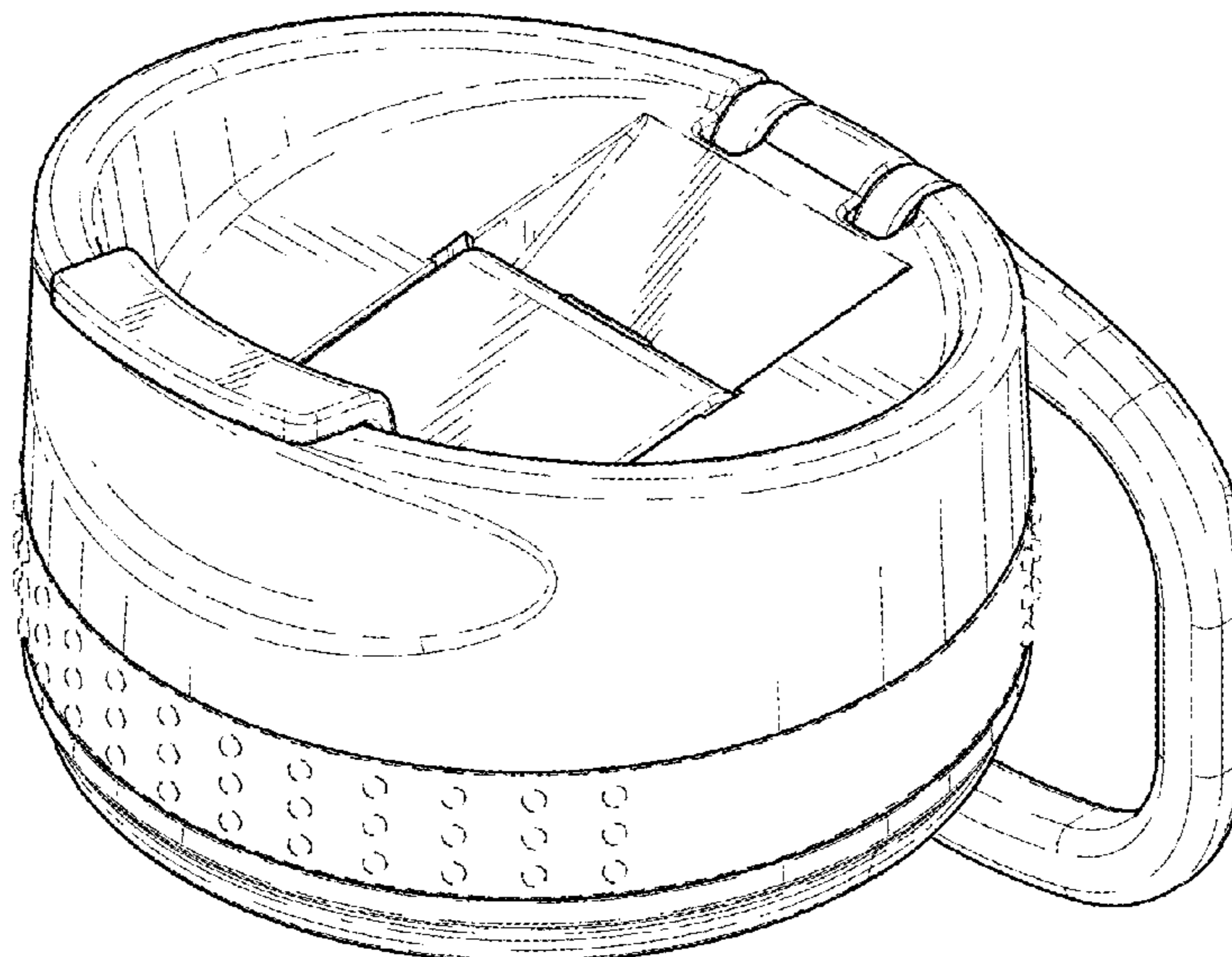
FIG. 1 is a perspective view of a container lid embodying the new design;  
 FIG. 2 is a perspective view thereof, but viewed from another angle;  
 FIG. 3 is a front elevation view thereof;  
 FIG. 4 is a rear elevation view thereof;  
 FIG. 5 is a left side elevation view thereof;  
 FIG. 6 is a right side elevation view thereof;  
 FIG. 7 is a top plan view thereof; and,  
 FIG. 8 is a bottom plan view thereof.  
 The broken lines depict portions of the container lid that form no part of the claimed design.

**1 Claim, 4 Drawing Sheets**

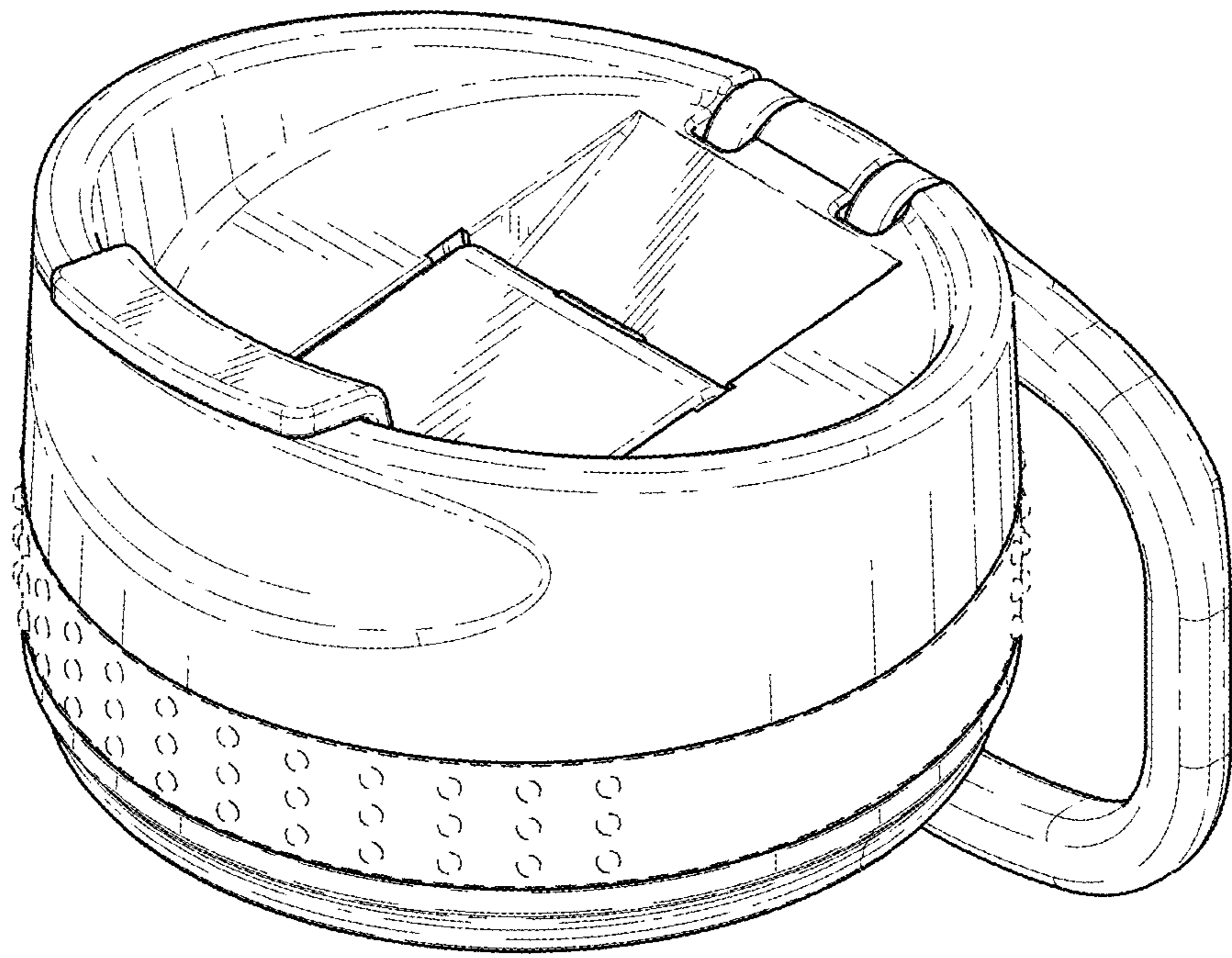
(56) **References Cited**

U.S. PATENT DOCUMENTS

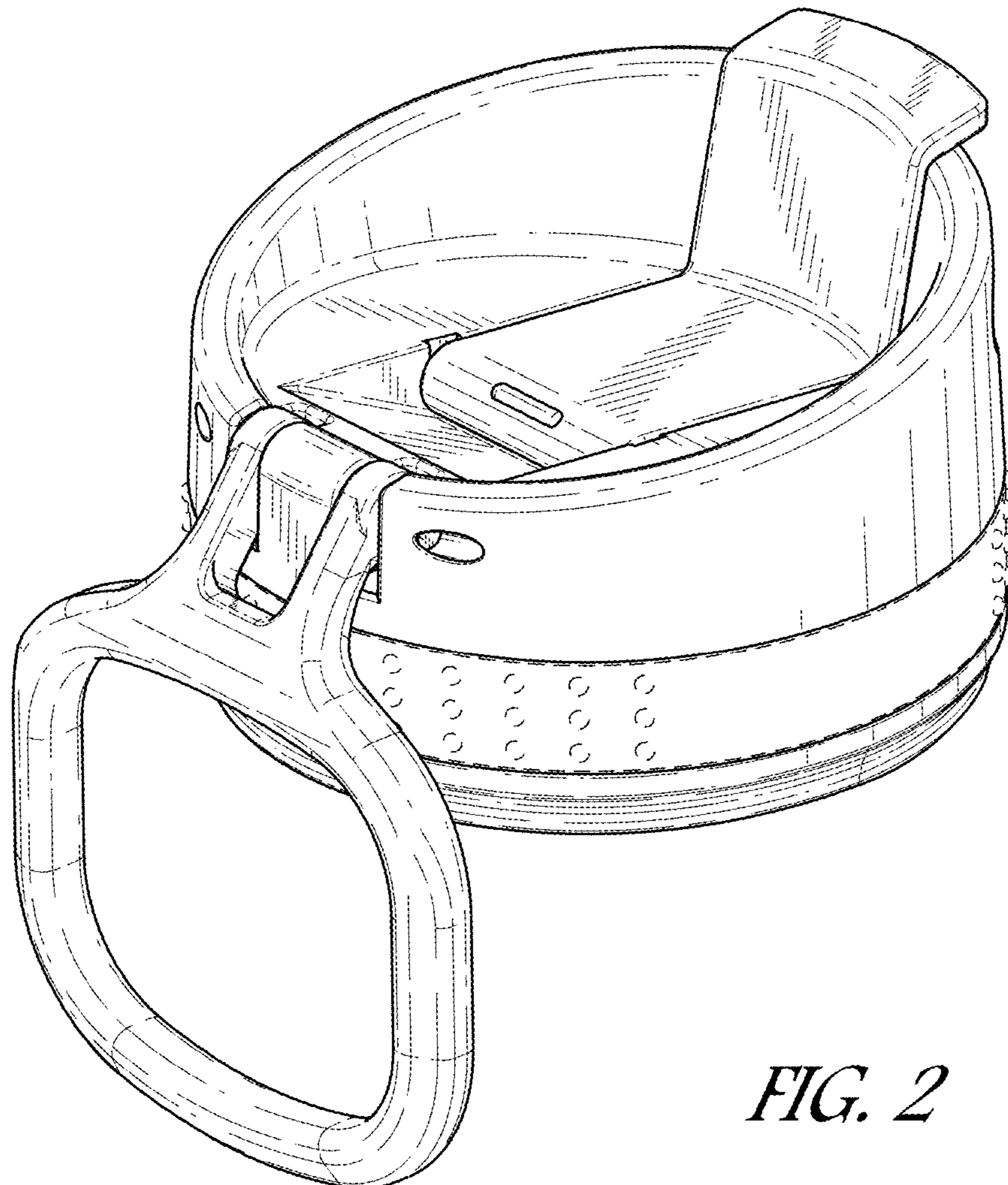
- D269,253 S \* 6/1983 Gagnon ..... D9/434
- D504,796 S \* 5/2005 Schuler ..... D7/392.1
- D527,683 S \* 9/2006 Turvey ..... D9/434
- D552,926 S \* 10/2007 Yelland ..... D7/392.1
- D584,566 S \* 1/2009 Fuller ..... D7/396.2



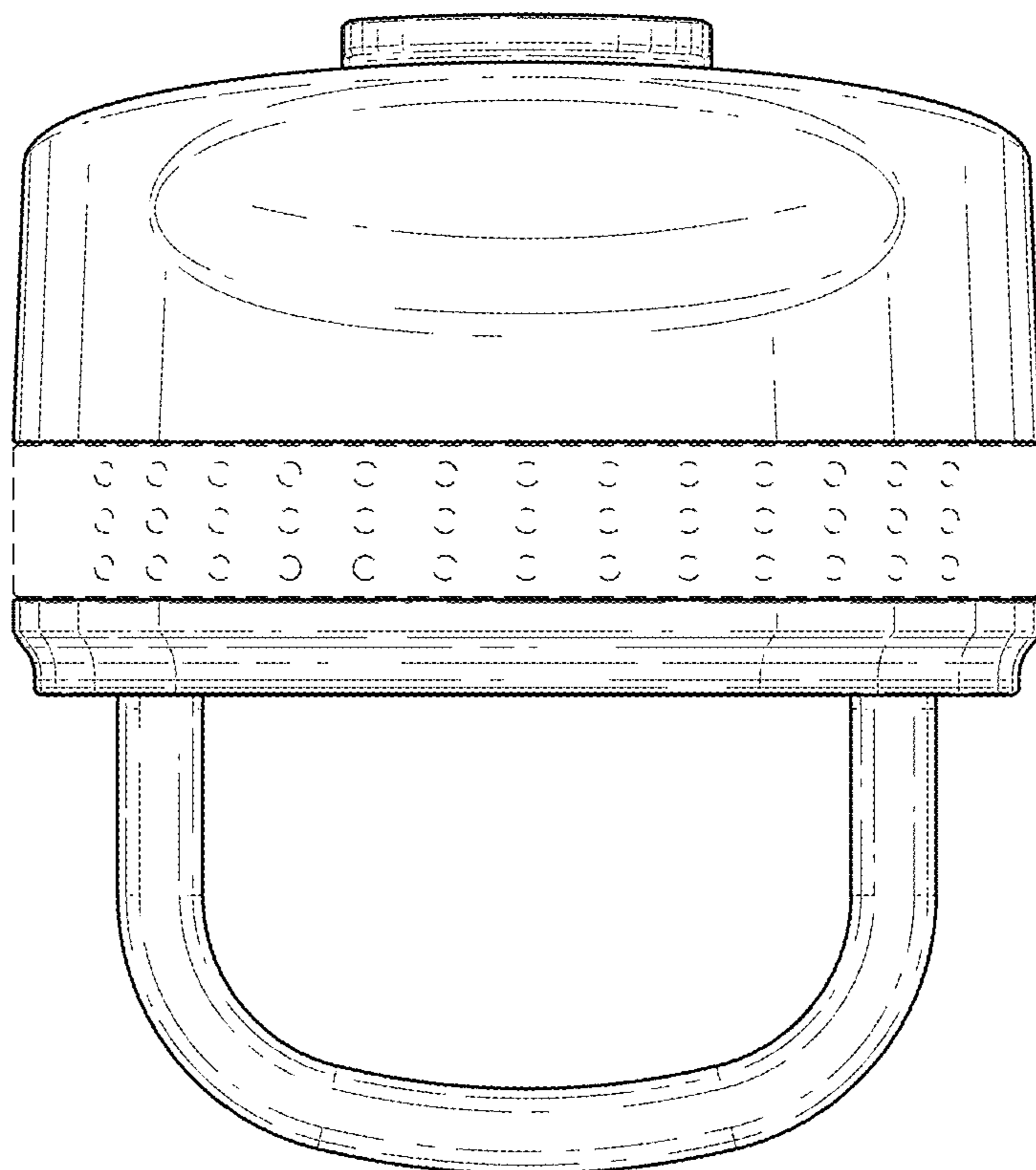




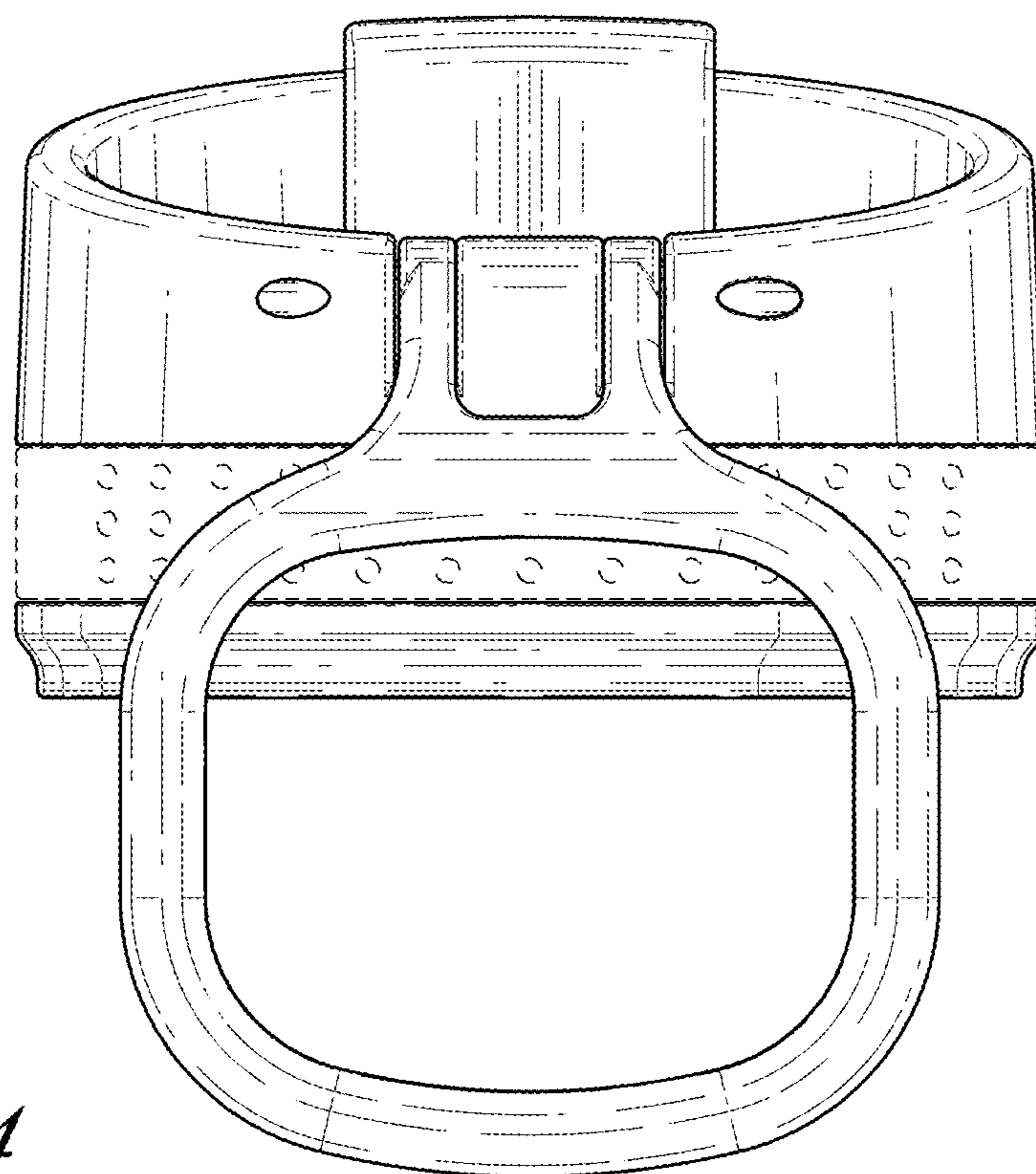
*FIG. 1*



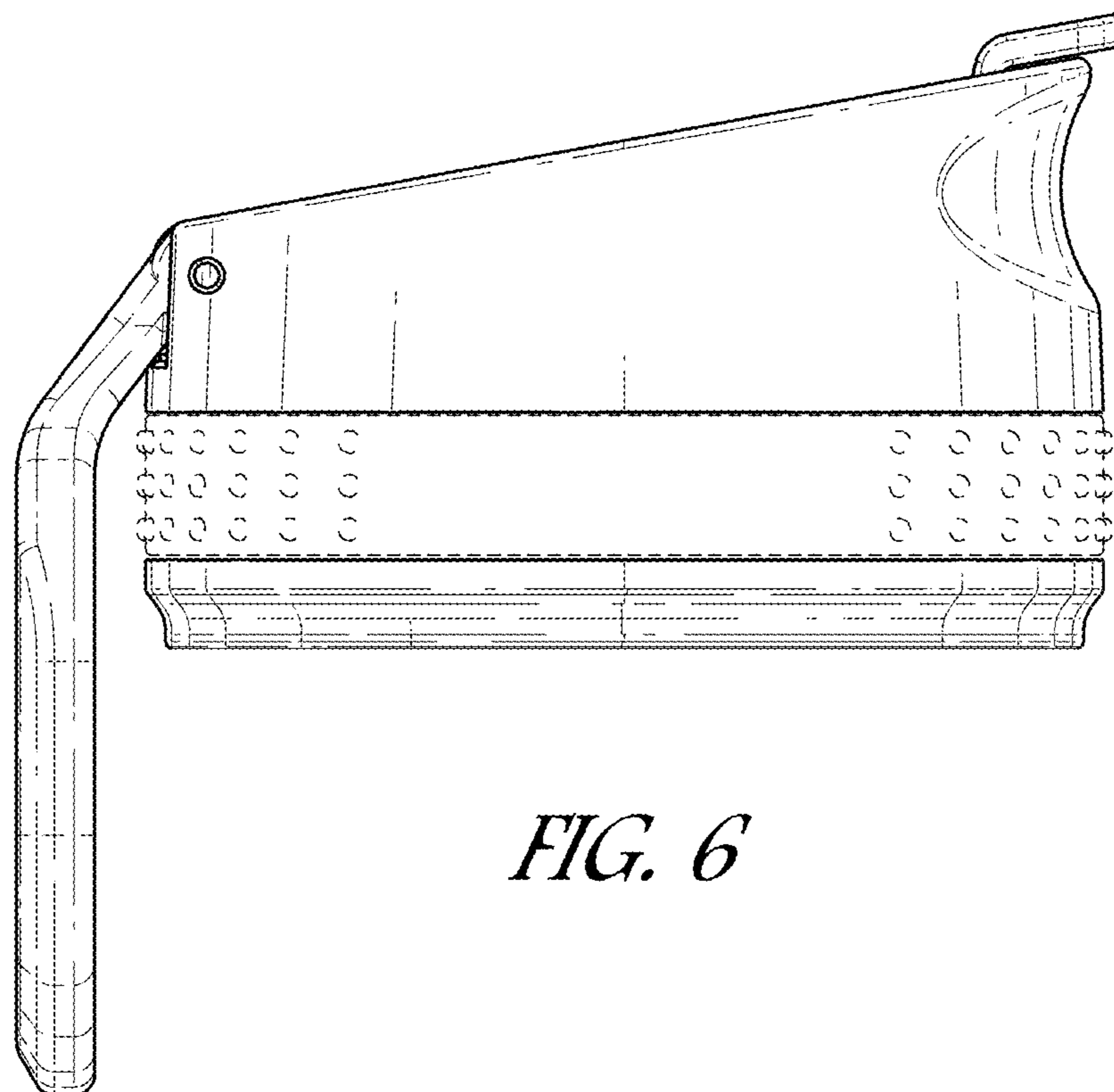
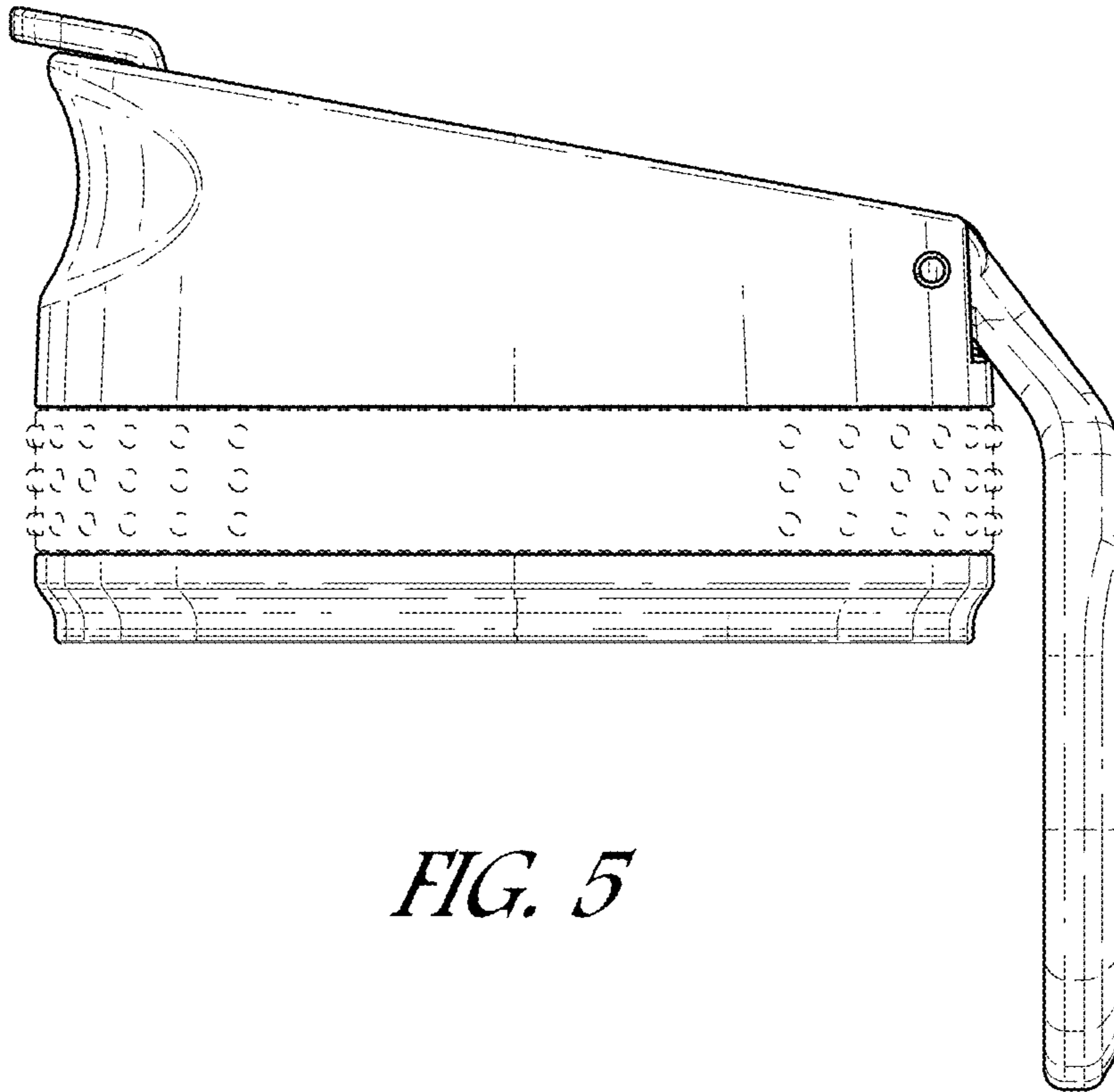
*FIG. 2*

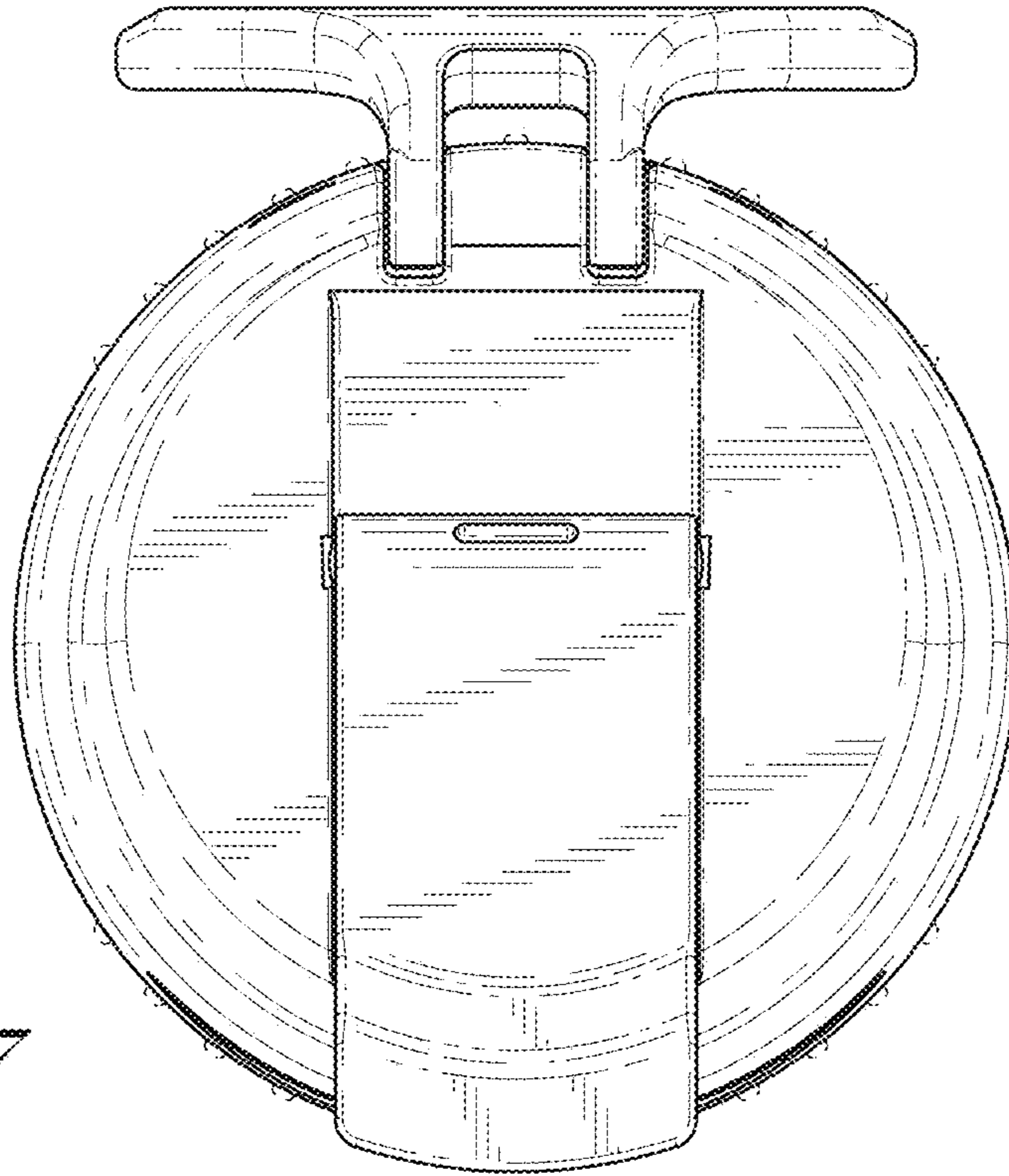


*FIG. 3*

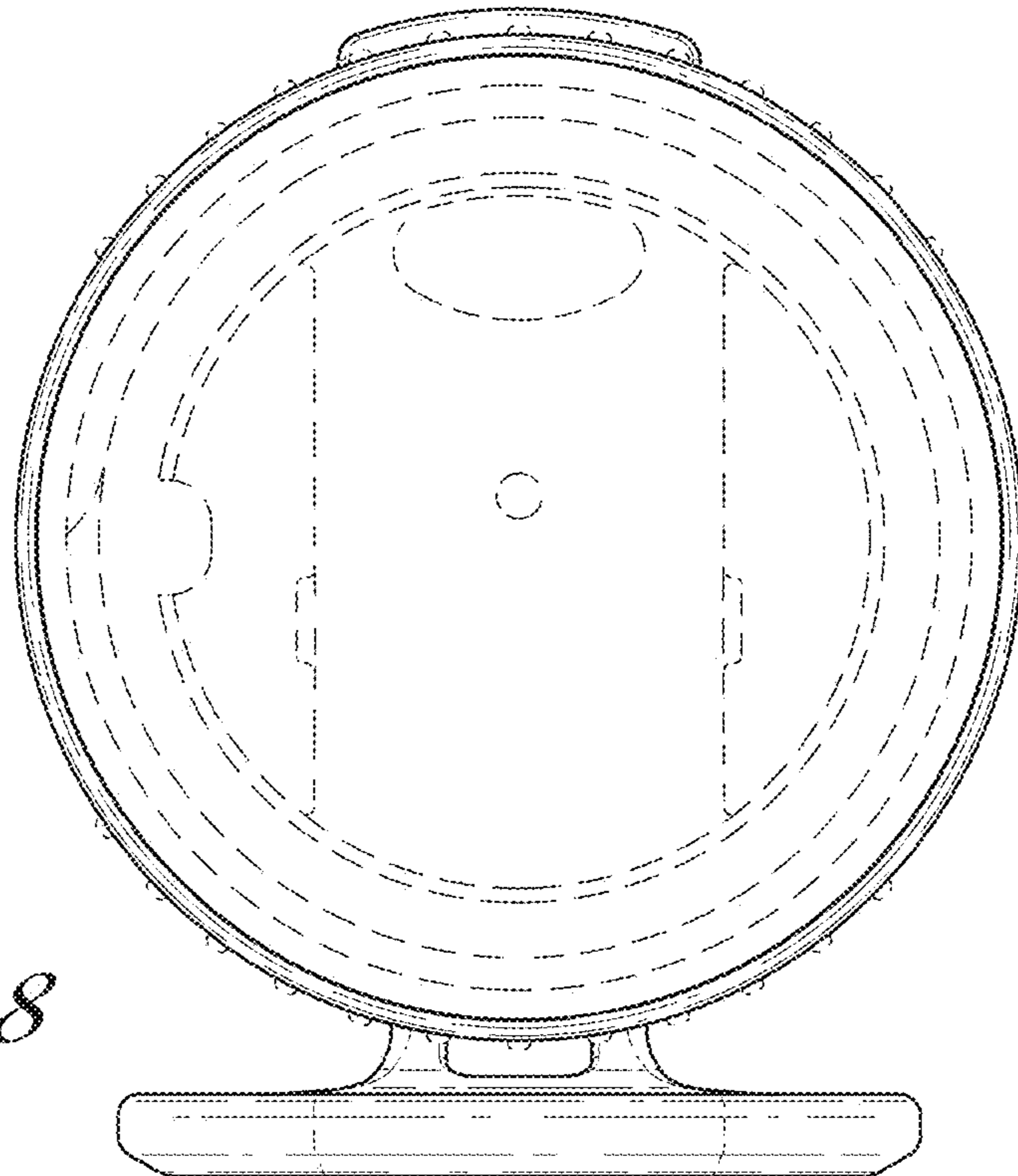


*FIG. 4*





*FIG. 7*



*FIG. 8*