

US00D941625S

(12) **United States Design Patent**
Choi et al.

(10) **Patent No.:** **US D941,625 S**
(45) **Date of Patent:** **** Jan. 25, 2022**

(54) **COFFEE MACHINE**

FOREIGN PATENT DOCUMENTS

(71) Applicant: **Samsung Electronics Co., Ltd.**,
Suwon-si (KR)

EM 003530526-0001 6/2017
EM 004561744-0002 5/2018

(Continued)

(72) Inventors: **June-Hyuck Choi**, Suwon-si (KR);
Kang-Doo Kim, Suwon-si (KR);
Gi-Sung Han, Suwon-si (KR);
Sun-Min Lee, Suwon-si (KR)

OTHER PUBLICATIONS

De'Longhi Eletta Digital Super Automatic Espresso Machine, first available May 3, 2016, Amazon, [online], [site visited Sep. 10, 2021], Available from internet URL: <https://www.amazon.com/Delonghi-ECAM45760B-Digital-Automatic-Espresso/dp/B01F4WT8XS> (Year: 2016).*

(Continued)

(73) Assignee: **Samsung Electronics Co., Ltd.**,
Suwon-si (KR)

(**) Term: **15 Years**

(21) Appl. No.: **29/741,831**

Primary Examiner — Mary Ann Calabrese
Assistant Examiner — Natalya M Rapundalo
(74) *Attorney, Agent, or Firm* — NSIP Law

(22) Filed: **Jul. 16, 2020**

(30) **Foreign Application Priority Data**

May 26, 2020 (KR) 30-2020-0023237

(51) **LOC (13) Cl.** **07-02**

(52) **U.S. Cl.**
USPC **D7/309**

(58) **Field of Classification Search**
USPC D7/300-322, 378, 397-400, 602, 603,
D7/700; D9/417, 447, 524-526, 530,
D9/572, 575, 633; D15/81, 82; D20/1;
D23/201, 205, 209; D24/216, 220, 224;
D30/121, 132; D34/39; 99/275, 276
CPC A23G 9/0452; A47J 31/00; A47J 31/007;
A47J 31/057; A47J 31/10; A47J 31/3676;
A47J 31/40; A47J 31/402; A47J 31/404;
(Continued)

(57) **CLAIM**

We claim the ornamental design for a coffee machine, as shown and described.

DESCRIPTION

FIG. 1 is a front perspective view of a coffee machine showing our new design;
FIG. 2 is a front view thereof;
FIG. 3 is a rear view thereof;
FIG. 4 is a left-side view thereof;
FIG. 5 is a right-side view thereof;
FIG. 6 is a top view thereof;
FIG. 7 is a bottom view thereof;
FIG. 8 is an exploded view thereof in which the container feature is shown in a removed position and the nozzle feature is moved to an alternate position; and,
FIG. 9 is another exploded view thereof in which the container feature is shown in a removed position and the nozzle feature is moved to another alternate position.
The broken lines in the figures depict portions of the coffee machine which form no part of the claimed design.

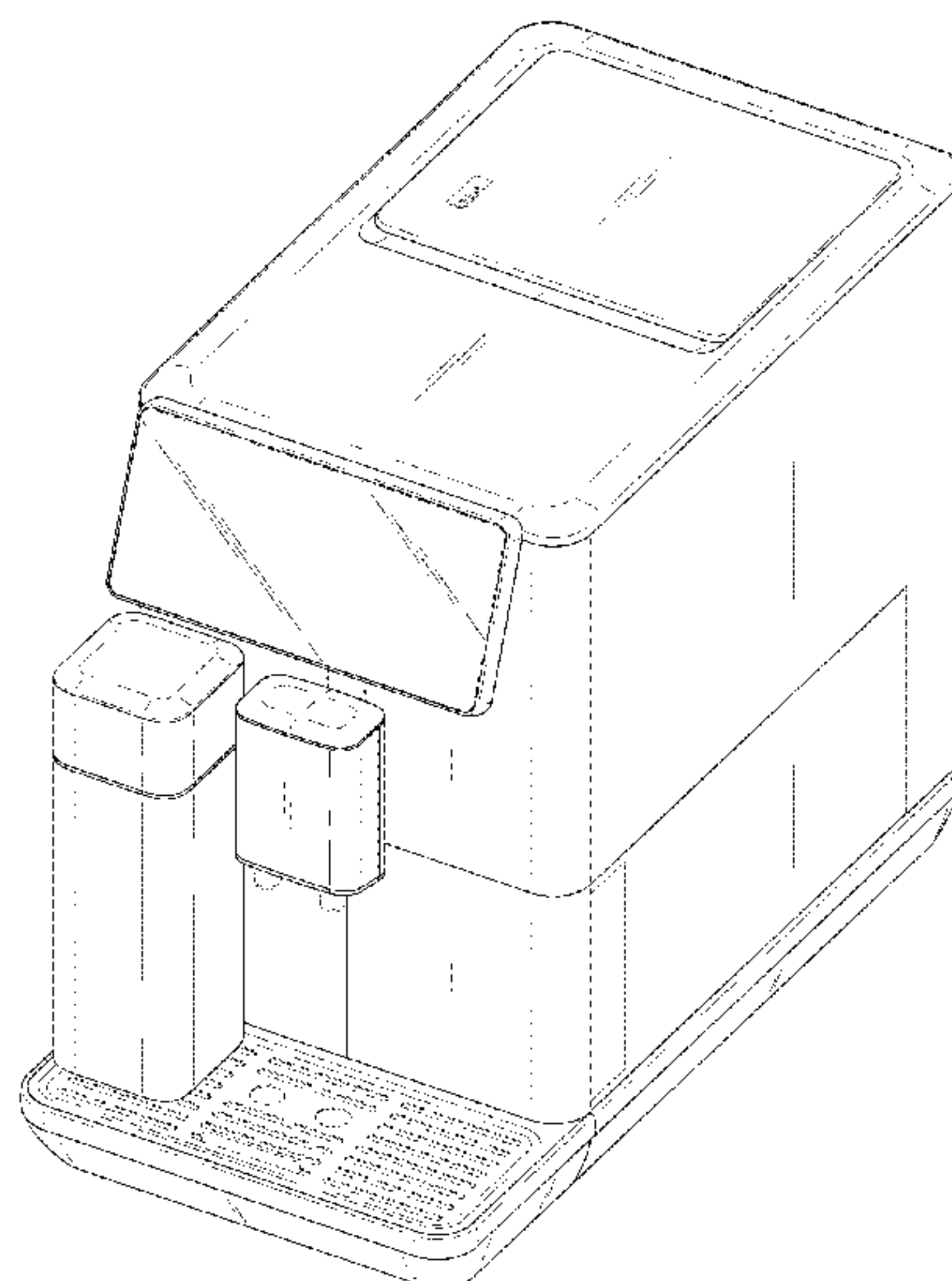
(56) **References Cited**

U.S. PATENT DOCUMENTS

D586,603 S * 2/2009 Borin D7/309
D595,991 S * 7/2009 Zimmerman D7/307

(Continued)

1 Claim, 9 Drawing Sheets



(58) **Field of Classification Search**

CPC A47J 31/41; A47J 31/4482; A47J 31/4489;
 A47J 43/042; A47J 43/27; A47J
 2043/04454; B67D 1/00; B67D 1/0004;
 B67D 1/0021; B67D 1/0078; B67D
 1/0462; B67D 1/0801; B67D 1/0872;
 B67D 1/1252; B67D 2001/0087; B67D
 2001/0098; B67D 2001/0822; B67D
 3/0032; B67D 3/0035; B67D 7/82; B67D
 7/84; C02F 1/002; C02F 1/003; C12C
 11/00; C12C 11/006; C12C 13/10

See application file for complete search history.

(56) **References Cited**

U.S. PATENT DOCUMENTS

D647,356 S * 10/2011 De'Longhi D7/309
 D697,356 S * 1/2014 Choi D7/305
 D719,390 S * 12/2014 De Pra D7/309
 D719,393 S * 12/2014 De Pra D7/309
 D735,518 S * 8/2015 De'Longhi A47J 43/0465
 D7/309
 D835,446 S * 12/2018 Cometti D7/309
 D840,735 S * 2/2019 Dutruel D7/309

D891,846 S * 8/2020 Bignu D7/309
 2013/0000490 A1* 1/2013 De'Longhi A47J 43/0465
 99/323.1
 2018/0325305 A1* 11/2018 Aschwanden A47J 31/407

FOREIGN PATENT DOCUMENTS

EM 004561744-0006 5/2018
 EM 006570701-0004 6/2019
 EM 006594586-0003 7/2019

OTHER PUBLICATIONS

MEROL Automatic Espresso Coffee Machine, first available Nov. 17, 2020, Amazon, [online], [site visited Sep. 10, 2021], Available from internet URL: <https://www.amazon.com/MEROL-Automatic-Espresso-Programmable-Cappuccino/dp/B08NP2NZP2> (Year: 2020).
 Design No. 306386344, Mar. 16, 2021—China National Intellectual Property Administration (CNIPA) Publication Date—Mar. 16, 2021 Owner—Kingclean Electric Green Energy (Suzhou) Co LTD, Designer—Ni Zugen WIPO, available at <https://www3.wipo.int/designdb/en/index.jsp> (Year: 2021).
 Miele CM5300 Superautomatic Espresso Machine, Seattle Coffee Gear, [online], [site visited Sep. 10, 2021], Available from internet URL: <https://www.seattlecoffeegear.com/miele-cm5300-coffee-system?sku=ESU943H0380> (Year: 2021).*

* cited by examiner

FIG. 1

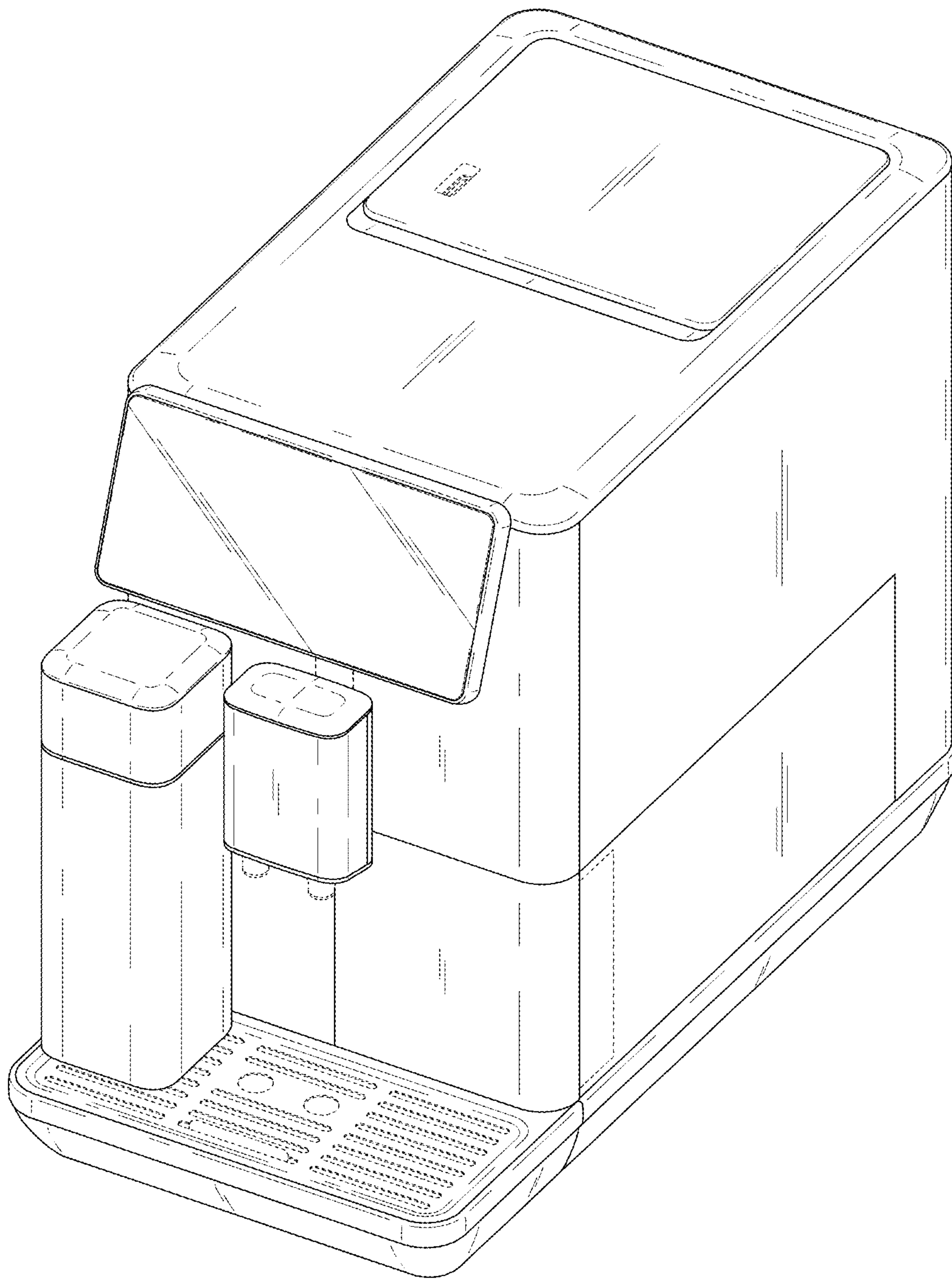


FIG. 2

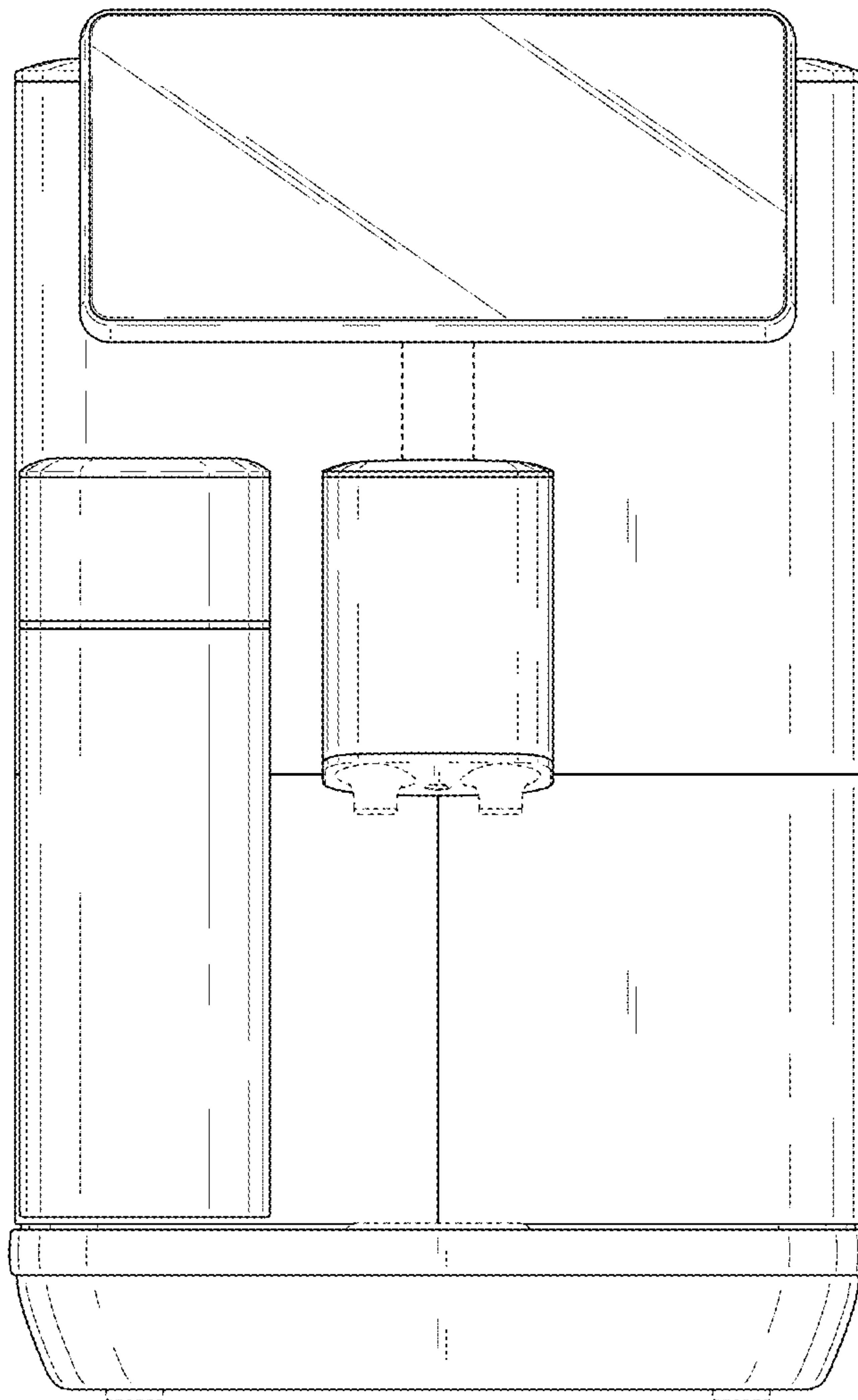


FIG. 3

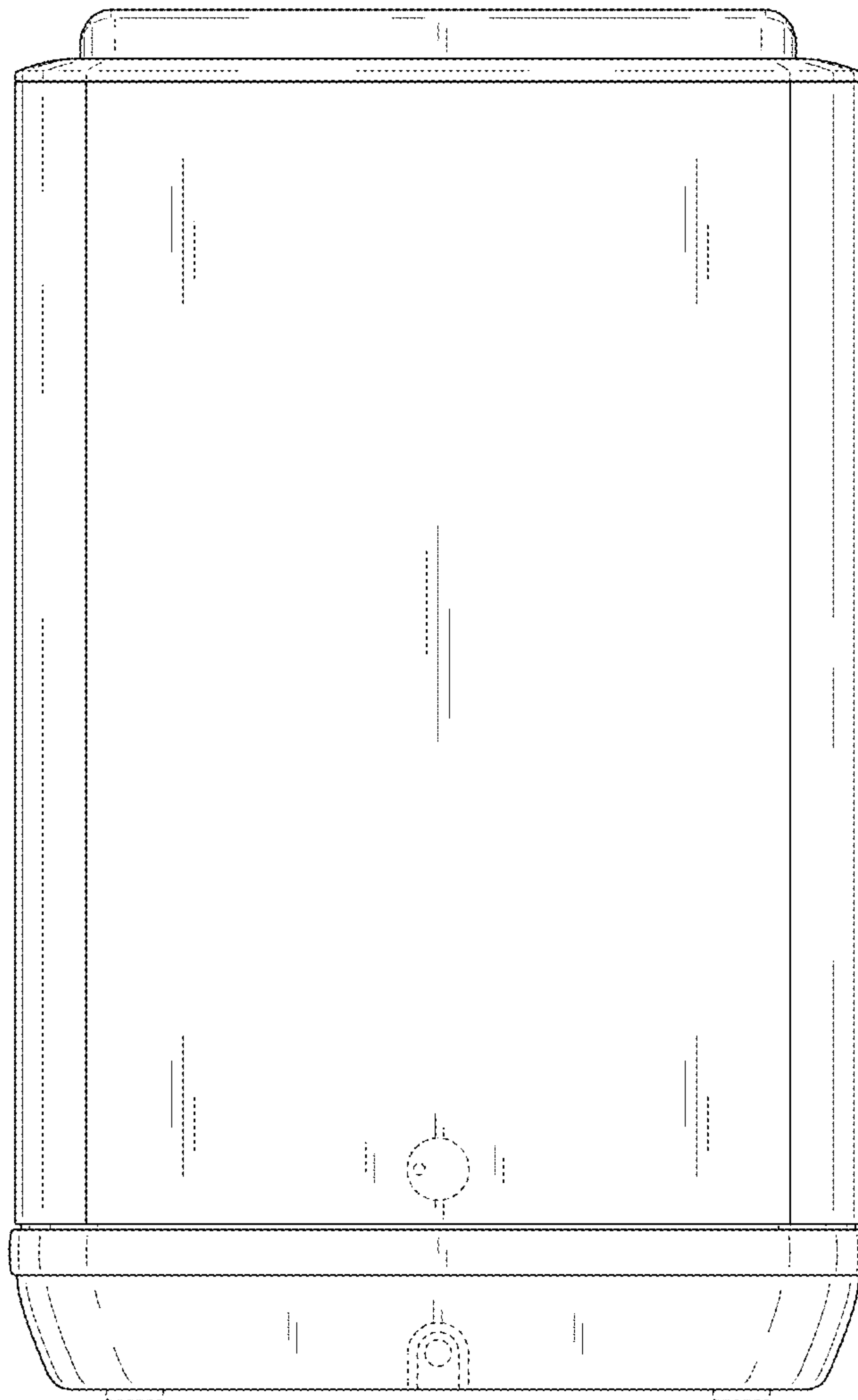


FIG. 4

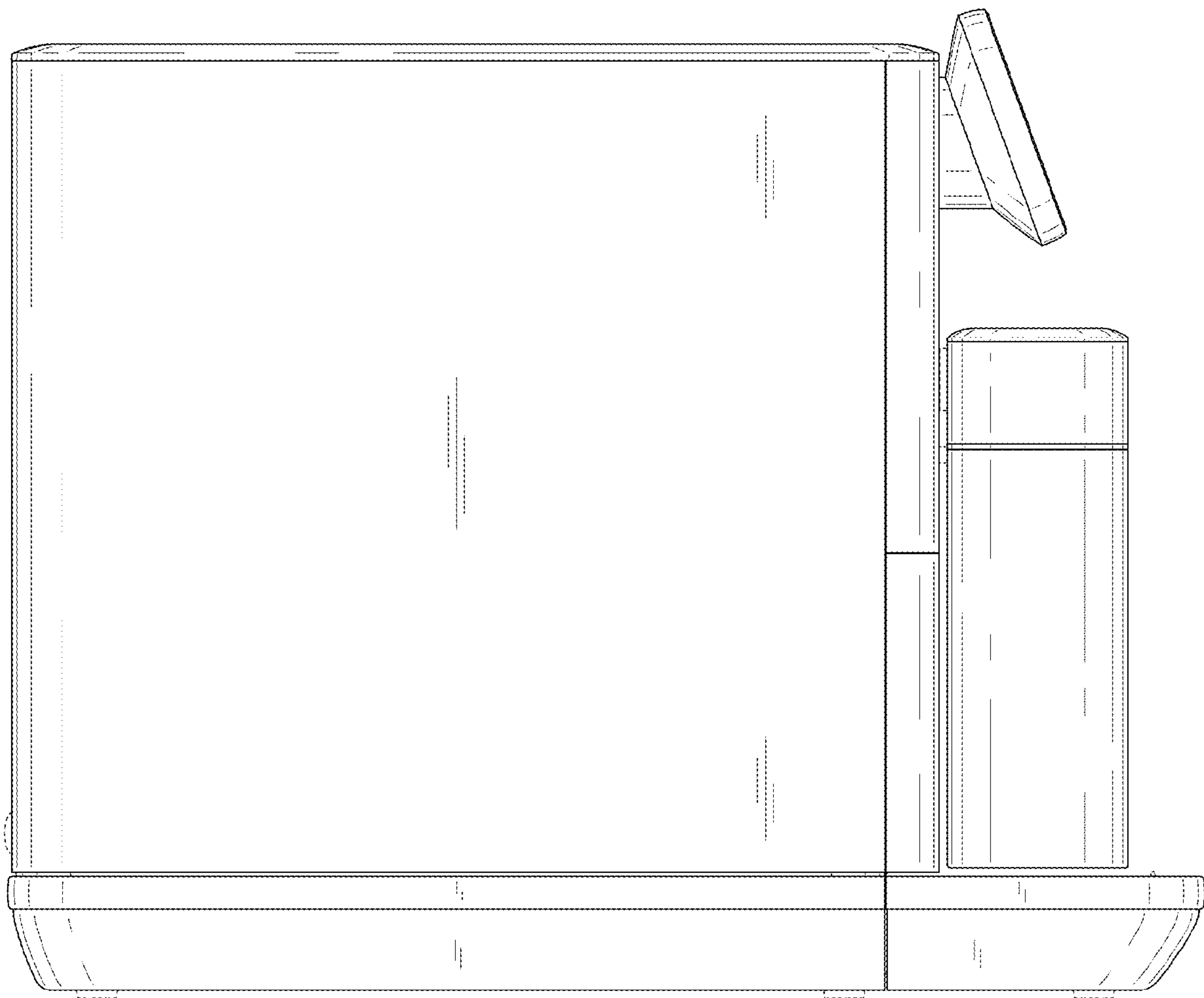


FIG. 5

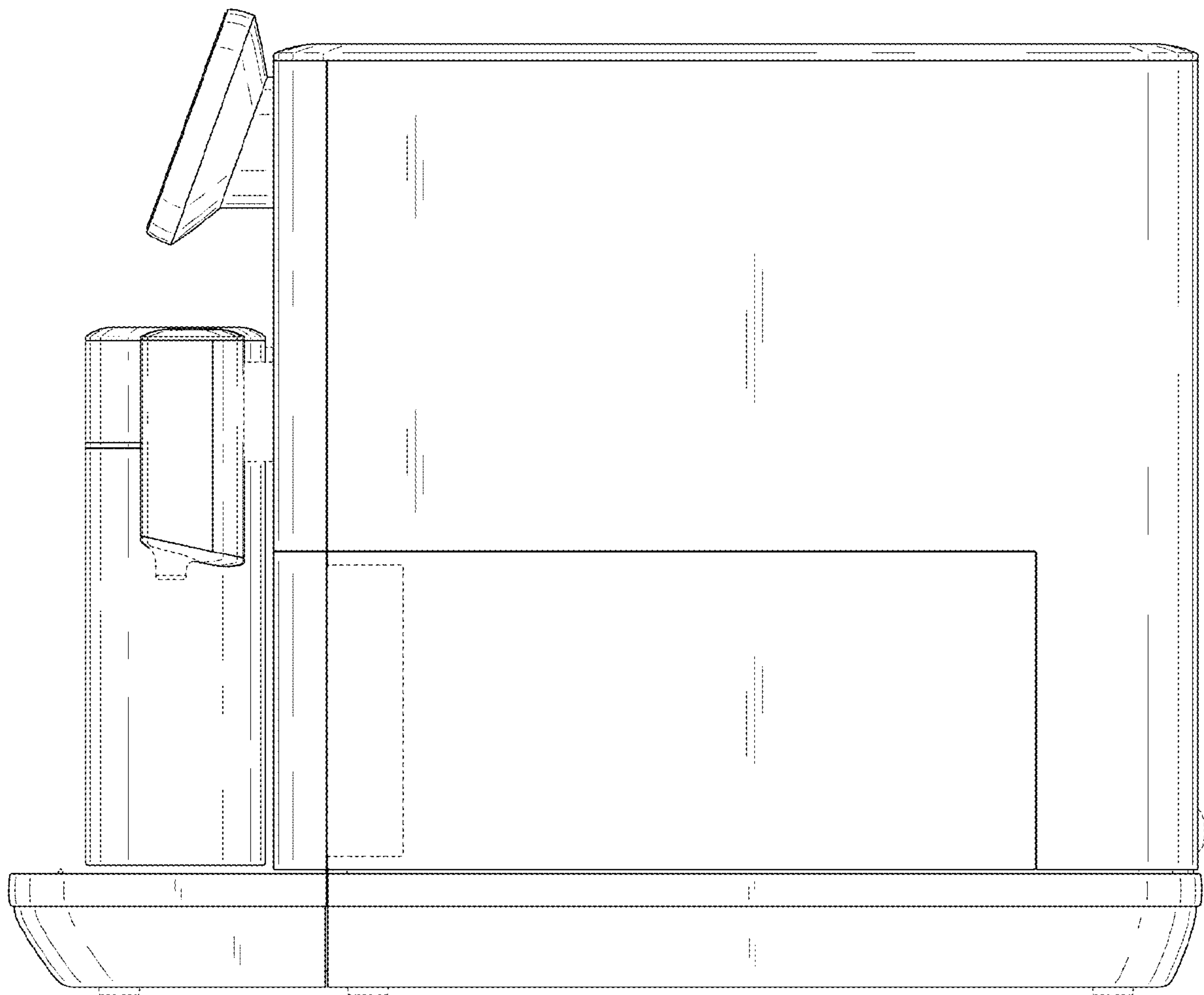


FIG. 6

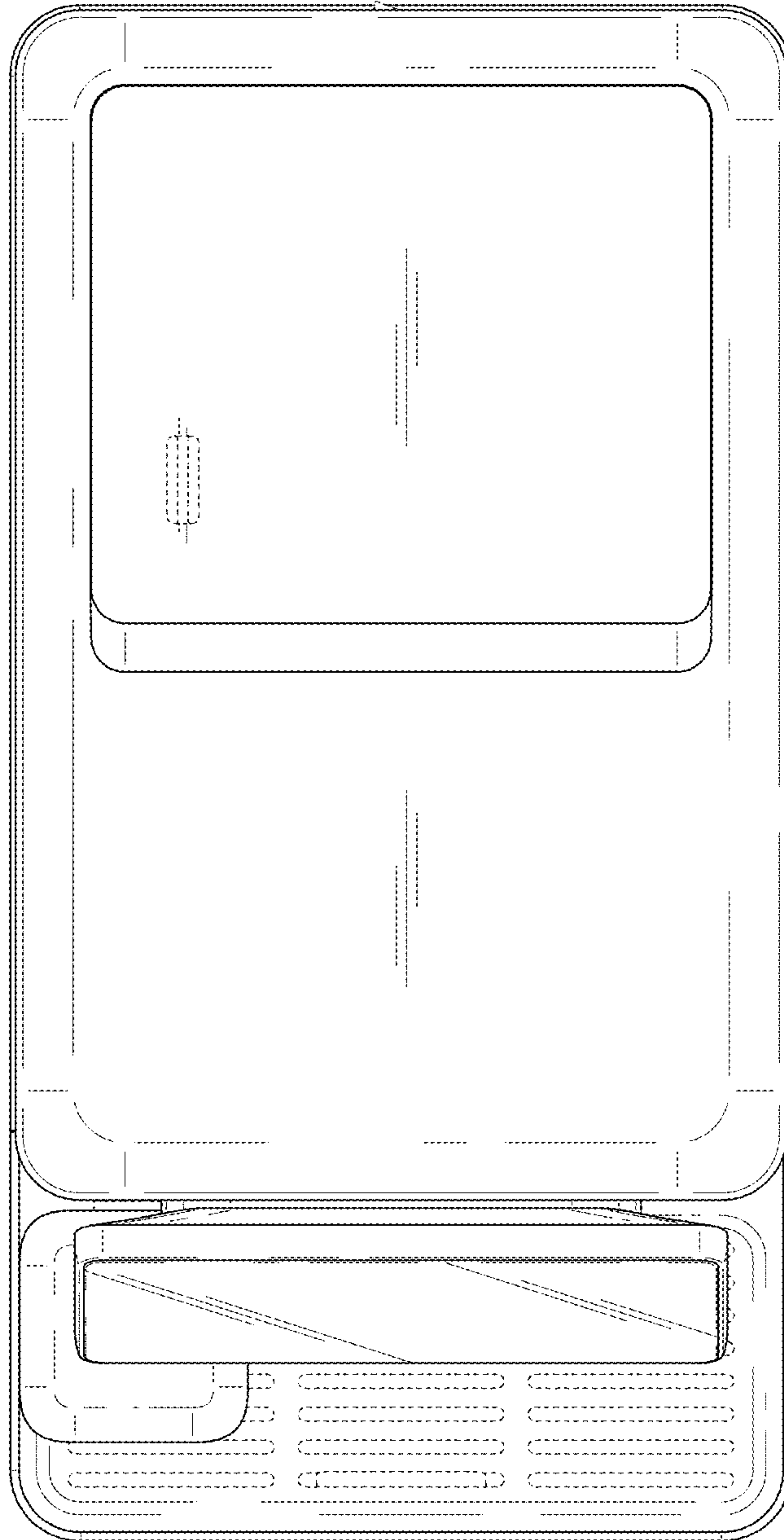


FIG. 7

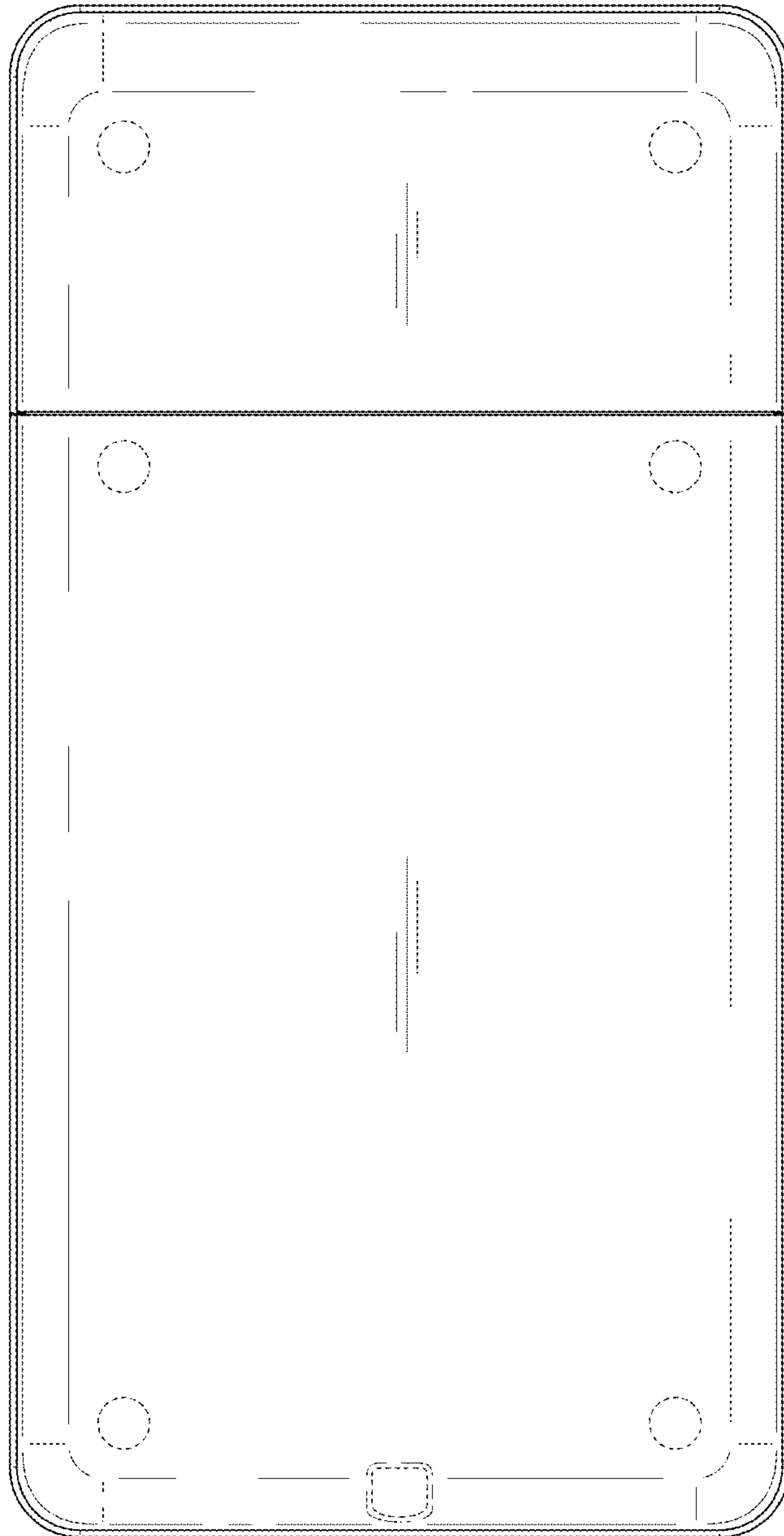


FIG. 8

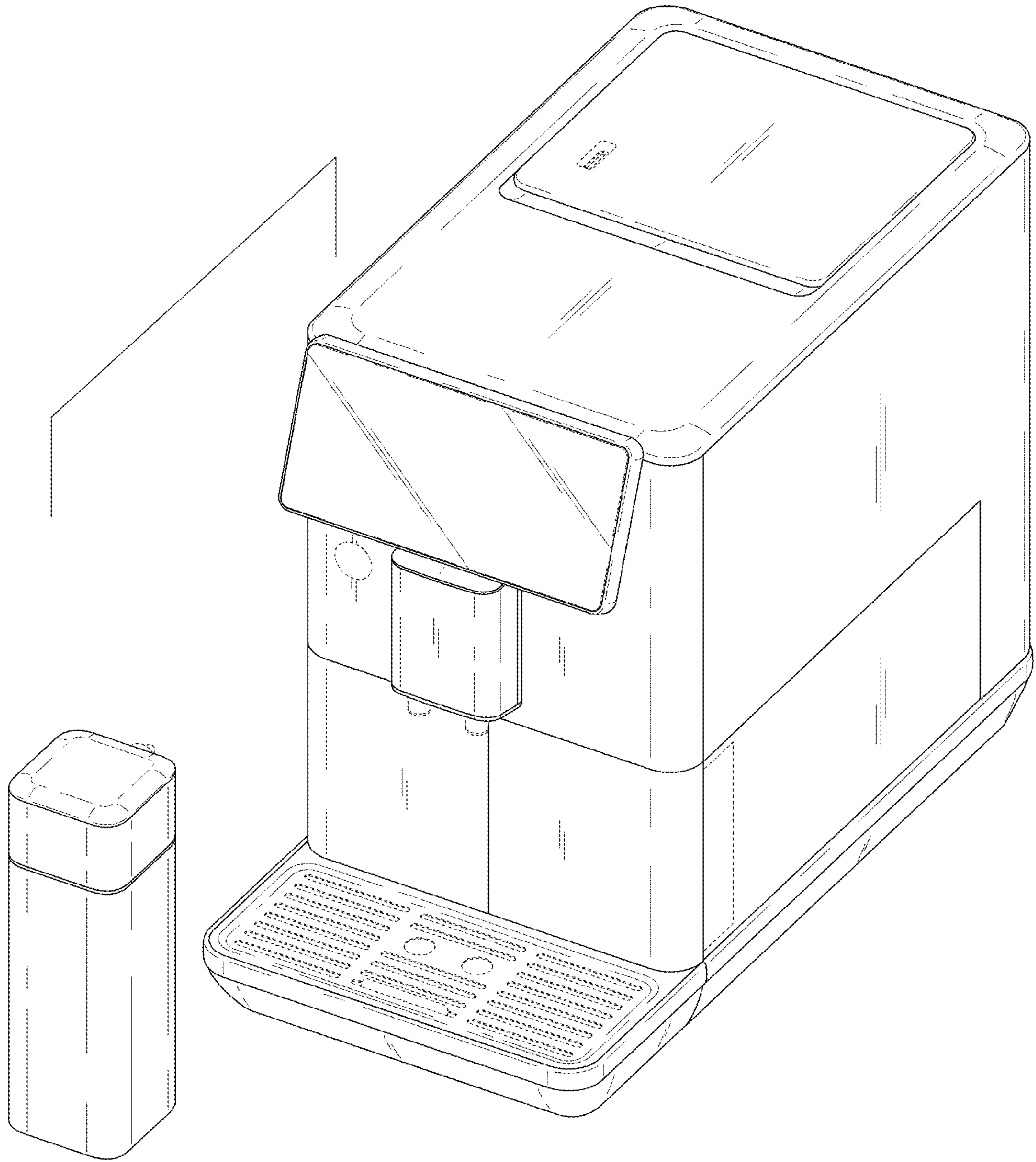


FIG. 9

