



US00D941624S

(12) **United States Design Patent** (10) **Patent No.:** **US D941,624 S**
Abu-Saymeh et al. (45) **Date of Patent:** **** Jan. 25, 2022**

- (54) **BREWER**
- (71) Applicant: **B/E Aerospace, Inc.**, Winston-Salem, NC (US)
- (72) Inventors: **Mudar S. Abu-Saymeh**, Olathe, KS (US); **Bryan N. Rogers**, Kearney, MO (US); **Sebastien A. Ramus**, Olathe, KS (US); **Keith R. DeBald**, Gardner, KS (US)
- (73) Assignee: **B/E Aerospace, Inc.**, Winston-Salem, NC (US)
- (**) Term: **15 Years**
- (21) Appl. No.: **29/723,261**
- (22) Filed: **Feb. 5, 2020**

D603,207	S	*	11/2009	Metz	D7/306
D661,043	S		5/2012	Brands		
D682,599	S	*	5/2013	Bolzicco	D7/309
D771,992	S	*	11/2016	Yang	D7/306
9,770,100	B2		9/2017	Huang et al.		
D853,169	S	*	7/2019	Choi	D7/307
D888,486	S	*	6/2020	Yang	D7/306
10,729,277	B2	*	8/2020	Jacobs	A47J 31/407
D901,225	S	*	11/2020	Remo	D7/306
2010/0140890	A1		6/2010	Boivin et al.		
2014/0021690	A1		1/2014	Burd		
2017/0050733	A1		2/2017	Miron et al.		

Related U.S. Application Data

- (63) Continuation-in-part of application No. 16/534,306, filed on Aug. 7, 2019, which is a continuation-in-part of application No. 29/595,097, filed on Feb. 24, 2017, now abandoned.
- (51) **LOC (13) Cl.** **12-07**
- (52) **U.S. Cl.**
USPC **D7/309**
- (58) **Field of Classification Search**
USPC D7/309, 399, 300
CPC A23F 5/26; A23F 5/262; A23F 3/00
See application file for complete search history.

References Cited

U.S. PATENT DOCUMENTS

D235,009	S	4/1975	Thompson
D340,336	S	10/1993	Groenewege et al.

OTHER PUBLICATIONS

Sky Tender Solution at the Aircraft Interiors Expo on Apr. 2-3, 2019 (Hamburg, Germany).

* cited by examiner

Primary Examiner — Gino Colan

(74) *Attorney, Agent, or Firm* — Suiter Swantz pc llo

CLAIM

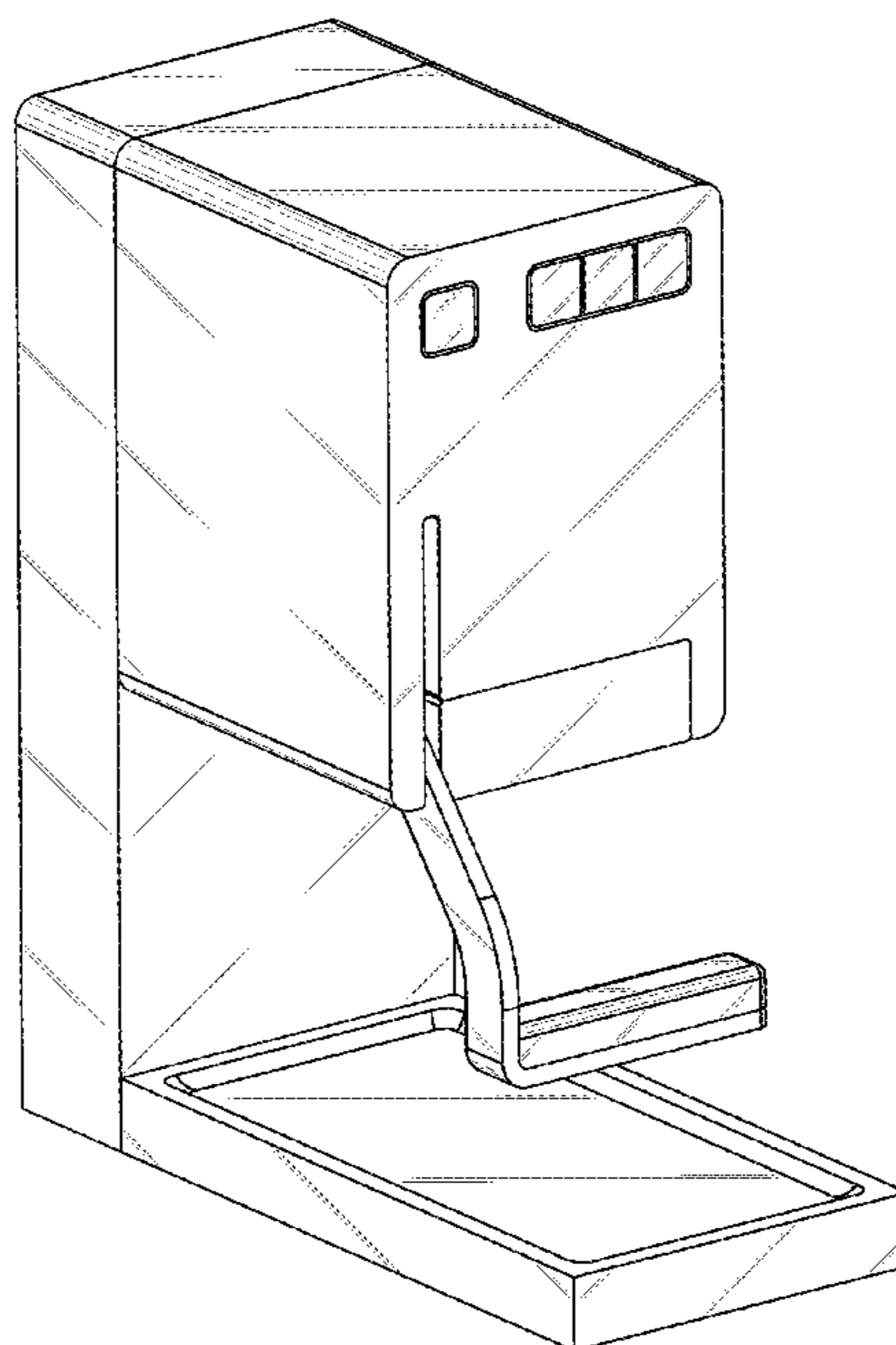
The ornamental design for a brewer, as shown and described.

DESCRIPTION

FIG. 1 is a perspective view showing our new design;
 FIG. 2 is a top plan view thereof;
 FIG. 3 is a front elevation view thereof;
 FIG. 4 is a left side elevation view thereof;
 FIG. 5 is a rear elevation view thereof;
 FIG. 6 is a right side elevation view thereof; and,
 FIG. 7 is a bottom plan view thereof.

The broken lines shown in the figures are for the purpose of illustrating portions of the brewer and form no part of the claimed design.

1 Claim, 7 Drawing Sheets



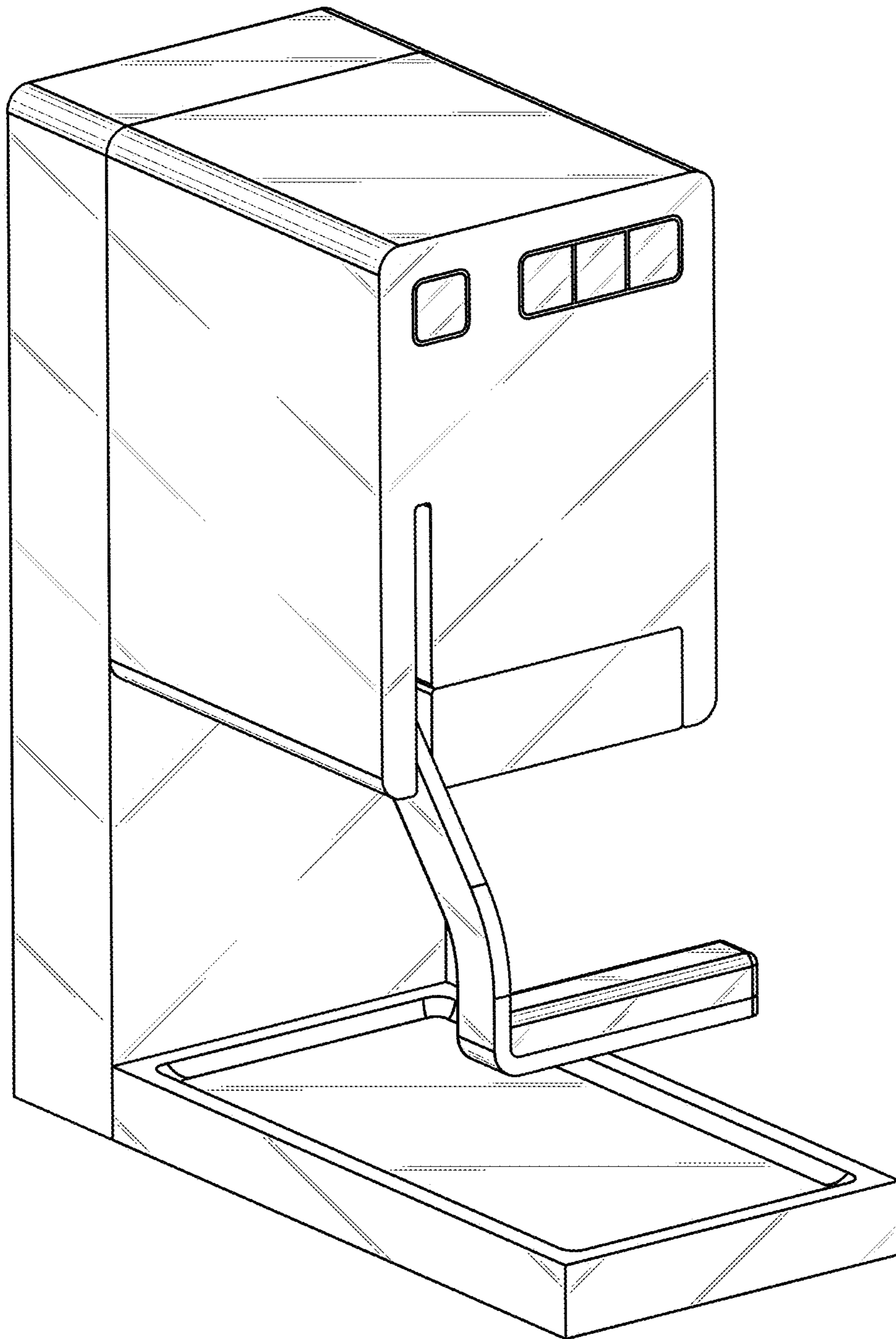


FIG. 1

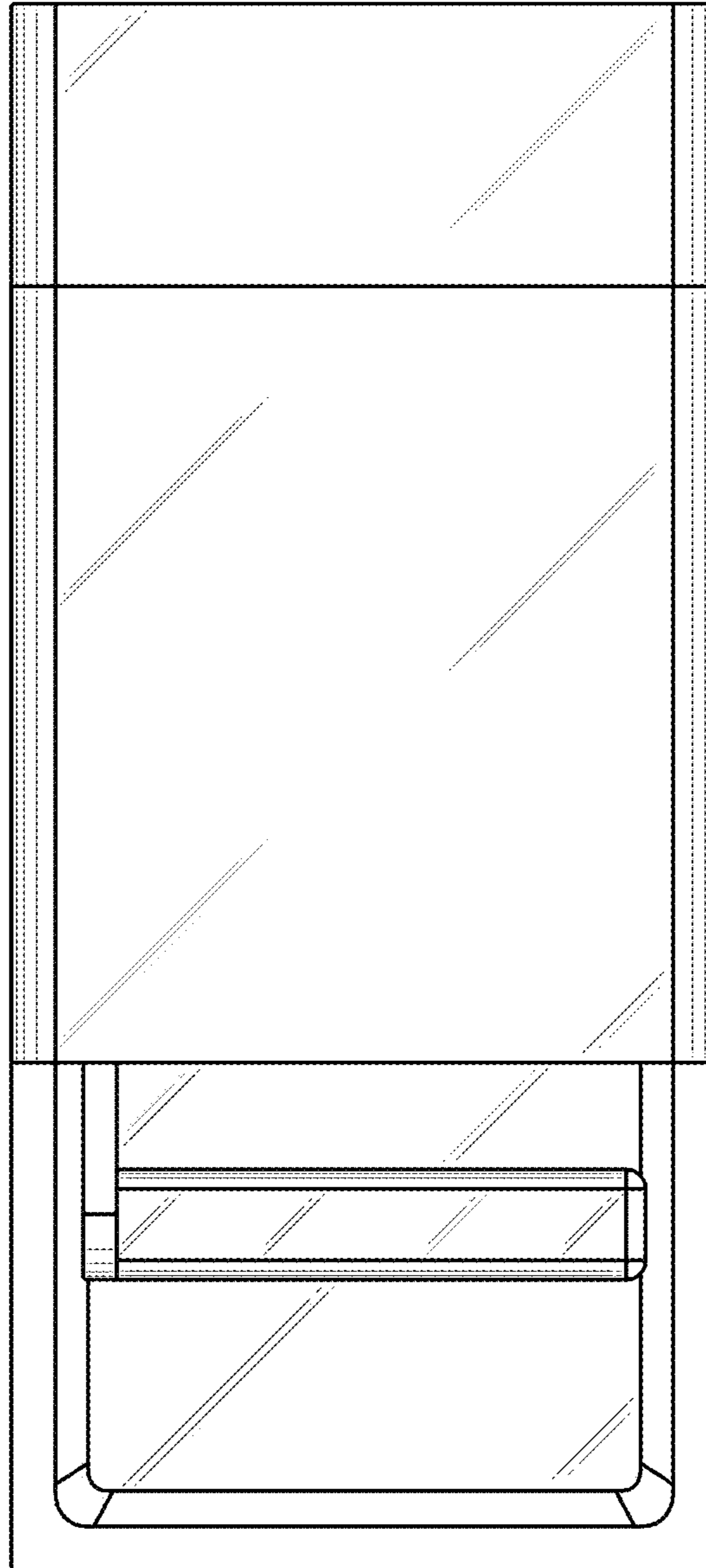


FIG. 2

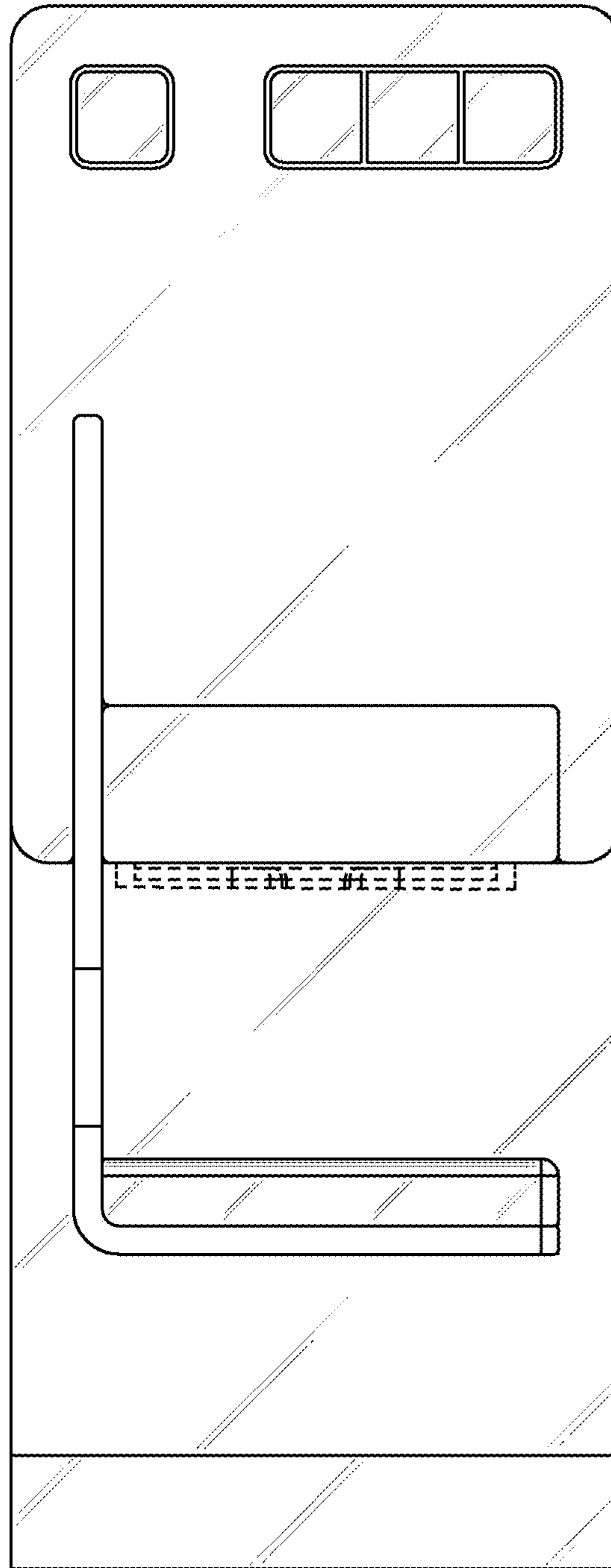


FIG. 3

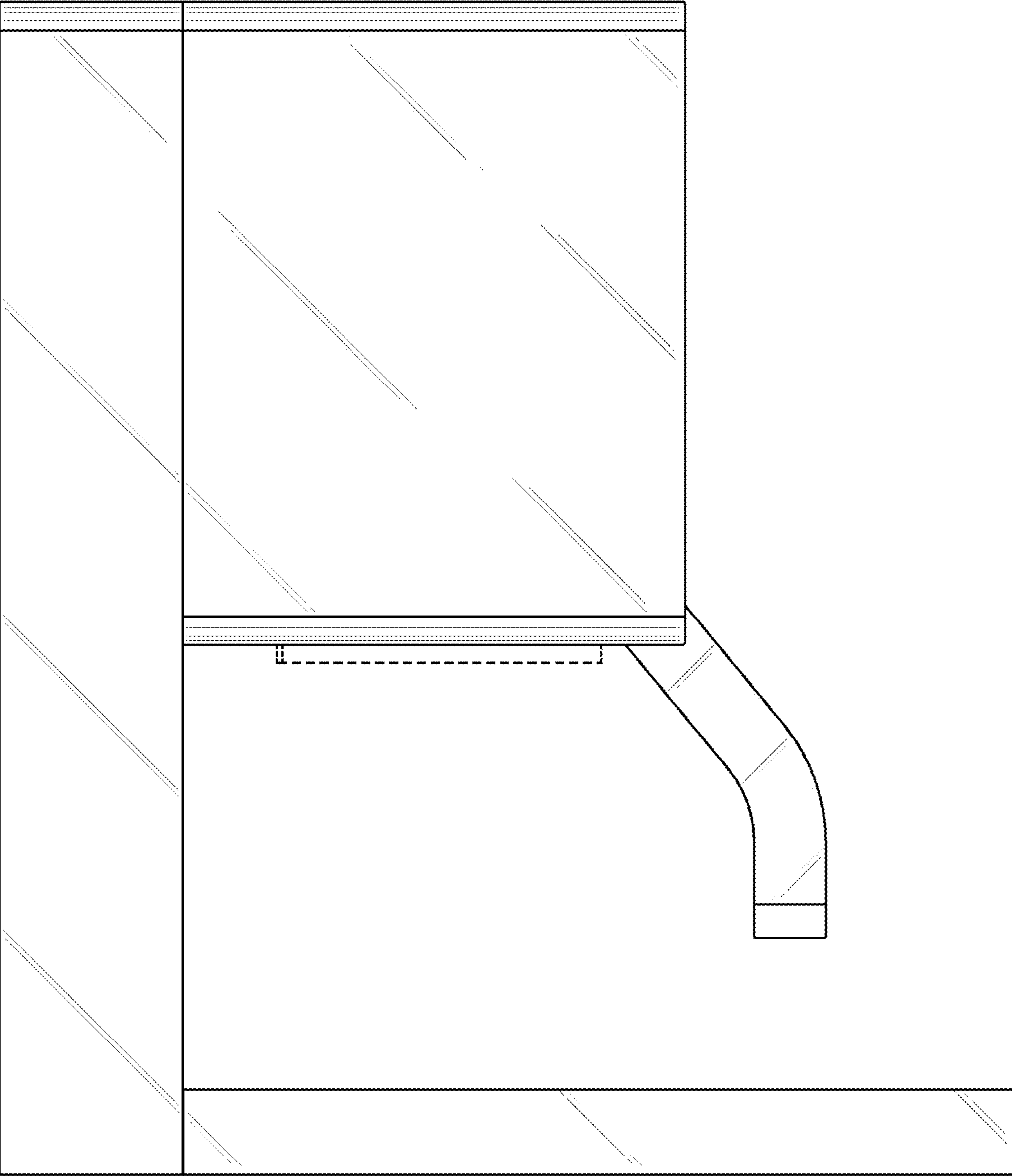


FIG.4

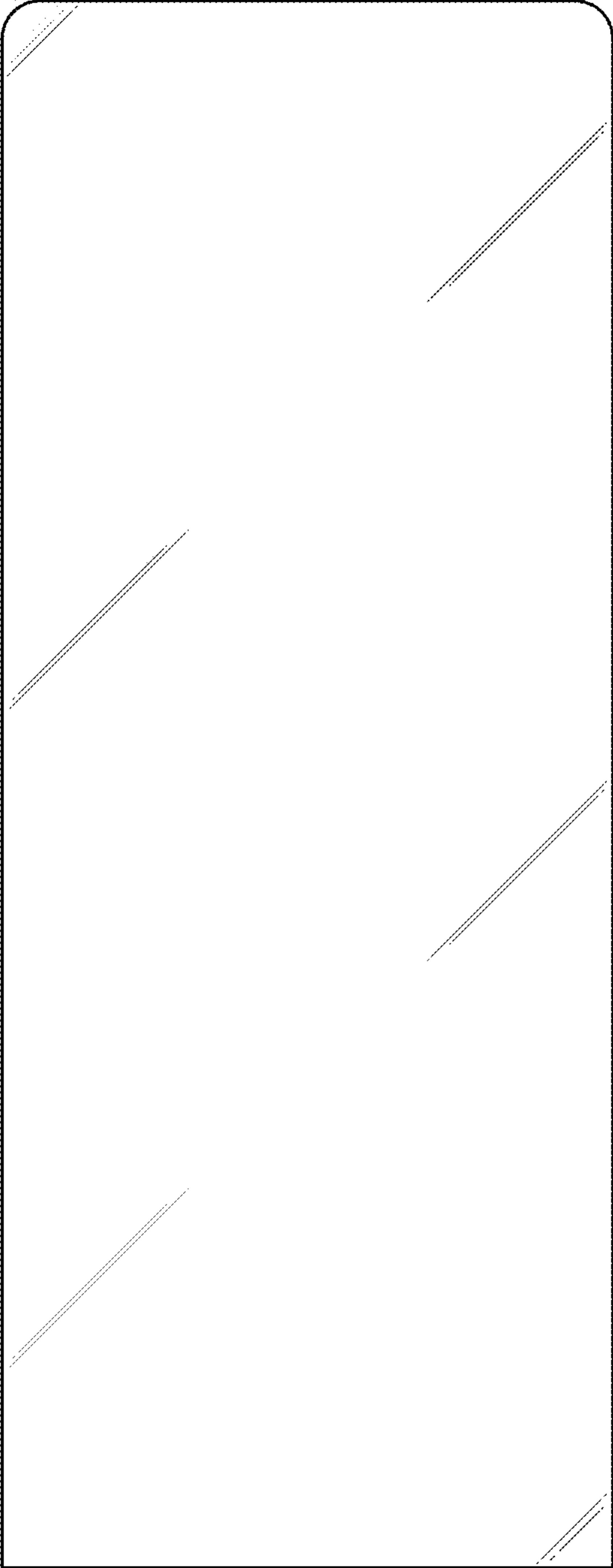


FIG.5

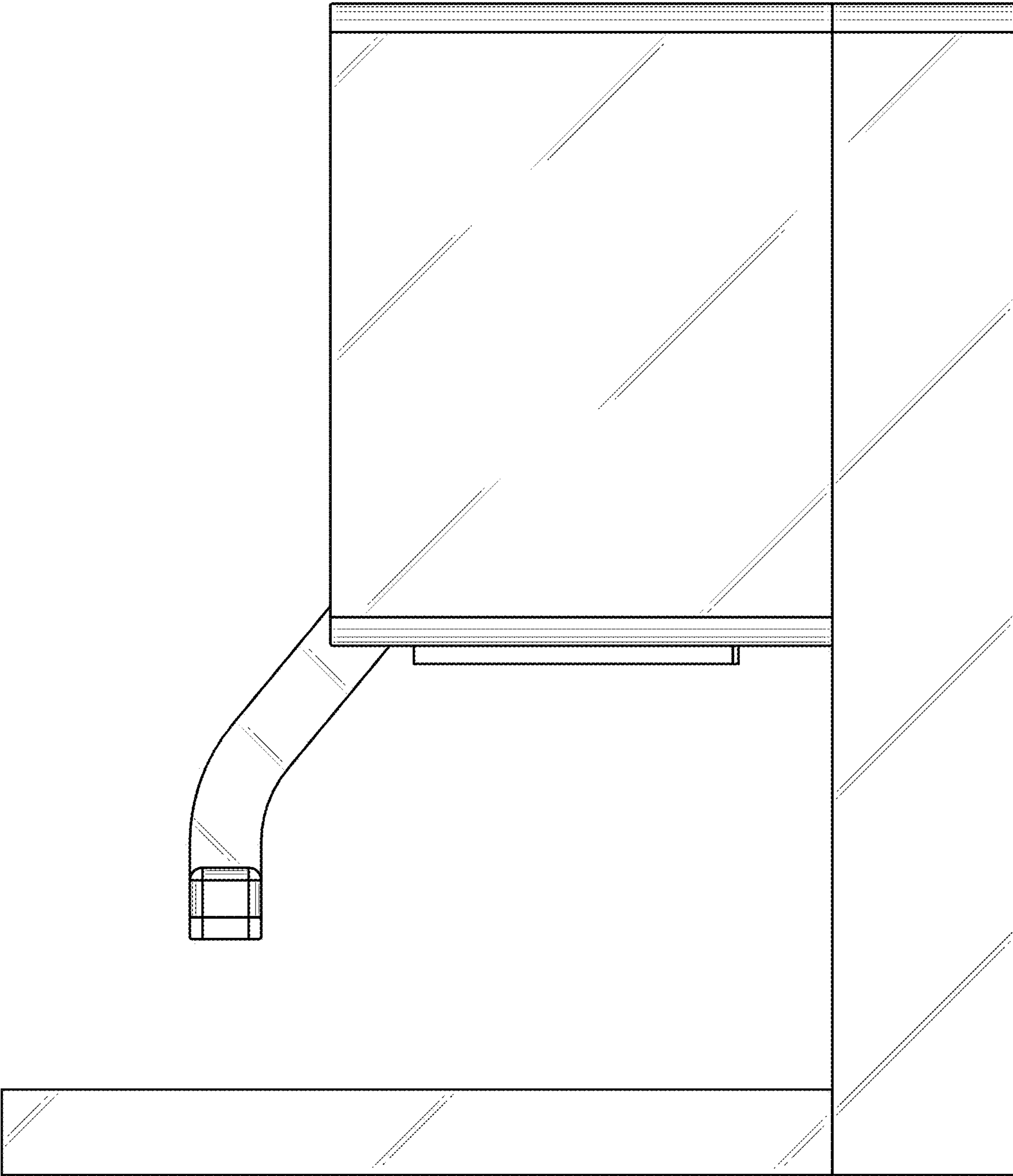


FIG.6

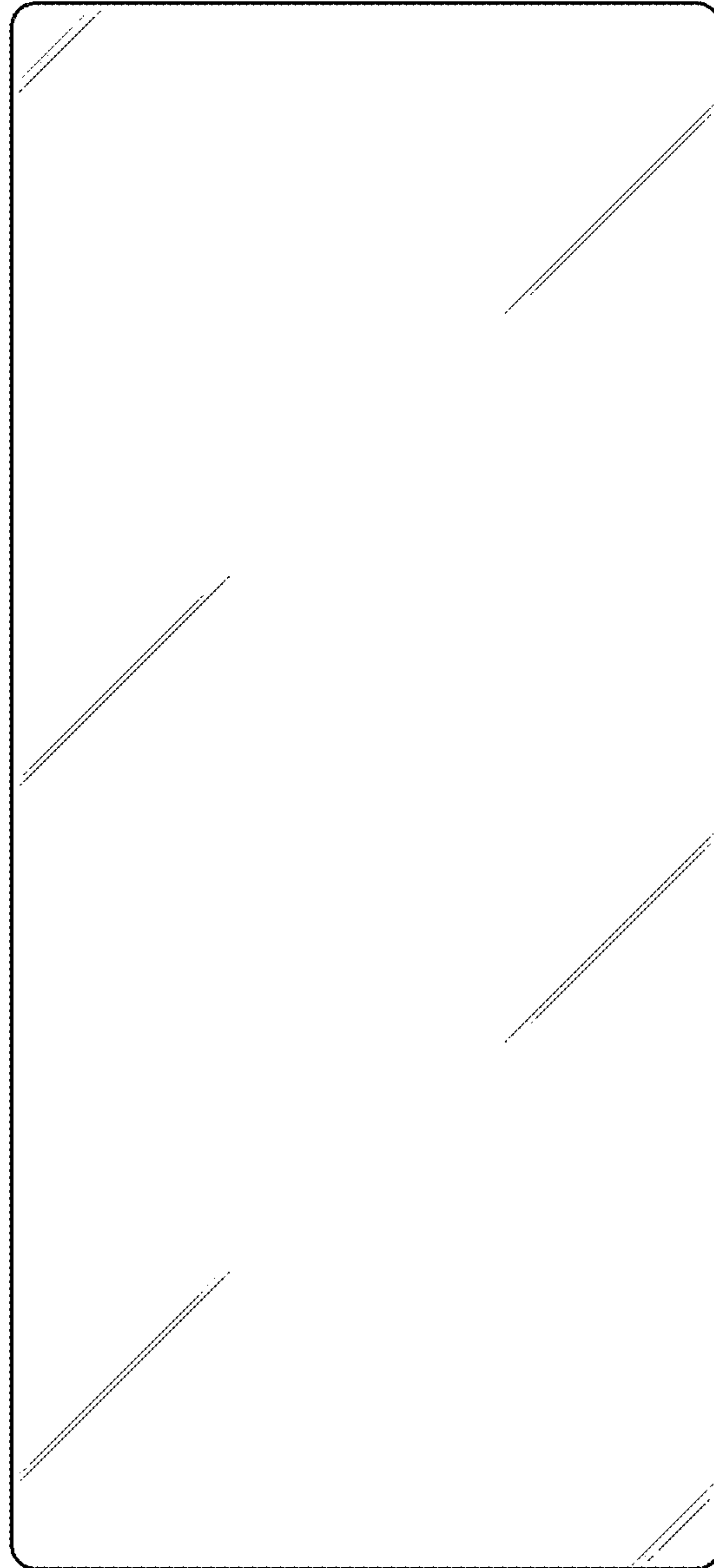


FIG. 7