



US00D941621S

(12) **United States Design Patent**  
**Patel**

(10) **Patent No.:** **US D941,621 S**  
(45) **Date of Patent:** **\*\* Jan. 25, 2022**

- (54) **CHAIR**
- (71) Applicant: **CYBEART INC.**, North York (CA)
- (72) Inventor: **Krutik Patel**, North York (CA)
- (73) Assignee: **CYBEART INC.**, North York (CA)
- (\*\*) Term: **15 Years**
- (21) Appl. No.: **29/736,362**
- (22) Filed: **May 29, 2020**

(30) **Foreign Application Priority Data**

May 19, 2020 (CA) ..... CA 195685

(51) **LOC (13) Cl.** ..... **06-01**

(52) **U.S. Cl.**  
USPC ..... **D6/716.4**

(58) **Field of Classification Search**  
USPC ..... D6/334, 366, 367, 374, 375, 379, 380,  
D6/716, 716.1, 716.2, 716.4  
CPC ..... A47C 1/02; A47C 1/024; A47C 1/03255;  
A47C 3/18; A47C 3/20; A47C 7/18;  
A47C 7/24; A47C 7/36; A47C 7/38;  
A47C 7/40; A47C 7/46; A47C 7/54  
See application file for complete search history.

(56) **References Cited**

**U.S. PATENT DOCUMENTS**

D542,547 S *	5/2007	Su	.....	D6/366
D893,910 S *	8/2020	Ko	.....	D6/366
D905,992 S *	12/2020	Li	.....	D6/366
D905,993 S *	12/2020	Wu	.....	D6/366
D910,329 S *	2/2021	Wang	.....	D6/366
D923,350 S *	6/2021	Chen	.....	D6/366
D925,936 S *	7/2021	Zhou	.....	D6/366
D927,872 S *	8/2021	Li	.....	D6/366
2011/0057498 A1 *	3/2011	Fujita	.....	B60N 2/0705 297/452.18

2015/0091353 A1 *	4/2015	Horn	.....	A47C 3/00 297/354.11
2019/0118684 A1 *	4/2019	Noguchi	.....	B60N 2/5816
2019/0254433 A1 *	8/2019	Smit	.....	A47C 4/20

**OTHER PUBLICATIONS**

EUIPO: European Union Design Application No. 004407674-0002; registered on Oct. 16, 2017 in the name of Secretlab SG Pte Ltd.  
Australian Design Application No. 201916028, registered on Nov. 29, 2019 in the name of Secretlab SG Pte Ltd.  
Designview: International Design DM204840-0001, published on Dec. 20, 2019, in the name of Secretlab SG Pte. Ltd.  
EUIPO: European Union Design Application No. 004407674-0001; registered on Oct. 16, 2017 in the name of Secretlab SG Pte Ltd.

\* cited by examiner

*Primary Examiner* — R. Johnson

(74) *Attorney, Agent, or Firm* — Philip C. Mendes da Costa; Bereskin & Parr LLP/S.E.N.C.R.L., s.r.l.

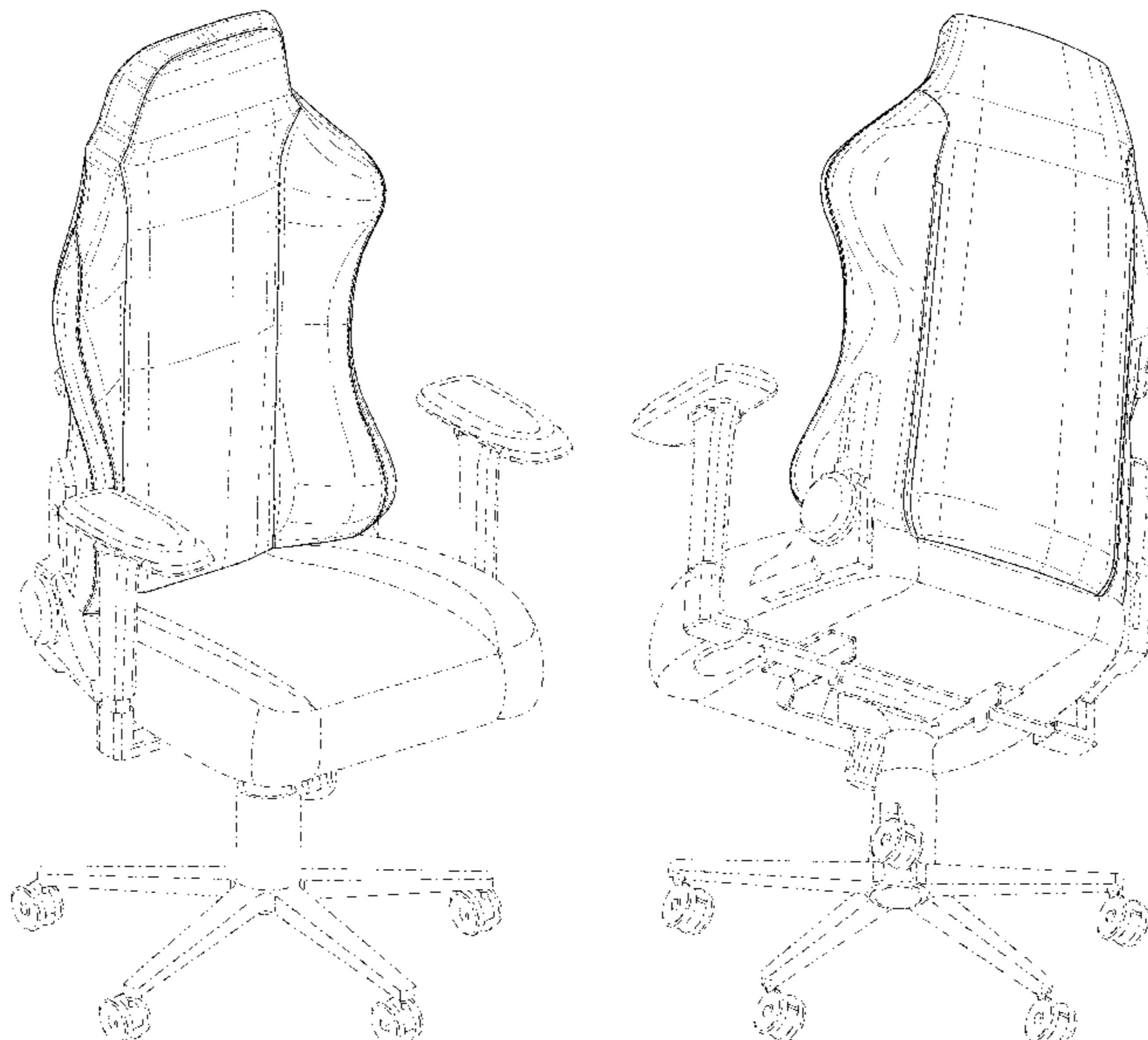
(57) **CLAIM**

The ornamental design for a chair, as shown and described.

**DESCRIPTION**

FIG. 1 is a front perspective view of a chair;  
FIG. 2 is a rear perspective view of the chair shown in FIG. 1;  
FIG. 3 is a left side view of the chair shown in FIG. 1;  
FIG. 4 is a front view of the chair shown in FIG. 1;  
FIG. 5 is a right side view of the chair shown in FIG. 1;  
FIG. 6 is a rear view of the chair shown in FIG. 1;  
FIG. 7 is a top plan view of the chair shown in FIG. 1; and,  
FIG. 8 is a bottom plan view of the chair shown in FIG. 1.  
The portions shown in broken dash-dot-dash lines do not form part of the design. The evenly spaced dash lines represent stitching.

**1 Claim, 8 Drawing Sheets**



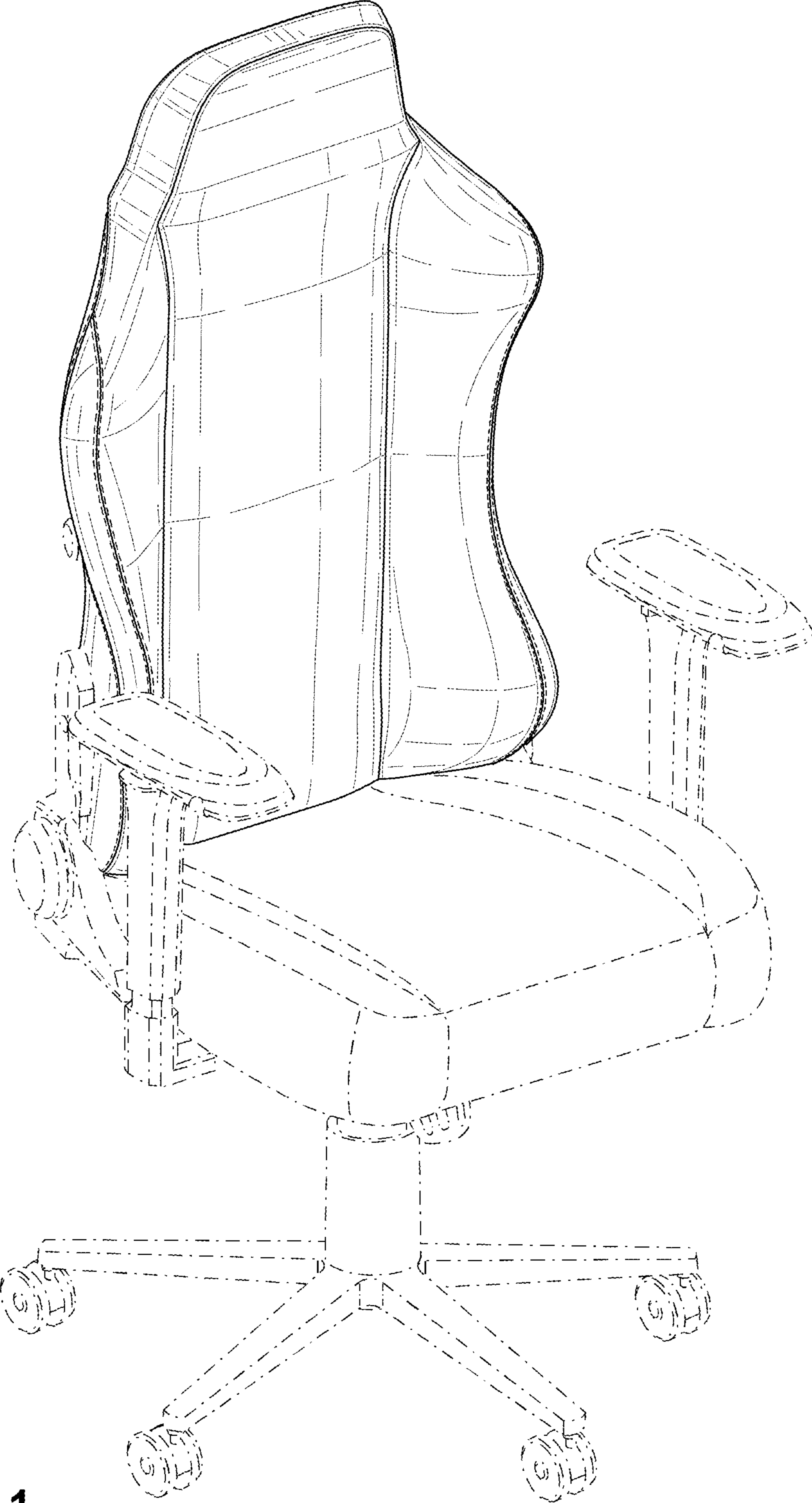


FIG. 1

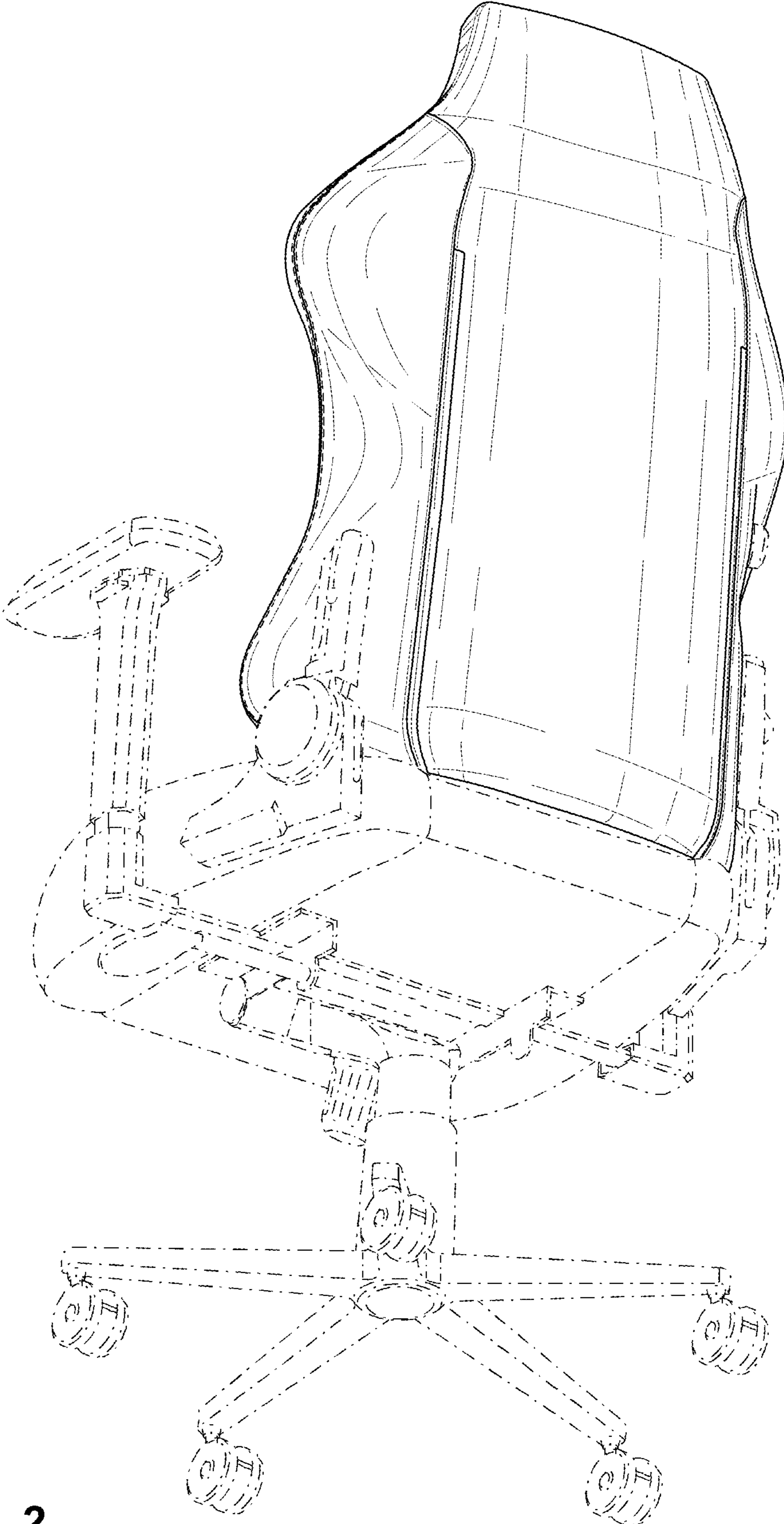


FIG. 2

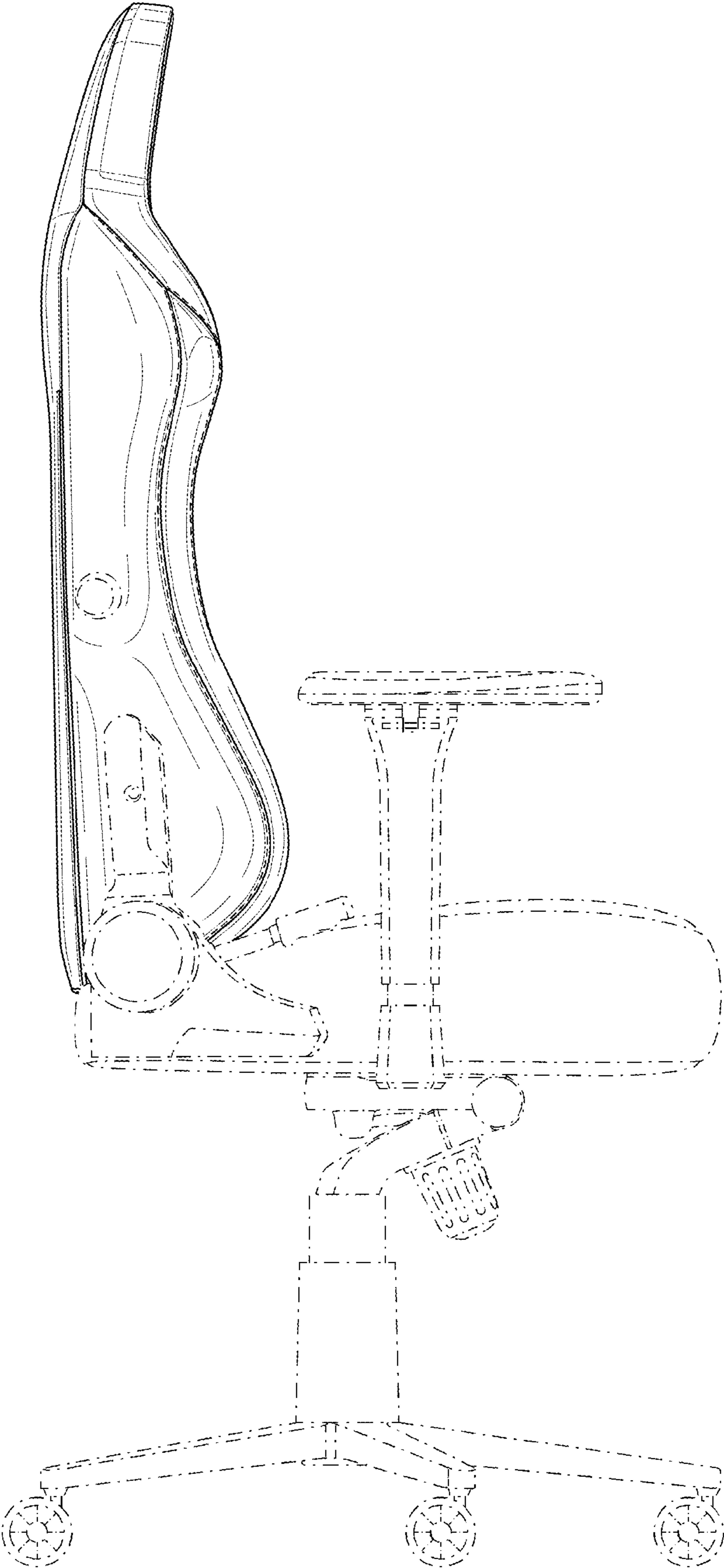


FIG. 3

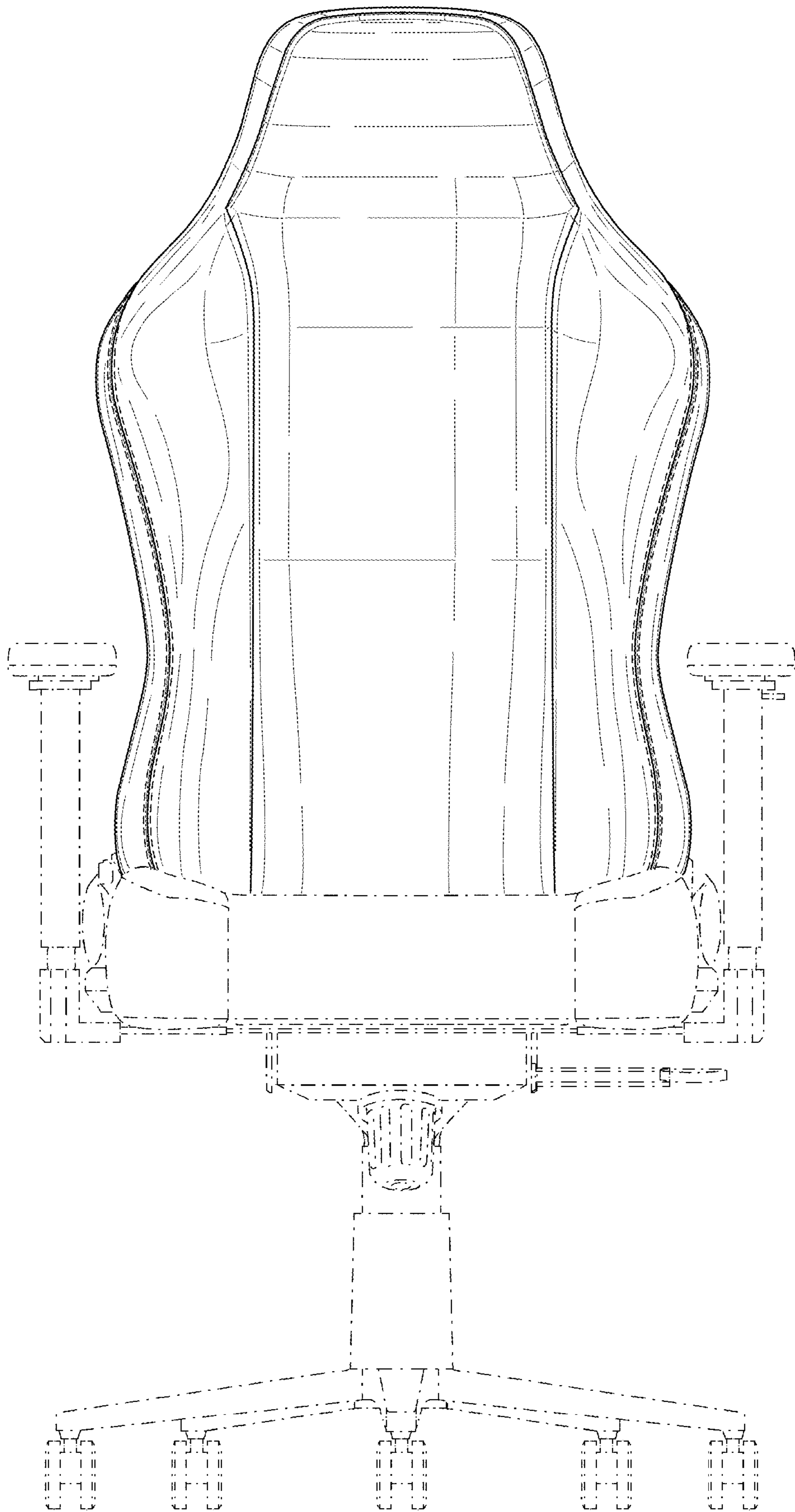


FIG. 4

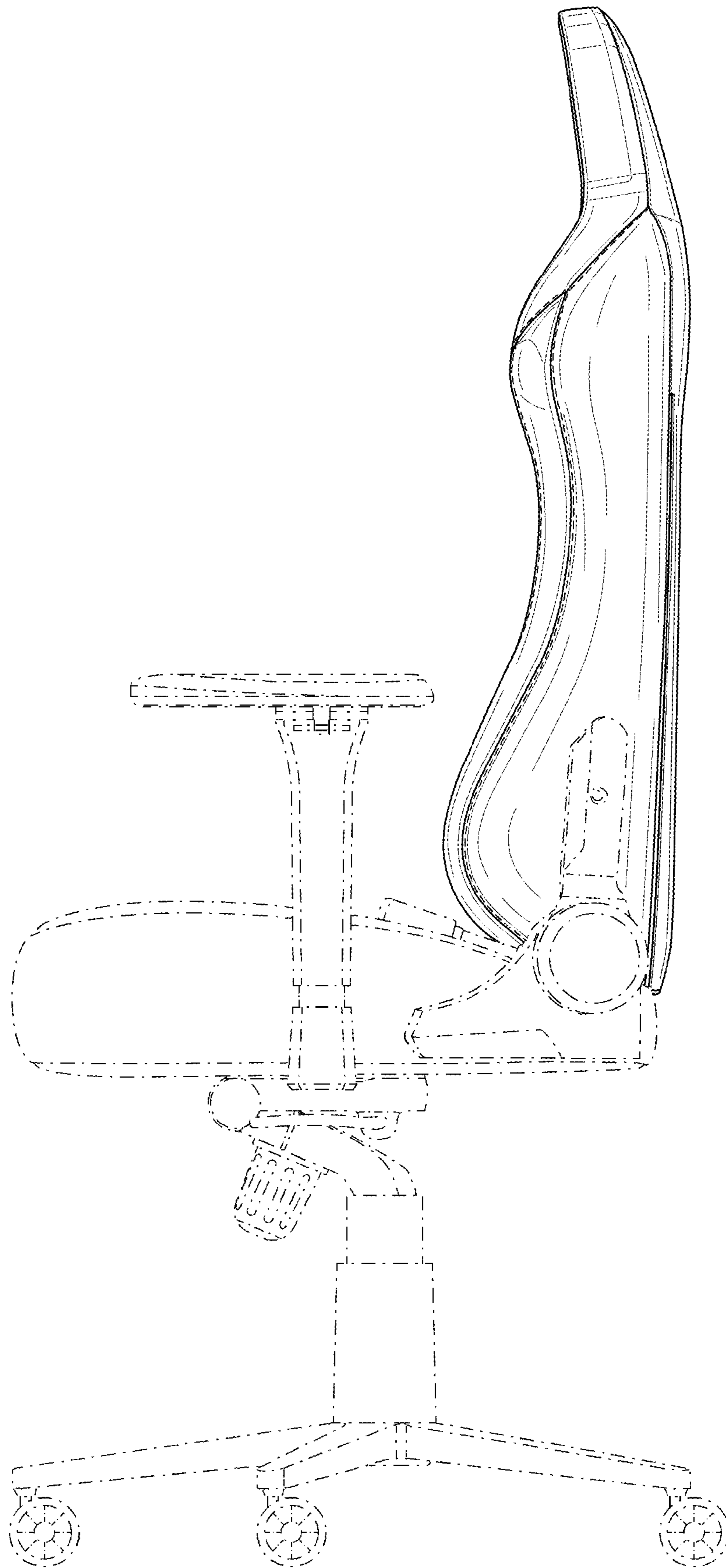


FIG. 5

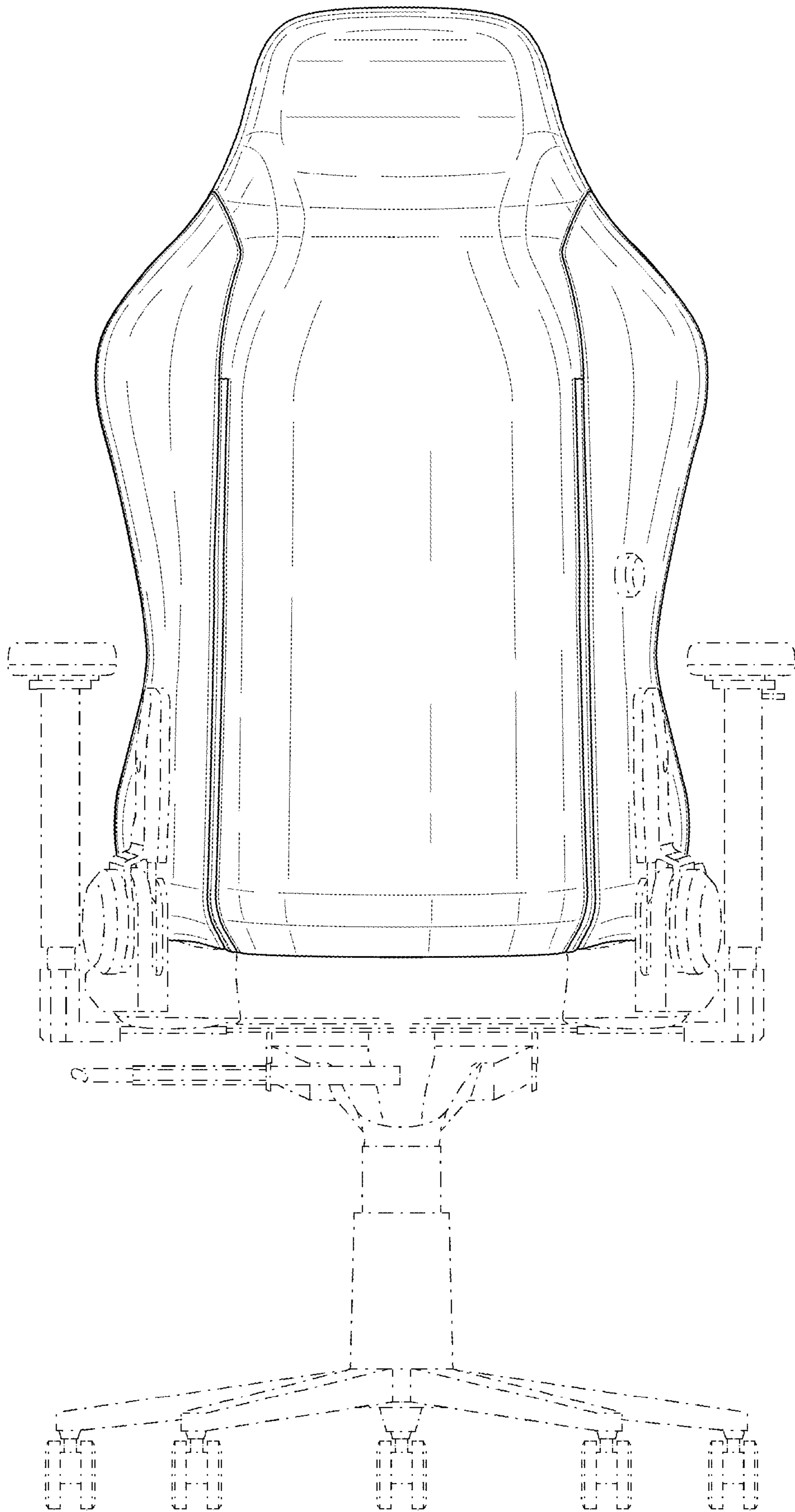


FIG. 6

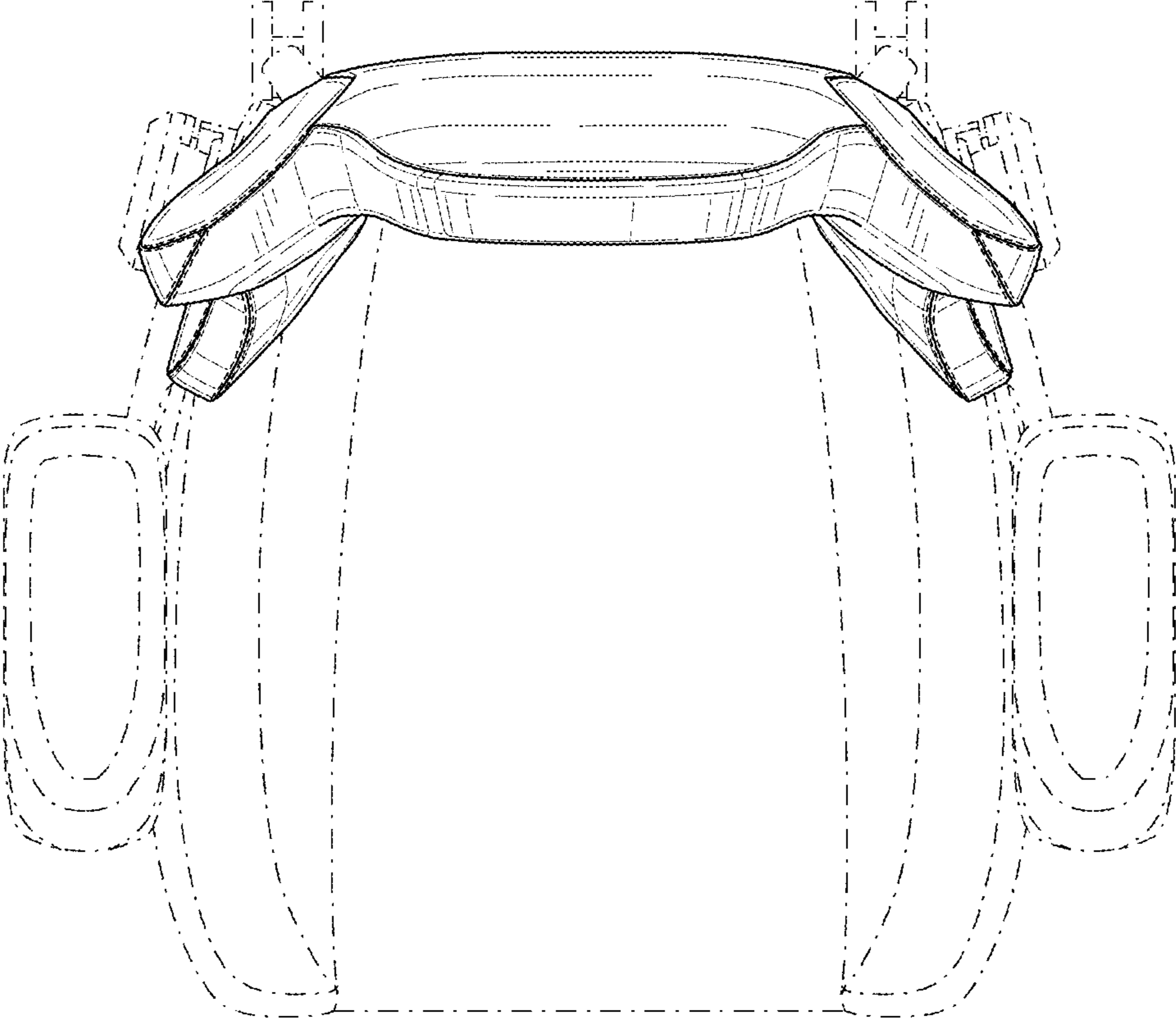


FIG. 7



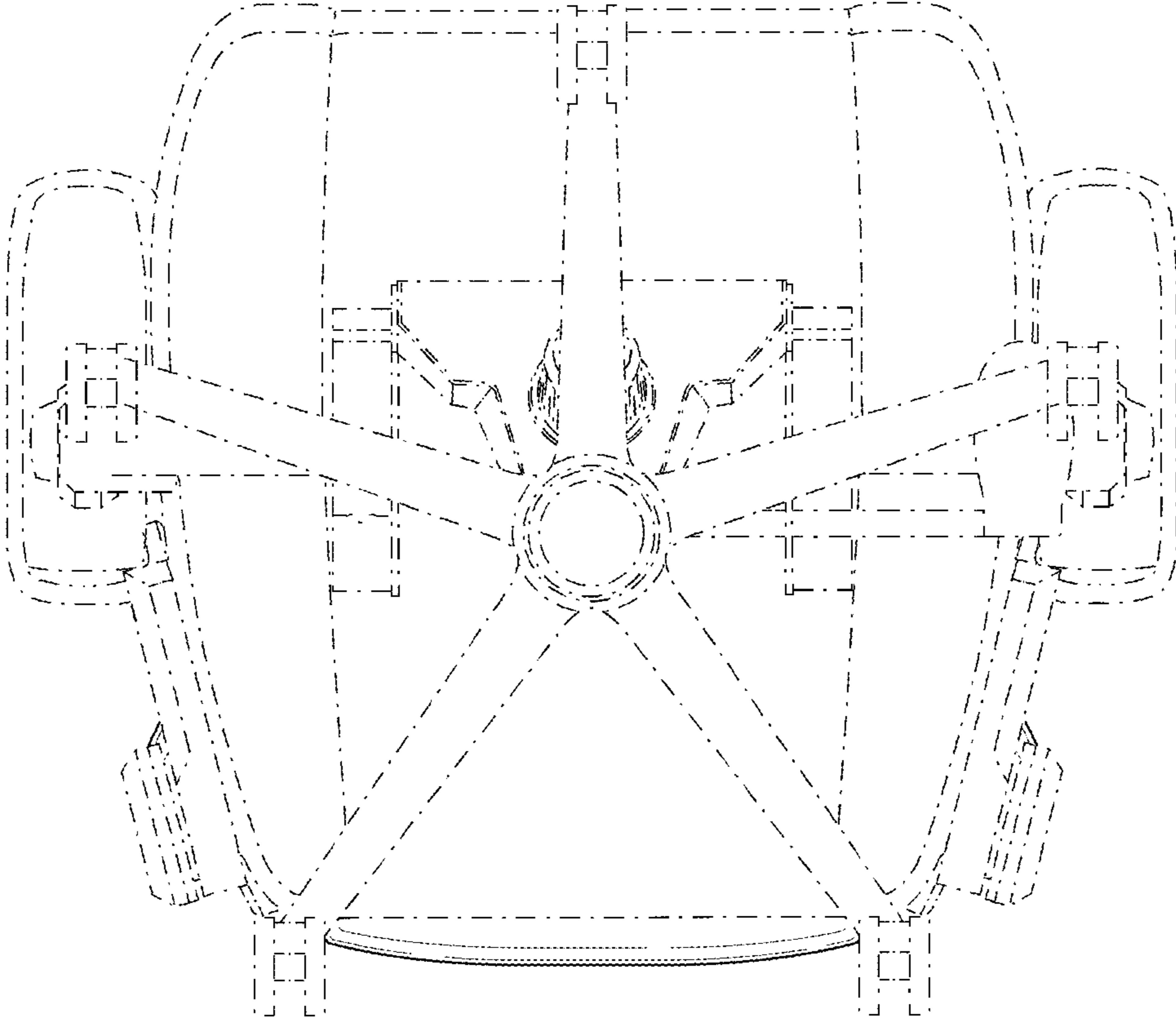


FIG. 8