



US00D941620S

(12) **United States Design Patent** (10) **Patent No.:** **US D941,620 S**  
**Velez** (45) **Date of Patent:** **\*\* Jan. 25, 2022**

(54) **TABLE**  
(71) Applicant: **HOLLY HUNT ENTERPRISES, INC.**, Chicago, IL (US)  
(72) Inventor: **Alberto Velez**, Chicago, IL (US)  
(73) Assignee: **HOLLY HUNT ENTERPRISES, INC.**  
(\*\*) Term: **15 Years**  
(21) Appl. No.: **29/716,887**  
(22) Filed: **Dec. 12, 2019**  
(51) **LOC (13) Cl.** ..... **06-06**  
(52) **U.S. Cl.**  
USPC ..... **D6/708.15**; D6/708.17; D6/692.3  
(58) **Field of Classification Search**  
USPC ... D6/349, 685, 686, 690, 692, 692.1–692.6,  
D6/702, 708, 708.15–708.17, 708.2, 715  
CPC ..... A47B 7/00; A47B 13/00; A47B 13/003;  
A47B 13/02; A47B 13/023; A47B 13/04;  
A47B 13/06; A47B 13/08; A47B 13/01;  
A47B 13/12; A47B 2013/024; A47B  
21/00; A47B 2200/0001; A47B  
2200/0011; A47B 2200/002; A47B  
2200/0021  
See application file for complete search history.

(56) **References Cited**  
U.S. PATENT DOCUMENTS  
D257,925 S \* 1/1981 Redmond ..... D6/692.3  
D260,214 S \* 8/1981 Lewis ..... D6/692.3  
D367,841 S \* 3/1996 Garelick ..... D12/317  
5,499,726 A \* 3/1996 Mitchell ..... A47F 5/16  
211/183  
D415,634 S \* 10/1999 Lin ..... D6/692.3  
D431,132 S 9/2000 Lewis  
D446,054 S 8/2001 Jeup  
D461,070 S \* 8/2002 Diaz-Azcuy ..... D6/708

D542,570 S 5/2007 Tabashi  
D562,599 S \* 2/2008 Everson ..... D6/692.3  
D656,663 S \* 3/2012 Son ..... D26/118  
D745,297 S \* 12/2015 Ye ..... D6/692.3  
D808,695 S \* 1/2018 MacAllen ..... D6/692.3  
(Continued)

**OTHER PUBLICATIONS**

Oryx Dining Table—Holly Hunt <https://www.hollyhunt.com/product/oryx-dining-table> retrieved from the internet on Jul. 20, 2021.\*  
(Continued)

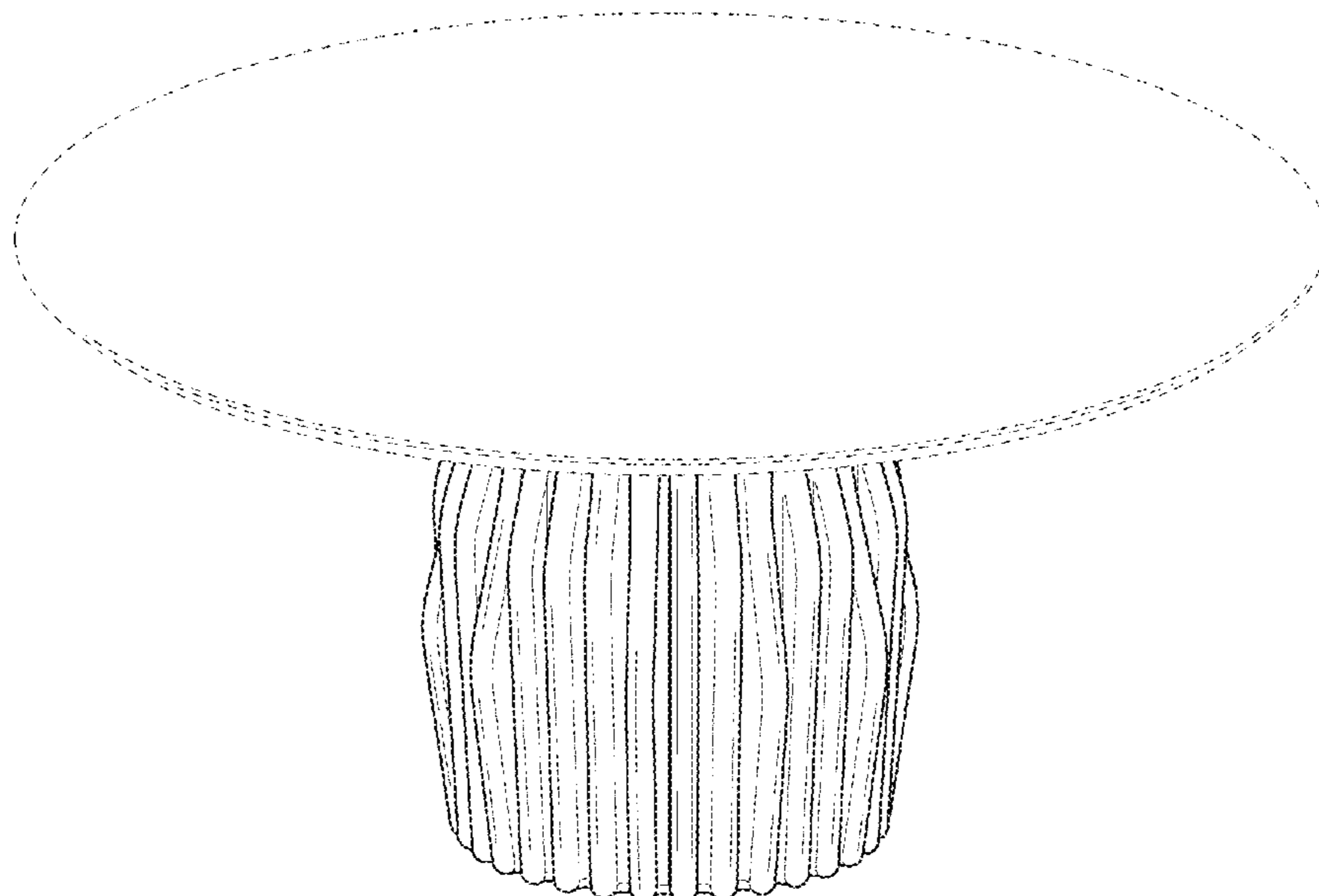
*Primary Examiner* — Mary Ann Calabrese  
(74) *Attorney, Agent, or Firm* — The Belles Group, P.C.

(57) **CLAIM**  
The ornamental design for a table, as shown and described.

**DESCRIPTION**

FIG. 1 is a front perspective view of a table according to a first embodiment of the new design;  
FIG. 2 is a rear perspective view thereof;  
FIG. 3 is a front view thereof, the rear view being identical to the front view;  
FIG. 4 is a right side view thereof;  
FIG. 5 is a left side view thereof;  
FIG. 6 is a top view thereof;  
FIG. 7 is a bottom view thereof;  
FIG. 8 is a front perspective view of a table according to a second embodiment of the new design;  
FIG. 9 is a rear perspective view thereof;  
FIG. 10 is a front view thereof;  
FIG. 11 is a right side view thereof;  
FIG. 12 is a rear view thereof;  
FIG. 13 is a left side view thereof;  
FIG. 14 is a top view thereof; and,  
FIG. 15 is a bottom view thereof.  
The broken lines in the drawings illustrate portions of the table that form no part of the claimed design.

**1 Claim, 15 Drawing Sheets**



(56)

**References Cited**

U.S. PATENT DOCUMENTS

D917,904 S \* 5/2021 Li ..... D6/352  
2008/0115702 A1\* 5/2008 Wang ..... A47B 85/06  
108/161

OTHER PUBLICATIONS

Duomo Dining Table—HomeThreads [https://www.homethreads.com/products/furniture/dining-tables/101360-duomo-dining-table-51.5?gclid=](https://www.homethreads.com/products/furniture/dining-tables/101360-duomo-dining-table-51.5?gclid=EAIaIQobChMImbG6z7jy8QIVxMizCh1zWwDrEAQYECABEgJkh_D_BwE)

EAIaIQobChMImbG6z7jy8QIVxMizCh1zWwDrEAQYECABEgJkh\_D\_BwE

retrieved from the internet on Jul. 20, 2021.\*  
Doris Round Pedestal Dining Table—1stDIBS [https://www.1stdibs.com/furniture/tables/dining-room-tables/doris-round-pedestal-dining-table-pink-marble-cast-bronze/id-f\\_15212112/](https://www.1stdibs.com/furniture/tables/dining-room-tables/doris-round-pedestal-dining-table-pink-marble-cast-bronze/id-f_15212112/) retrieved from the internet on Jul. 20, 2021.\*

Holly Hunt website, <https://www.hollyhunt.com/ShowProduct.aspx?ProductID=6122&ManufacturerID=1>, retrieved Dec. 12, 2019, pp. 1.

Holly Hunt website, <https://www.hollyhunt.com/ShowProduct.aspx?ProductID=24901&ManufacturerID=1>, retrieved Dec. 12, 2019, pp. 1.

Holly Hunt website, <https://www.hollyhunt.com/ShowProduct.aspx?ProductID=7672&ManufacturerID=1>, retrieved Dec. 12, 2019, pp. 1.

Holly Hunt website, <https://www.hollyhunt.com/ShowProduct.aspx?ProductID=11500&ManufacturerID=1>, retrieved Dec. 12, 2019, pp. 1.

Serena & Lily website, [https://www.serenaandlily.com/cabrillo-side-table/215620.html?utm\\_source=adlucent&utm\\_medium=cpc&utm\\_campaign=adlucent&gclid=Cj0KCQiAiZPvBRDZARIsAORkq7fOd7RPe8DLKfEPA2fkvIdFIsfsIk4O7UZ27\\_CR\\_qye6EqYnmjBWUaAIXXEALw\\_wcB#fo\\_c=745&fo\\_k=35353e154272282eaaa989808c24dd9c&fo\\_s=adlucent](https://www.serenaandlily.com/cabrillo-side-table/215620.html?utm_source=adlucent&utm_medium=cpc&utm_campaign=adlucent&gclid=Cj0KCQiAiZPvBRDZARIsAORkq7fOd7RPe8DLKfEPA2fkvIdFIsfsIk4O7UZ27_CR_qye6EqYnmjBWUaAIXXEALw_wcB#fo_c=745&fo_k=35353e154272282eaaa989808c24dd9c&fo_s=adlucent), retrieved Dec. 12, 2019, pp. 1.

healthdept.me website, <http://www.healthdept.me/rustic-round-side-table/view/b7de6/shop-decorative-rustic-liberte-round-side-table-free/>, retrieved Dec. 12, 2019, pp. 1-5.

\* cited by examiner

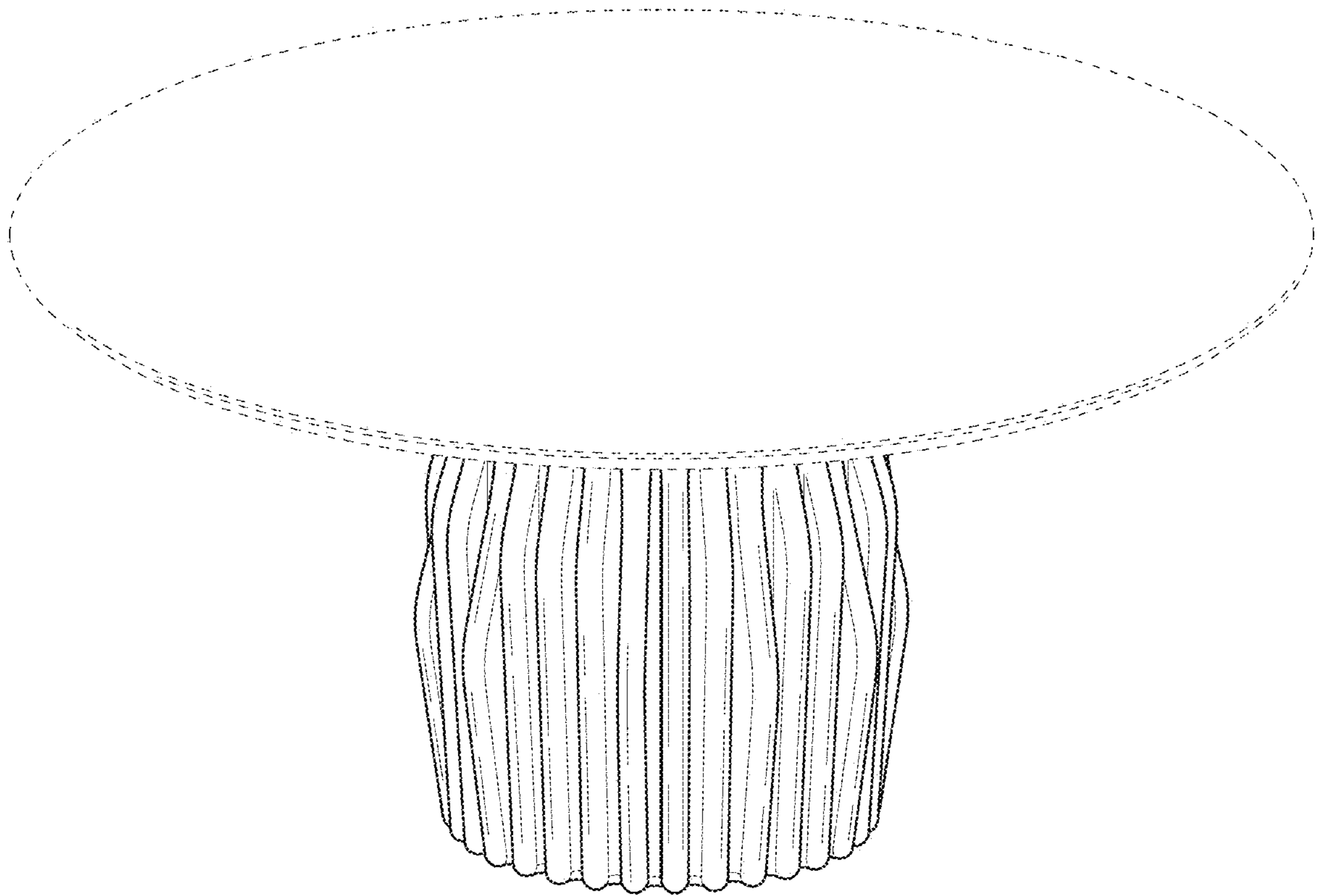


FIG. 1

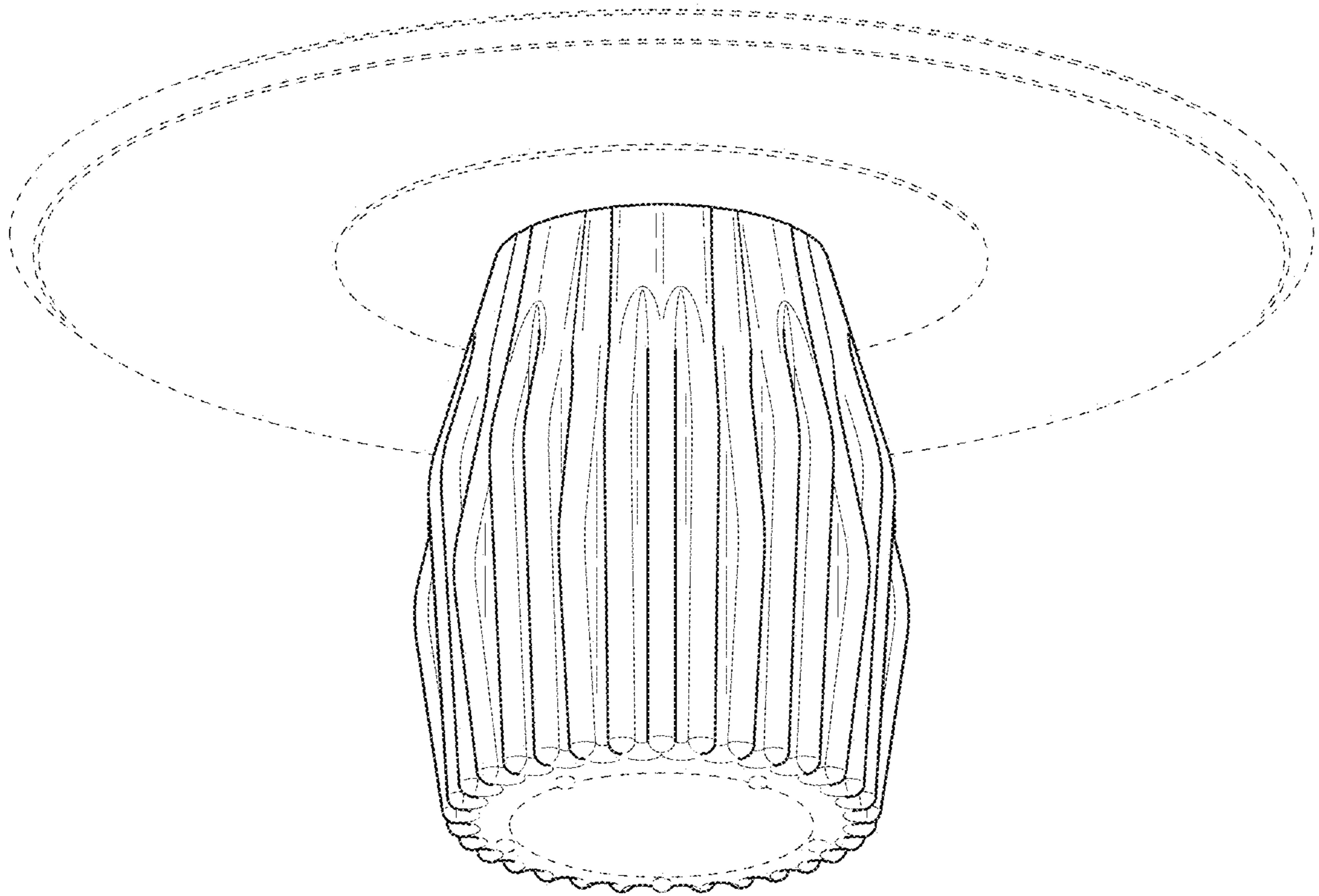


FIG. 2

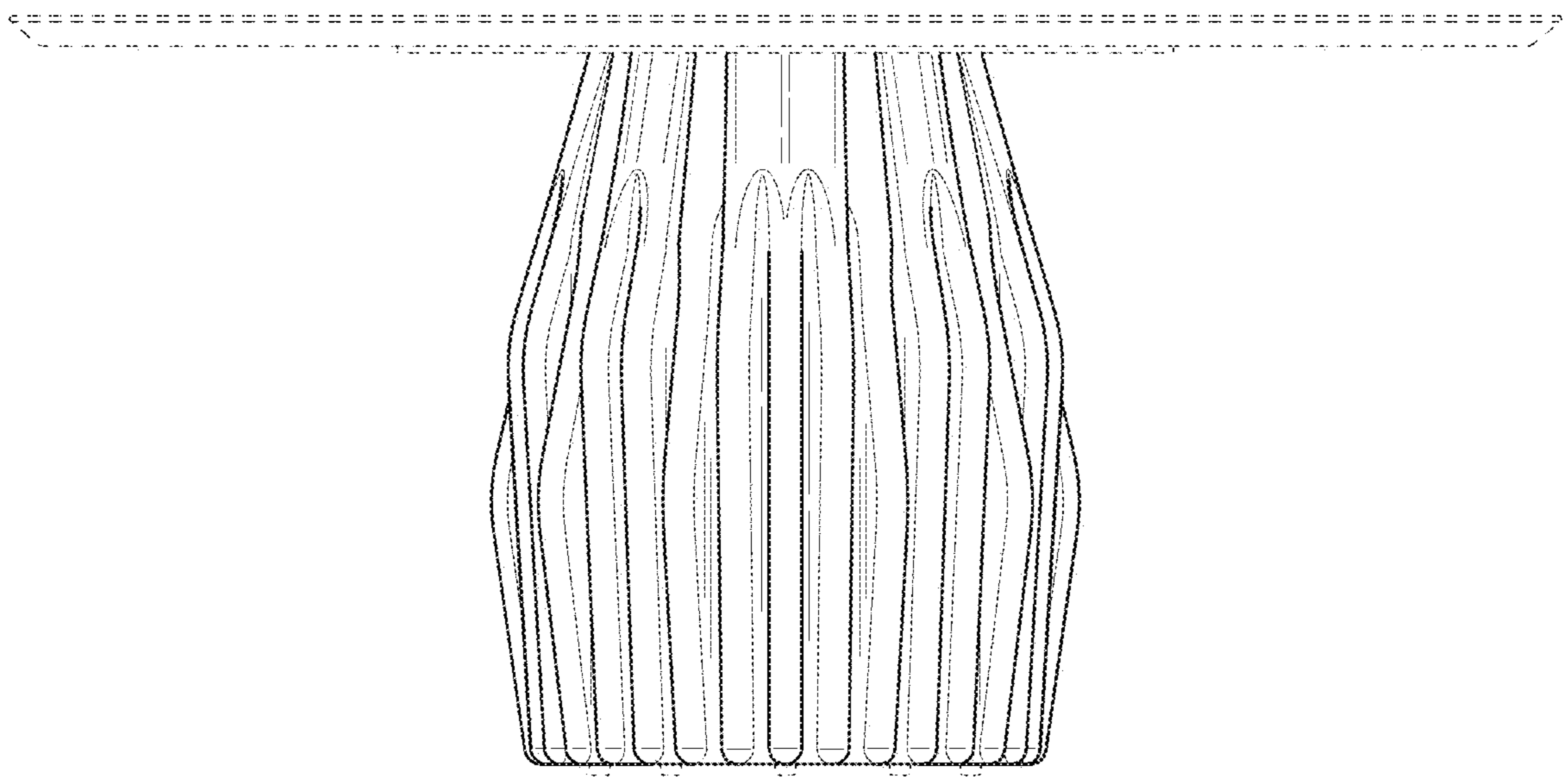


FIG. 3

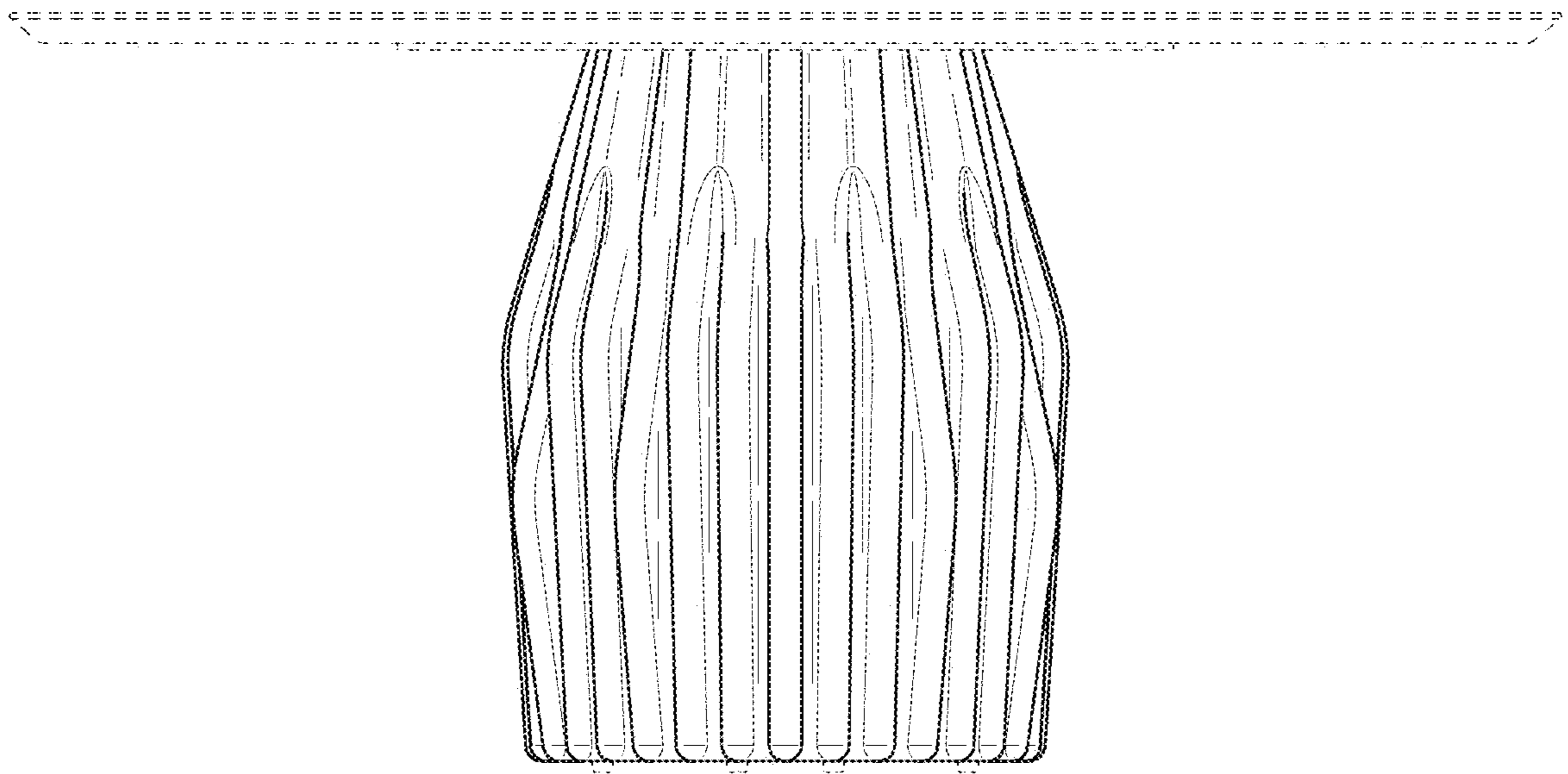


FIG. 4

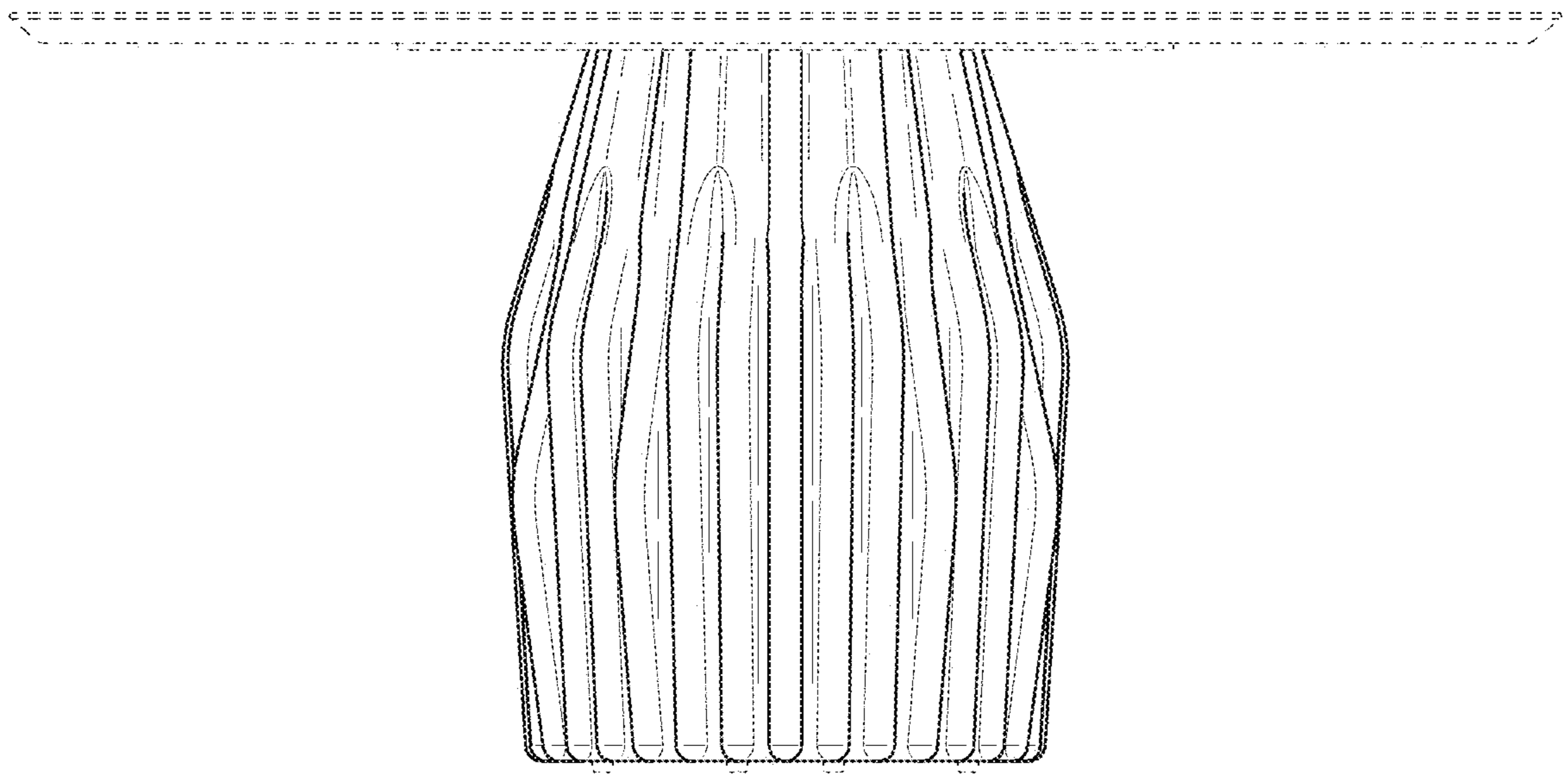


FIG. 5

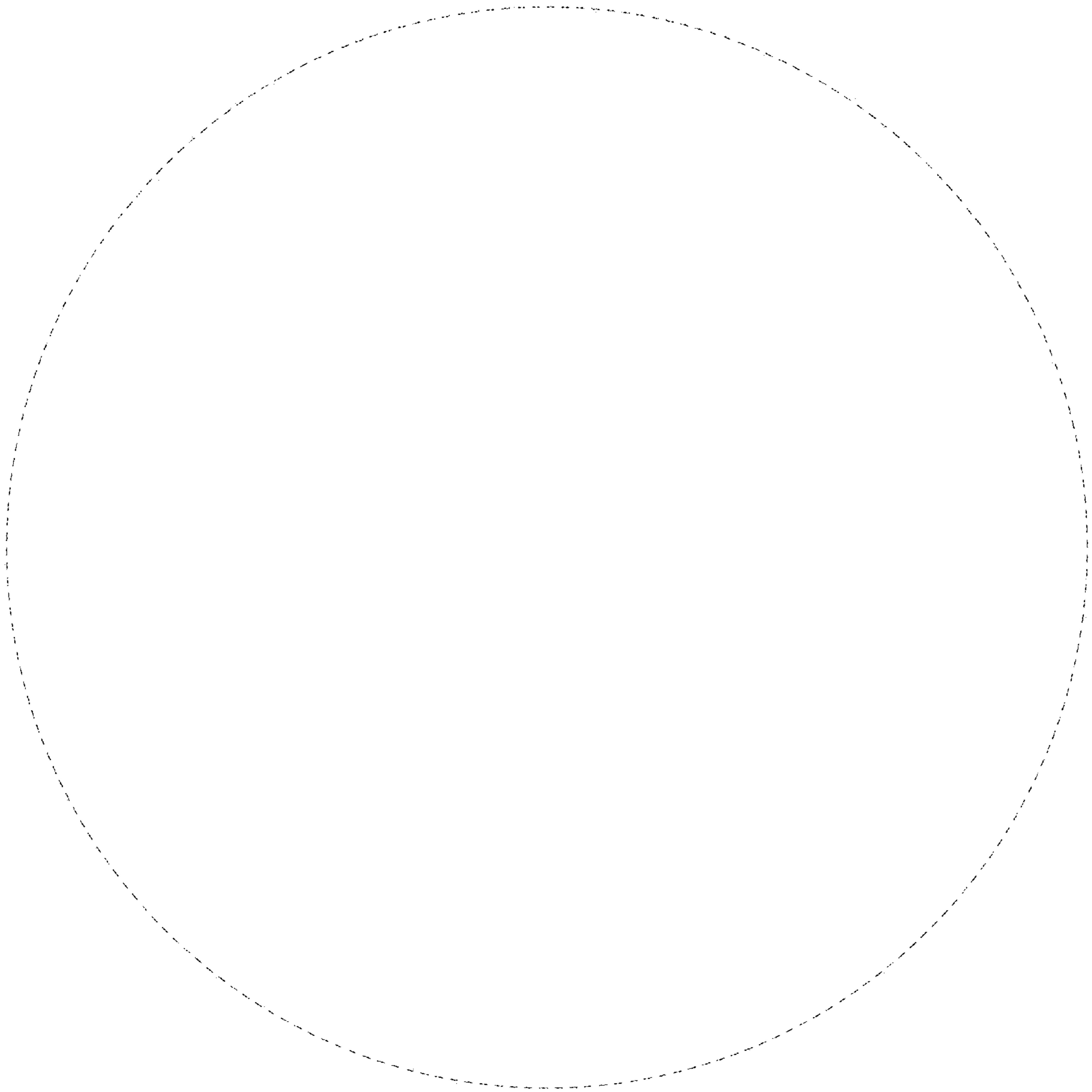


FIG. 6



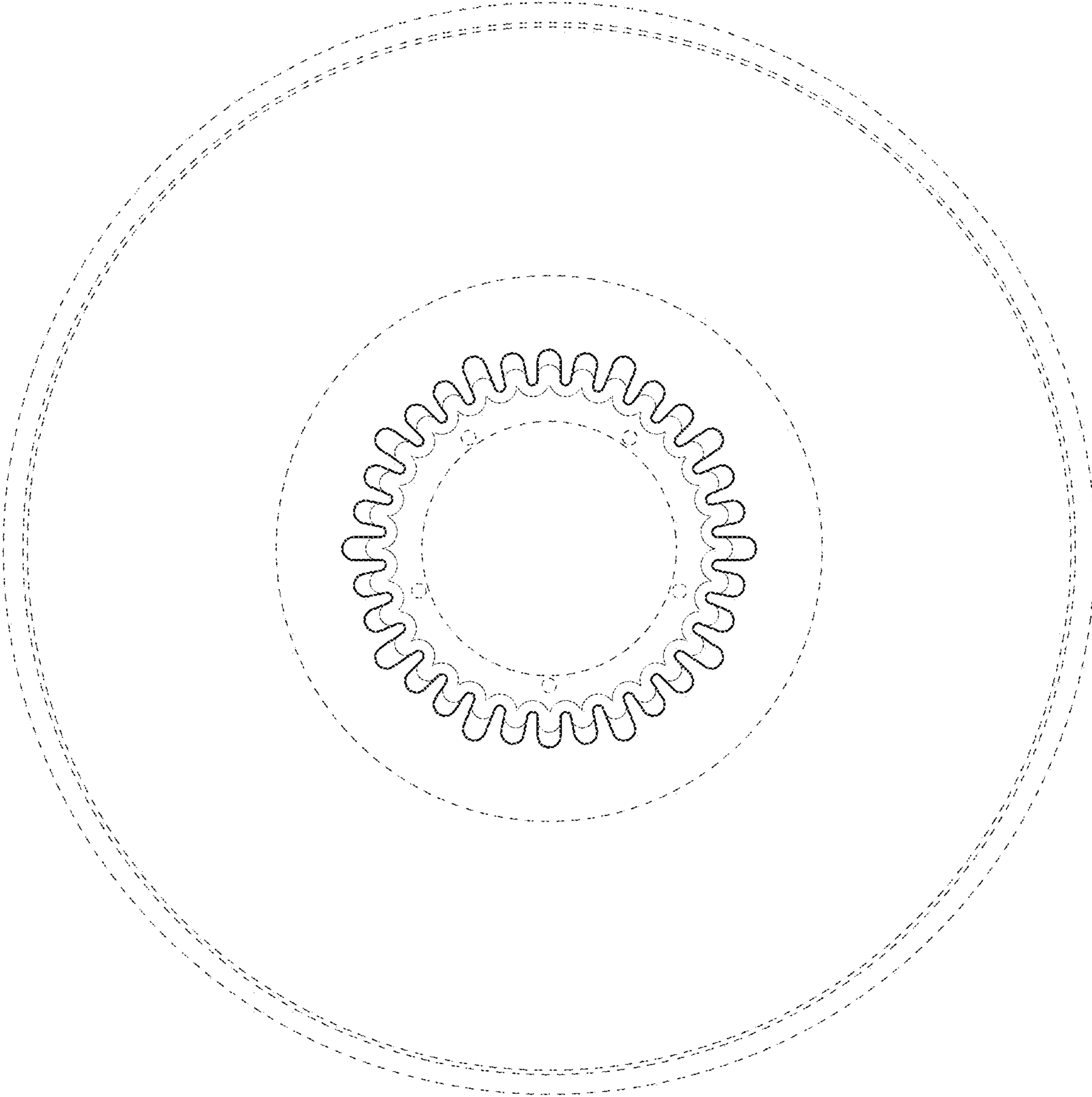


FIG. 7

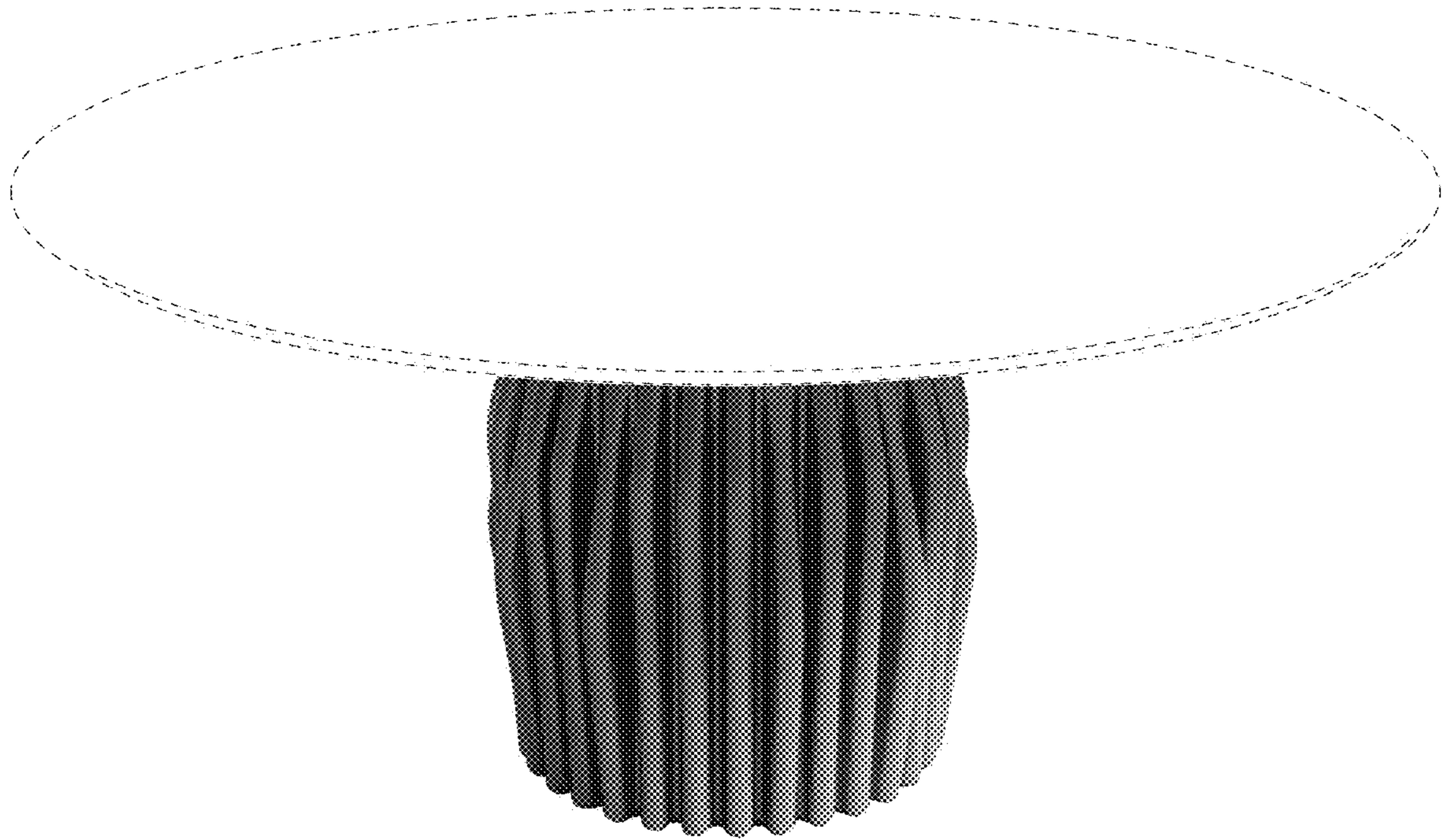


FIG. 8

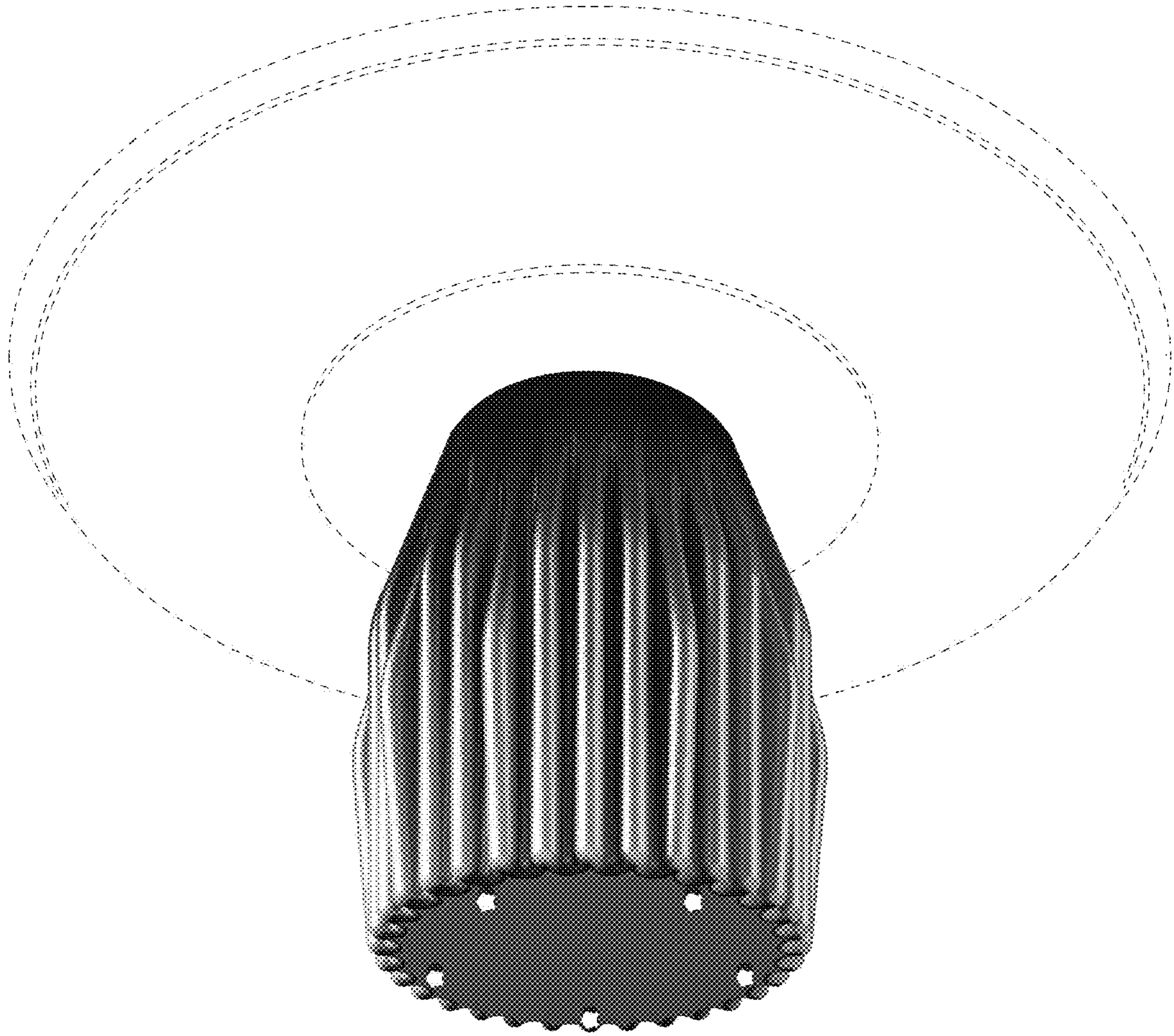


FIG. 9

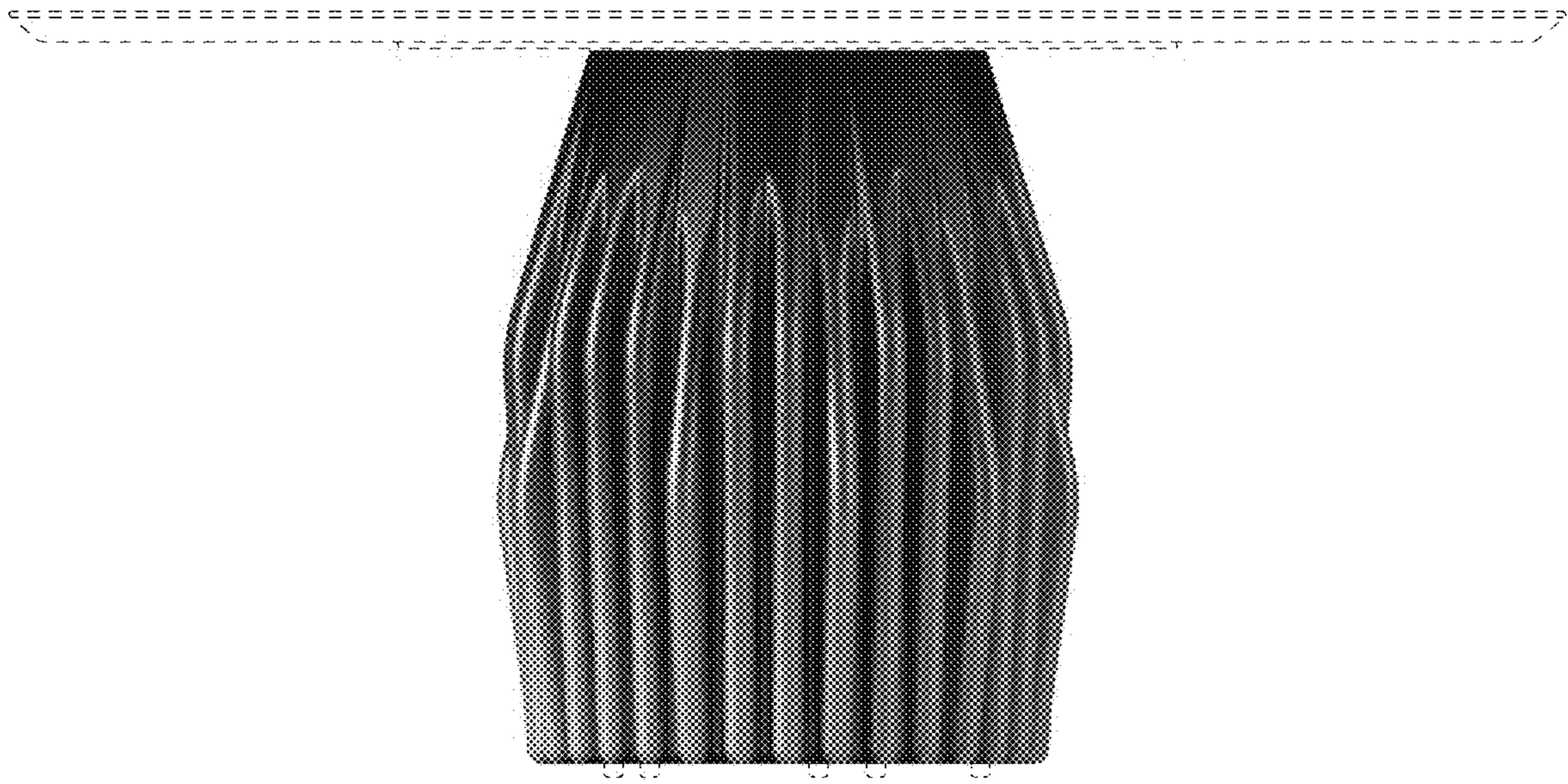


FIG. 10



FIG. 11

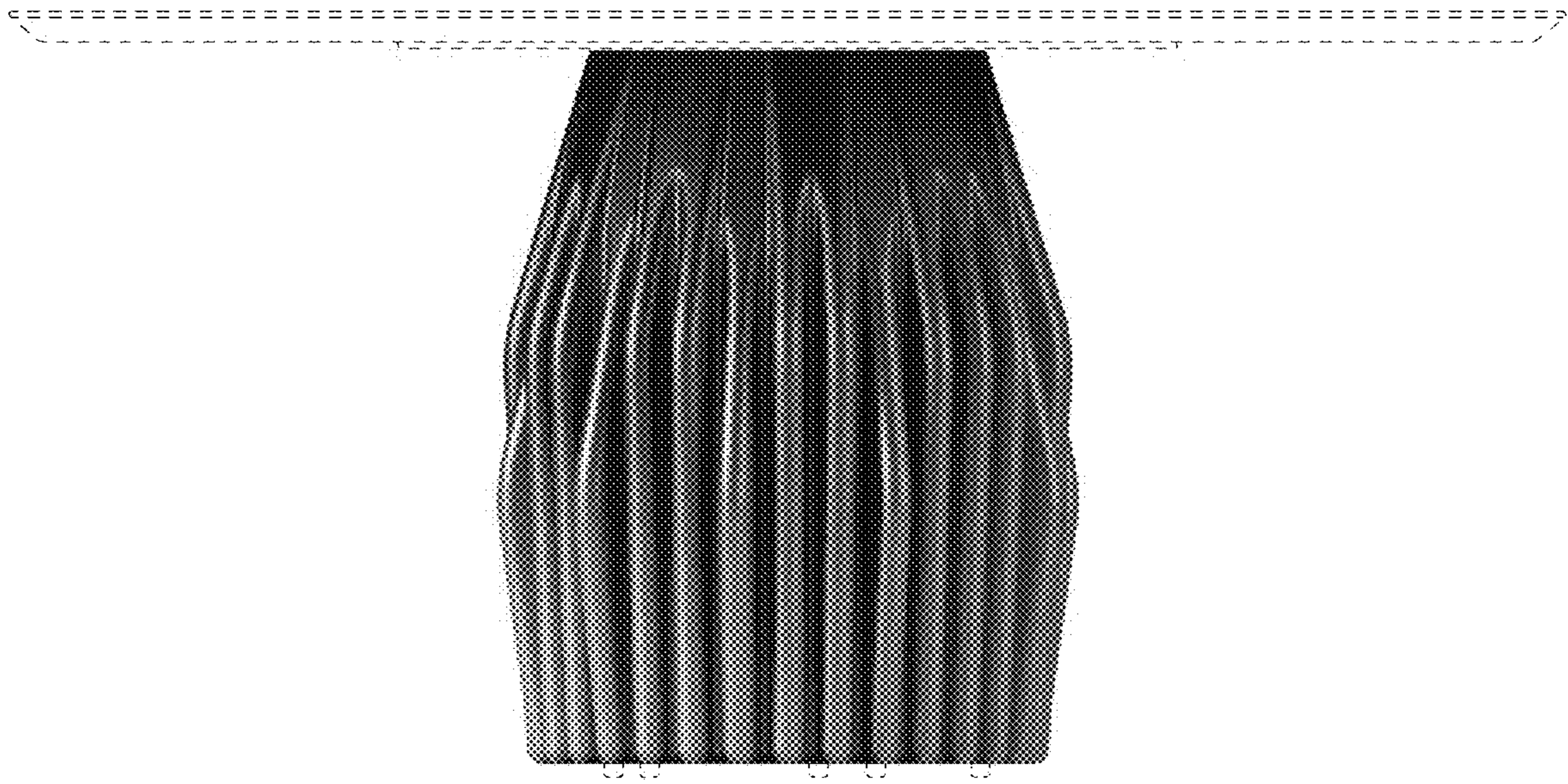


FIG. 12

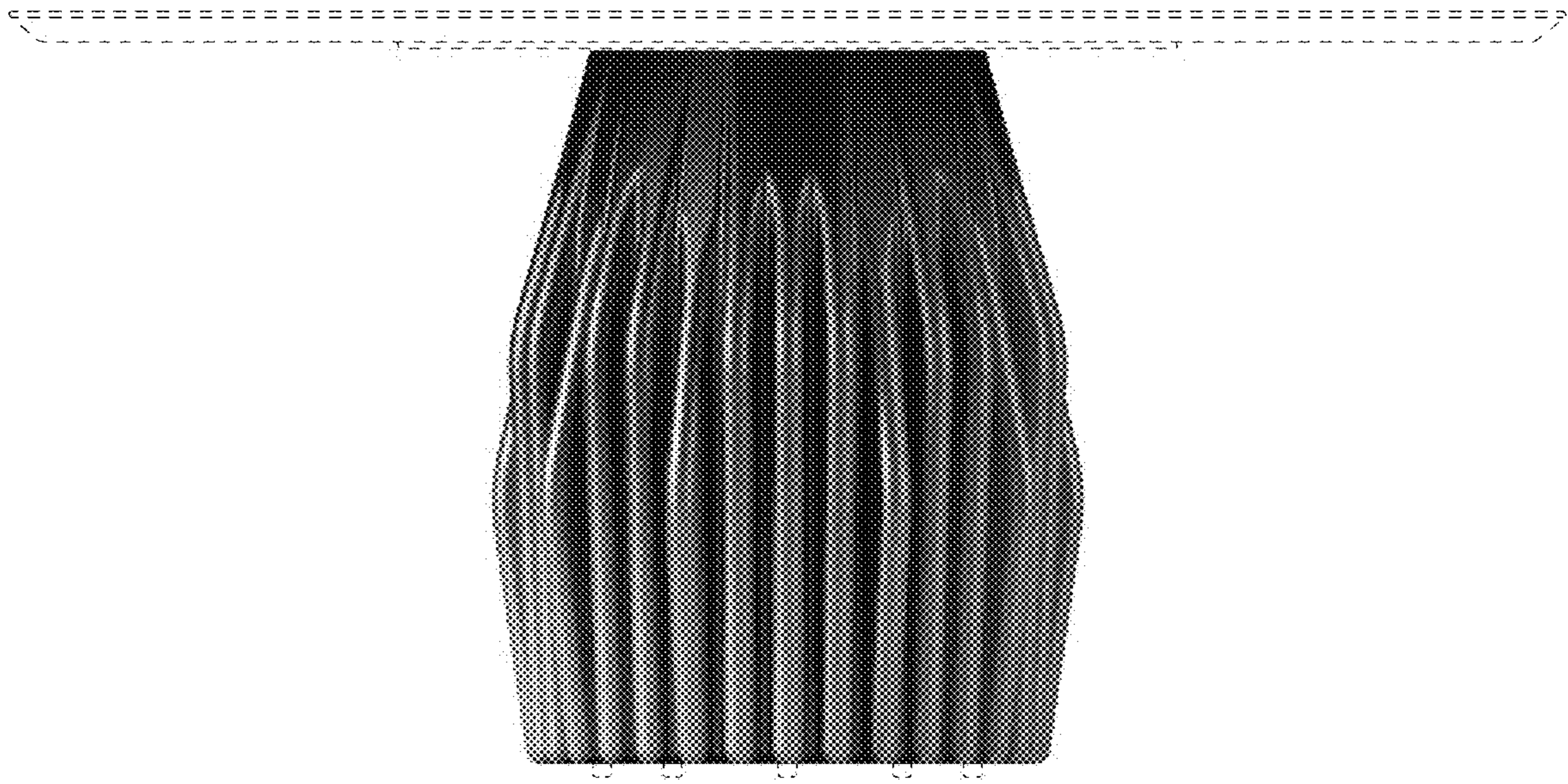


FIG. 13

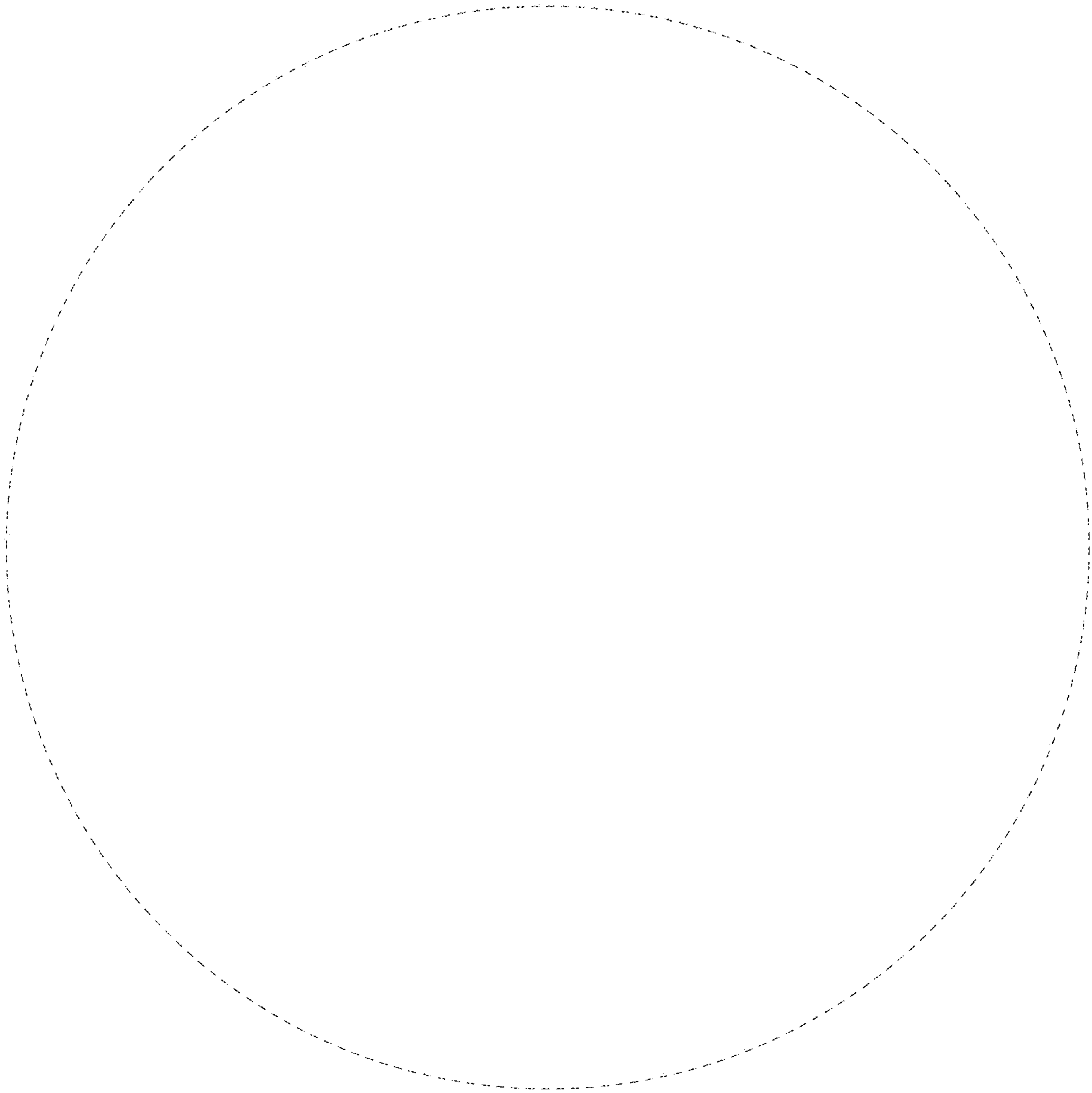


FIG. 14



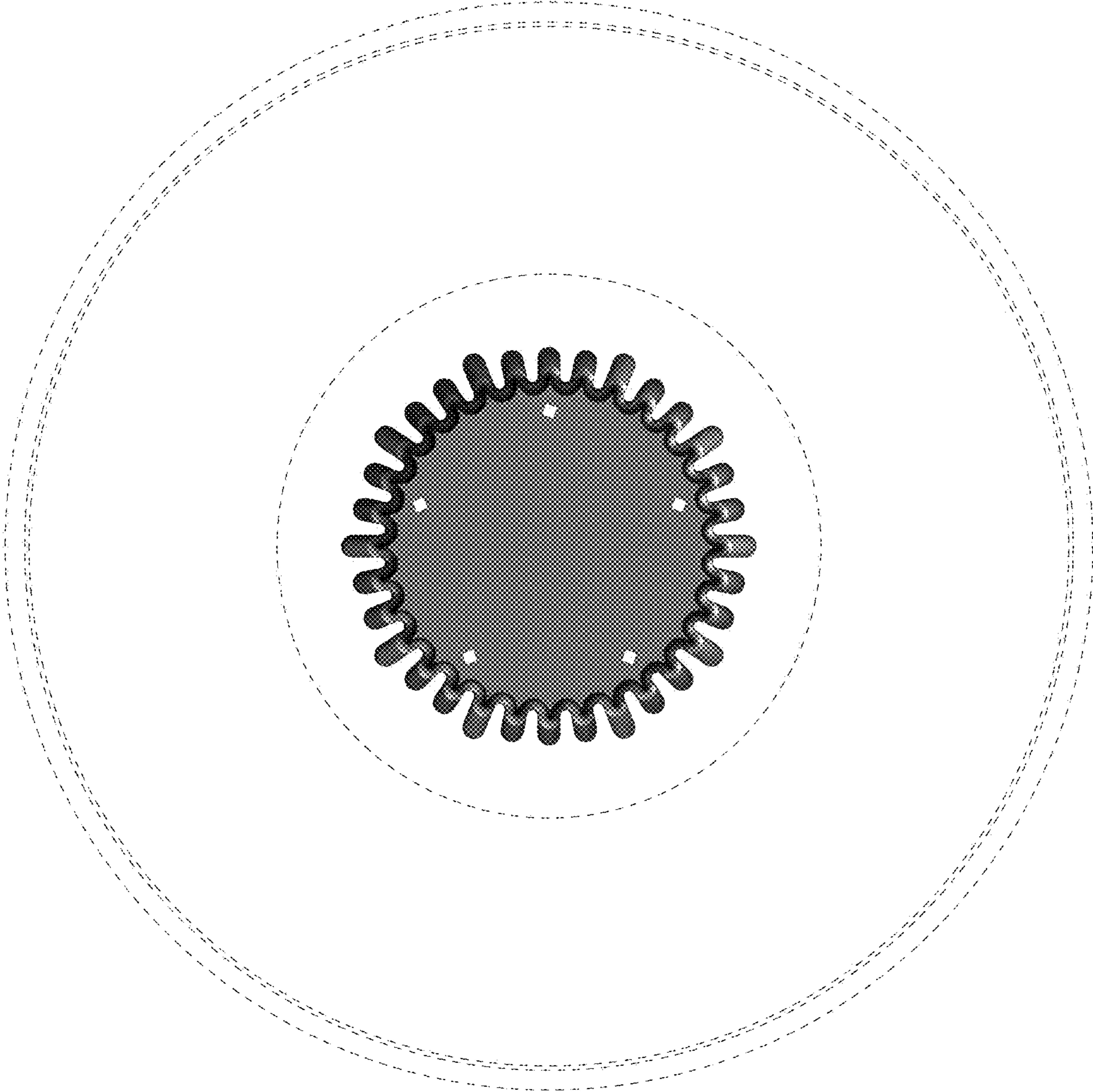


FIG. 15