



US00D941618S

(12) **United States Design Patent**
Zhang

(10) **Patent No.:** **US D941,618 S**

(45) **Date of Patent:** **** Jan. 25, 2022**

- (54) **DISPLAY STAND**
- (71) Applicant: **Shenzhen Prime Technology Co., Ltd,**
Shenzhen (CN)
- (72) Inventor: **Yuanming Zhang,** Shenzhen (CN)
- (**) Term: **15 Years**
- (21) Appl. No.: **29/753,096**
- (22) Filed: **Sep. 30, 2020**
- (51) **LOC (13) Cl.** **20-02**
- (52) **U.S. Cl.**
USPC **D6/672**
- (58) **Field of Classification Search**
USPC D6/335, 336, 349, 672, 673, 675, 683.1,
D6/686
CPC .. A47F 3/06; A47F 5/00; A47F 5/0018; A47F
5/0043; A47F 5/0081; A47F 5/10; A47F
5/108; A47F 5/16; A47F 7/0021; A47F
7/19
See application file for complete search history.

6,655,083	B2 *	12/2003	Reed	A01G 9/024 47/67
D485,094	S	1/2004	Chang et al.		
6,752,281	B1 *	6/2004	Mason	A47F 5/0018 211/131.1
D591,083	S *	4/2009	Singler	D6/672
D591,979	S *	5/2009	Singler	D6/672
D607,232	S *	1/2010	Bojie	D6/672
D624,335	S *	9/2010	Lutz	D6/349
D642,821	S *	8/2011	Fowler	D6/391
D657,978	S	4/2012	Hamm et al.		
D688,494	S *	8/2013	Hamm	D6/672
D694,557	S *	12/2013	Rodgers	D6/675
D694,558	S *	12/2013	Denby	D6/675.1
D706,544	S *	6/2014	Morrison	D6/349
D707,993	S *	7/2014	Grigonis, Jr.	D6/675.3
8,839,553	B2 *	9/2014	Toro	A01G 9/02 47/39

(Continued)

Primary Examiner — Steven J Czyz

(74) *Attorney, Agent, or Firm* — W&KIP

(57) **CLAIM**

The ornamental design for a display stand, as shown and described.

(56) **References Cited**

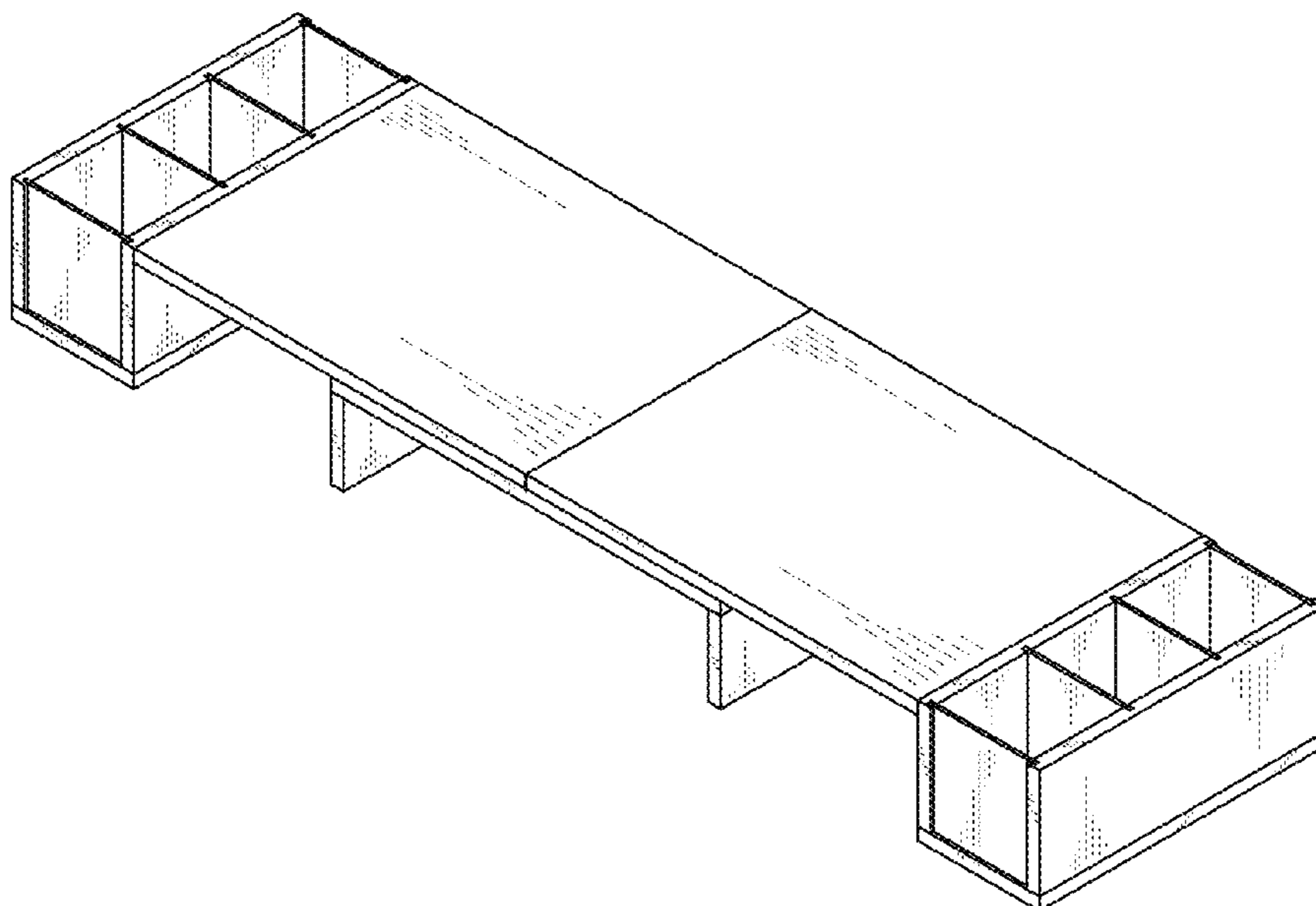
U.S. PATENT DOCUMENTS

D170,614	S *	10/1953	Thomson et al.	D6/349
D225,942	S *	1/1973	Anderson et al.	D6/673
D231,587	S *	5/1974	Herrera et al.	D6/336
D233,293	S *	10/1974	Rosen et al.	D6/691.3
D327,384	S *	6/1992	Agam	D6/672
D337,439	S *	7/1993	Scott, Jr	D6/336
D355,774	S *	2/1995	Proserpio	D6/335
D357,364	S *	4/1995	Dionne	D6/335
D360,766	S *	8/1995	Sacchi Lodispoto	D6/336
D367,967	S *	3/1996	Calmeise	D6/336
D377,463	S *	1/1997	Cressall	D12/98
D395,574	S *	6/1998	Pope	D6/683.1
D406,964	S *	3/1999	Lewis	D6/690
D451,305	S *	12/2001	Chang	D6/672
D479,924	S *	9/2003	Bates	D6/680

DESCRIPTION

- FIG. 1 is a perspective view of a display stand showing my new design;
- FIG. 2 is a perspective view of a display stand in an extended state;
- FIG. 3 is a perspective view of a display stand in a bended state;
- FIG. 4 is a front view thereof;
- FIG. 5 is a rear view thereof;
- FIG. 6 is a left side view thereof;
- FIG. 7 is a right side view thereof;
- FIG. 8 is a top plan view thereof; and,
- FIG. 9 is a bottom plan view thereof.

1 Claim, 9 Drawing Sheets



(56)

References Cited

U.S. PATENT DOCUMENTS

8,967,399 B2 * 3/2015 Hawkins A47F 5/0018
 211/126.2
 D728,281 S * 5/2015 Heirakuji D6/675
 D741,628 S * 10/2015 Held D6/675
 D746,618 S * 1/2016 Clark D6/675.3
 D753,418 S * 4/2016 Hsu D6/675
 D753,419 S * 4/2016 Heirakuji D6/675
 D763,016 S * 8/2016 Clark D6/675
 D765,450 S * 9/2016 Biddle D6/691
 D769,035 S * 10/2016 Williams D6/683.1
 D785,956 S * 5/2017 Stricklin D6/349
 D793,776 S * 8/2017 Davis D6/675
 D794,983 S * 8/2017 Peota D6/675.1
 D810,482 S * 2/2018 Modlin D6/691
 D811,784 S * 3/2018 Sartain D6/684
 D831,391 S * 10/2018 Grupenhof D6/683.1
 10,306,997 B2 * 6/2019 Eizinas A47F 5/0062
 D855,358 S * 8/2019 Adler D6/644
 D866,228 S * 11/2019 Pedersen D6/675.1
 D878,834 S * 3/2020 Johnson A47F 5/0025
 D6/683.1
 10,640,256 B2 * 5/2020 Lin A47F 5/005
 D889,887 S * 7/2020 DeJesus D6/675
 D891,828 S * 8/2020 Glaser D6/675
 D893,922 S * 8/2020 DeJesus D6/675
 D896,011 S * 9/2020 Velez A47F 5/005
 D6/691
 D904,806 S * 12/2020 Zhang D6/675
 D908,436 S * 1/2021 Lu D7/553.2
 D915,106 S * 4/2021 Lu D6/675.1
 D931,002 S * 9/2021 Lee D6/349

* cited by examiner

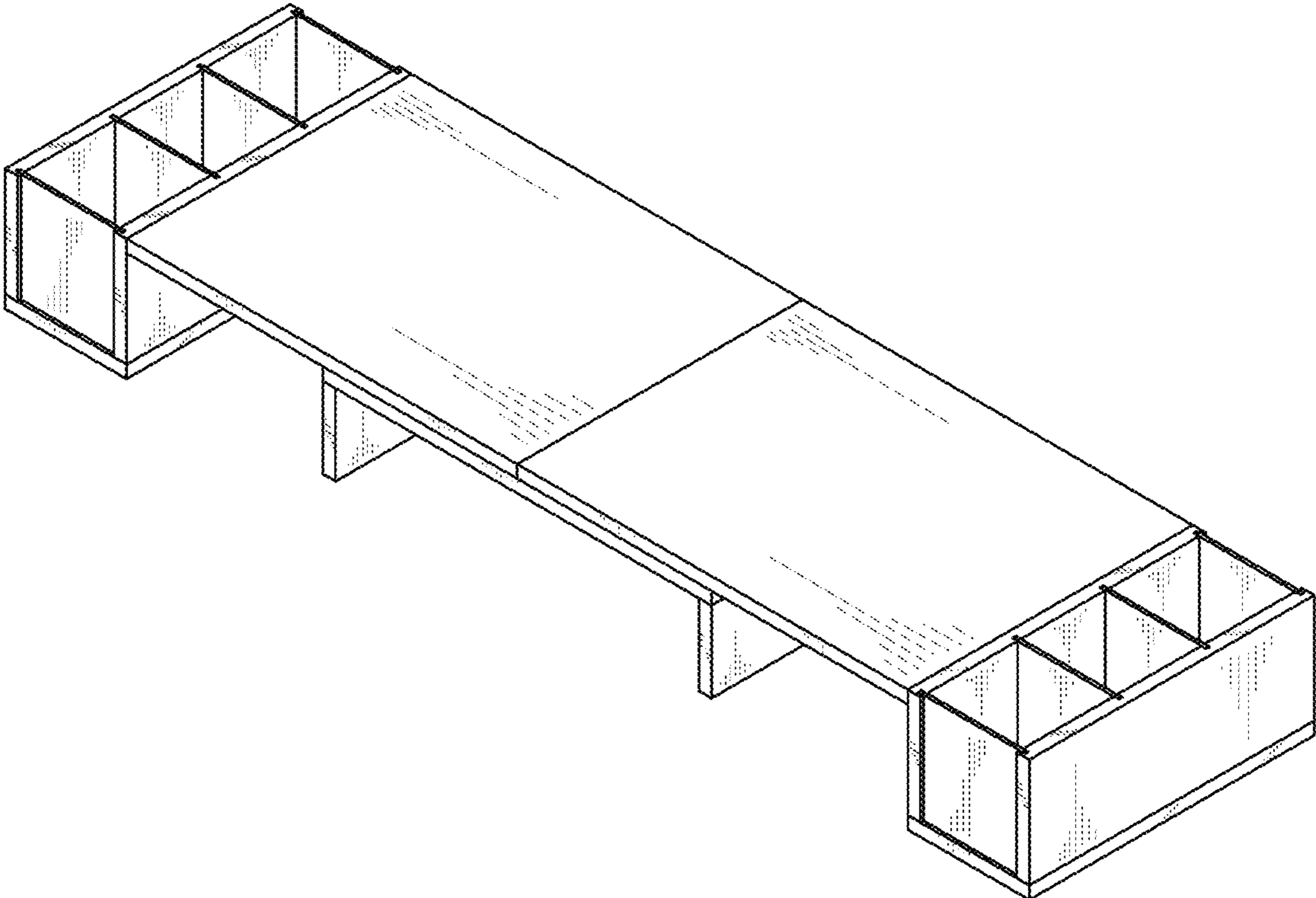


FIG.1

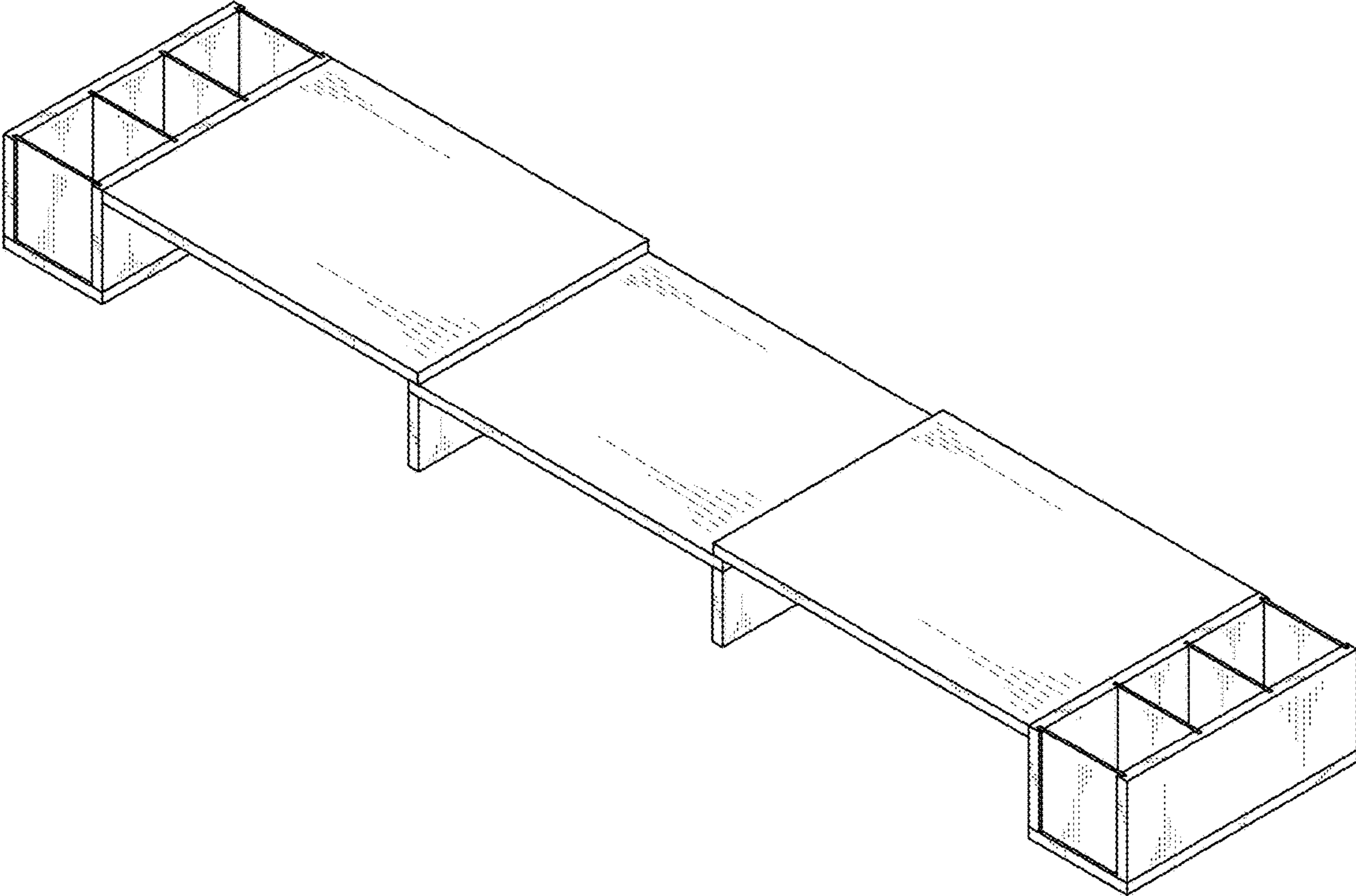


FIG.2

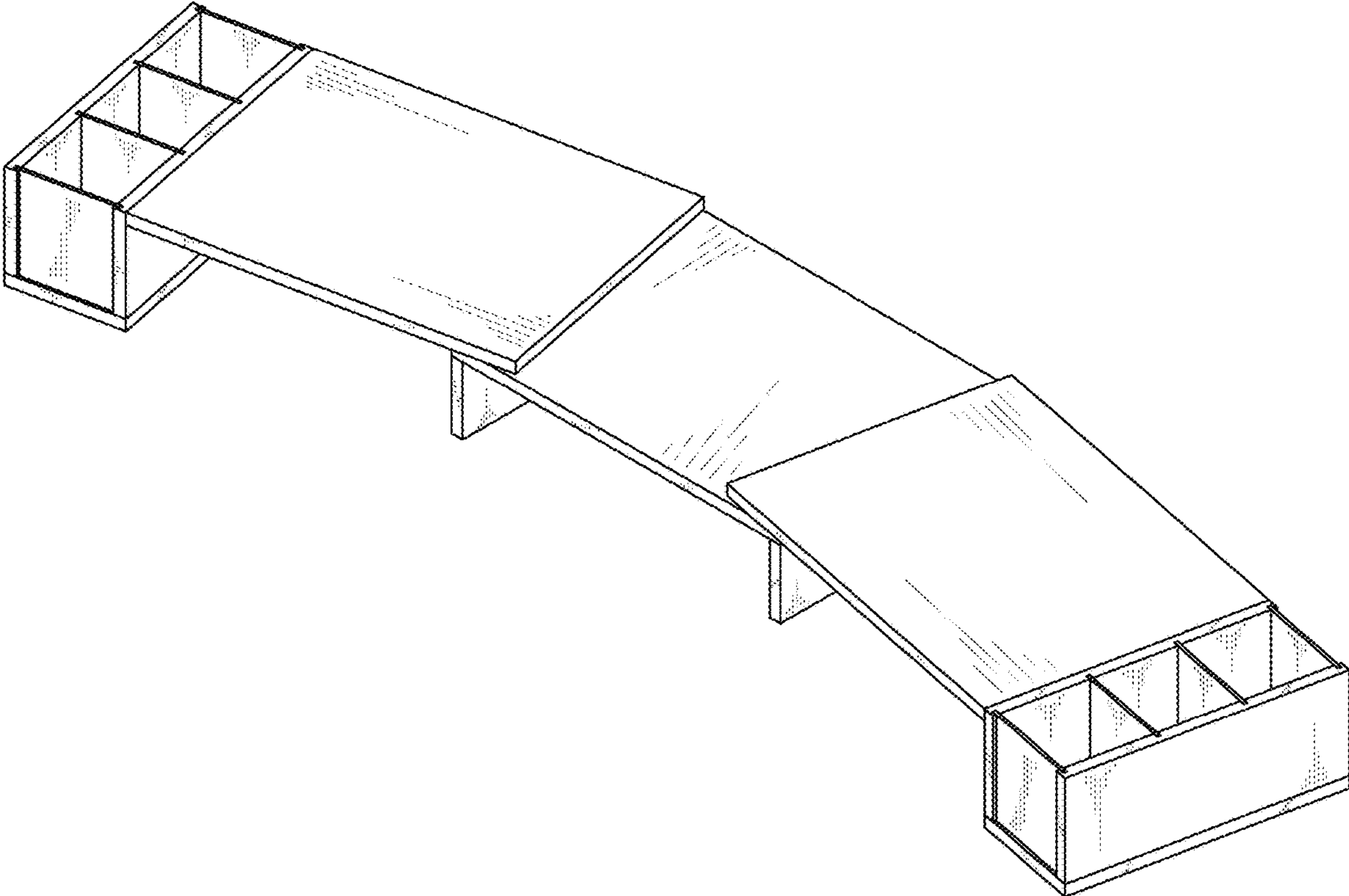


FIG.3

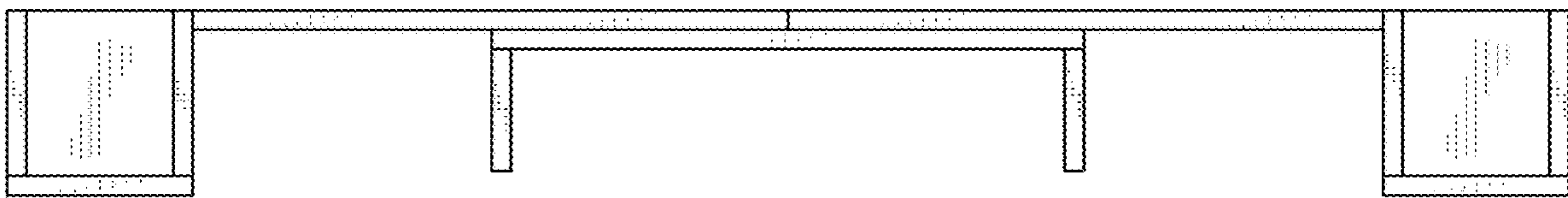


FIG. 4

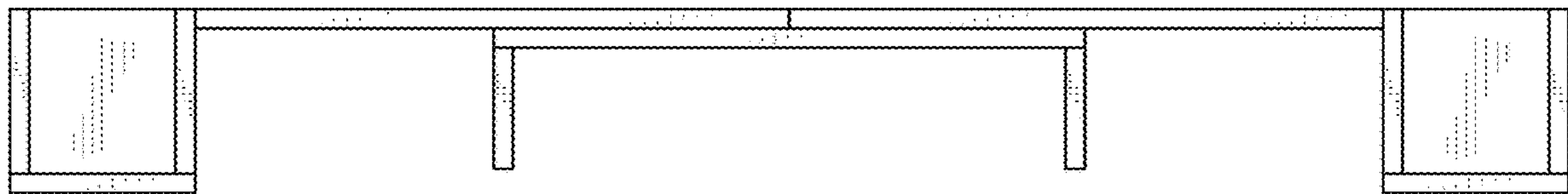


FIG. 5

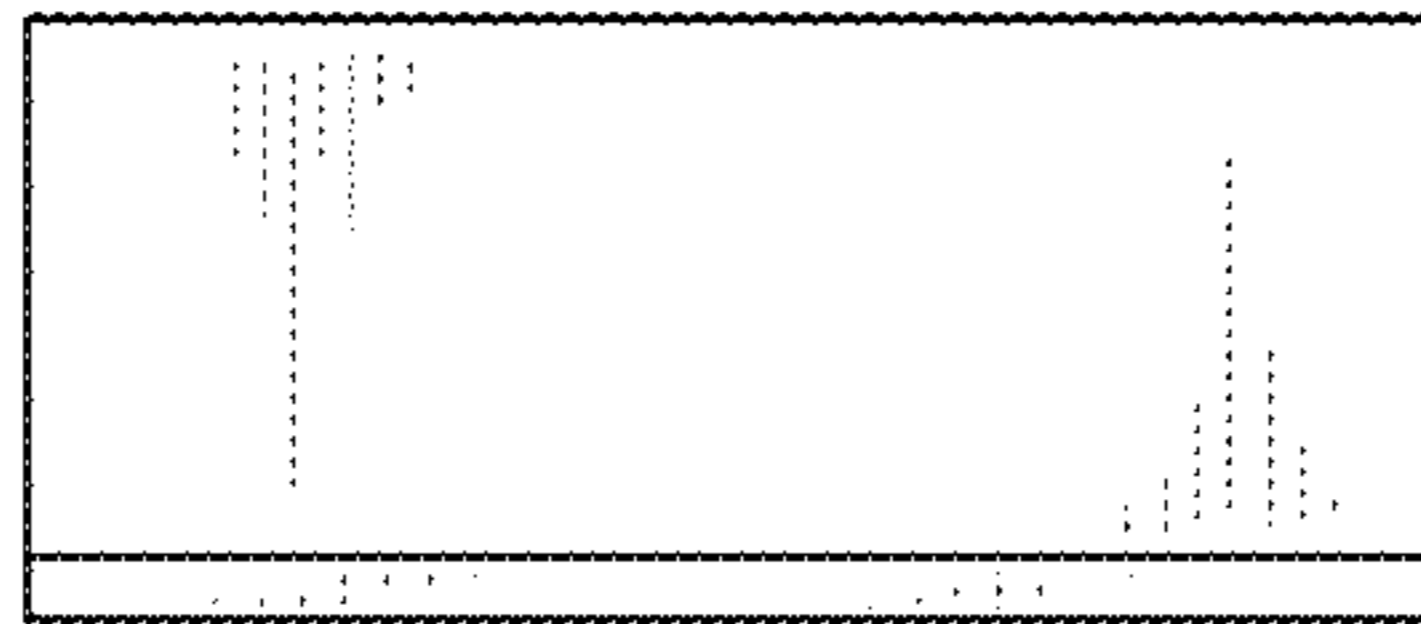


FIG.6

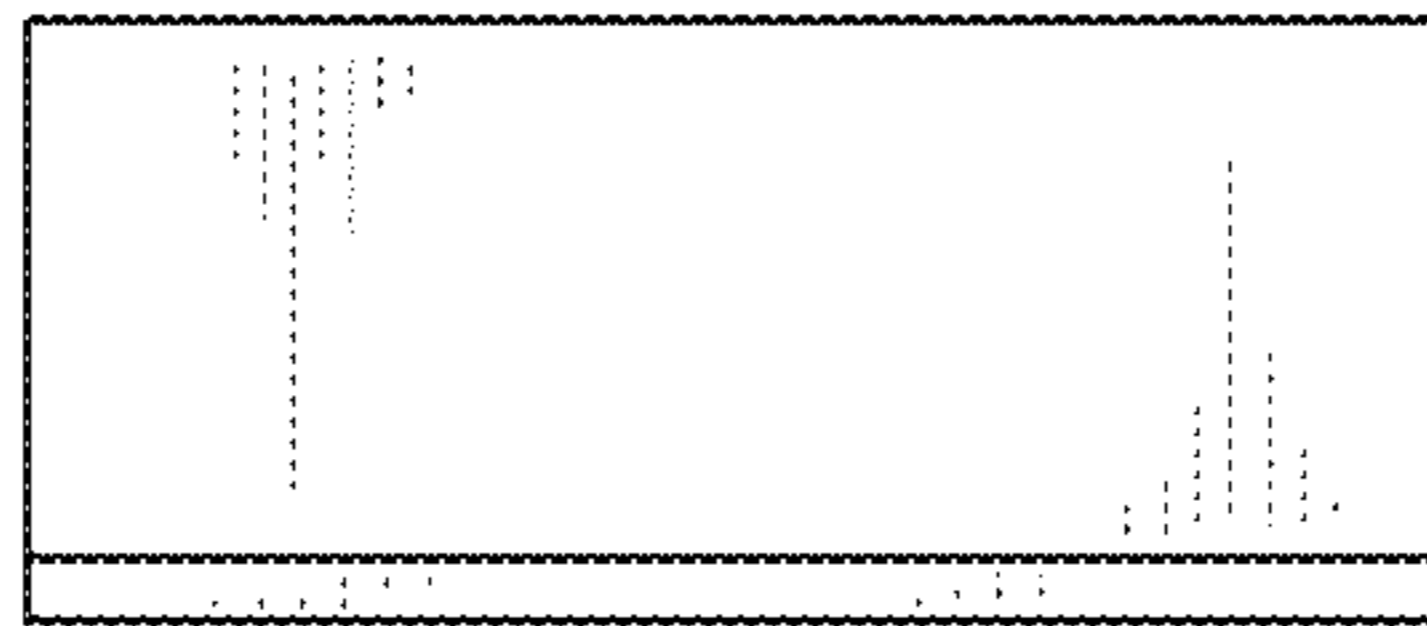


FIG. 7

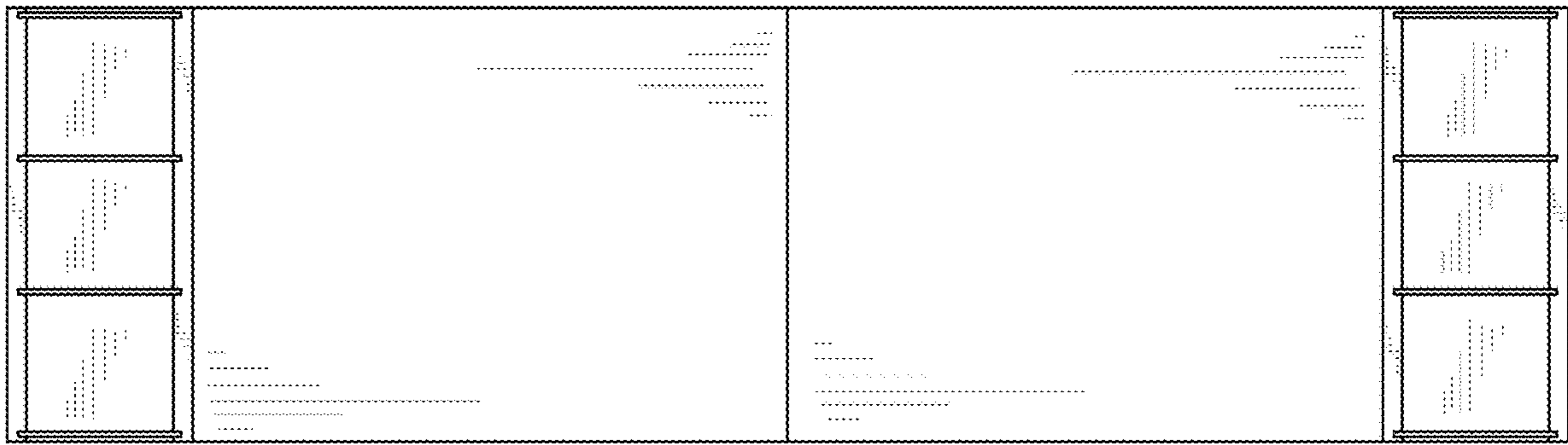


FIG. 8

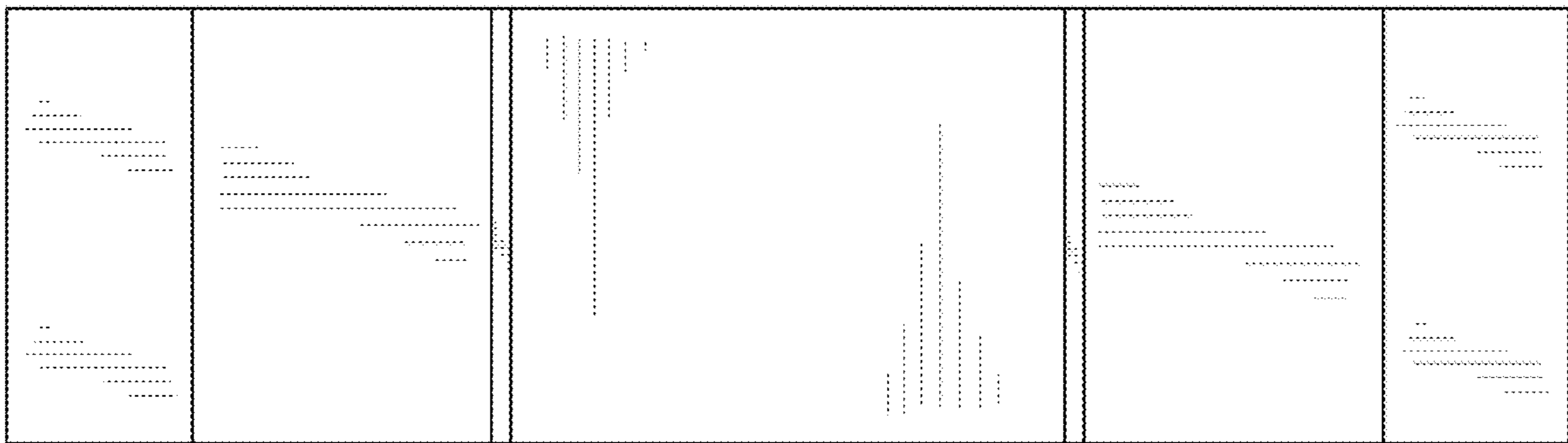


FIG. 9