



US00D941616S

(12) **United States Design Patent** (10) **Patent No.:** **US D941,616 S**
Song (45) **Date of Patent:** **** Jan. 25, 2022**

(54) **FILING CABINET**

OTHER PUBLICATIONS

(71) Applicant: **Zhengzhou Ziel Network Technology Co., Ltd.**, Zhengzhou (CN)
(72) Inventor: **Chuan Song**, Zhengzhou (CN)
(73) Assignee: **ZHENGZHOU ZIEL NETWORK TECHNOLOGY CO., LTD.**, Zhengzhou (CN)

“Offices to Go 3 Drawer File Pedestal.” Found online Jul. 28, 2021 at www.amazon.com. Product first available Mar. 14, 2011. Retrieved from URL: <https://www.amazon.com/Offices-Go-Drawer-Pedestal-American/dp/B0072STLZI?th=1> (Year: 2011).*
“DEVAISE 3-Drawer Slim Vertical File Cabinet.” Found online Jul. 28, 2021 at www.amazon.com. Product first available Sep. 18, 2017. Retrieved from URL: https://www.amazon.com/DEVAISE-3-Drawer-Mobile-Cabinet-Letter/dp/B075QBKFSO/ref=psdc_490883011_t1_B08R8P9BZH (Year: 2017).*
“EKSTERE 3 Drawers Mobile File Cabinet.” Found online Jul. 28, 2021 at www.amazon.com. Product first available Jul. 9, 2020. Retrieved from URL: <https://tinyurl.com/jjyuwwbz> (Year: 2020).*
“YITAHOME 3-Drawer Slim File Cabinet.” Found online Jul. 28, 2021 at www.amazon.com. Product first available Sep. 18, 2020. Retrieved from URL: <https://tinyurl.com/u92343hx> (Year: 2020).*

(**) Term: **15 Years**
(21) Appl. No.: **29/711,130**
(22) Filed: **Oct. 29, 2019**

(30) **Foreign Application Priority Data**

Aug. 26, 2019 (EP) 006768644-0004

(51) **LOC (13) Cl.** **06-04**
(52) **U.S. Cl.**
USPC **D6/671**

(58) **Field of Classification Search**
USPC ... D6/657, 661, 663, 664, 668.2, 671, 671.1
CPC ... A47B 2210/16; A47B 47/02; A47B 88/413;
A47B 88/944; B60B 33/00
See application file for complete search history.

* cited by examiner

Primary Examiner — Mary Ann Calabrese
Assistant Examiner — Katelin G Kloberg
(74) *Attorney, Agent, or Firm* — RatnerPrestia

(56) **References Cited**

U.S. PATENT DOCUMENTS

3,391,967 A * 7/1968 Schreyer E05B 65/462
312/317.1
4,889,396 A * 12/1989 Mitchell E05B 65/464
312/221
D328,824 S * 8/1992 Bellini 312/225
D461,067 S * 8/2002 Frank D6/671.1
D514,846 S * 2/2006 McDiarmid D6/671.1
D759,995 S * 6/2016 Miller D6/668.2
D813,574 S * 3/2018 Patton D6/671.1
D905,480 S * 12/2020 Bakker D6/671

(57) **CLAIM**

The ornamental design for a filing cabinet, as shown and described.

DESCRIPTION

FIG. 1 is a front perspective view of a filing cabinet, showing my new design;
FIG. 2 is a front elevation view thereof;
FIG. 3 is a left side elevation view thereof;
FIG. 4 is a right side elevation view thereof;
FIG. 5 is a rear elevation view thereof; and,
FIG. 6 is a top plan view thereof.
The broken lines depict portions of the filing cabinet that form no part of the claimed design.

1 Claim, 6 Drawing Sheets

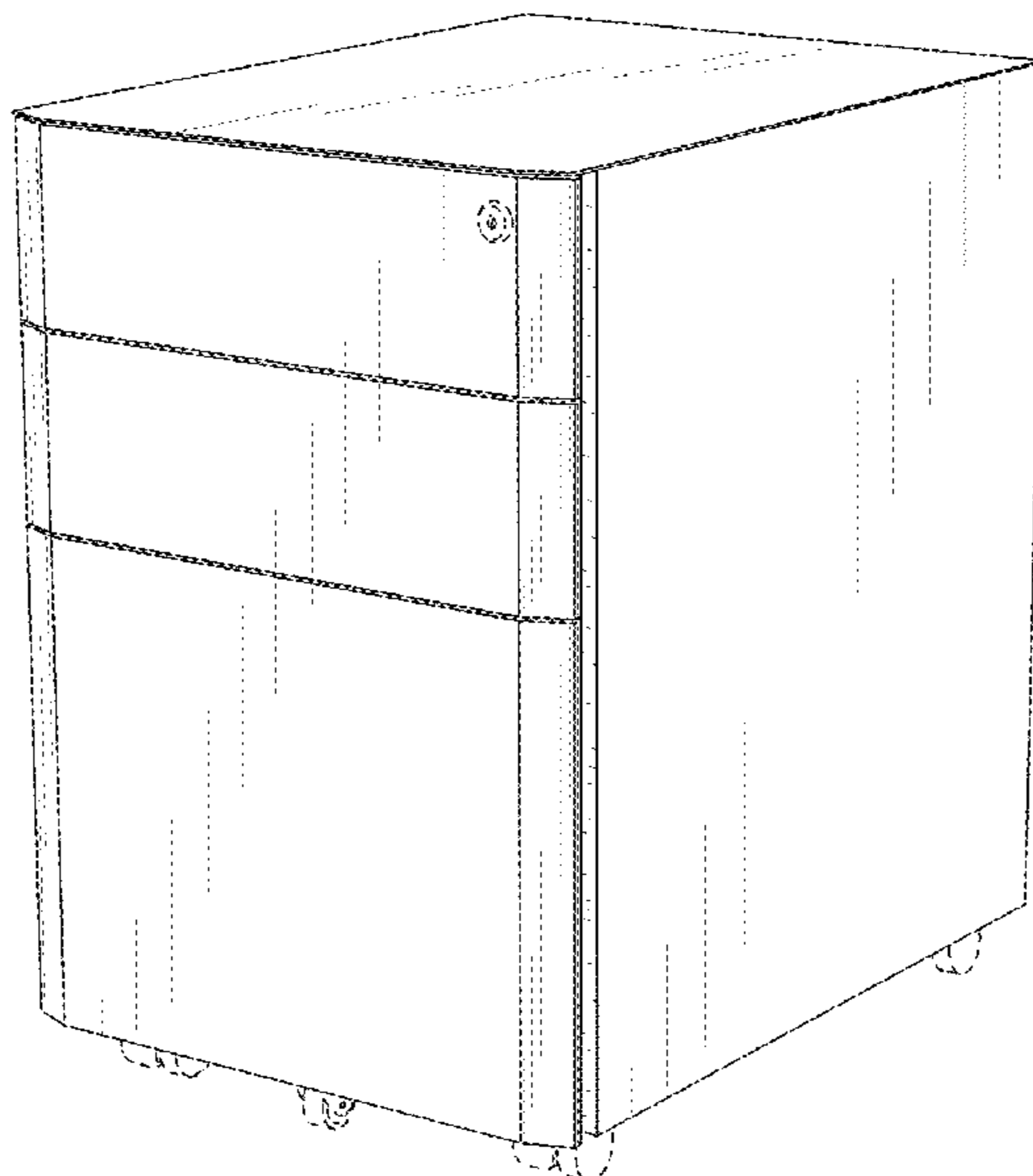


FIG. 1

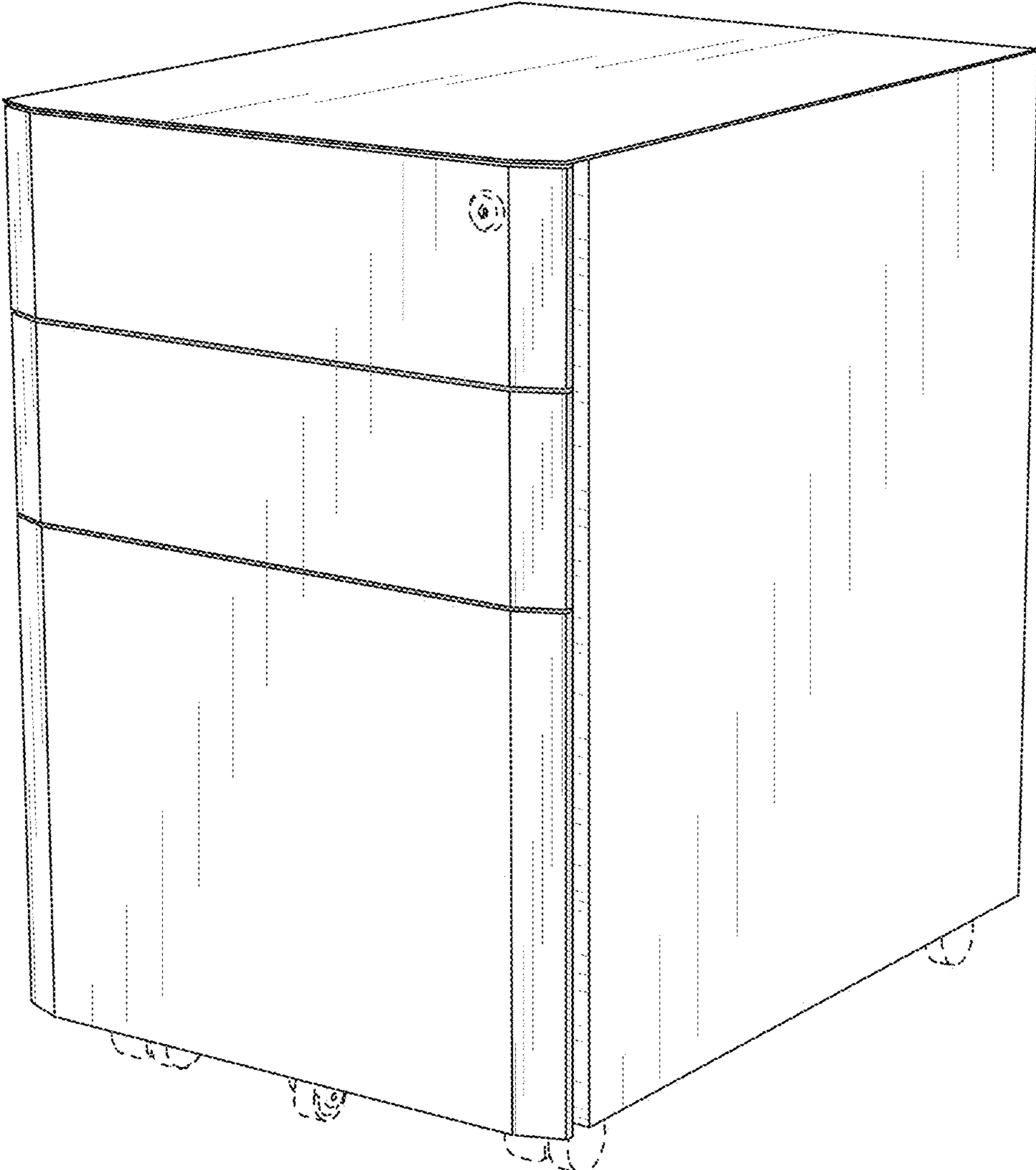


FIG. 2

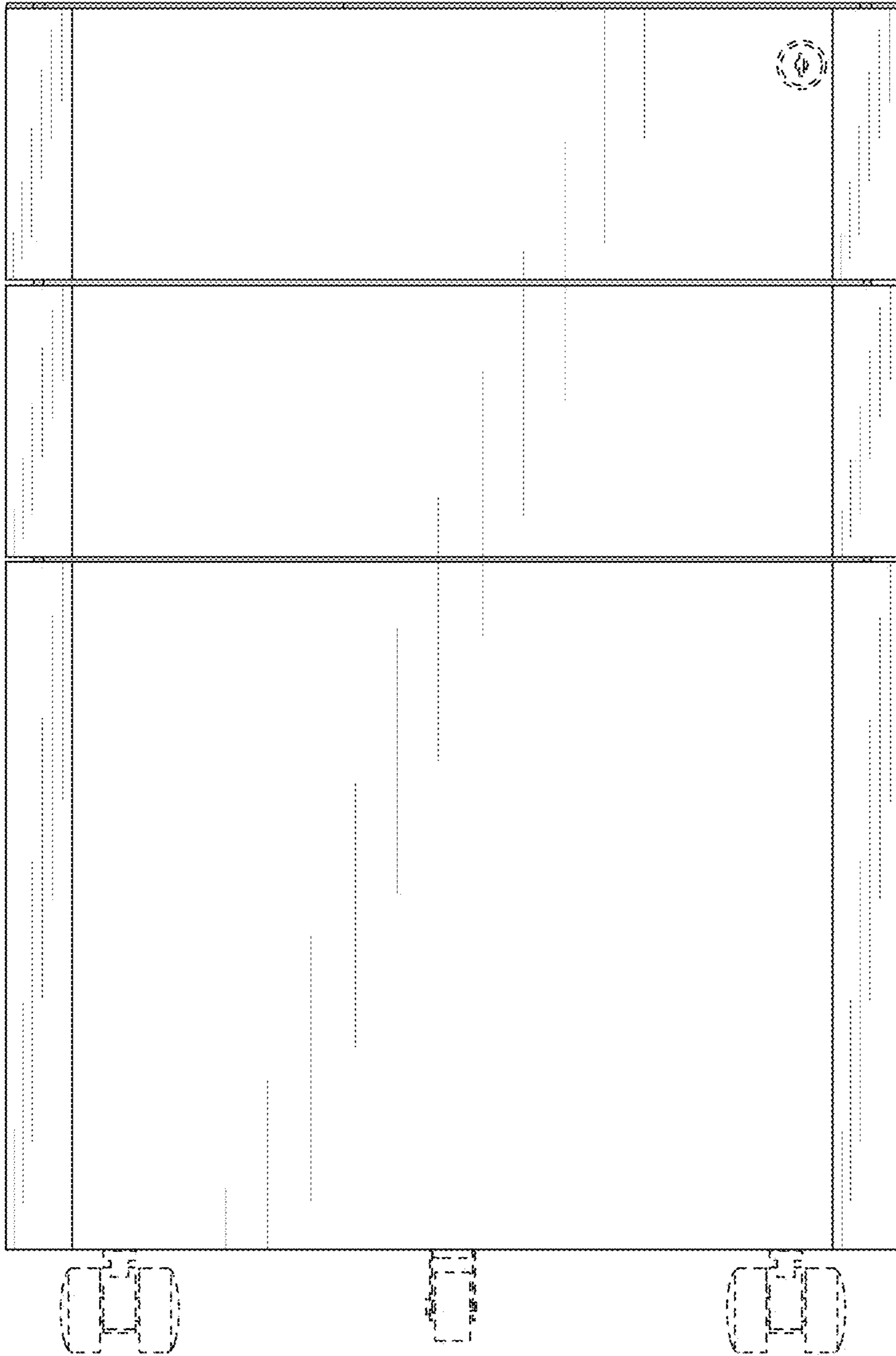


FIG. 3

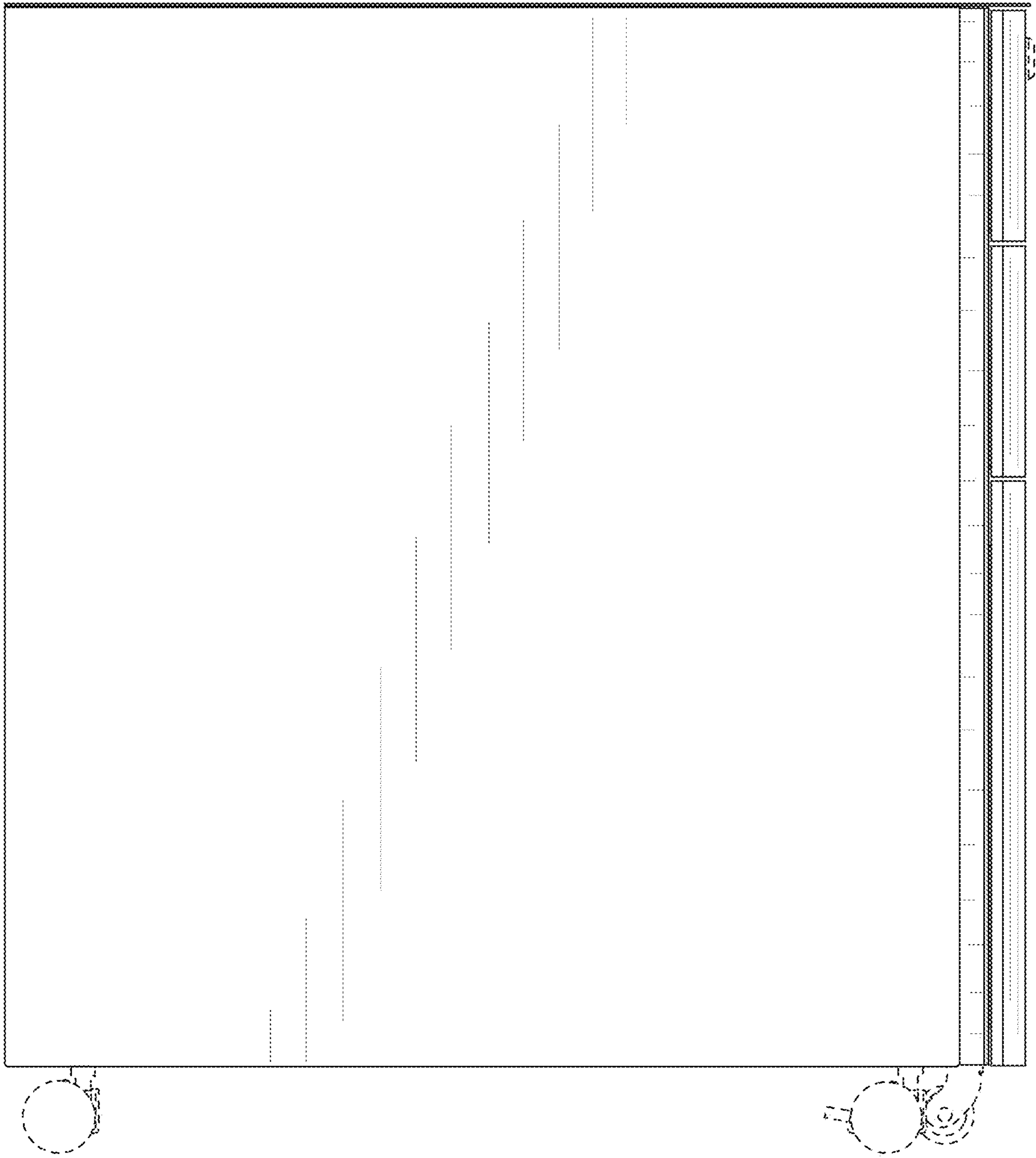


FIG. 4

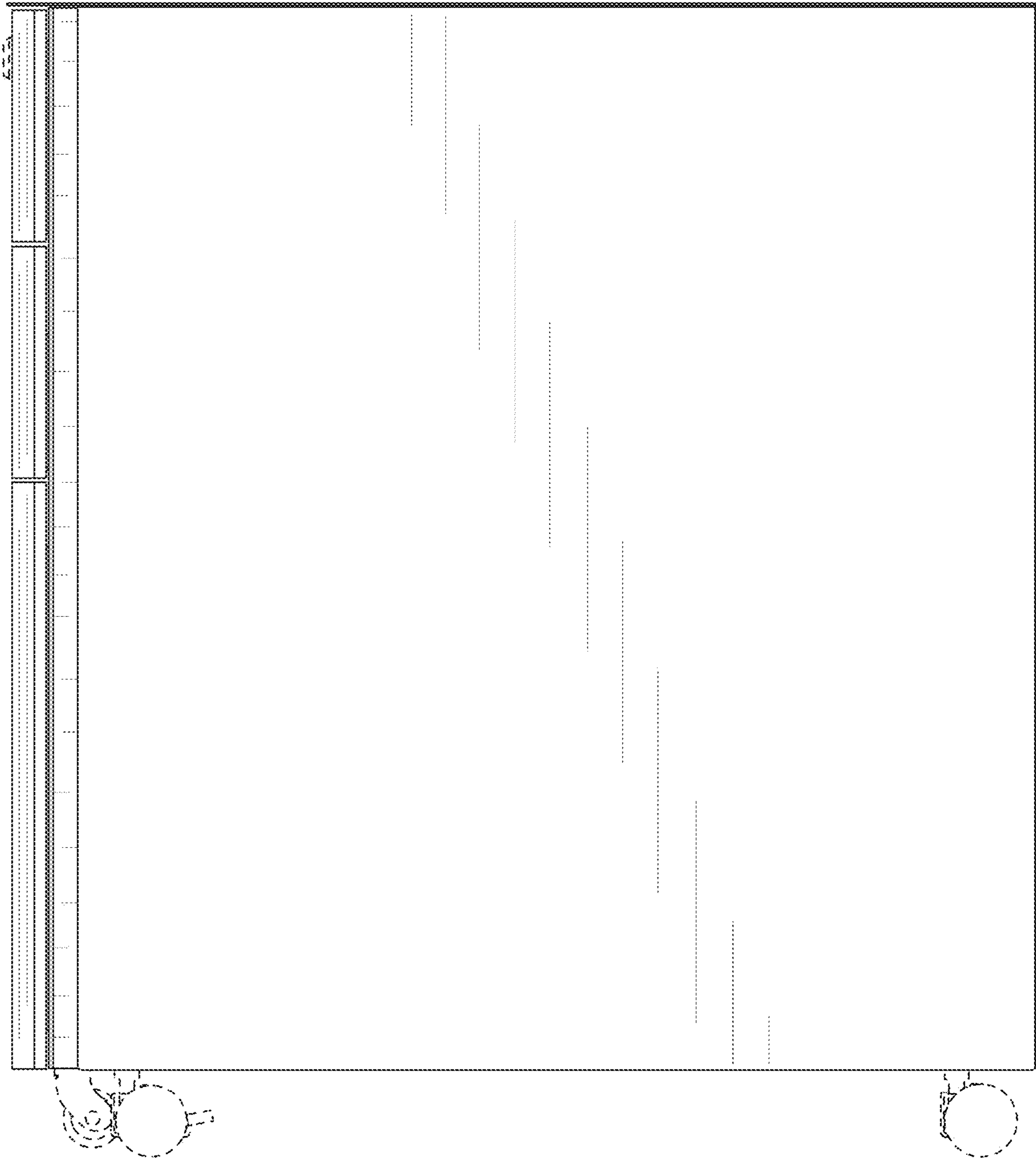


FIG. 5

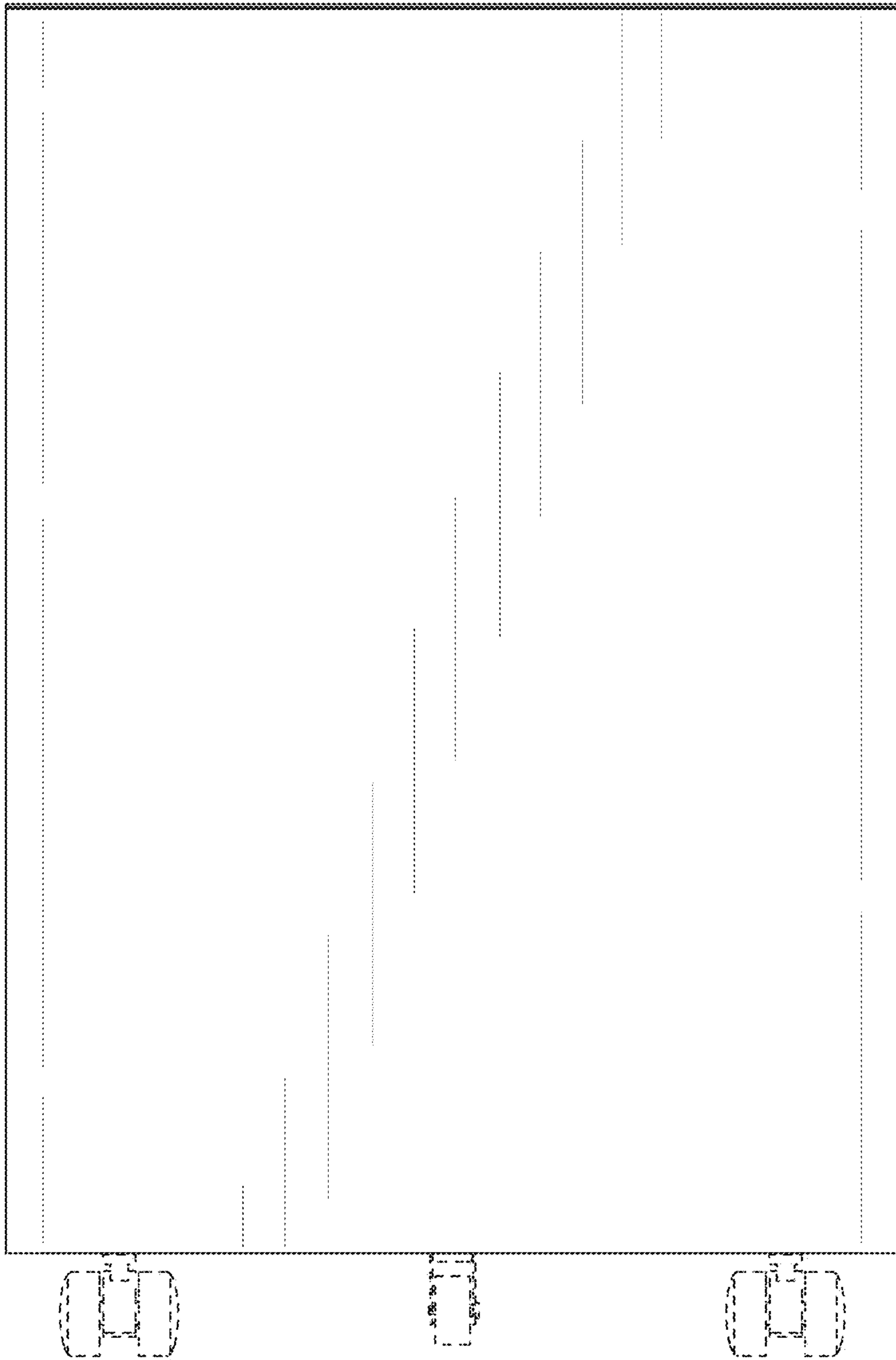


FIG. 6

