



US00D941612S

(12) **United States Design Patent**  
**Wurm et al.**

(10) **Patent No.:** **US D941,612 S**  
(45) **Date of Patent:** **\*\* Jan. 25, 2022**

- (54) **PRIVACY COVE**
- (71) Applicant: **Krueger International, Inc.**, Green Bay, WI (US)
- (72) Inventors: **Robert James Wurm**, De Pere, WI (US); **Lon Douglas Seidl**, Green Bay, WI (US)
- (73) Assignee: **KRUEGER INTERNATIONAL, INC.**, Green Bay, WI (US)
- (\*\*) Term: **15 Years**
- (21) Appl. No.: **29/737,698**
- (22) Filed: **Jun. 11, 2020**
- (51) **LOC (13) Cl.** ..... **06-03**
- (52) **U.S. Cl.**  
USPC ..... **D6/643**
- (58) **Field of Classification Search**  
USPC ..... D6/714, 643, 699.3, 699.5, 332, 643.1, D6/336, 362, 644, 656, 641, 651, 713, D6/329, 642; D23/305; D25/58; 52/36.1, 239, 272; 160/135, 351, 231.1; 108/60; 312/194, 196; 135/96, 161, 124, 135/906  
CPC .. E04H 1/12; E04H 1/00; A47B 87/00; A47B 2200/0071  
See application file for complete search history.

- D287,749 S \* 1/1987 Nilsson ..... D23/314
  - D303,190 S \* 9/1989 Suttles ..... D6/699.5
  - 5,020,684 A \* 6/1991 Jow ..... A47G 19/26  
220/4.22
  - 6,276,382 B1 \* 8/2001 Bindschatel ..... A47B 37/04  
108/50.12
  - D602,707 S \* 10/2009 VanElverdinghe ..... D6/387
  - 7,611,252 B1 11/2009 Lin
  - D613,970 S \* 4/2010 Switzer ..... D6/699.5
- (Continued)

**OTHER PUBLICATIONS**

Framery One by Framery, first available: Unknown. Frameryacoustics.com [online], [site visited Oct. 19, 2021], Internet URL: https://www.frameryacoustics.com/en/products/framery-one/tech-specs/ (Year: 2021).\*

(Continued)

*Primary Examiner* — Steven J Czyz  
*Assistant Examiner* — Hillary Catherine Shepard  
(74) *Attorney, Agent, or Firm* — Andrus Intellectual Property Law, LLP

(57) **CLAIM**

The ornamental design for a privacy cove, as shown and described.

**DESCRIPTION**

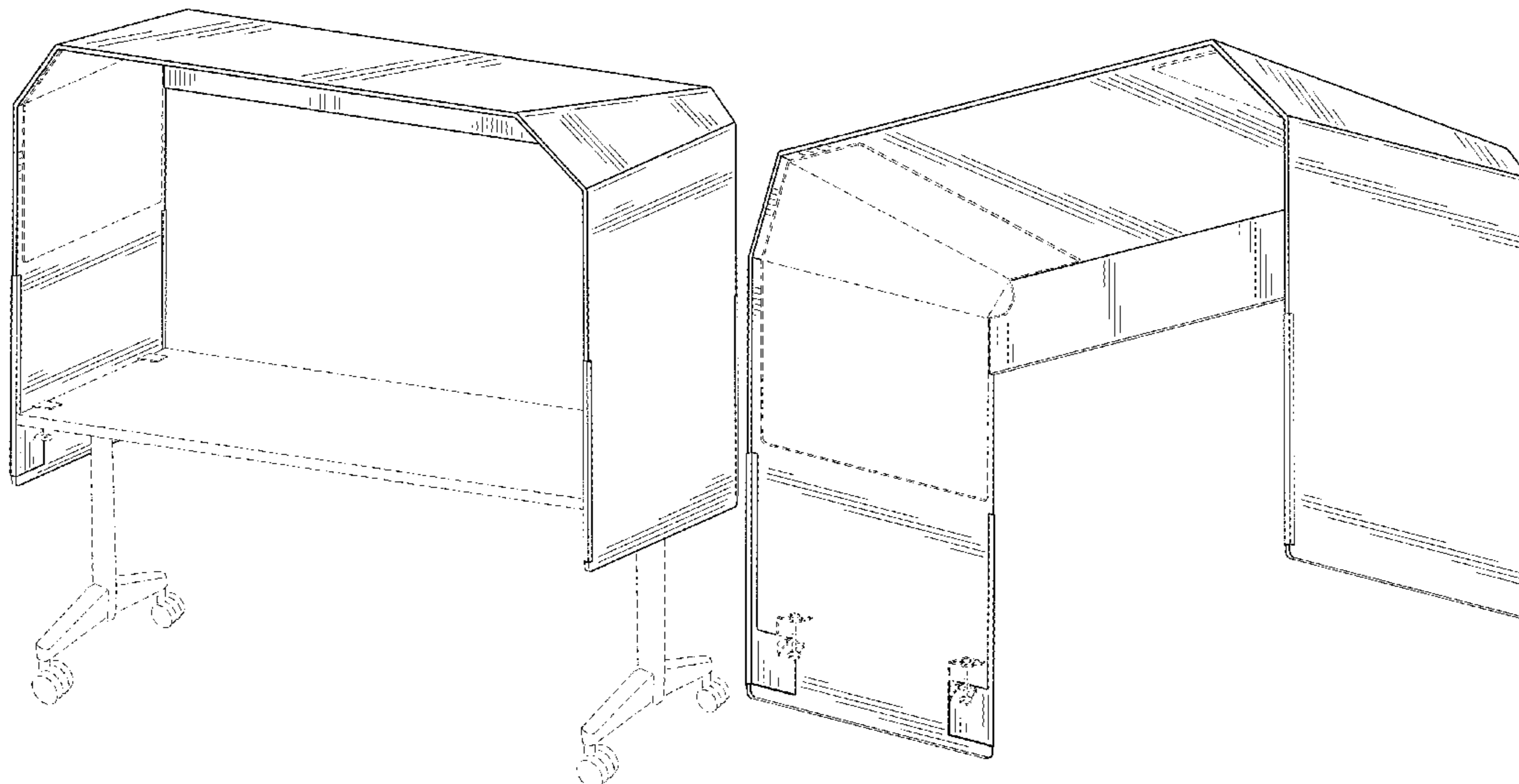
FIG. 1 is a top perspective view of a privacy cove; FIG. 2 is a bottom perspective view of the privacy cove, shown with the desk portion removed; FIG. 3 is a front elevation view thereof; FIG. 4 is a back elevation view thereof; FIG. 5 is a right side elevation view thereof; FIG. 6 is a left side elevation view thereof; FIG. 7 is a top plan view thereof; and, FIG. 8 is bottom plan view thereof. The broken lines depict portions of the article that form no part of the claimed design.

**1 Claim, 7 Drawing Sheets**

(56) **References Cited**

**U.S. PATENT DOCUMENTS**

- 1,044,523 A 11/1912 Hedman
- 1,937,254 A 11/1933 Stoll
- 2,903,316 A \* 9/1959 Schmidt ..... B25H 1/12  
312/140.4
- D188,200 S \* 6/1960 Swarts ..... D6/707.15
- 3,853,297 A 12/1974 Drolet
- 3,856,252 A 12/1974 Regis
- D274,088 S \* 5/1984 Nilsson ..... D15/199



(56)

References Cited

U.S. PATENT DOCUMENTS

8,070,220 B2 \* 12/2011 Reeb ..... A47C 7/66  
 297/184.15  
 D675,458 S \* 2/2013 Martin ..... D6/381  
 8,534,752 B2 \* 9/2013 Martin ..... A47B 13/081  
 297/184.15  
 D730,658 S \* 6/2015 Dillon ..... D6/650  
 9,161,639 B1 \* 10/2015 Hundley ..... A47F 9/00  
 D743,716 S \* 11/2015 Dillon ..... D6/650  
 D787,206 S \* 5/2017 Webb ..... D6/335  
 D809,808 S \* 2/2018 Sarkkinen ..... D6/337  
 9,949,562 B2 4/2018 Carson et al.  
 D821,788 S \* 7/2018 Velez ..... D6/687  
 D824,195 S \* 7/2018 Ezure ..... D6/714  
 D895,988 S \* 9/2020 Crawford ..... D6/332  
 D911,761 S \* 3/2021 Sampath ..... D6/714  
 D915,780 S \* 4/2021 Clarke ..... D6/337  
 2002/0189170 A1 \* 12/2002 Reuschel ..... E04H 1/125  
 52/36.2  
 2003/0106471 A1 \* 6/2003 Rivers ..... A47B 13/08  
 108/90

2006/0249189 A1 \* 11/2006 Ishmael ..... G06F 1/1603  
 135/96  
 2007/0283631 A1 \* 12/2007 Grandin ..... A47B 83/001  
 52/36.2  
 2008/0078734 A1 4/2008 Yoon  
 2009/0007947 A1 \* 1/2009 Spangenberg ..... C12Q 1/001  
 135/96  
 2009/0133609 A1 5/2009 Nethken et al.  
 2020/0347626 A1 \* 11/2020 Petty ..... E04B 1/34357

OTHER PUBLICATIONS

Mobile Meeting Pod: The Zip Pod by Spaceworx, first available: Unknown. Spaceworx.us [online], [site visited Oct. 19, 2021], Internet URL: [http://spaceworx.us/mobile-meeting-pod/\(Year: 2021\).](http://spaceworx.us/mobile-meeting-pod/(Year: 2021).)\*  
 Mojodome by MojoDesk, first available: Unknown. Mojodesk.com [online], [site visited Oct. 19, 2021], Internet URL: [https://mojodesk.com/products/mojo-dome \(Year: 2021\).](https://mojodesk.com/products/mojo-dome (Year: 2021).)\*  
 Tartana Acoustic Dome by Lepere, first available: Unknown. Lepereinc.com [online], [site visited Oct. 19, 2021], Internet URL: [http://www.lepereinc.com/product/tartana/ \(Year: 2021\).](http://www.lepereinc.com/product/tartana/ (Year: 2021).)\*

\* cited by examiner

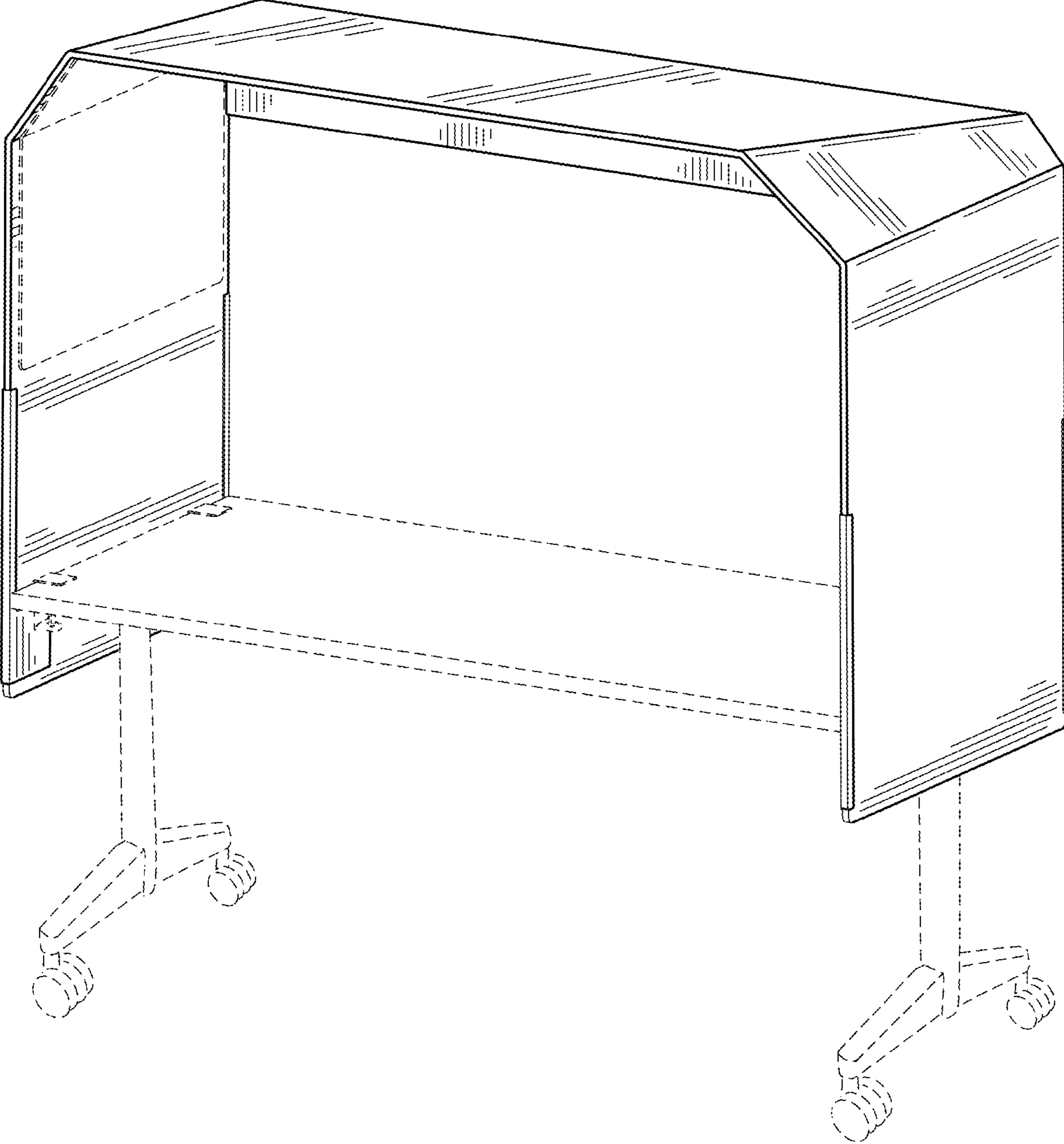


FIG. 1

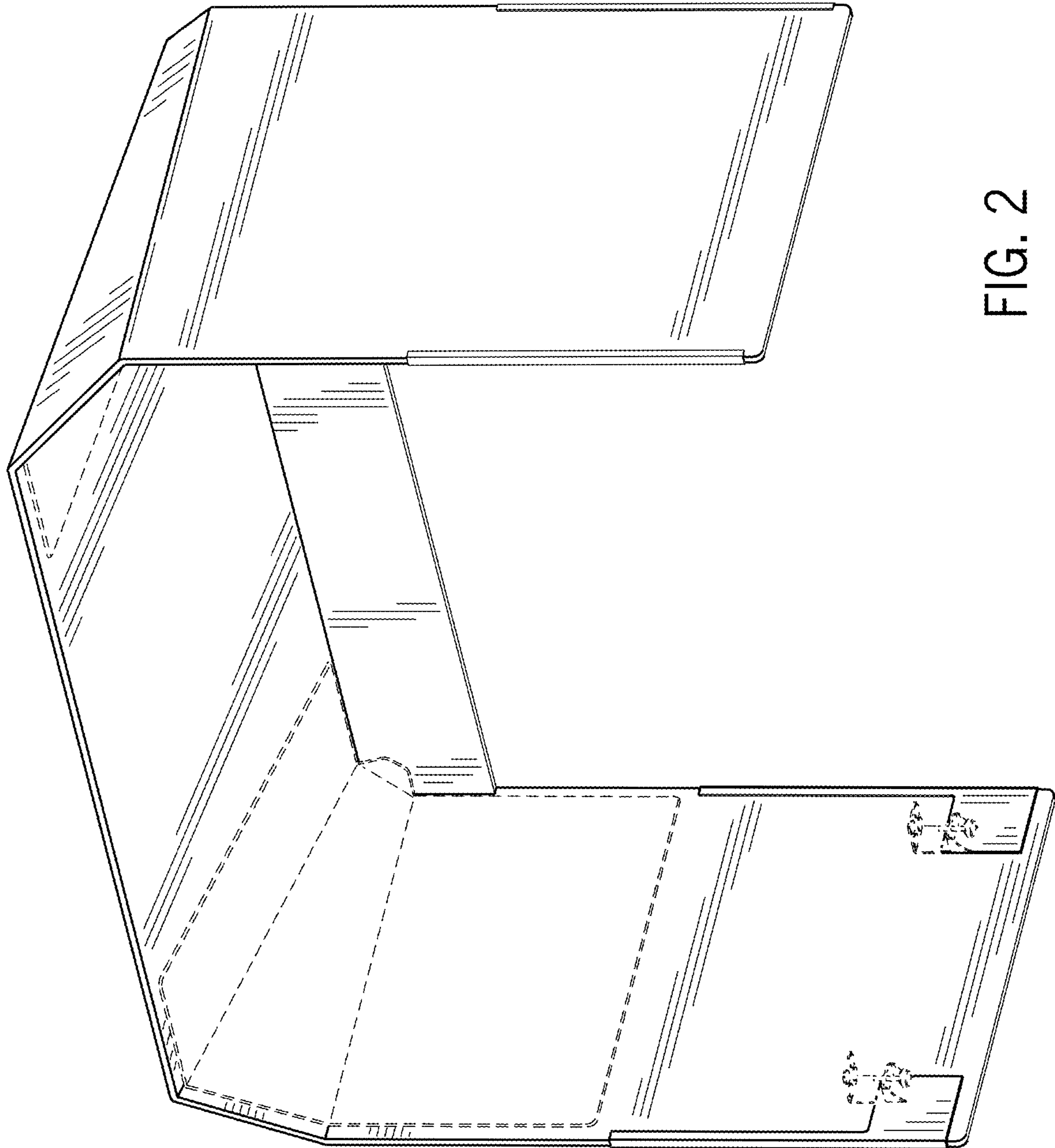


FIG. 2

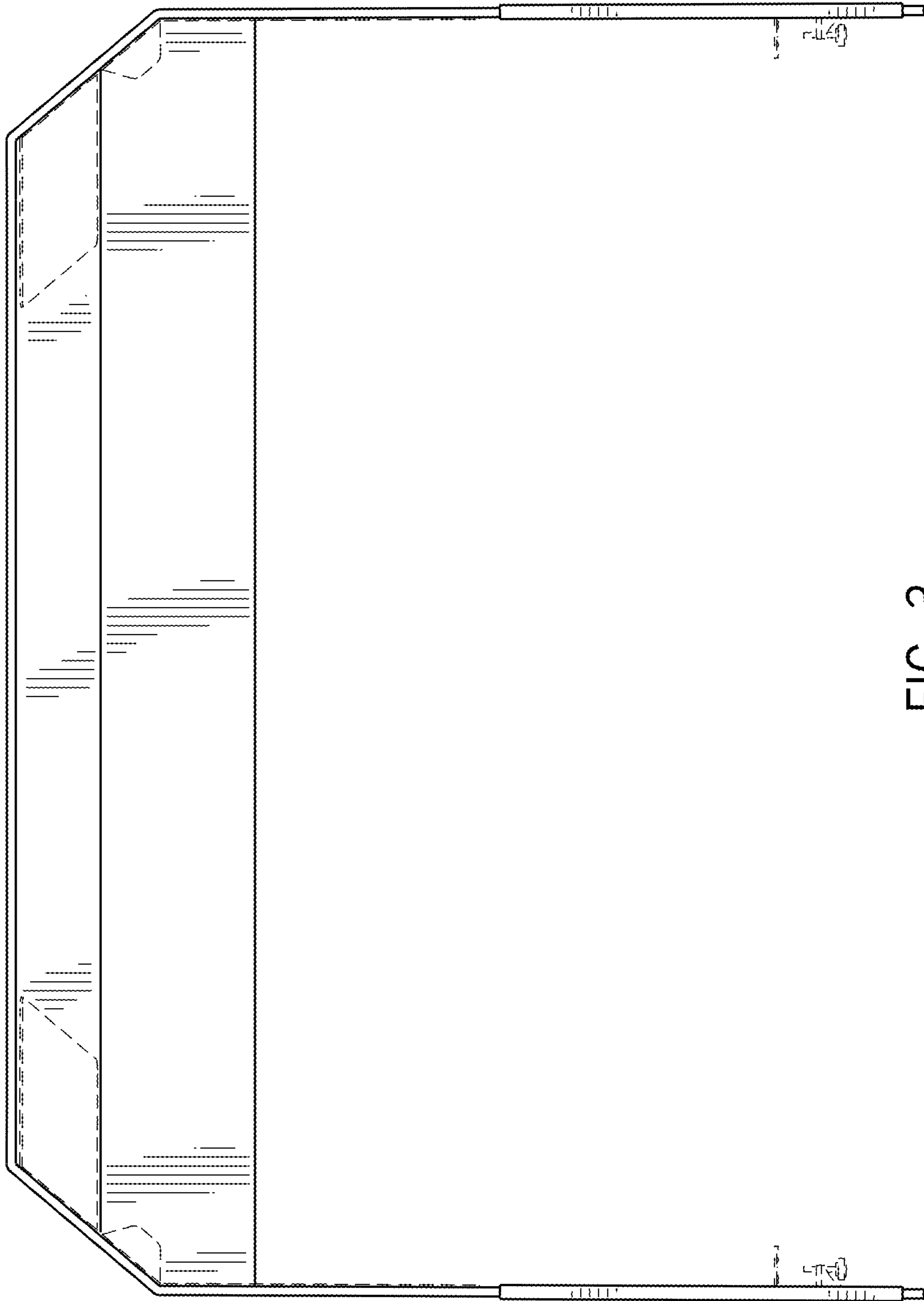


FIG. 3

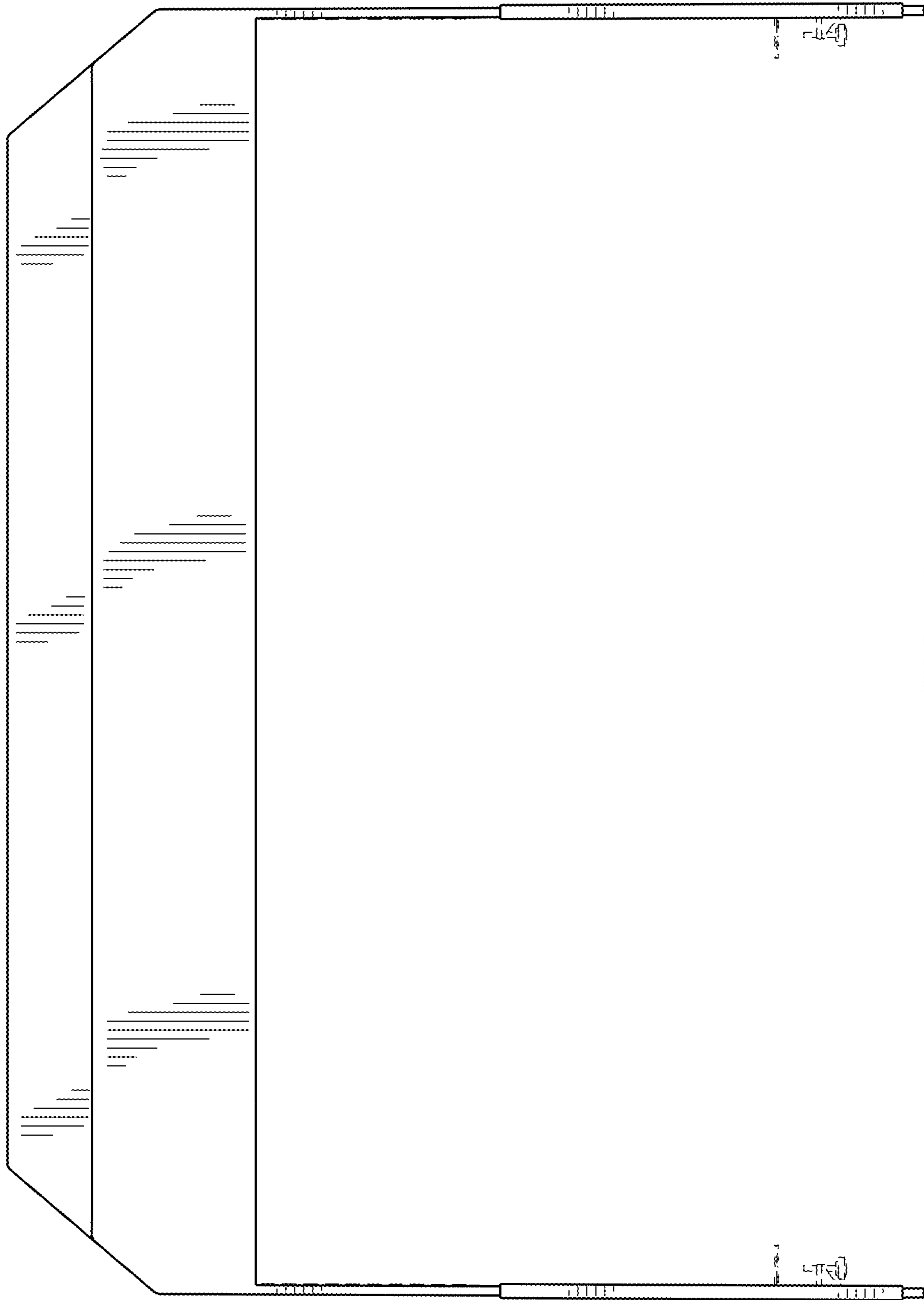


FIG. 4

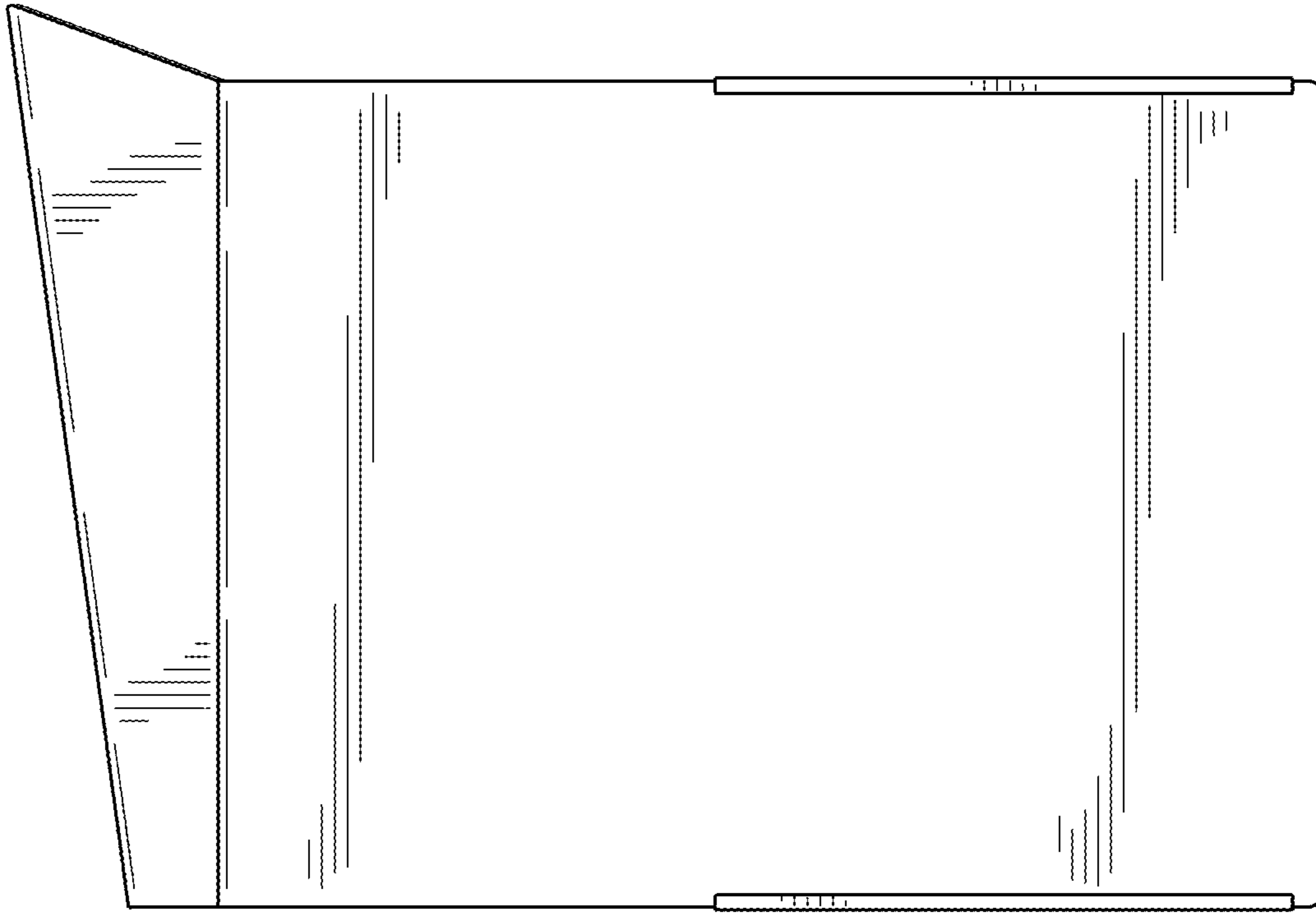


FIG. 6

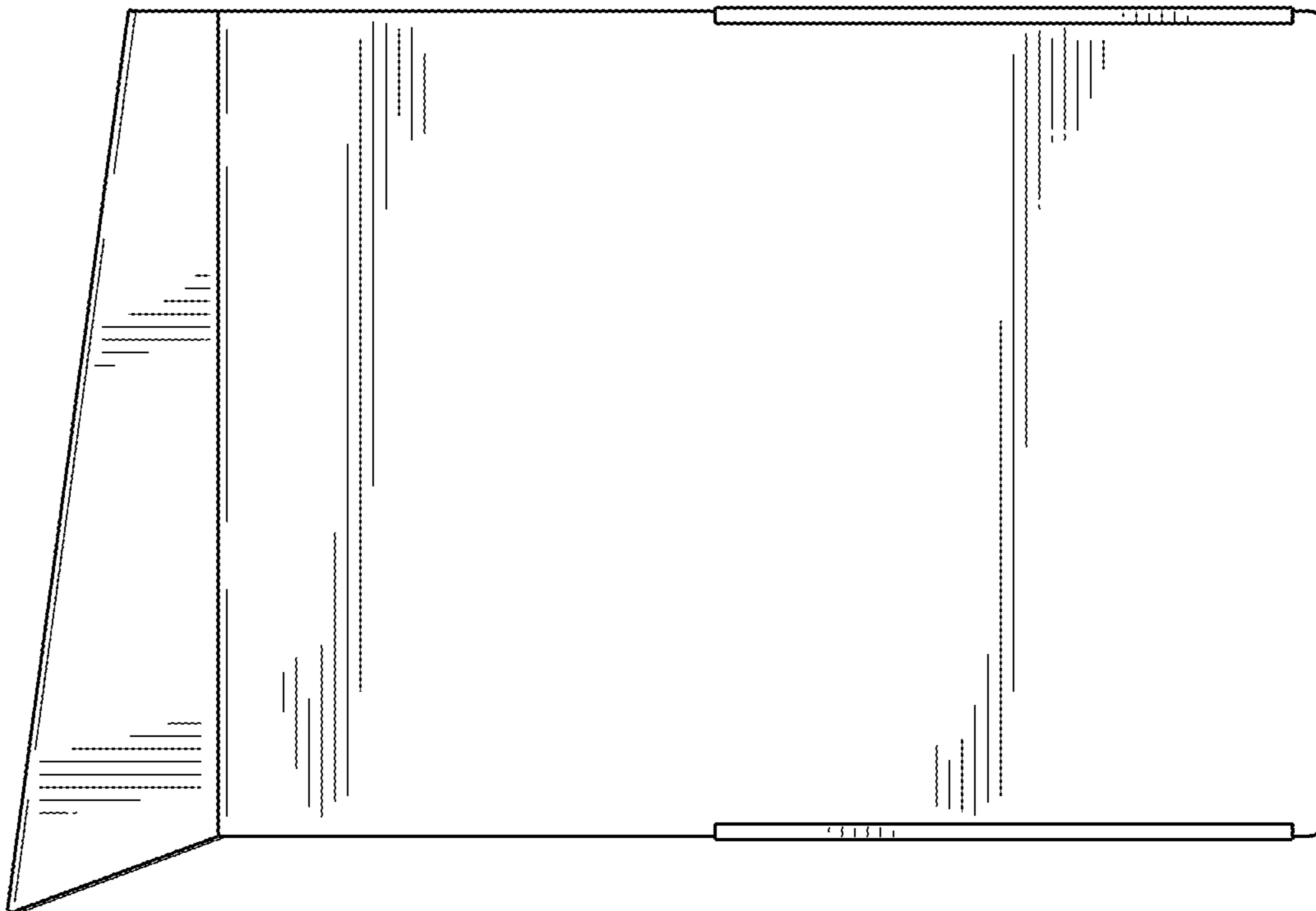


FIG. 5

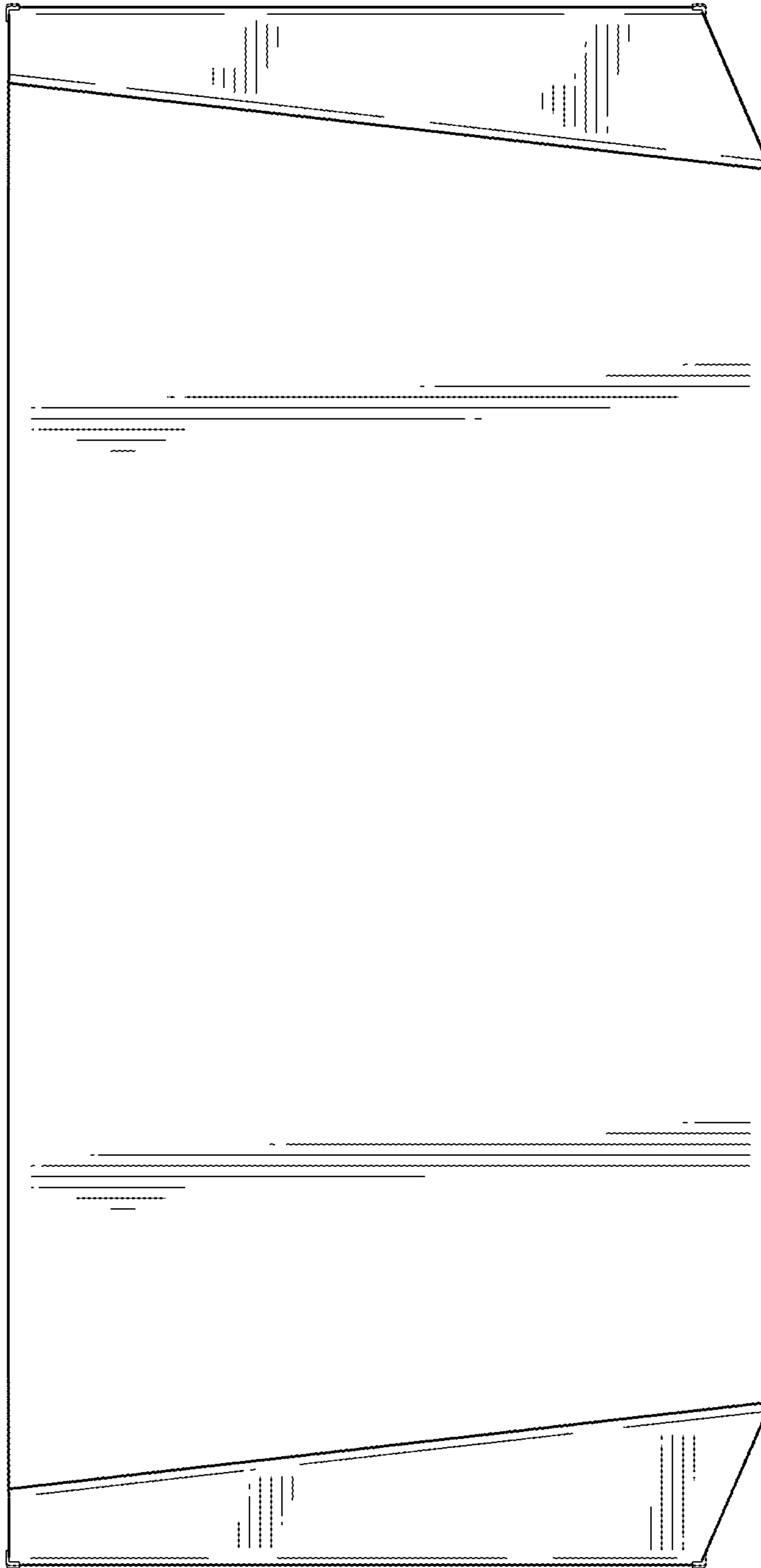


FIG. 7



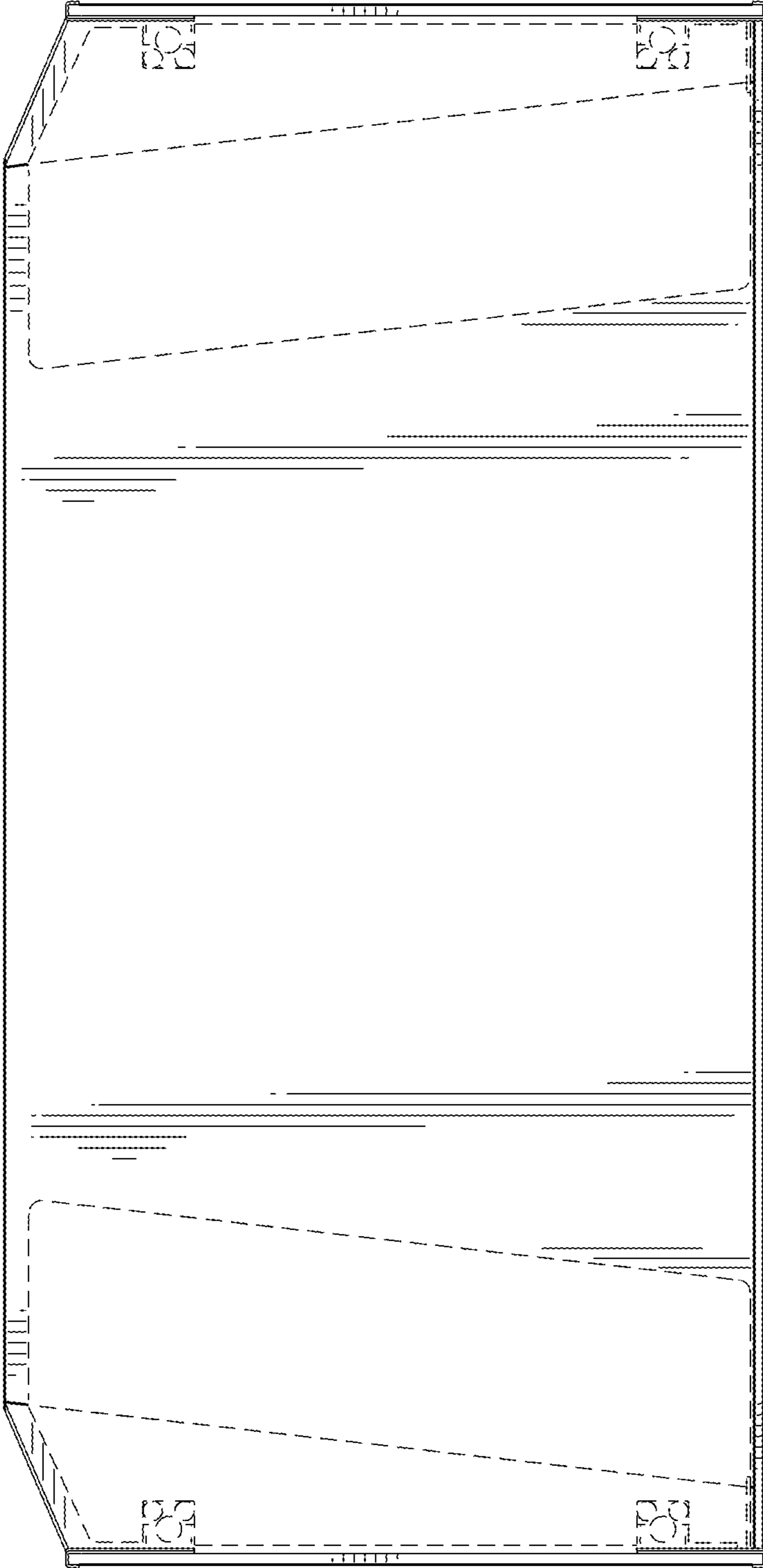


FIG. 8