



US00D941611S

(12) **United States Design Patent**
Zhang

(10) **Patent No.:** **US D941,611 S**

(45) **Date of Patent:** **** Jan. 25, 2022**

(54) **INFLATABLE BED**

(71) Applicant: **An Zhang**, Linxiang (CN)

(72) Inventor: **An Zhang**, Linxiang (CN)

(**) Term: **15 Years**

(21) Appl. No.: **29/757,461**

(22) Filed: **Nov. 5, 2020**

(51) **LOC (13) Cl.** **06-09**

(52) **U.S. Cl.**
USPC **D6/604**

(58) **Field of Classification Search**
USPC D6/333, 349, 355, 375, 388, 512, 563,
D6/564, 595, 596, 601, 604, 611, 707,
D6/715, 716, 716.1; D24/183-185, 234;
D21/803, 804, 805, 809
CPC A47G 9/10; A47G 9/1009; A47G 9/1027;
A47G 9/1045; A47G 9/1063; A47G
9/1072; A47G 9/1081
See application file for complete search history.

(56) **References Cited**

U.S. PATENT DOCUMENTS

D179,241 S	*	11/1956	Burton et al.	D6/604
D366,084 S	*	1/1996	Wolfe	D21/809
D419,495 S	*	1/2000	Muhanna	5/706
D471,051 S	*	3/2003	Cook	D6/604

D474,061 S	*	5/2003	Cook	D6/604
D486,343 S	*	2/2004	Feuer	D6/596
D688,899 S	*	9/2013	Chiang	D6/604
D844,347 S	*	4/2019	Bosstick	D6/604
D851,962 S	*	6/2019	King	D6/604
D852,543 S	*	7/2019	Clute	D6/604
D861,378 S	*	10/2019	Pally	D6/604
D899,150 S	*	10/2020	Cheng	D6/605
D921,400 S	*	6/2021	He	D6/604

* cited by examiner

Primary Examiner — Jennifer L Rempfer

(74) *Attorney, Agent, or Firm* — True Shepherd LLC;
Andrew C. Cheng

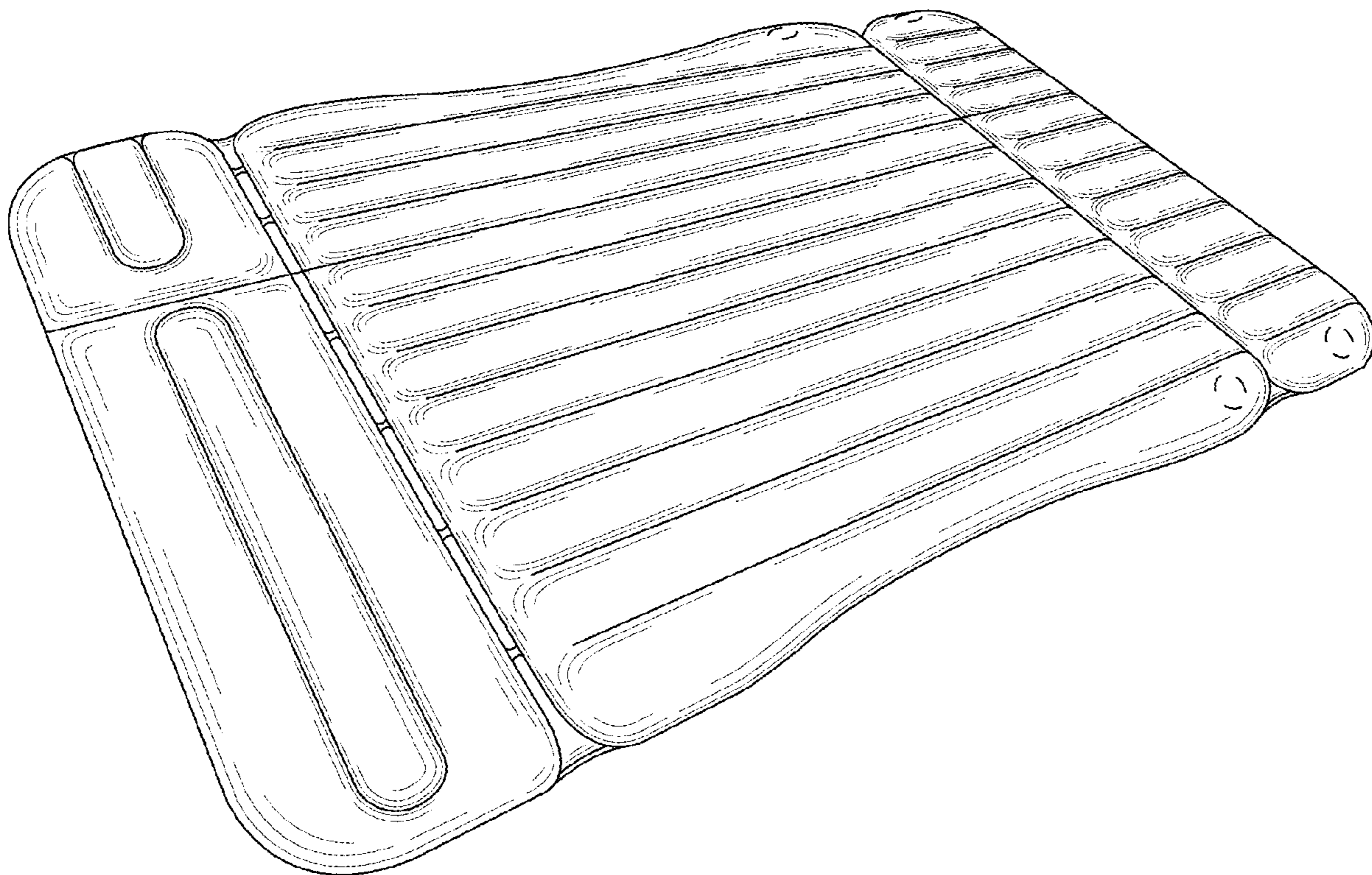
(57) **CLAIM**

The ornamental design for inflatable bed, as shown and described.

DESCRIPTION

FIG. 1 is a perspective view of an inflatable bed showing my new design;
FIG. 2 is a front view thereof;
FIG. 3 is a rear view thereof;
FIG. 4 is a left side view thereof;
FIG. 5 is a right side view thereof;
FIG. 6 is a top plan view thereof; and,
FIG. 7 is a bottom plan, view thereof.
The broken lines depict portions of the inflatable bed and form no part of the claimed design.

1 Claim, 5 Drawing Sheets



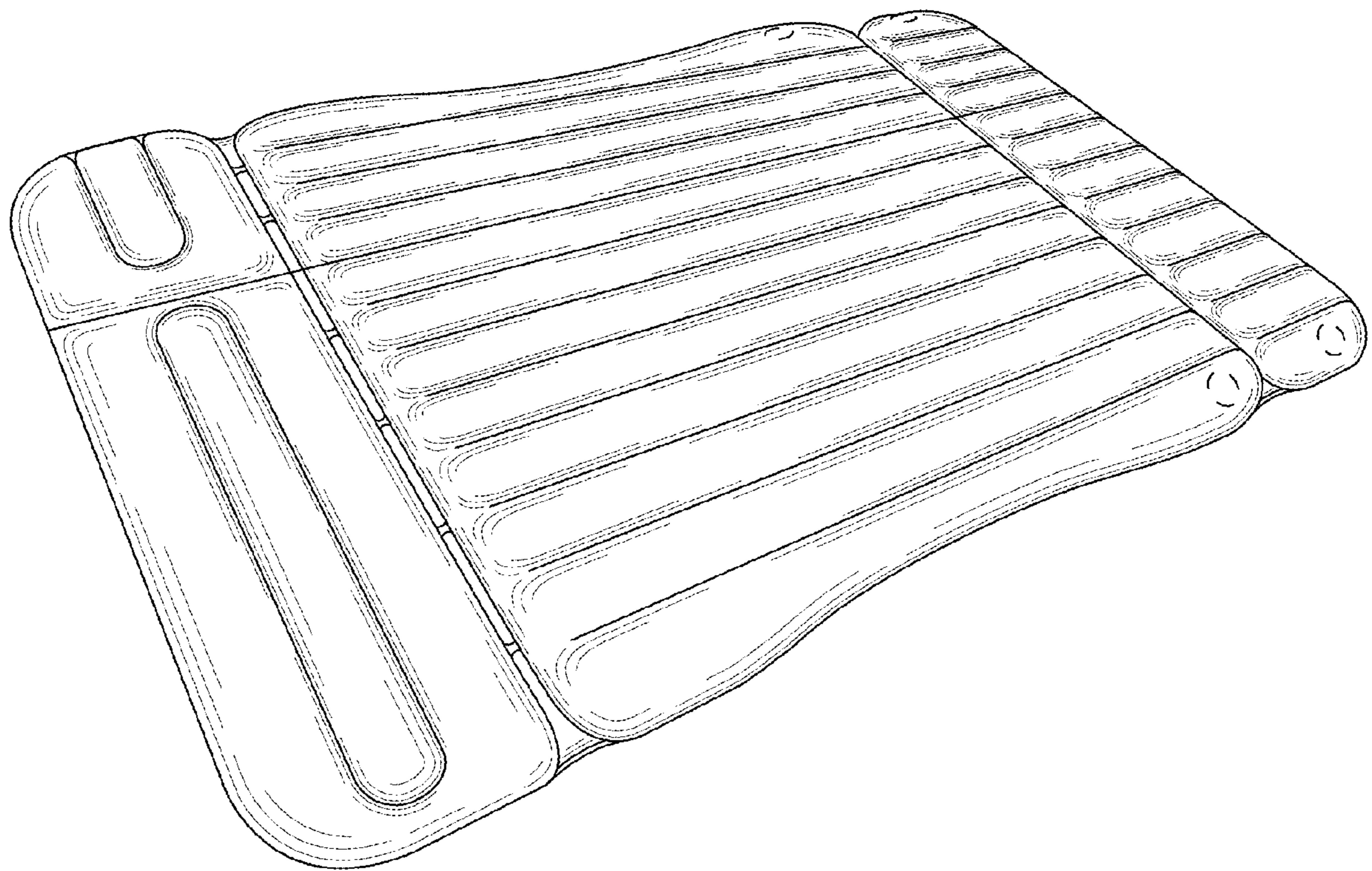


FIG. 1

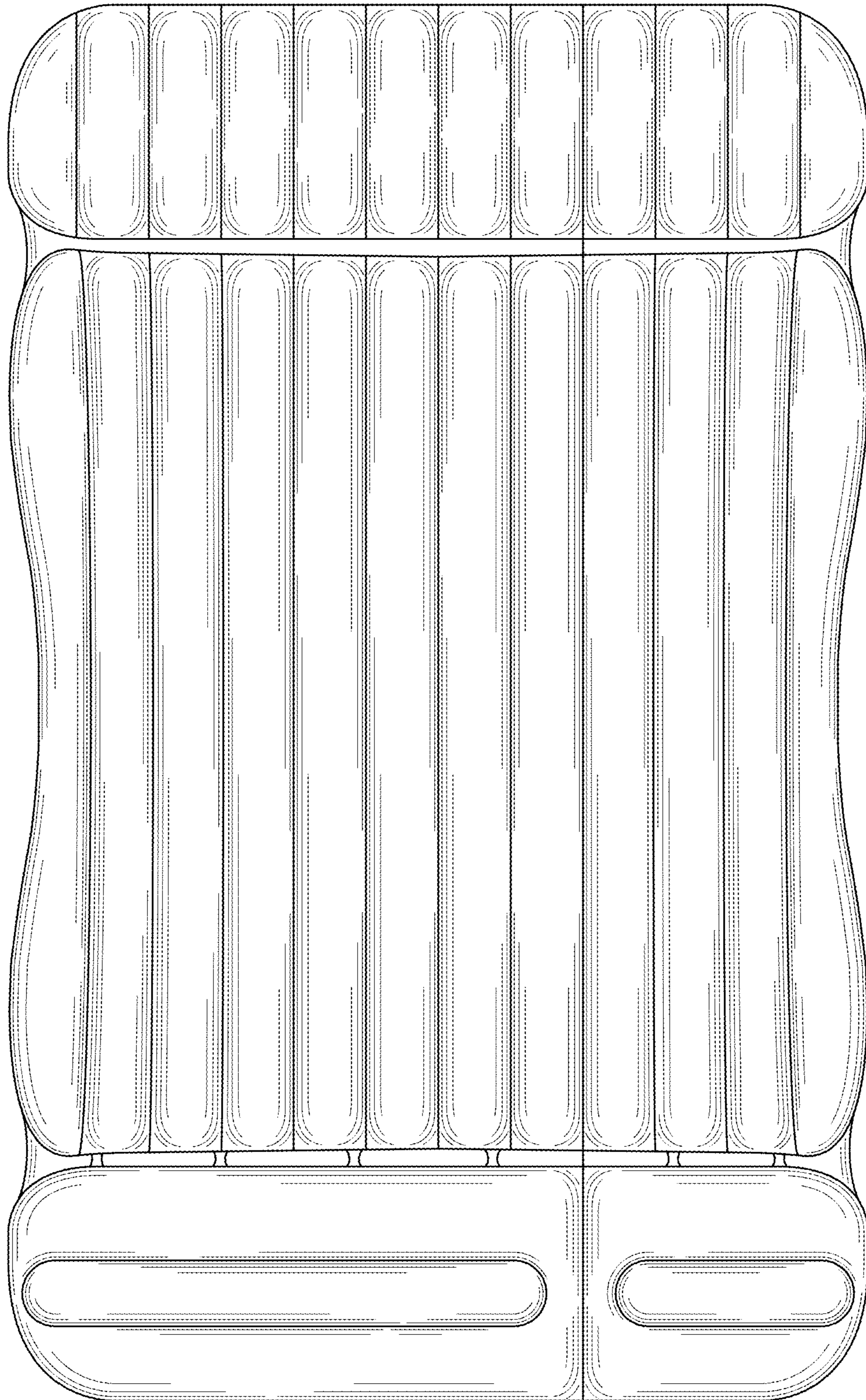


FIG. 2

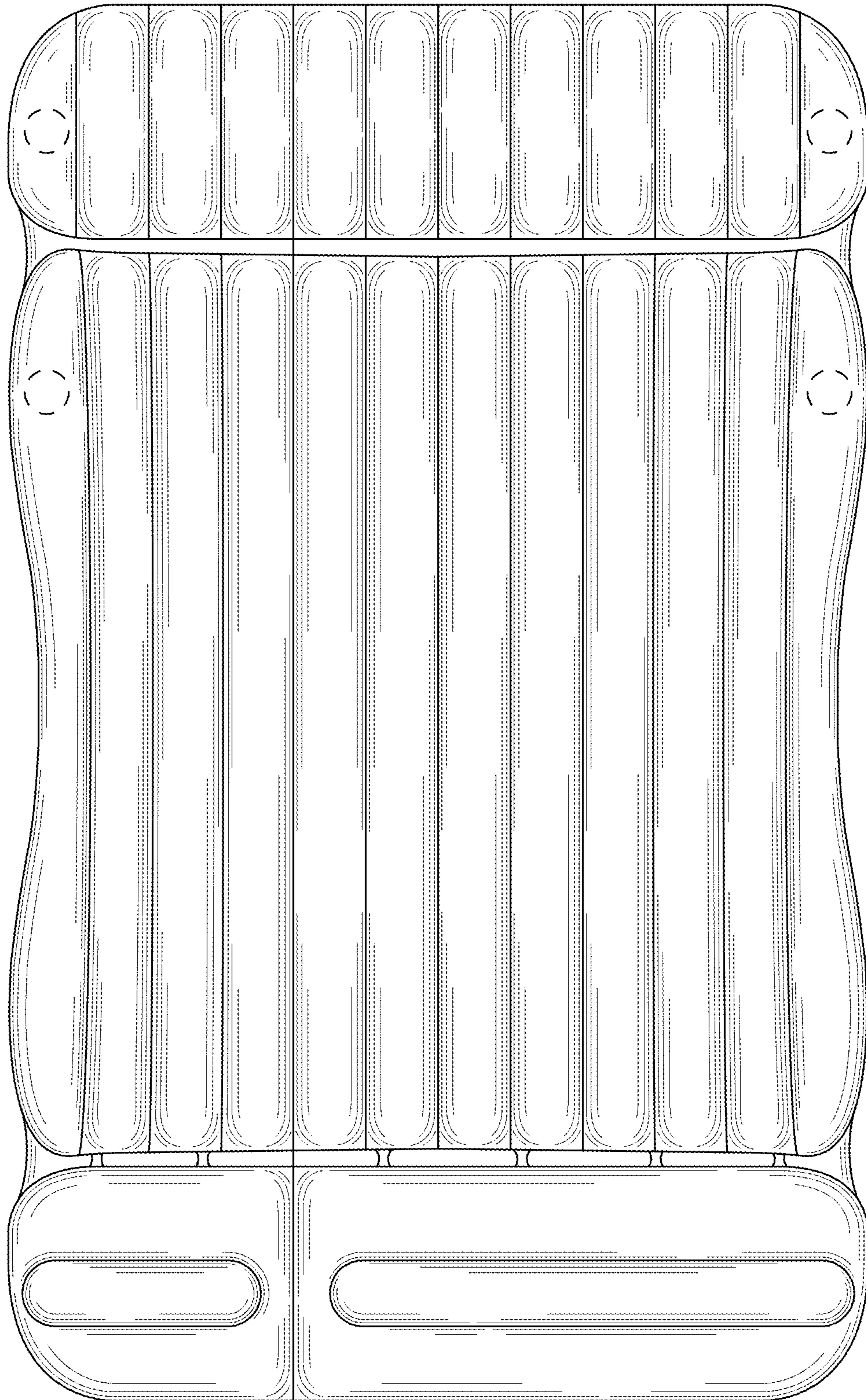


FIG. 3

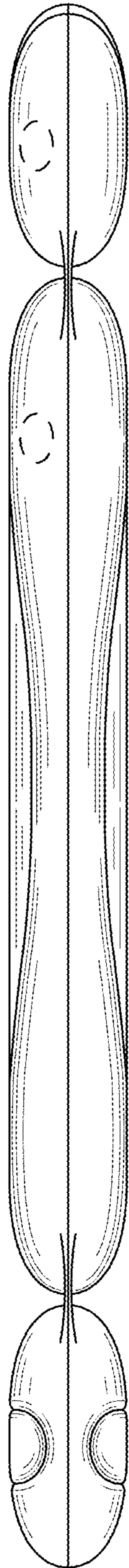


FIG. 4

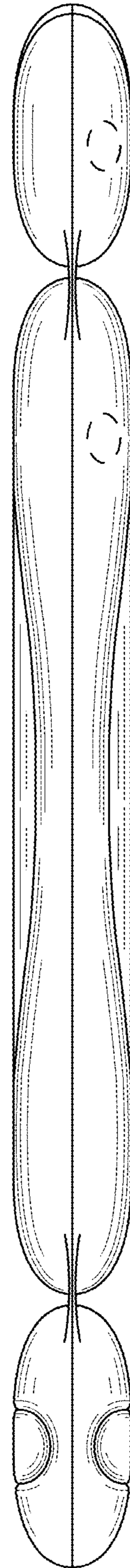


FIG. 5

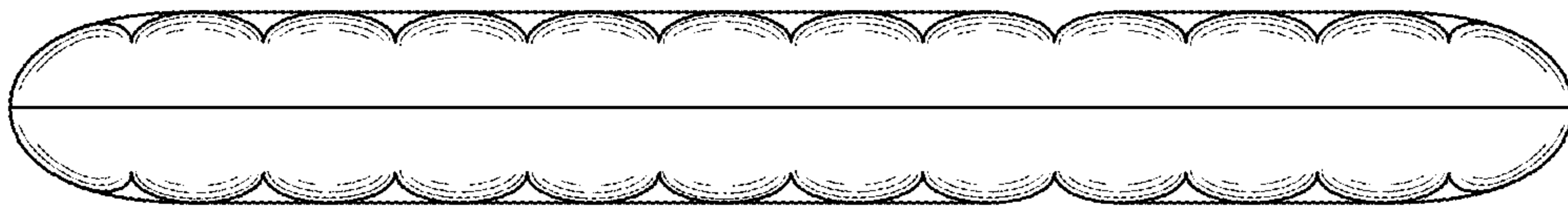


FIG. 6

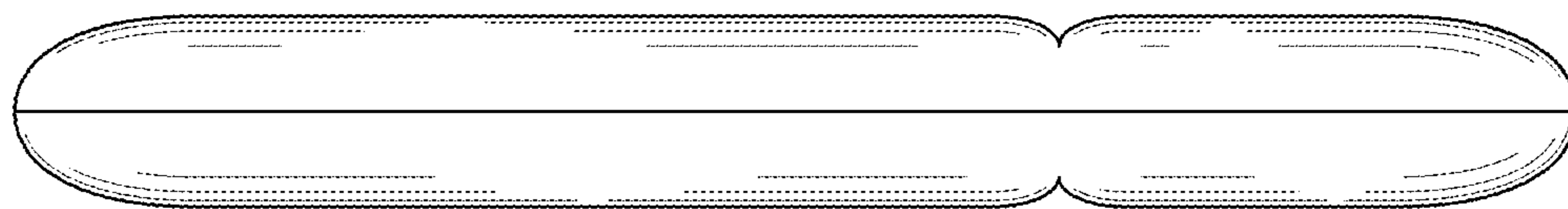


FIG. 7