



US00D941605S

(12) **United States Design Patent**
Yang

(10) **Patent No.:** **US D941,605 S**
(45) **Date of Patent:** **** Jan. 25, 2022**

- (54) **FISHING ROD RACK**
- (71) Applicant: **Zijiang Yang**, Fontana, CA (US)
- (72) Inventor: **Zijiang Yang**, Fontana, CA (US)
- (**) Term: **15 Years**
- (21) Appl. No.: **29/747,196**
- (22) Filed: **Aug. 20, 2020**
- (51) **LOC (13) Cl.** **08-08**
- (52) **U.S. Cl.**
USPC **D6/552**
- (58) **Field of Classification Search**
USPC D6/552, 553, 567, 572; D8/380;
D22/109, 147, 148; D25/68; 43/21,
43/21.2; 211/13.1, 60.1, 64, 70.2, 70.6,
211/70.8, 65, 68, 69, 69.8, 89, 94;
248/512, 520, 538, 316.7
CPC A01K 97/10; A01K 97/12; A01K 97/125;
A01K 99/00; A01K 97/08; A47F 7/0021;
A47F 7/0035; A47B 81/005; Y10T
70/5009; Y10S 224/922
See application file for complete search history.

- 8,534,470 B1 * 9/2013 Lin A47F 5/137
211/27
- D776,956 S * 1/2017 Ma D6/552
- 10,376,052 B1 * 8/2019 Bartley A47B 81/005
- D917,919 S * 5/2021 Davis D6/552
- 2006/0091096 A1 * 5/2006 Velez B62B 3/10
211/194
- 2015/0209954 A1 * 7/2015 Hokanson B25H 3/04
52/741.14
- 2019/0313813 A1 * 10/2019 Honermann A47F 7/0028

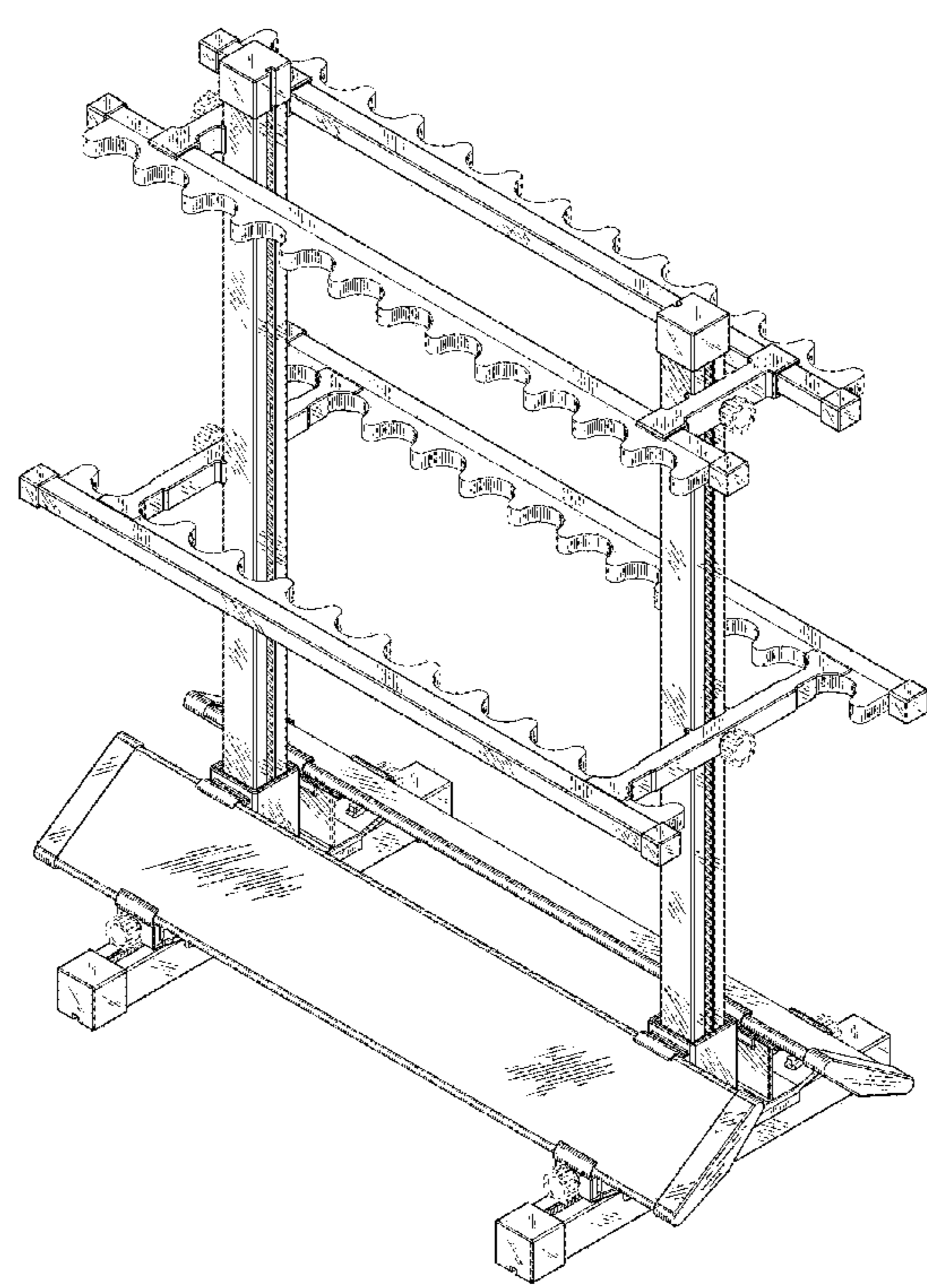
* cited by examiner
Primary Examiner — Nathan M Johnston

- (56) **References Cited**
U.S. PATENT DOCUMENTS
3,004,673 A * 10/1961 Merton A47F 7/0028
211/70.8
D249,425 S * 9/1978 Jones D6/552
D387,231 S * 12/1997 Turcotte D6/552
D473,991 S * 4/2003 Moon D34/14
D477,741 S * 7/2003 Wang D6/552
D688,490 S * 8/2013 Pepe D6/552

(57) **CLAIM**
I claim the ornamental design for a fishing rod rack, as shown and described.

DESCRIPTION
FIG. 1 is an isometric view of a fishing rod rack showing my new design.
FIG. 2 is a front elevation view thereof, with the opposite side being identical to that shown.
FIG. 3 is a side elevation view thereof, with the opposite side being identical to that shown.
FIG. 4 is a top plan view thereof; and,
FIG. 5 is a bottom plan view thereof.
The broken lines show portions of the fishing rod rack that form no part of the claimed design.
The claimed fishing rod rack is characterized by a support system mounted to two identical legs with connecting base plates and can be used to store fishing rods.

1 Claim, 4 Drawing Sheets



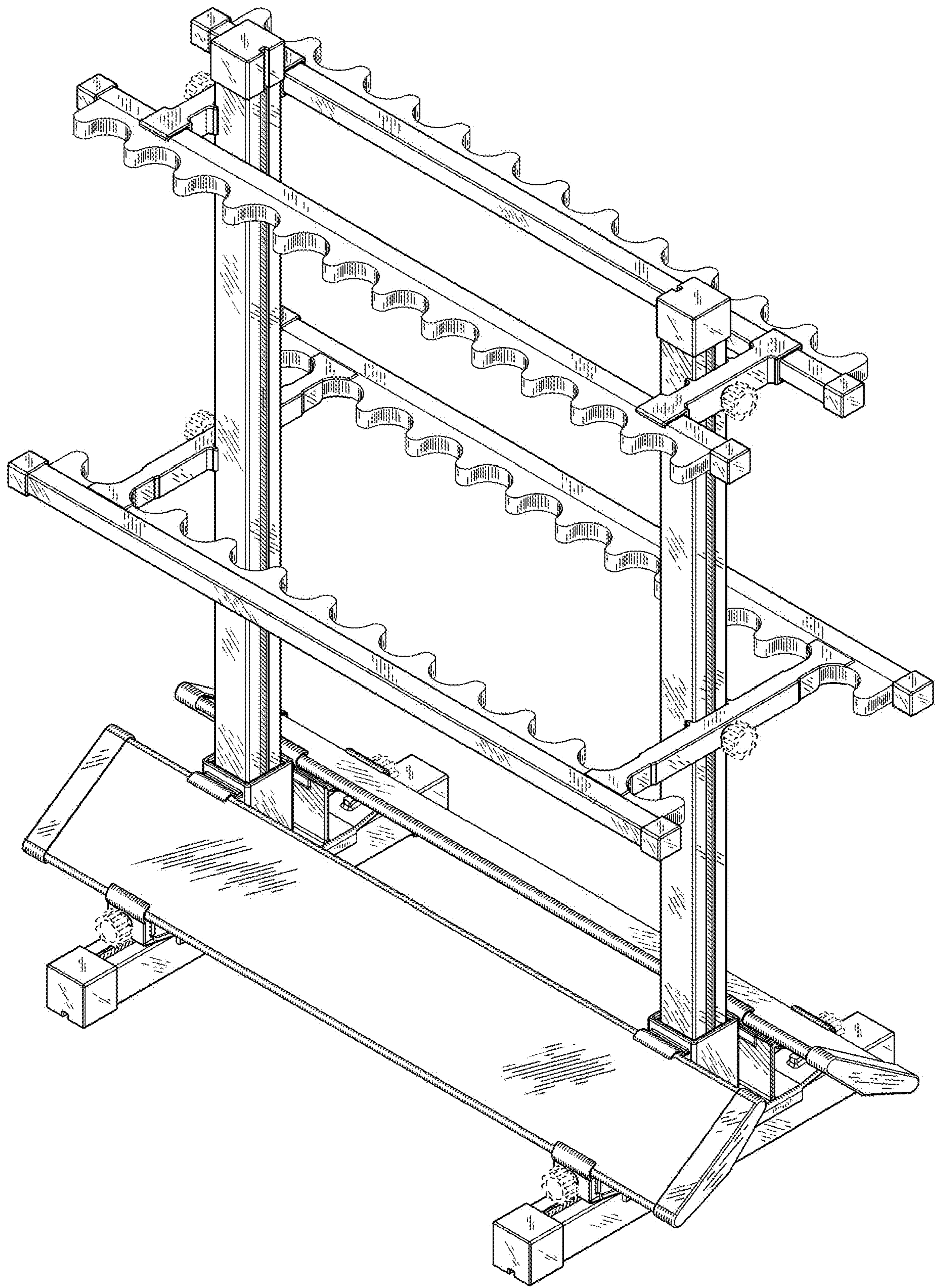


Fig. 1

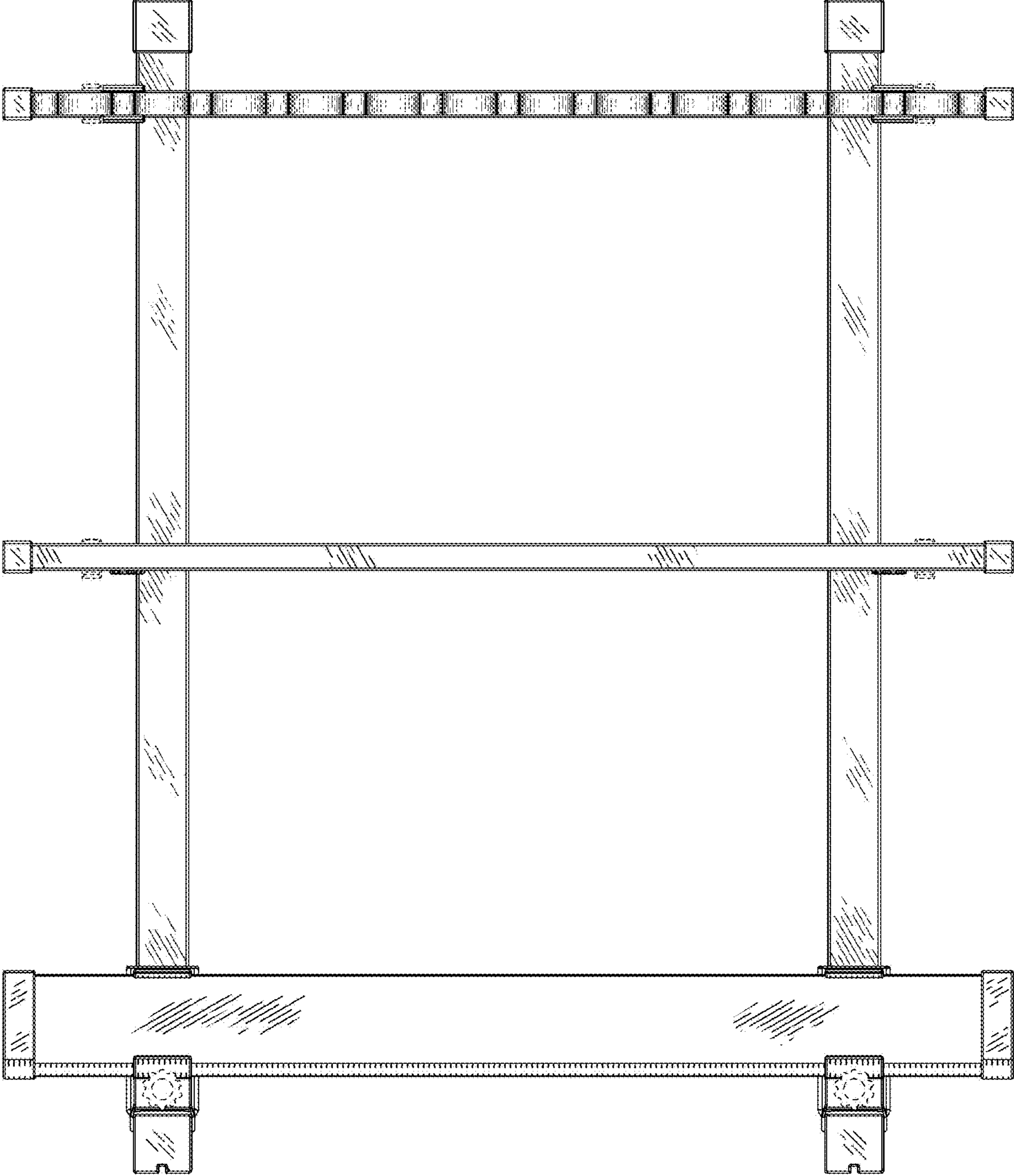


Fig. 2

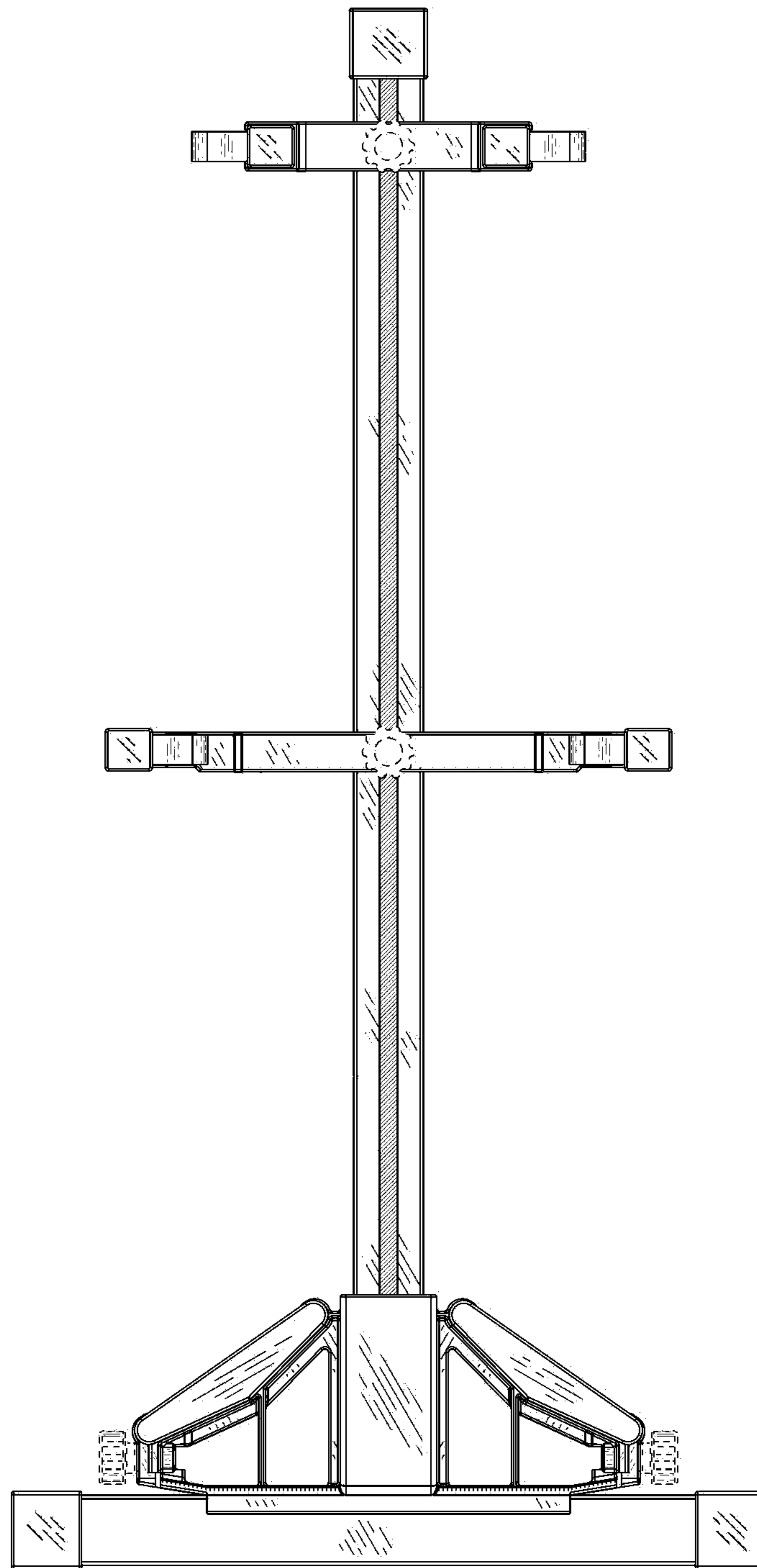


Fig. 3

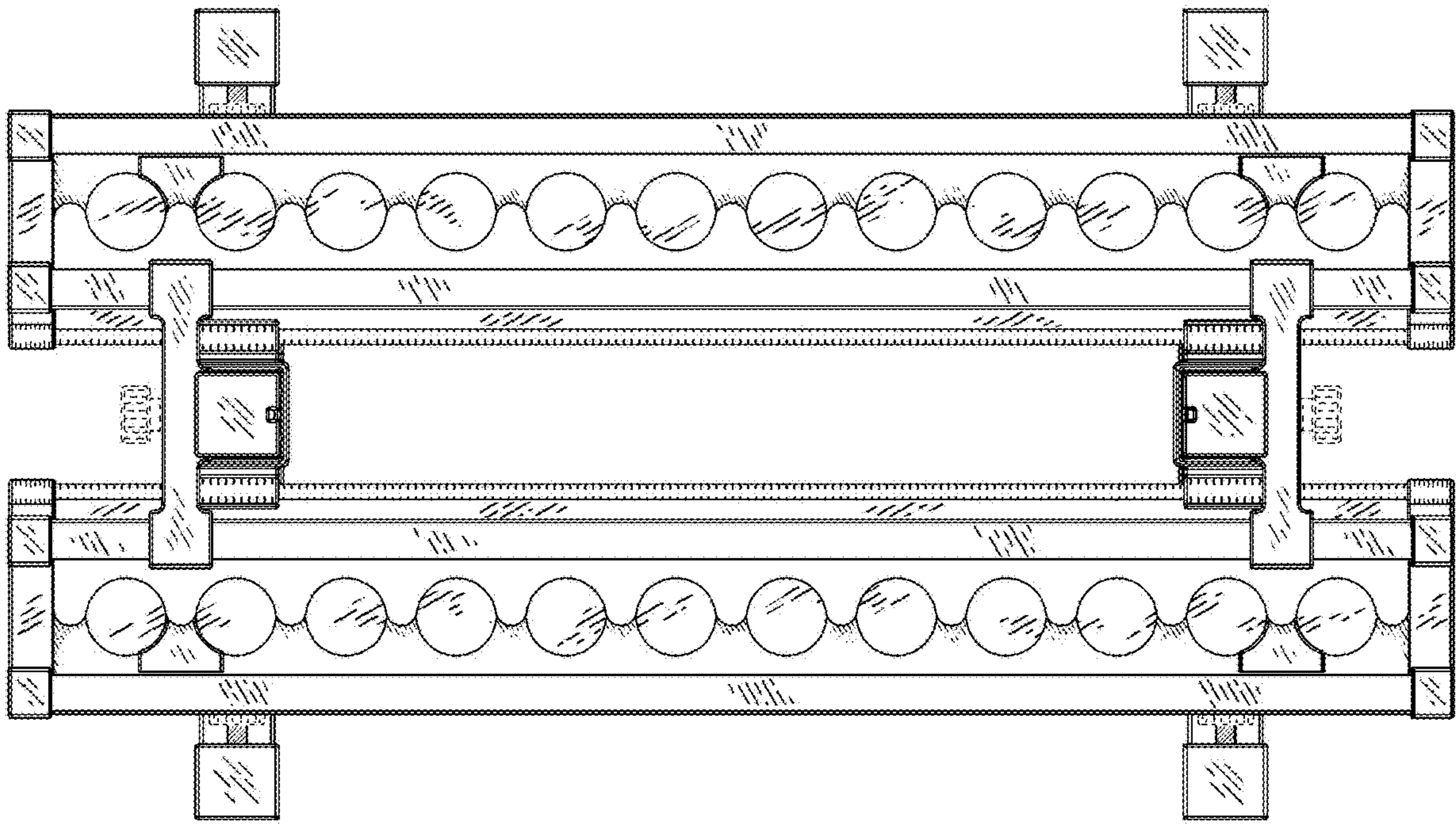


Fig. 4

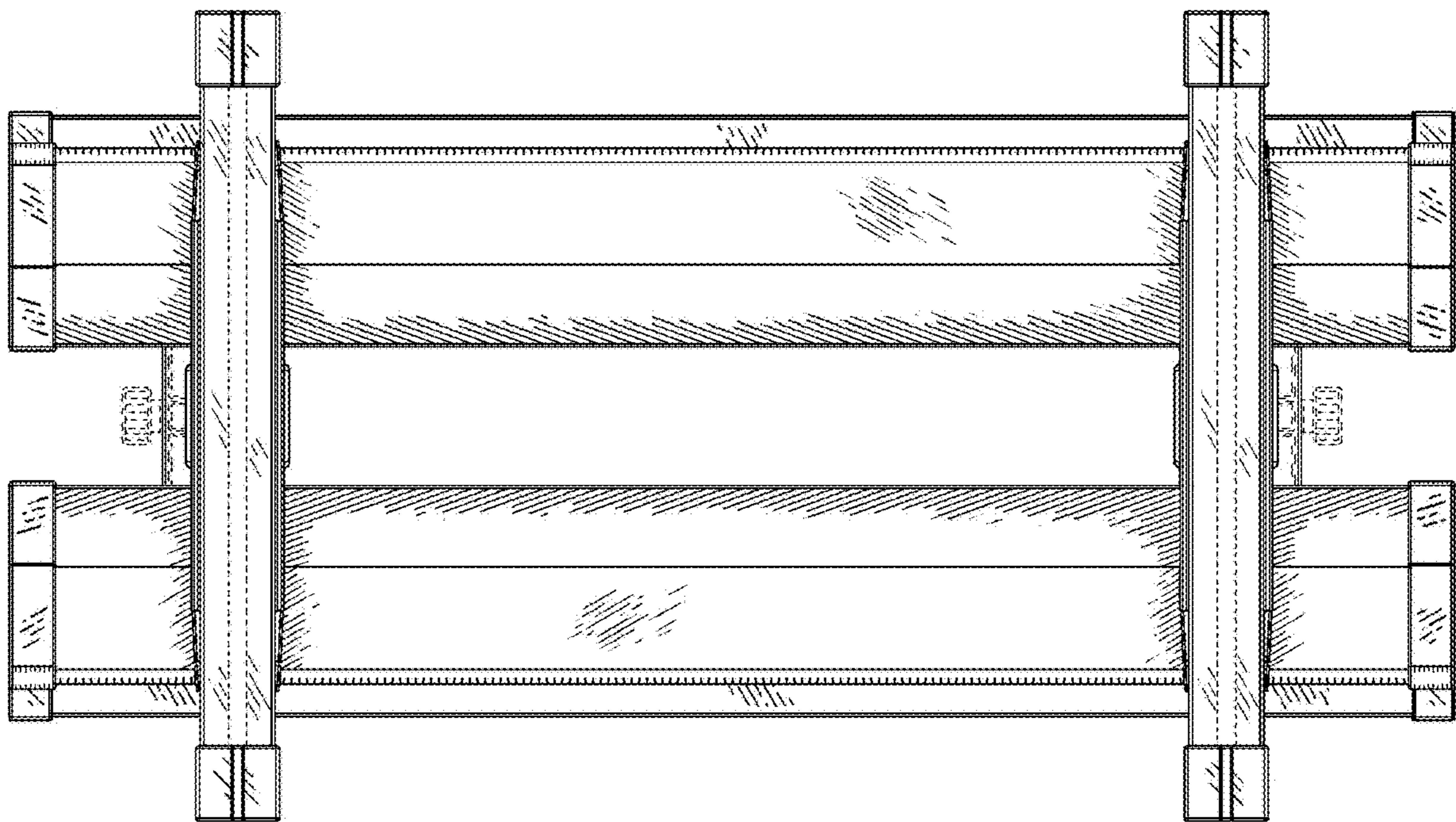


Fig. 5