



US00D941604S

(12) **United States Design Patent** (10) **Patent No.:** **US D941,604 S**
Stelmarski (45) **Date of Patent:** **** Jan. 25, 2022**

(54) **TOILET BRUSH HOLDER**

(71) Applicant: **InterDesign, Inc.**, Solon, OH (US)
(72) Inventor: **Brian Stelmarski**, Hudson, OH (US)
(73) Assignee: **InterDesign, Inc.**, Solon, OH (US)

(**) Term: **15 Years**

(21) Appl. No.: **29/756,574**

(22) Filed: **Oct. 29, 2020**

Related U.S. Application Data

(63) Continuation of application No. 29/713,381, filed on Nov. 15, 2019, now Pat. No. Des. 919,321, which is a continuation of application No. 29/662,000, filed on Aug. 31, 2018, now Pat. No. Des. 867,011, which is a continuation of application No. 29/577,592, filed on Sep. 14, 2016, now Pat. No. Des. 827,338, which is a continuation-in-part of application No. 29/571,044, filed on Jul. 14, 2016, now Pat. No. Des. 846,220, which is a continuation-in-part of application No. 29/516,882, filed on Feb. 6, 2015, now abandoned, which is a continuation-in-part of application No. 29/509,596, filed on Nov. 19, 2014, now abandoned.

(51) **LOC (13) Cl.** **04-01**

(52) **U.S. Cl.**
USPC **D6/551; D4/116**

(58) **Field of Classification Search**
USPC D6/551, 525; D8/80, 83, 94, 107, 300; 206/207, 349, 361; D32/40, 42, 46, 49, D32/51, 52; D7/541, 555, 615; 312/206, 312/207; D4/116, 100, 102, 114, 117, D4/118, 121, 130-136, 138; 4/255.05, 4/255.11; 15/21.1, 143.1, 145, 159.1, 15/160, 186-188; 132/120, 142, 313
CPC A47K 17/00; A47K 11/10; A47K 3/001; B65D 47/40; A46B 2200/304; A46B 17/02; A46B 17/06

See application file for complete search history.

(56) **References Cited**

U.S. PATENT DOCUMENTS

D256,859 S * 9/1980 Hauser D6/545
D466,700 S * 12/2002 Richmond D13/108
D516,025 S * 2/2006 Quinn D13/108
(Continued)

OTHER PUBLICATIONS

Amazon.com, InterDesign Corner Toilet Bowl Brush and Holder, Sep. 7, 2021, <https://www.amazon.com/InterDesign-Corner-Toilet-Brush-Holder/dp/B01KMVJJA/> (Year: 2021).*

Primary Examiner — Nathan M Johnston

(74) *Attorney, Agent, or Firm* — Calfee, Halter & Griswold LLP

(57) **CLAIM**

I claim the ornamental design for a toilet brush holder, as shown and described.

DESCRIPTION

FIG. 1 is a front/right/top perspective view of a toilet brush holder (a front/left/top perspective view would be a mirror image thereof);

FIG. 2 is a rear/left/bottom perspective view thereof (a rear/right/bottom perspective view would be a mirror image thereof);

FIG. 3 is a front elevational view thereof;

FIG. 4 is a rear elevational view thereof;

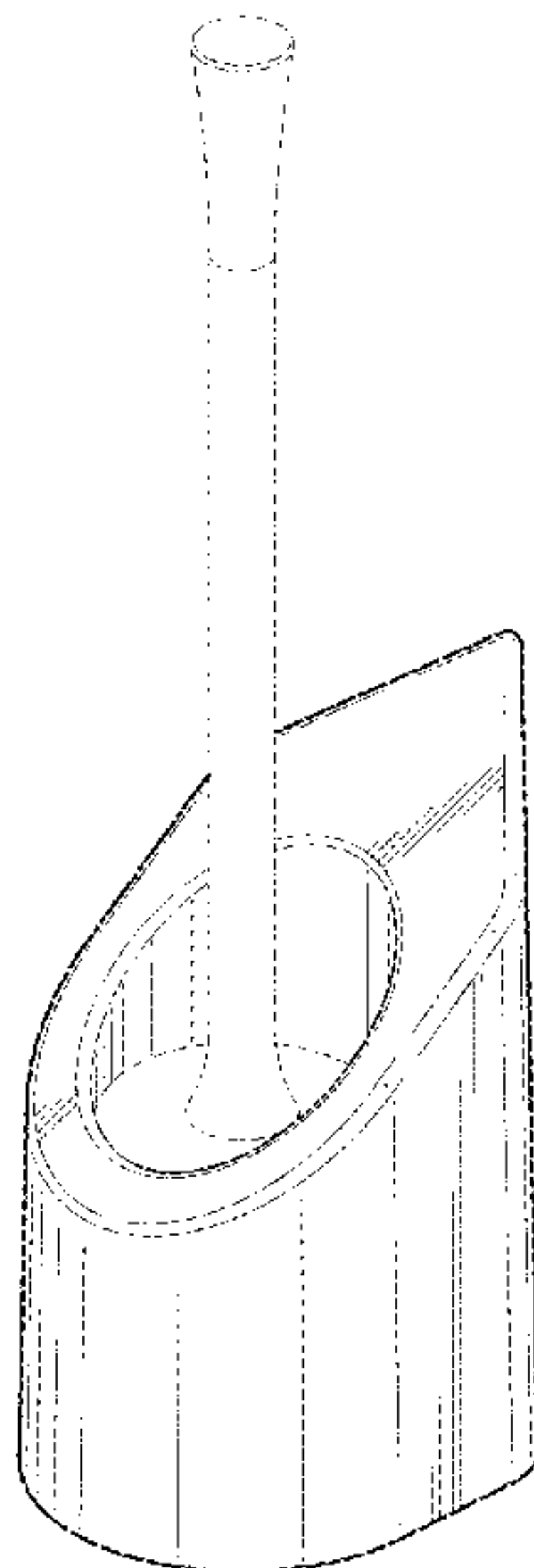
FIG. 5 is a left side elevational view thereof (a right side elevational view would be a mirror image thereof);

FIG. 6 is a top plan view thereof; and,

FIG. 7 is a bottom plan view thereof.

Some of the broken lines depict portions of the toilet brush holder that form no part of the claimed design. Other broken lines depict environment (e.g., brush handle) that also forms no part of the claimed design.

1 Claim, 6 Drawing Sheets



(56)

References Cited

U.S. PATENT DOCUMENTS

D555,087 S * 11/2007 Brefka D13/107
D621,347 S * 8/2010 Aulwes D13/108
D655,545 S * 3/2012 Bowler D6/524
D662,785 S * 7/2012 Kern D7/641
D706,549 S * 6/2014 Cho D6/524
D765,402 S * 9/2016 Libman D3/315
D773,853 S * 12/2016 Deacon D6/551
D861,902 S * 10/2019 Matsushita D24/200
2010/0140117 A1* 6/2010 Gold A47K 17/00
206/209
2013/0220370 A1* 8/2013 Yehuda E03D 9/00
134/8

* cited by examiner

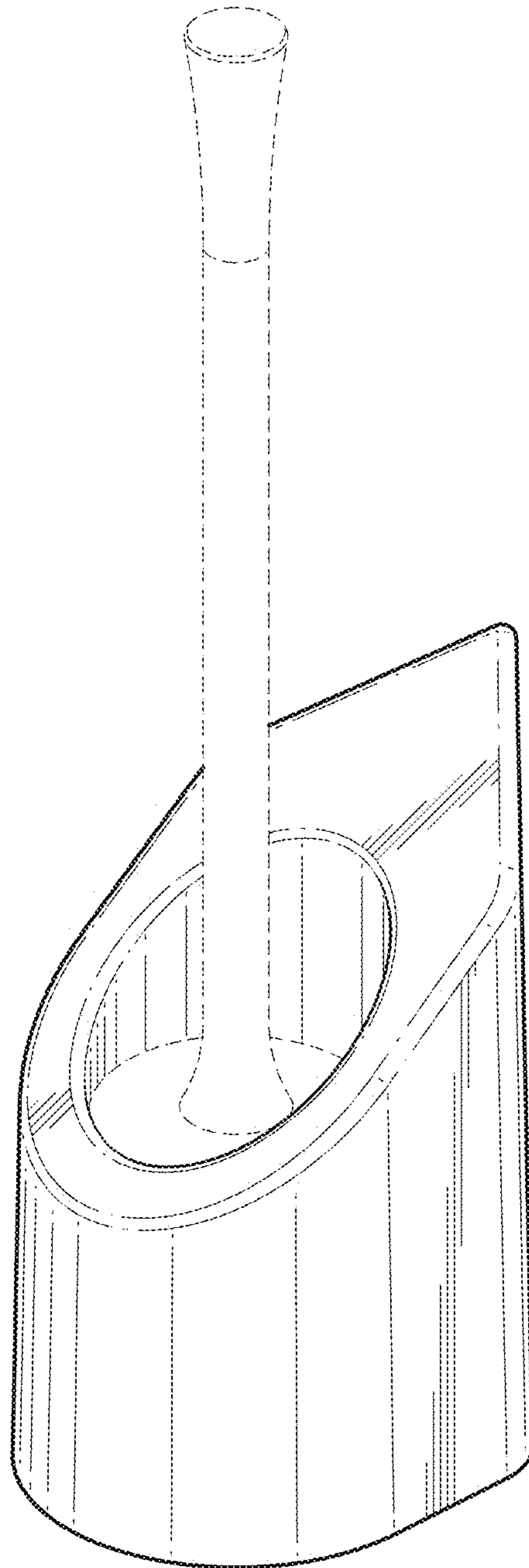


FIG. 1

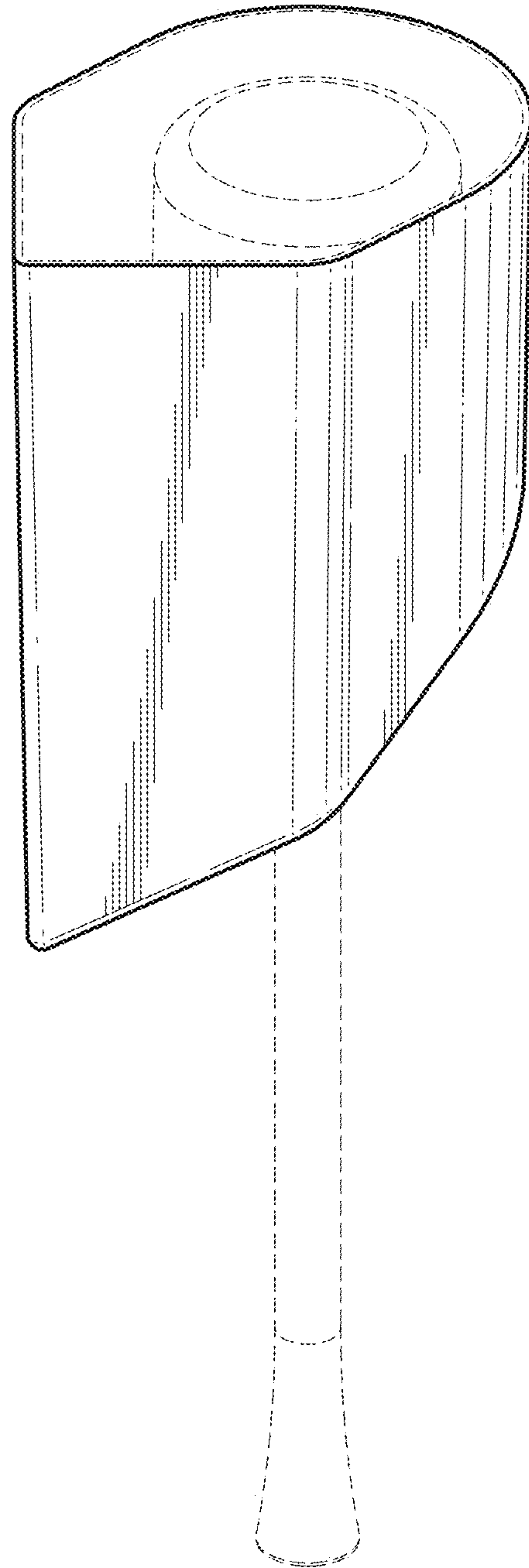


FIG. 2

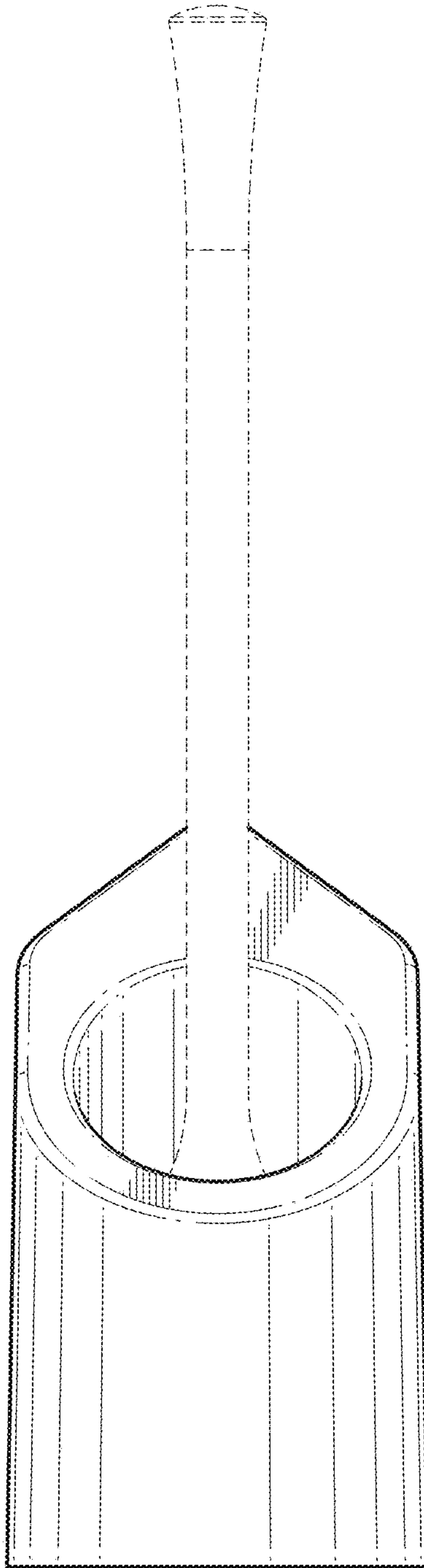


FIG. 3

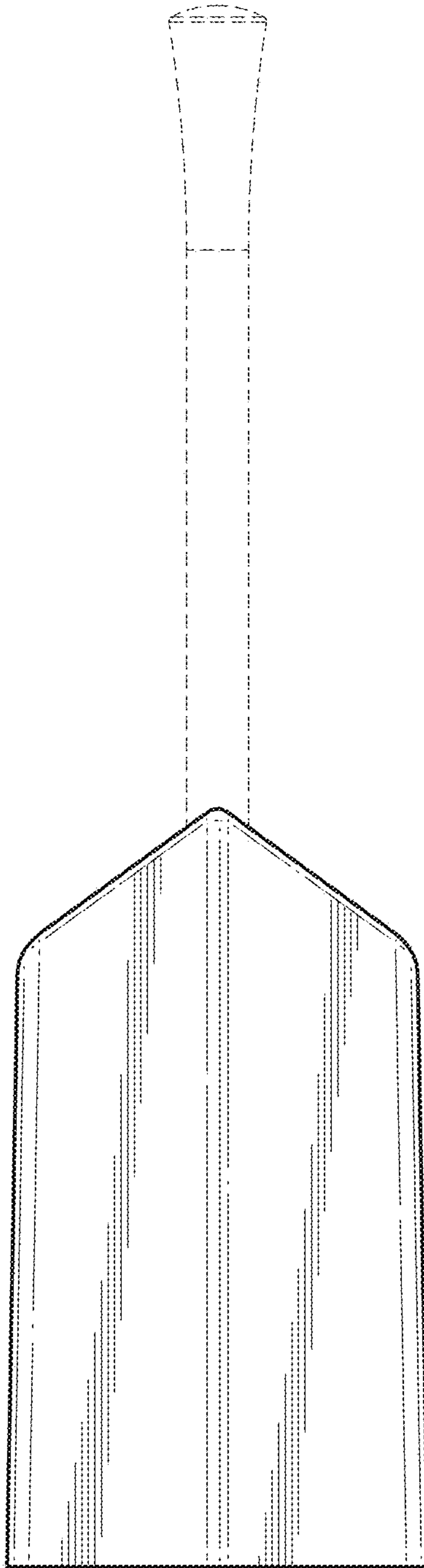


FIG. 4

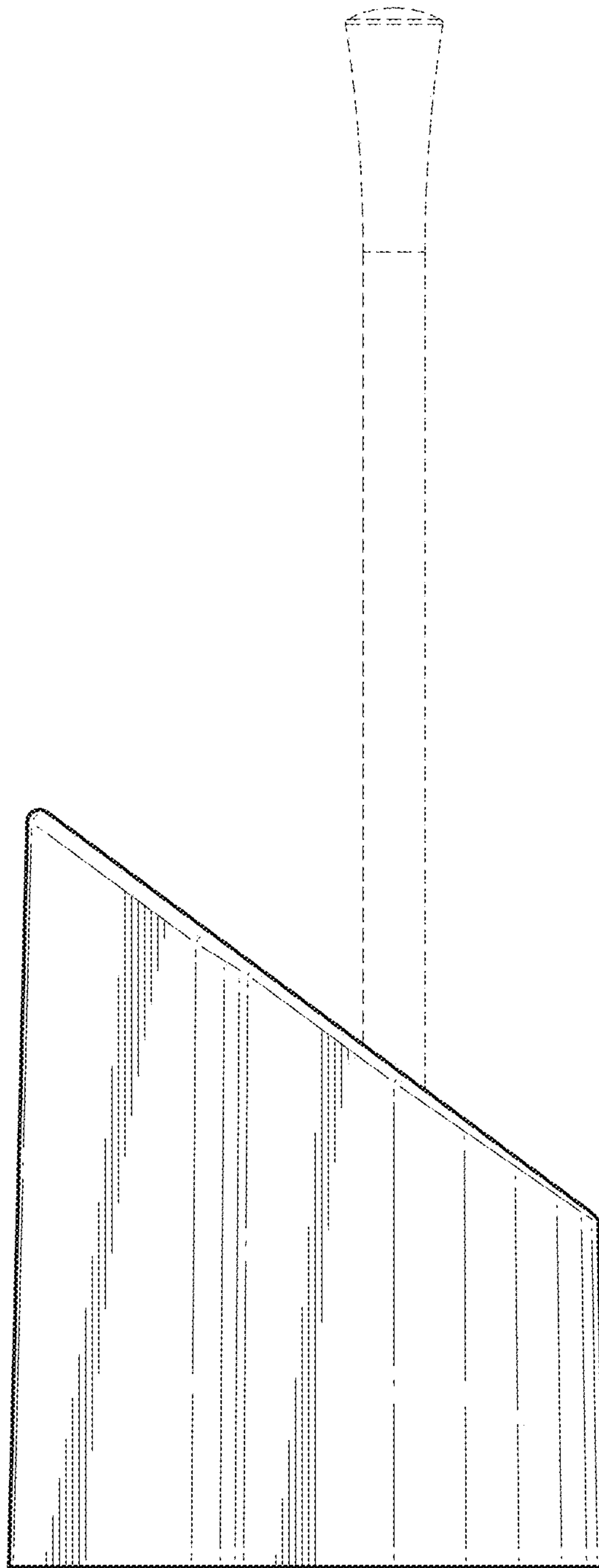


FIG. 5

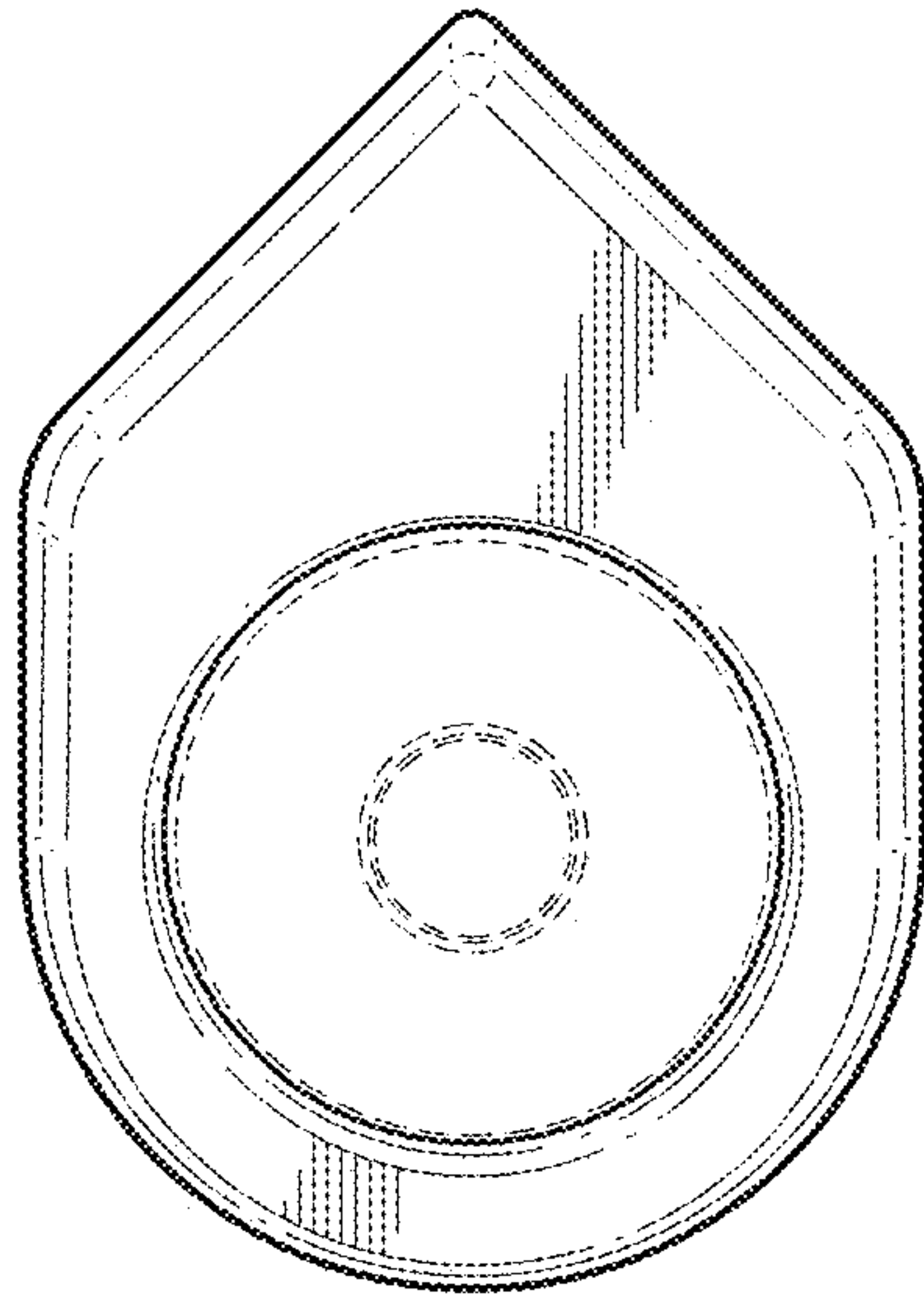


FIG. 6

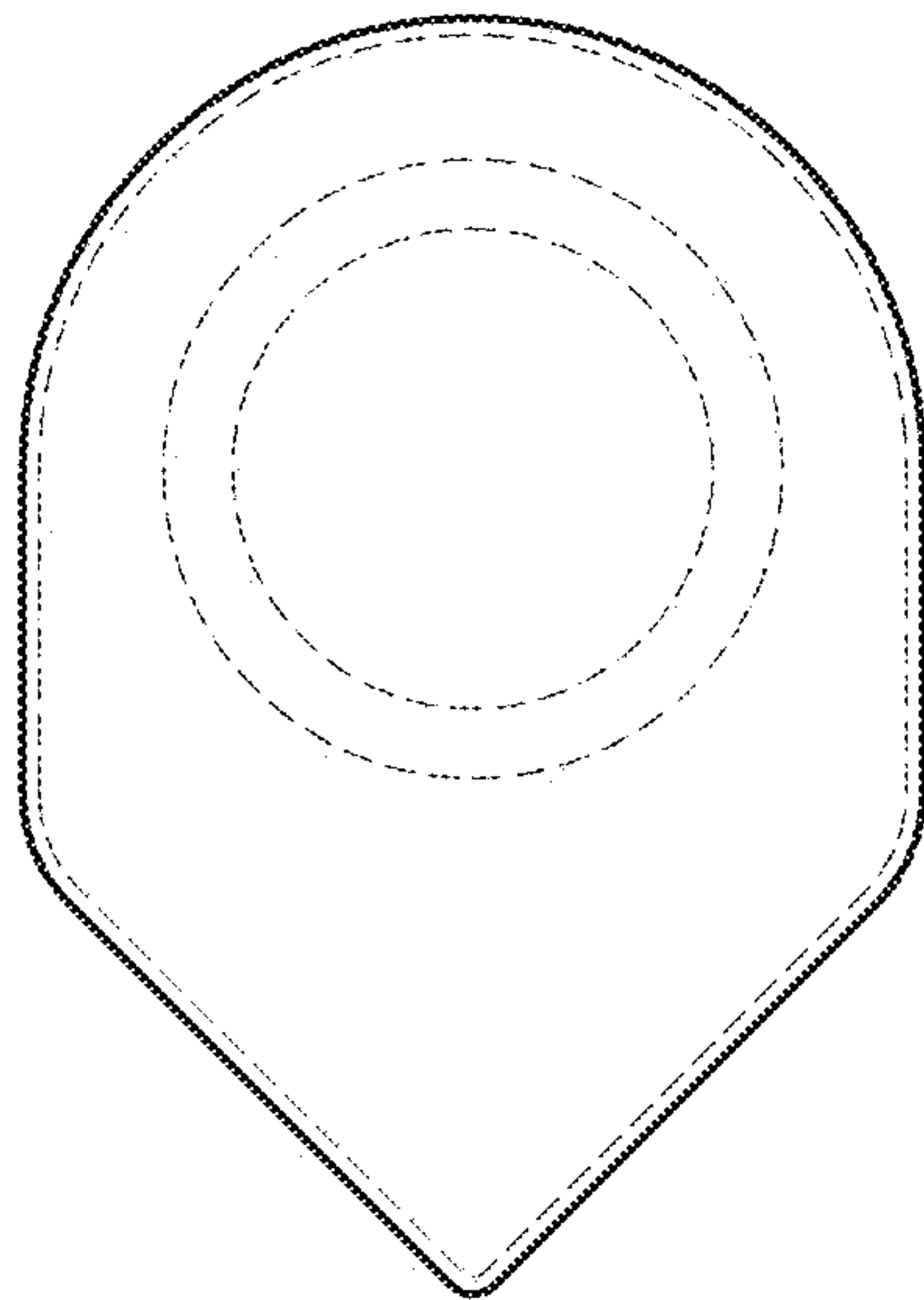


FIG. 7