

US00D941603S

(12) **United States Design Patent**
Warren

(10) **Patent No.:** **US D941,603 S**
(45) **Date of Patent:** **** Jan. 25, 2022**

- (54) **STAND**
- (71) Applicant: **InterDesign, Inc.**, Solon, OH (US)
- (72) Inventor: **Parker Jesse Warren**, Westlake, OH (US)
- (73) Assignee: **Metro Decor, LLC**, Glenwillow, OH (US)

D463,158 S * 9/2002 Lu D6/403
 6,517,035 B1 * 2/2003 Sellers A47G 7/041
 248/146
 D479,776 S * 9/2003 Rosenberg D6/403
 D484,715 S * 1/2004 Missry D6/403
 D485,449 S * 1/2004 Missry D6/405
 D744,257 S * 12/2015 Fagan A47G 7/041
 D6/403
 D898,406 S * 10/2020 Lawson D6/405

- (**) Term: **15 Years**
- (21) Appl. No.: **29/696,023**
- (22) Filed: **Jun. 25, 2019**
- (51) **LOC (13) Cl.** **11-02**
- (52) **U.S. Cl.**
USPC **D6/403**
- (58) **Field of Classification Search**
USPC D11/143-156, 164; D3/304, 313, 314;
D6/403, 404, 405, 556, 557, 558;
D7/316, 598, 428, 432, 456; D9/428,
D9/432, 456; D99/5, 19
CPC . A01G 5/04; A01G 9/02; A01G 9/021; A01G
9/022; A01G 9/026; A01G 9/027; A01G
9/029; A01G 9/033; A47G 7/00; A47G
7/02; A47G 7/04; A47G 7/041; A47G
7/044; A47G 7/047; A47G 7/06; A47G
7/063; A47G 7/08

See application file for complete search history.

(56) **References Cited**

U.S. PATENT DOCUMENTS

- 2,203,632 A * 6/1940 Munson A47B 13/06
248/146
- D343,968 S * 2/1994 Emalfarb D11/143
- D365,700 S * 1/1996 Lee D6/403
- 5,784,972 A * 7/1998 Emalfarb A47G 7/041
108/156
- D405,290 S * 2/1999 Hollinger D6/403
- D410,347 S * 6/1999 Lu D6/403

OTHER PUBLICATIONS

Overstock.com, mDesign Modern Farmhouse Home Decor Plant Stand Set, Sep. 10, 2021, <https://www.overstock.com/Home-Garden/mDesign-Modern-Farmhouse-Home-Decor-Plant-Stand-Set-3-Pieces-Set-of-3/34122399/product.html?opre=1&option=64283097> (Year: 2021).*

* cited by examiner

Primary Examiner — Nathan M Johnston
(74) *Attorney, Agent, or Firm* — Calfee, Halter & Griswold LLP

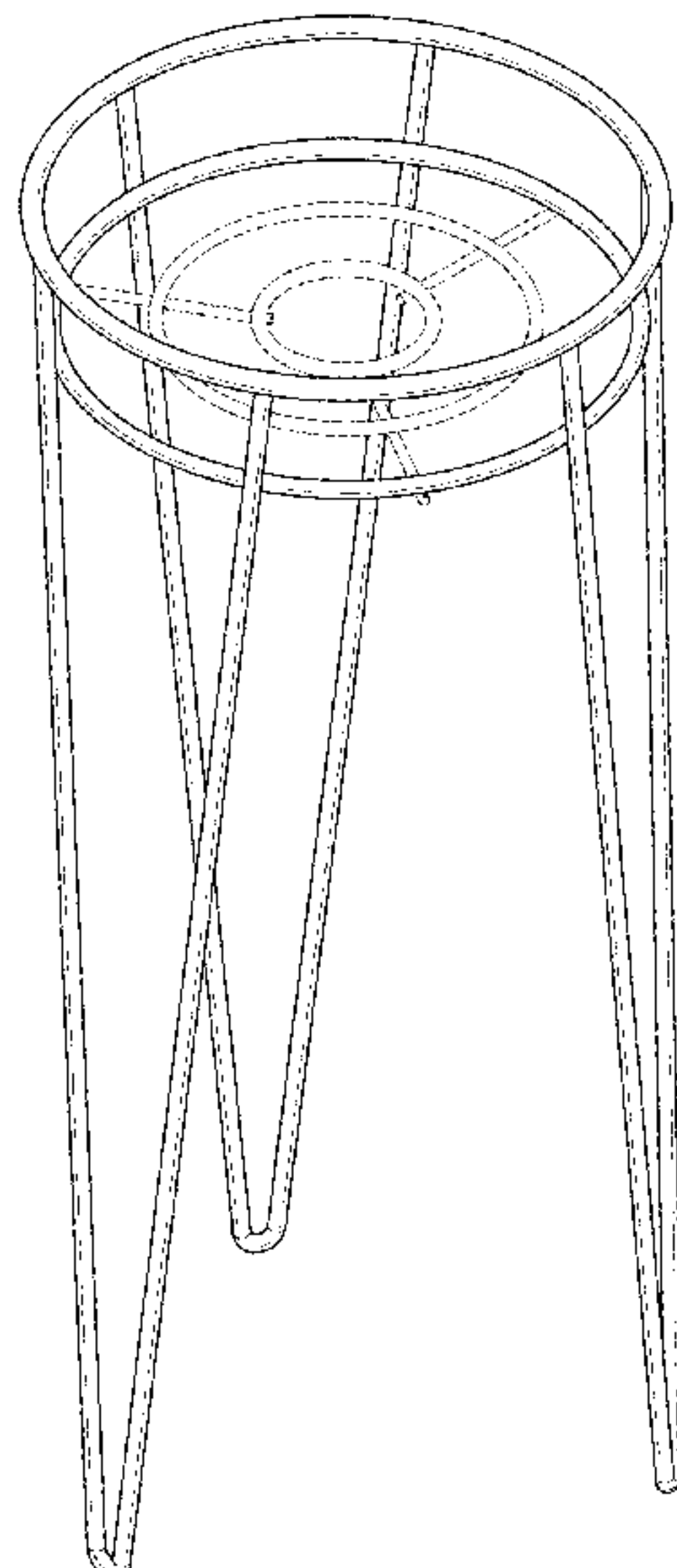
(57) **CLAIM**

I claim the ornamental design for a stand, as shown and described.

DESCRIPTION

FIG. 1 is a front/right/top perspective view of a stand; FIG. 2 is a rear/left/bottom perspective view thereof; FIG. 3 is a front elevational view thereof; FIG. 4 is a rear elevation view thereof; FIG. 5 is a left side elevational view thereof; FIG. 6 is a right side elevational view thereof; FIG. 7 is a top plan view thereof; and, FIG. 8 is a bottom plan view thereof. The broken lines show portions of the stand that form no part of the claimed design.

1 Claim, 7 Drawing Sheets



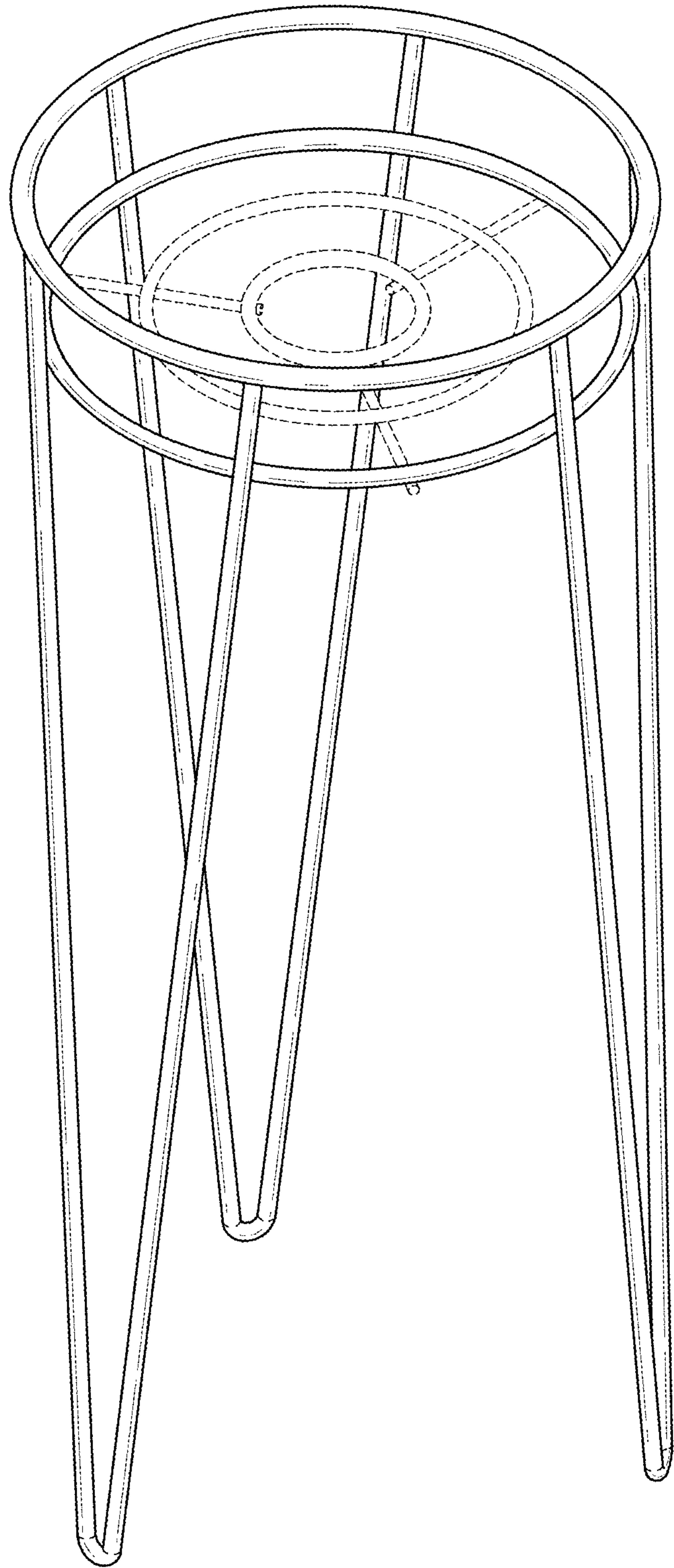


FIG. 1

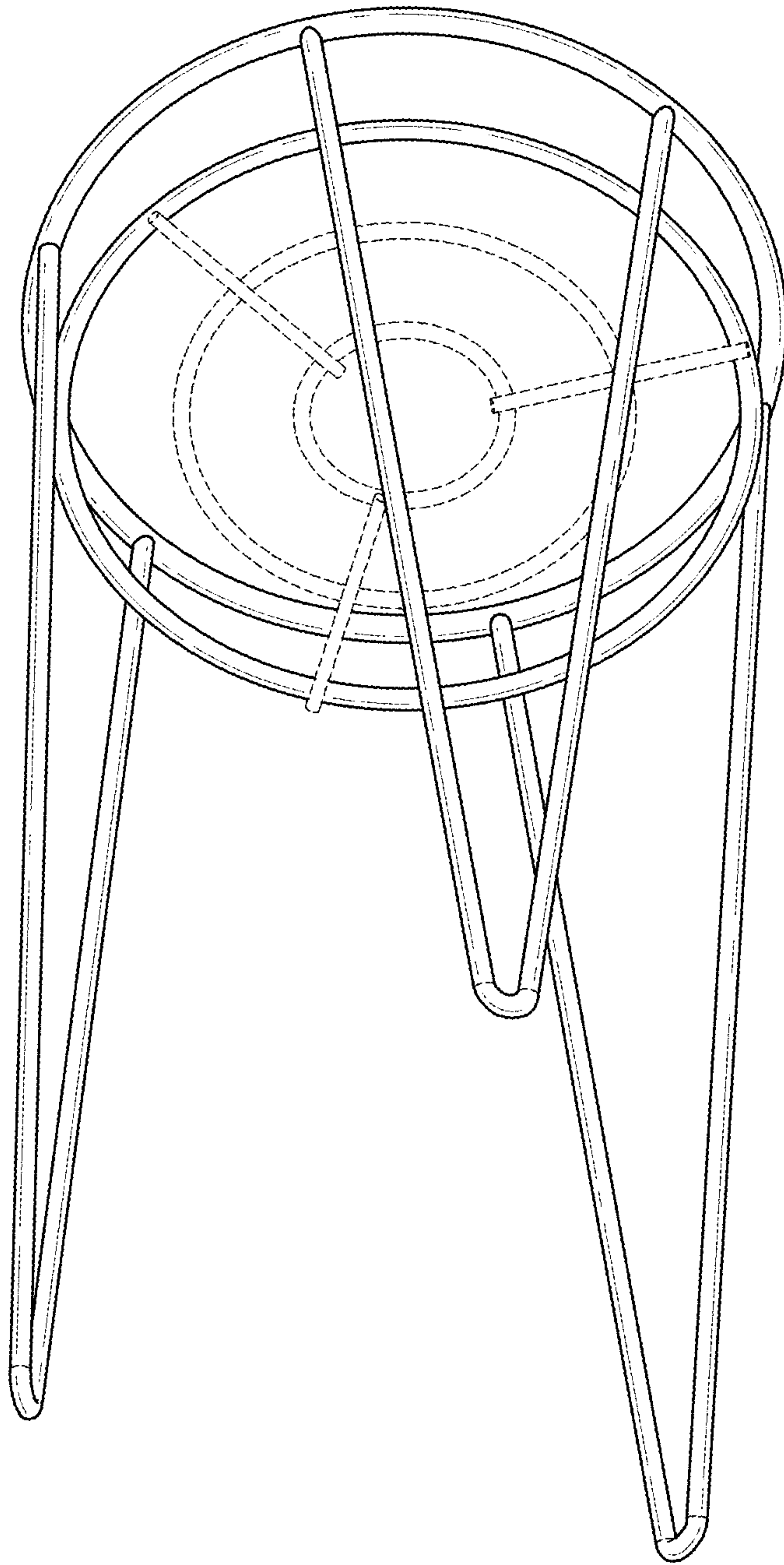


FIG. 2

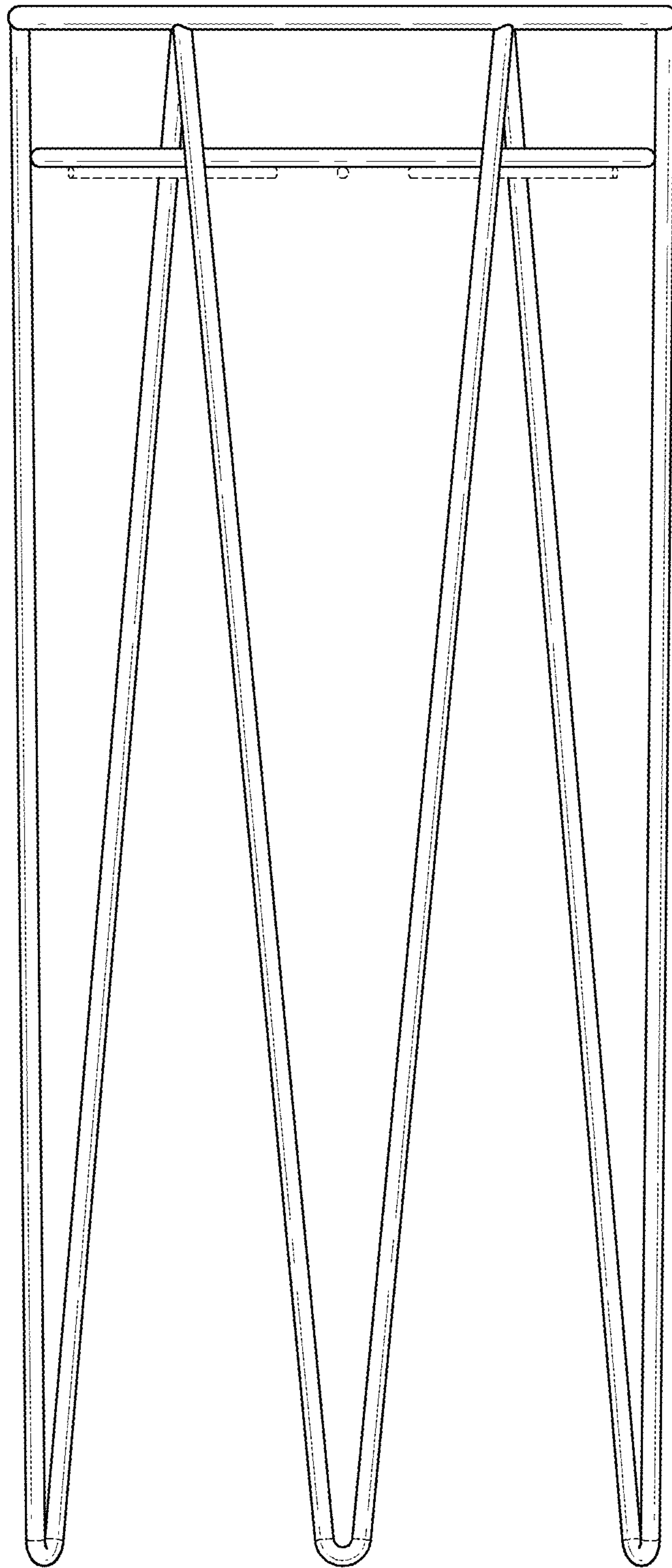


FIG. 3

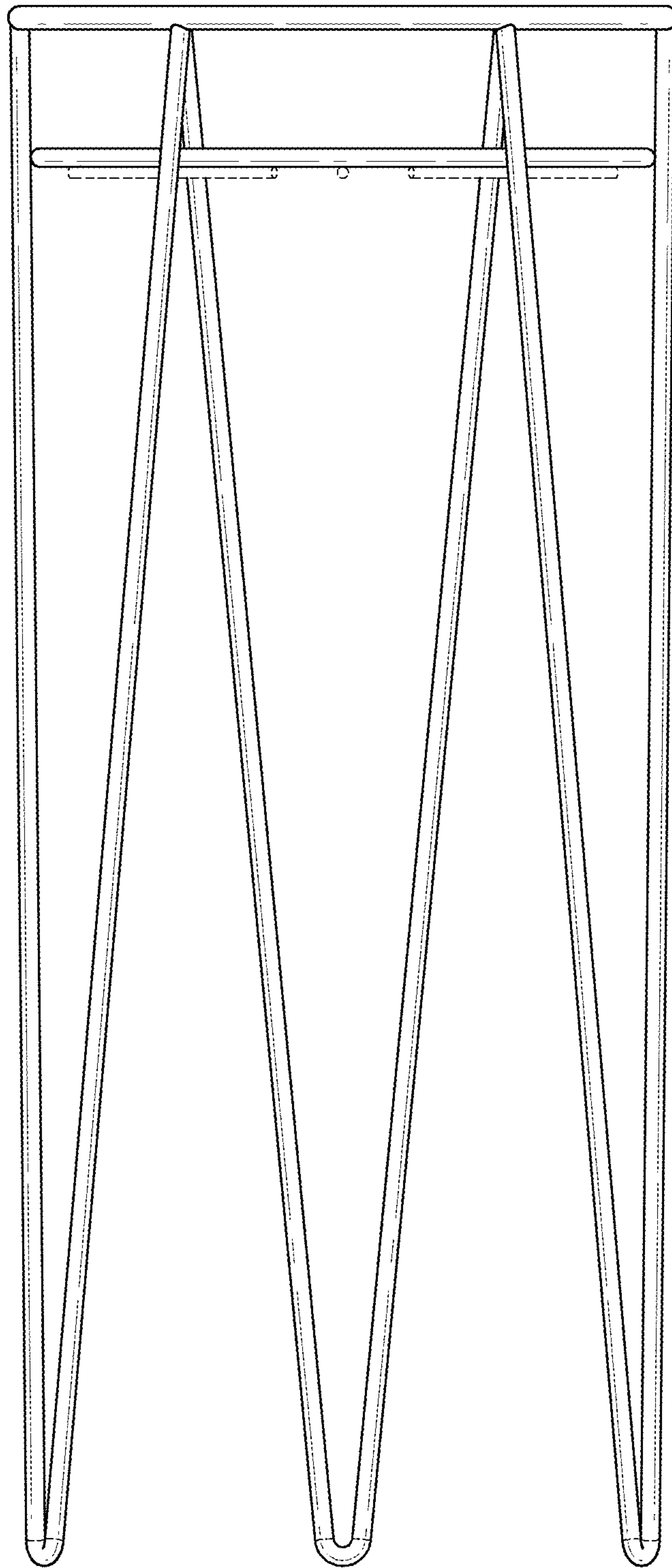


FIG. 4

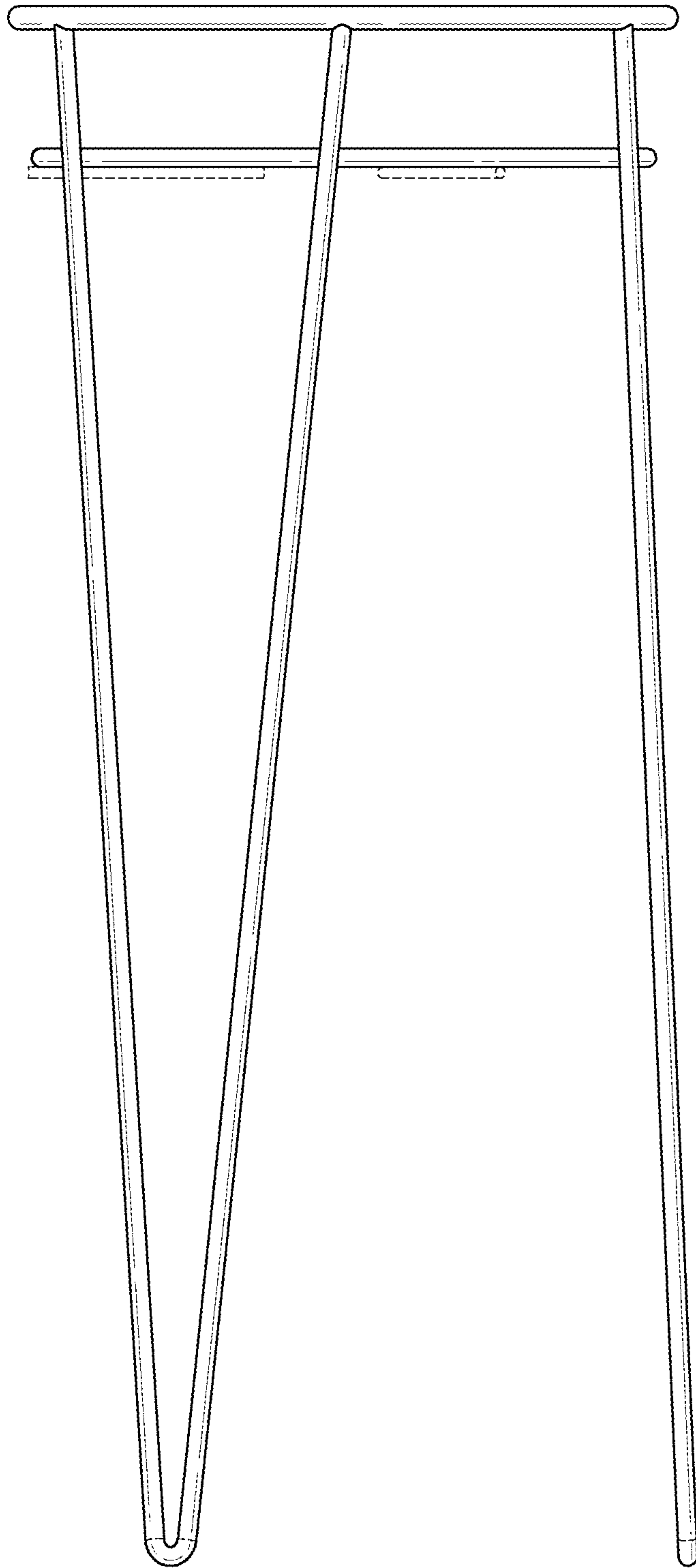


FIG. 5

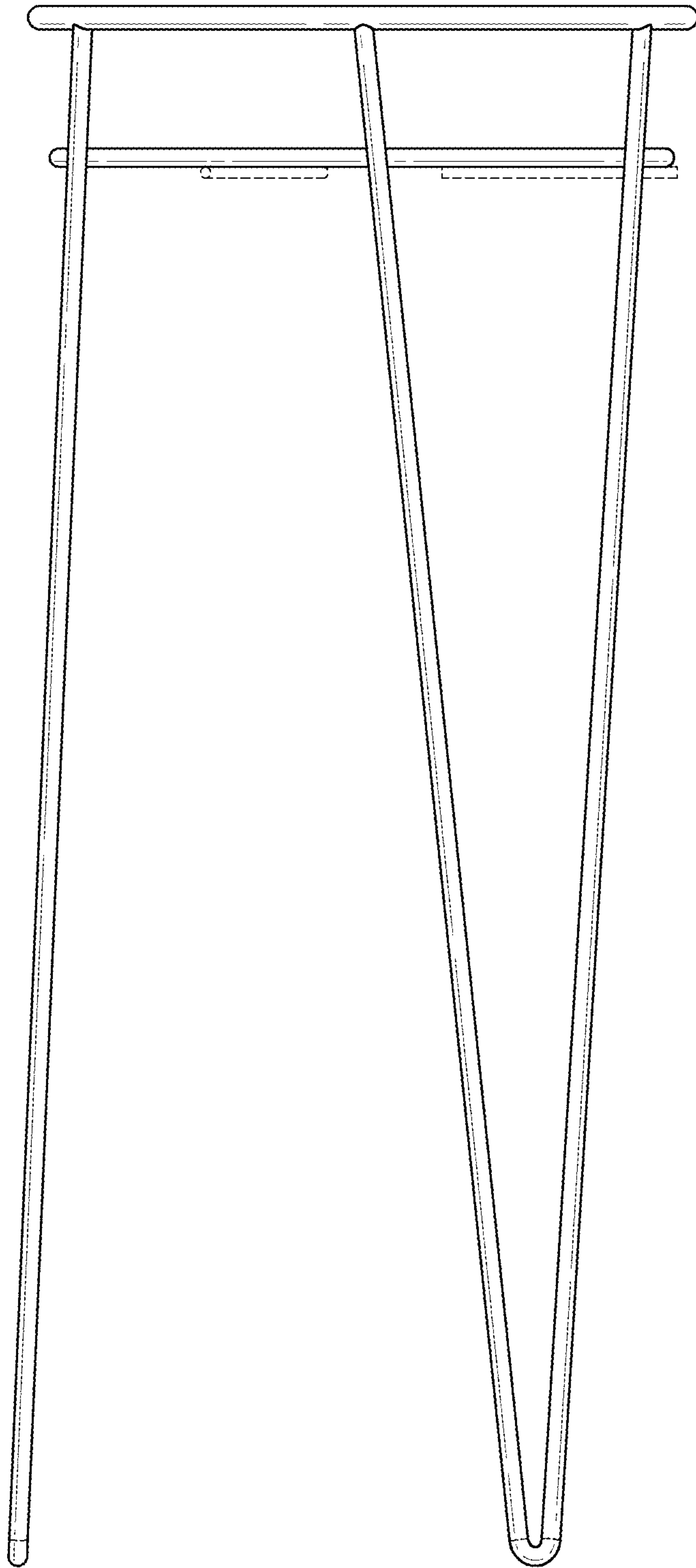


FIG. 6

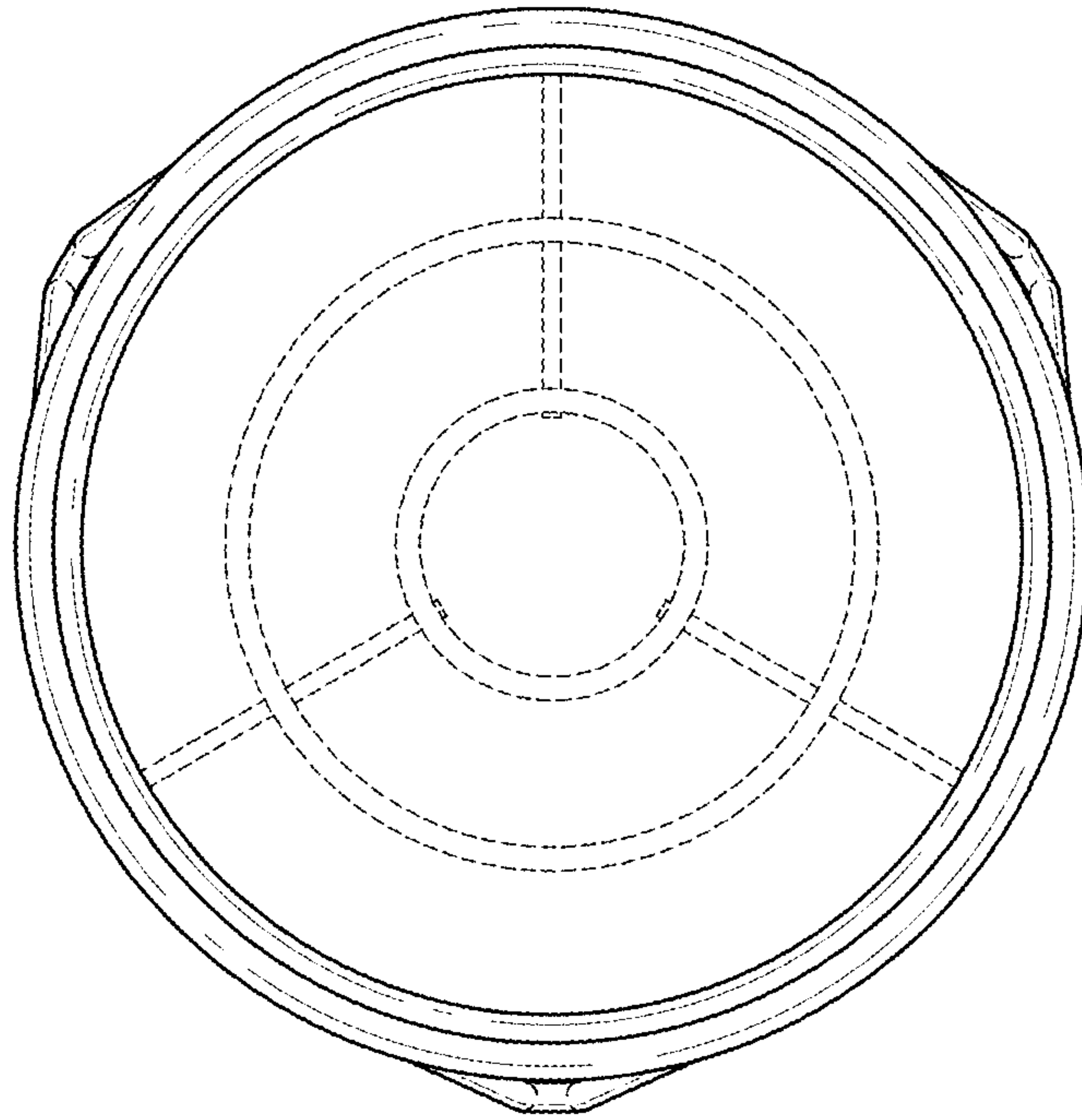


FIG. 7

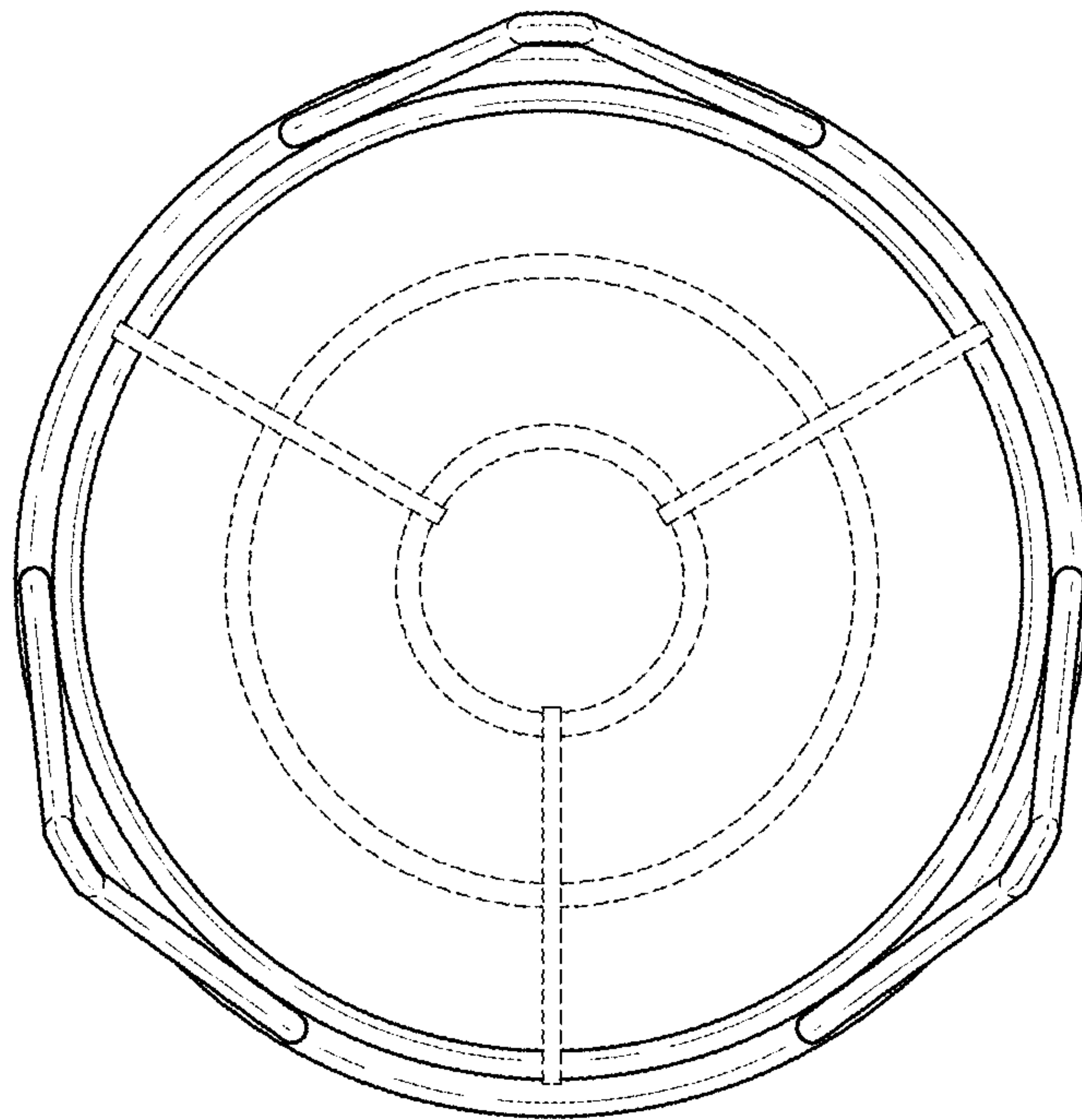


FIG. 8