



US00D941600S

(12) **United States Design Patent** (10) **Patent No.:** **US D941,600 S**
Sullivan et al. (45) **Date of Patent:** **** *Jan. 25, 2022**

(54) **PORTABLE CHAIR**

(71) Applicant: **YETI Coolers, LLC**, Austin, TX (US)

(72) Inventors: **Derek G. Sullivan**, Austin, TX (US);
Andrew J. Winterhalter, Austin, TX (US); **John W. Dow**, Austin, TX (US);
Donald Edward Desroches, Austin, TX (US)

(73) Assignee: **YETI Coolers, LLC**, Austin, TX (US)

(*) Notice: This patent is subject to a terminal disclaimer.

(**) Term: **15 Years**

(21) Appl. No.: **29/770,890**

(22) Filed: **Feb. 17, 2021**

Related U.S. Application Data

(63) Continuation of application No. 29/676,771, filed on Jan. 14, 2019, now Pat. No. Des. 912,423.

(51) **LOC (13) Cl.** **06-01**

(52) **U.S. Cl.**
USPC **D6/368**

(58) **Field of Classification Search**

USPC D6/29, 334, 367-376, 358-366, 353,
D6/335-340, 352, 377-383, 392-395,
D6/710-712, 716, 716.1, 716.2, 716.3,
D6/708.24, 716.4, 716.5; 297/440.1,
297/440.21, 452.14

CPC .. A47C 11/00; A47C 4/02; A47C 4/03; A47C
4/08; A47C 4/024; A47C 4/025; A47C
4/028; A47C 5/04; A47C 7/16; A47C
5/12; A47C 7/36; A47C 7/40; A47C
9/007; A47C 13/023; A47C 5/08; A47C
17/175; A47C 13/005; A47C 11/005;
A47C 4/021; A47C 4/286; A47C 1/14;
F16B 5/0012; A47B 47/0075; A47B 3/06

See application file for complete search history.

(56) **References Cited**

U.S. PATENT DOCUMENTS

2,088,644 A 8/1937 Erpelding et al.
3,736,021 A 5/1973 MacLaren

(Continued)

FOREIGN PATENT DOCUMENTS

BE 484542 A 5/1854
CN 2102679 U 4/1992

(Continued)

OTHER PUBLICATIONS

US 6,214,270 B1, 04/2001, Branum (withdrawn)
Alpha Camp, Oversized Camping Folding Chair, Date first available Jan. 8, 2018, [online] retrieved Mar. 8, 2020, available from https://www.amazon.com/ALPHA-CAMP-Oversized-Collapsible-Portable/dp/B0759V8NWK/ref=sr_1_55_sspa?crd=156UFWOJUVC8&dchild=1&keywords=portable+beach+chairs&qid=1591033770&sprefix=p (Year: 2018).*

(Continued)

Primary Examiner — Keli L Hill

Assistant Examiner — Sara S Sahneh

(74) *Attorney, Agent, or Firm* — Banner & Witcoff, Ltd.

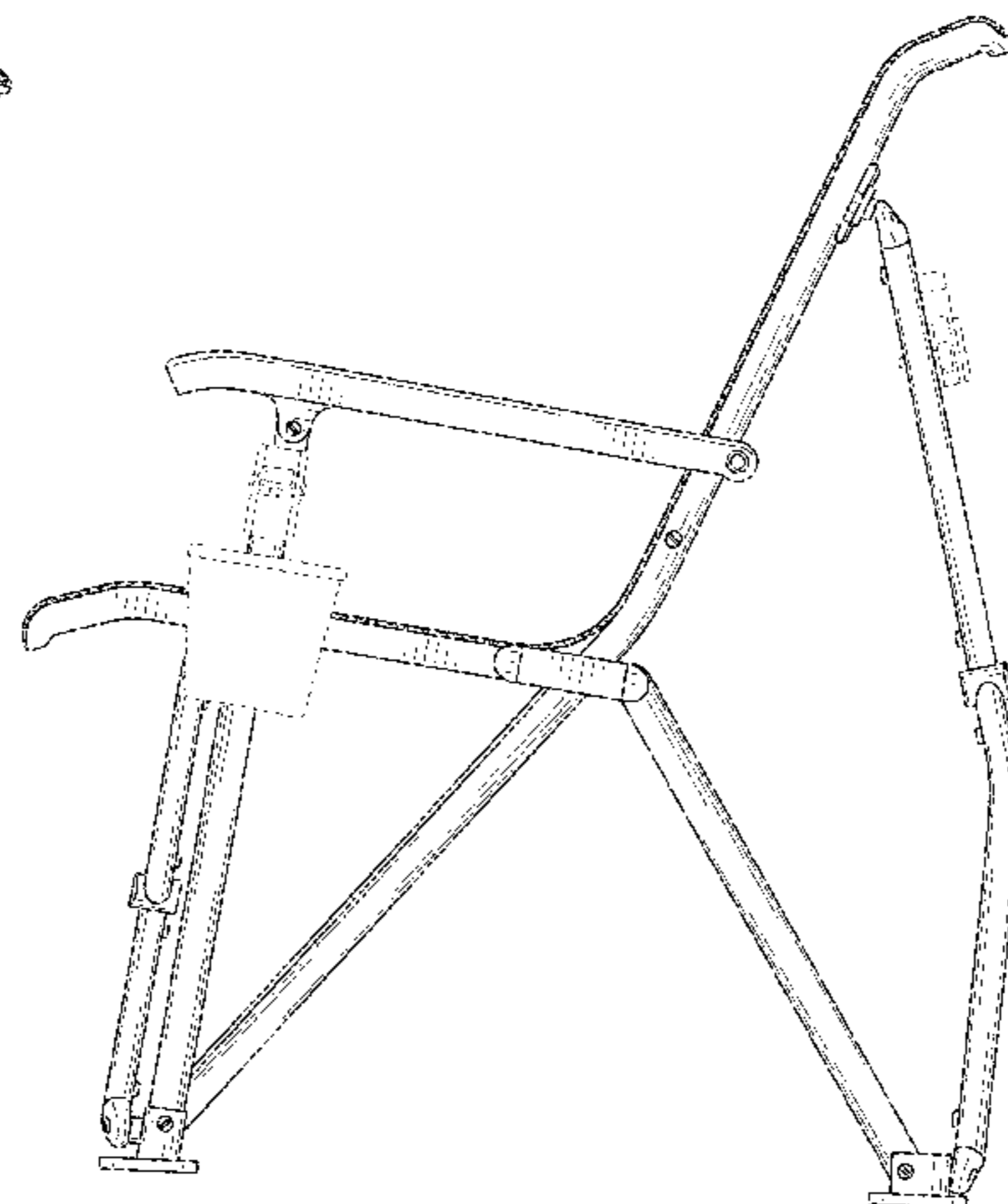
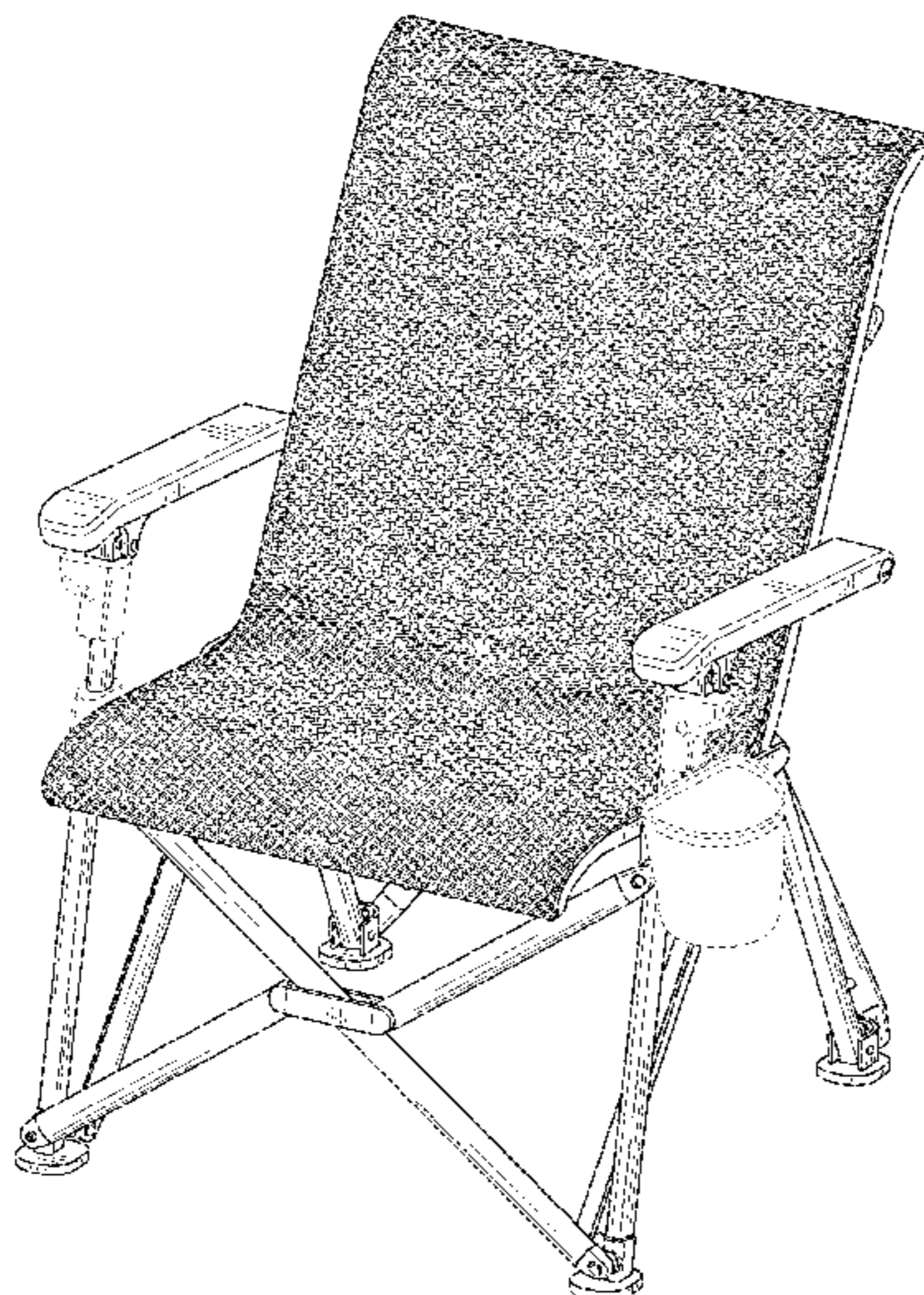
(57) **CLAIM**

The ornamental design for a portable chair, as shown and described.

DESCRIPTION

FIG. 1 is a top, front, right perspective view of a portable chair showing our new design;
FIG. 2 is a front view thereof;
FIG. 3 is a rear view thereof;
FIG. 4 is a right side view thereof;
FIG. 5 is a left side view thereof;
FIG. 6 is a top view thereof; and,
FIG. 7 is a bottom view thereof.
The broken lines immediately adjacent to the shaded area define the bounds of the claimed design and form no part thereof. The broken lines depicting the remainder of the portable chair form no part of the claimed design.

1 Claim, 7 Drawing Sheets



(56)

References Cited

U.S. PATENT DOCUMENTS

3,881,739 A 5/1975 Laune
 4,029,279 A 6/1977 Nakatani
 4,077,641 A 3/1978 Perego et al.
 4,122,227 A 10/1978 Dean
 4,216,974 A 8/1980 Kassai
 4,232,897 A 11/1980 Maclaren et al.
 4,335,893 A 6/1982 Carmichael et al.
 4,469,739 A 9/1984 Gretzinger et al.
 4,545,599 A 10/1985 Kassai
 4,596,484 A 6/1986 Nakatani
 4,761,092 A 8/1988 Nakatani
 4,932,622 A 6/1990 Hayakawa
 5,058,950 A 10/1991 Mann
 5,106,678 A 4/1992 Abu-Isa
 5,348,415 A 9/1994 Carlsson
 5,397,627 A 3/1995 Dunbar et al.
 5,769,447 A 6/1998 Huang
 5,775,352 A 7/1998 Obitts
 5,819,999 A 10/1998 Tennant
 5,851,052 A 12/1998 Gustafsson
 5,863,061 A 1/1999 Ziegler et al.
 5,888,915 A 3/1999 Denton et al.
 5,927,798 A 7/1999 Ahn
 5,955,385 A 9/1999 Schobesberger et al.
 6,082,813 A 7/2000 Chen
 D431,382 S * 10/2000 Eloge D6/368
 D432,325 S * 10/2000 Zheng D6/368
 6,247,749 B1 6/2001 Yu
 6,270,156 B1 8/2001 Metzger et al.
 6,287,690 B1 9/2001 Land
 D455,897 S 4/2002 Jones
 6,371,553 B1 4/2002 Tang
 6,402,230 B1 6/2002 Tang
 6,419,311 B1 7/2002 Tang
 6,454,348 B1 * 9/2002 Wu A47C 4/286
 297/16.2
 6,471,287 B1 10/2002 Liu
 6,536,723 B1 3/2003 Nakatani
 6,598,841 B2 7/2003 Erickson et al.
 6,601,912 B1 * 8/2003 Chen A47C 4/286
 297/38
 6,629,722 B1 10/2003 Tang
 6,644,731 B2 11/2003 Tang
 D485,061 S 1/2004 Noell et al.
 6,705,070 B2 3/2004 Schwartz
 D500,605 S * 1/2005 Schmidt D6/336
 6,840,574 B1 1/2005 Wu
 6,869,679 B1 3/2005 Negola
 6,908,249 B2 6/2005 Tomm
 6,913,231 B2 7/2005 Speggiorin
 7,017,985 B2 3/2006 Chen
 7,100,975 B1 9/2006 Zheng
 D532,621 S 11/2006 Lin
 7,157,388 B2 1/2007 Langley et al.
 7,201,024 B2 4/2007 Hirayama et al.
 7,219,955 B2 5/2007 Lu et al.
 7,247,585 B2 7/2007 Bascom et al.
 7,300,691 B2 11/2007 Callaway et al.
 7,458,642 B1 12/2008 Spicer
 7,500,715 B1 3/2009 Chen
 7,641,276 B1 1/2010 Chen
 D612,624 S 3/2010 Lovley et al.
 7,682,994 B2 3/2010 Van Emden et al.
 7,696,110 B2 4/2010 Taniguchi et al.
 7,851,390 B2 12/2010 Salzmann et al.
 7,887,131 B2 2/2011 Chadwick et al.
 7,892,989 B2 2/2011 Schwartz et al.
 8,100,429 B2 1/2012 Longenecker et al.
 8,104,838 B2 1/2012 Tsai
 D660,585 S 5/2012 McDonald et al.
 8,207,071 B2 6/2012 Susa et al.
 8,251,442 B2 8/2012 Grace
 8,459,741 B2 6/2013 Mazzola et al.
 8,460,790 B2 6/2013 Ochi et al.
 D685,584 S 7/2013 Ammann, Jr.

8,506,865 B2 8/2013 Wangenheim
 8,678,490 B2 3/2014 Chen
 8,696,052 B2 4/2014 Zhu
 8,714,643 B2 5/2014 Obolewicz et al.
 8,727,655 B2 5/2014 Lu et al.
 8,820,497 B1 9/2014 Goldsmith et al.
 8,820,825 B2 9/2014 Yang
 8,864,222 B2 10/2014 Grace
 8,979,192 B2 3/2015 Miller
 9,095,216 B2 8/2015 Miller
 9,121,131 B2 9/2015 Underwood et al.
 9,315,926 B2 4/2016 Date et al.
 9,451,829 B2 9/2016 Chen
 9,545,773 B2 1/2017 Hansen
 D783,296 S * 4/2017 Robinson D6/335
 9,771,675 B2 9/2017 Altshuler et al.
 D806,423 S * 1/2018 Silva D6/368
 9,913,537 B2 3/2018 Piretti
 9,974,388 B1 5/2018 Lv
 9,993,082 B2 6/2018 Choi
 9,993,083 B2 6/2018 Choi
 10,104,971 B1 10/2018 Yang
 10,292,503 B2 5/2019 Brown
 10,321,750 B2 6/2019 Solomon et al.
 D855,343 S 8/2019 Haingaertner
 10,631,619 B2 4/2020 Alphin
 D888,425 S 6/2020 Wang
 10,758,054 B2 9/2020 Wang
 D902,617 S * 11/2020 Sullivan D6/368
 D911,057 S * 2/2021 Jacobsen D6/368
 D922,790 S 6/2021 Wang
 2003/0025360 A1 2/2003 Liu
 2003/0025361 A1 2/2003 Liu
 2006/0186712 A1 8/2006 Lu et al.
 2007/0228780 A1 10/2007 Grace
 2009/0146468 A1 6/2009 Schneider
 2009/0174230 A1 7/2009 Chen
 2010/0032998 A1 2/2010 Eckman et al.
 2010/0171342 A1 7/2010 Chen
 2010/0295338 A1 11/2010 Crowe
 2010/0314914 A1 12/2010 Mazzola et al.
 2011/0169305 A1 7/2011 Ayre et al.
 2014/0097647 A1 4/2014 Grace
 2014/0217784 A1 8/2014 Chen
 2014/0227474 A1 8/2014 Cramer
 2014/0252817 A1 9/2014 Lovley, II et al.
 2014/0306493 A1 10/2014 Obolewicz et al.
 2015/0038040 A1 2/2015 Gabbay
 2015/0360159 A1 12/2015 Lee et al.
 2016/0081479 A1 3/2016 Lin
 2016/0100688 A1 4/2016 Grace
 2016/0135600 A1 5/2016 Chen
 2017/0202355 A1 7/2017 Reed
 2017/0311723 A1 11/2017 Lenhart
 2018/0002839 A1 1/2018 Liao et al.
 2018/0073169 A1 3/2018 Chou
 2018/0245248 A1 8/2018 Buffington et al.
 2019/0090644 A1 * 3/2019 Mason A47C 4/54
 2019/0090667 A1 3/2019 Mason et al.
 2019/0104850 A1 * 4/2019 Frankel A47C 4/286
 2019/0216222 A1 7/2019 Winterhalter et al.
 2019/0298066 A1 10/2019 Zhu et al.
 2021/0059418 A1 * 3/2021 Reed, II A47C 7/748

FOREIGN PATENT DOCUMENTS

CN 201001527 Y 1/2008
 CN 201492050 U 6/2010
 CN 301297394 8/2010
 CN 102230248 A 11/2011
 CN 301800654 1/2012
 CN 202236165 U 5/2012
 CN 202515069 U 11/2012
 CN 202858412 U 4/2013
 CN 302684929 12/2013
 CN 104643681 A 5/2015
 CN 105615364 A 6/2016
 CN 303763101 * 8/2016
 CN 106617546 A 5/2017

(56)

References Cited

FOREIGN PATENT DOCUMENTS

CN	107348734	A	11/2017
CN	304686840	*	1/2018
CN	207349221	U	5/2018
CN	207421059	U	5/2018
CN	207653880	U	7/2018
CN	304803670		9/2018
CN	305151099	*	9/2018
CN	208708874	U	4/2019
CN	305151099		5/2019
CN	305730506	*	11/2019
CN	305730506		4/2020
CN	306305745	*	7/2020
DE	1080176	B	4/1960
DE	1267945	B	5/1968
EP	2108284	A1	10/2009
EP	2123198	A1	11/2009
EP	2145036	A1	1/2010
EP	2674629	A2	12/2013
ES	279347	A1	1/1963
GB	4025689	*	7/2012
GB	6117897		2/2021
JP	2010099238	A	5/2010
JP	D1550241		5/2019
JP	D1550242		5/2019
KR	300686541.0000		3/2013
KR	20170099158	A	8/2017
KR	300993886.0000		2/2019
KR	300993887.0000		2/2019
KR	301091620.0000	*	1/2020
NL	1001847	C1	6/1997
WO	0040122	A1	7/2000

WO	13029089	A1	3/2013
WO	2016150254	A1	9/2016
WO	17133369	A1	8/2017

OTHER PUBLICATIONS

Fundango Store, Folding Deluxe Camping Chair, Date first available Jun. 24, 2019, [online]retrieved Mar. 8, 2020,available from https://www.amazon.com/dp/B07THBZKVB/ref=sspa_dk_detail_5?psc=1&pd_rd_i=B07THBZKVB&pd_rd_w=XSZfh&pf_rd_p=48d372c1-f7e1-4b8b-9d024bd86f5158c5&pd_rd_wg=adY88&pf_rd_r=XQC2XN3B8TFH (Year: 2019).*

YETI, Trailhead Camp Chair, [online]retrieved Jun. 4, 2020,available from <https://www.fieldandstreamshop.com/p/yeti-trailhead-camp-chair-20yetutrlhdcmpchrrec/20yetutrlhdcmpchrrec> (Year: 2020).* Mar. 21, 2019—(PCT) International Search Report and Written Opinion—App PCT/US2019/013511.

Alpha Camp, Alpha Camp Oversized Camping Folding Chair Heavy Duty Steel Frame,Date first available May 3, 2019,[online] retrieved Jun. 1, 2020, available from internet, www.amazon.com(Year: 2019).

Fundango,Fundango Lumbar Support Strong Stable Heavy Duty Folding Deluxe Camping Chair, [online] retrieved Jun. 1, 2020, available from internet, www.amazon.com (Year: 2020).

Yeti, Trailhead Camp Chair,[online]retrieved Jun. 4, 2020, available from internet, <https://www.fieldandstreamshop.com/p/yeti-trailhead-camp-chair-20yetutrlhdcmpchrrec/20yetutrlhdcmpchrrec>(Year: 2020). Sep. 16, 2020—(CA) Examination Report—App. No. 188594.

Pacific Play Tents Store, Sapphire Blue Super Children’s Chair, Date first available Nov. 8, 2018, [online] retrieved Sep. 23, 2021, available from https://www.amazon.com/Pacific-Play-Tents-Sapphire-Folding/dp/B07KBSBV7T/ref=sr_1_115?dchild=1&keywords=foldable+chair&qid=1632406749&sr=8-115 (Year:2018).

* cited by examiner



FIG. 1

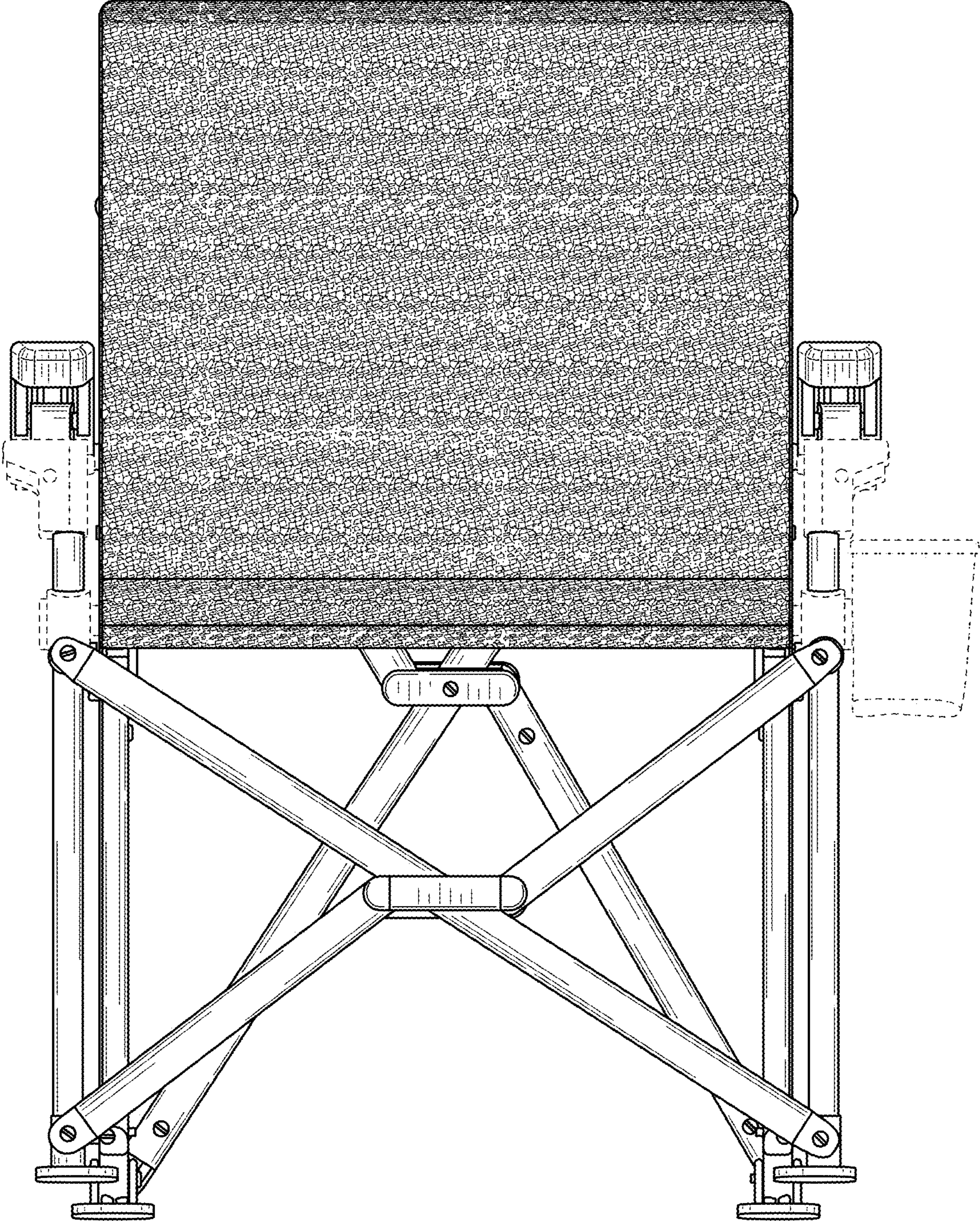


FIG. 2

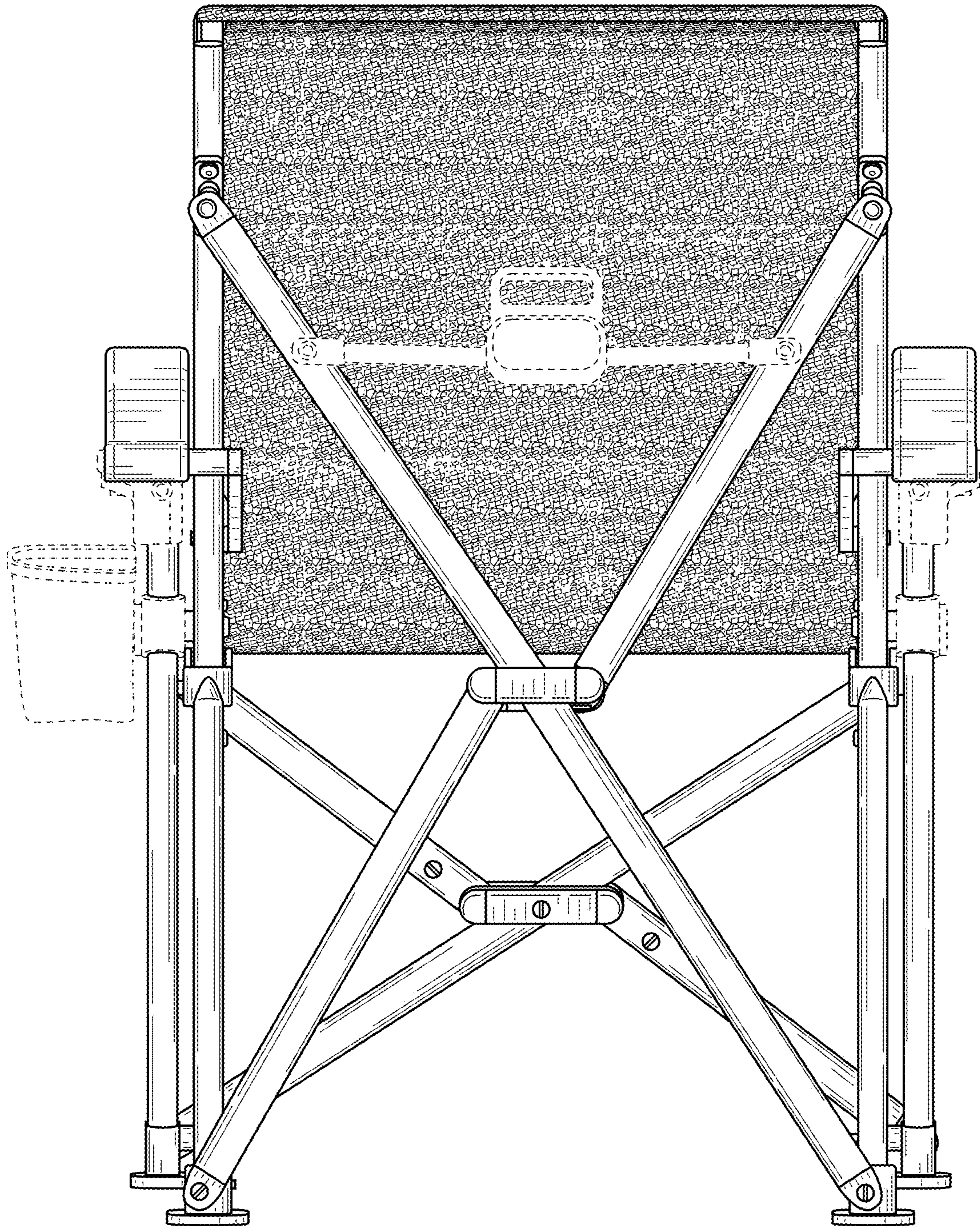


FIG. 3

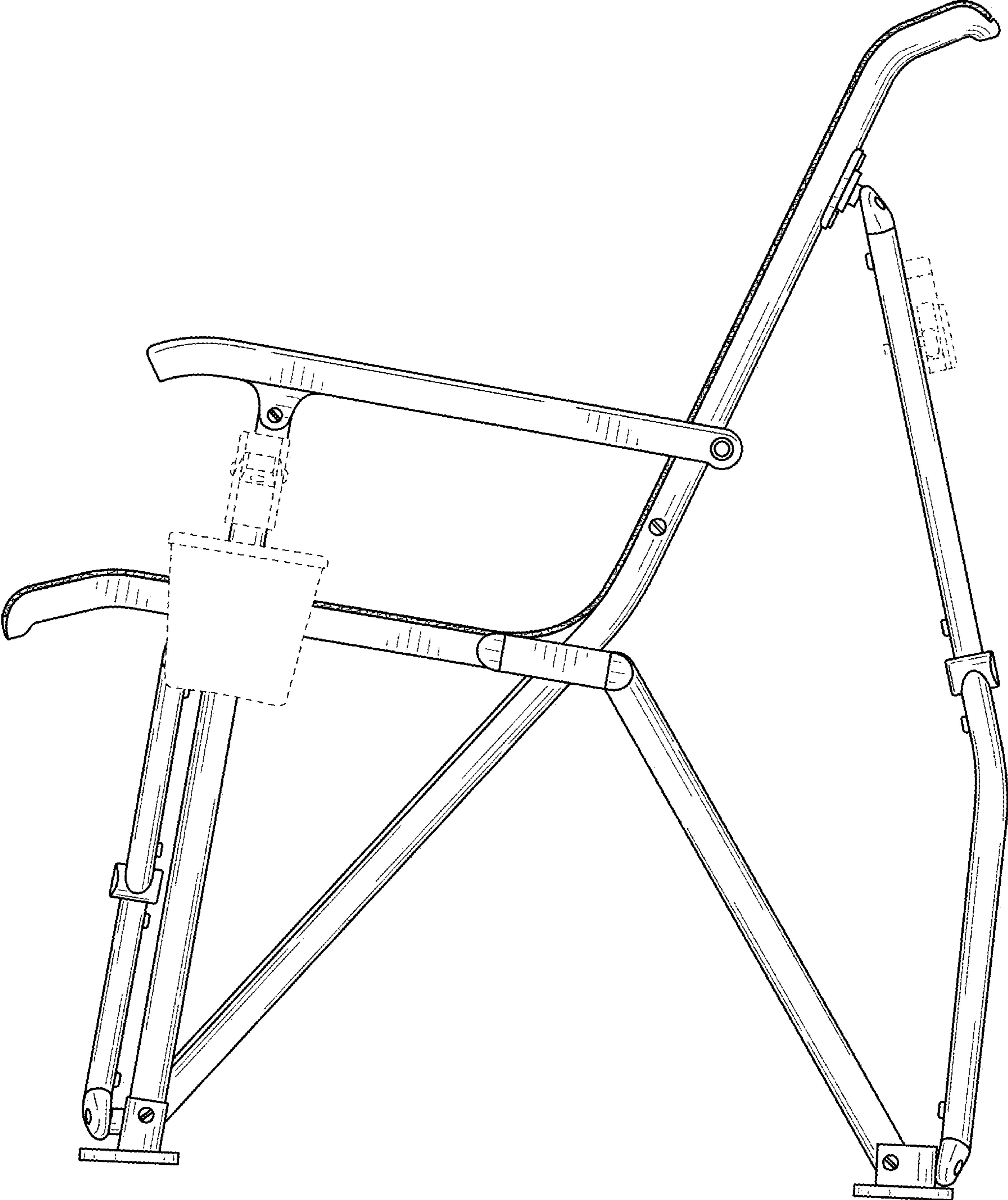


FIG. 4

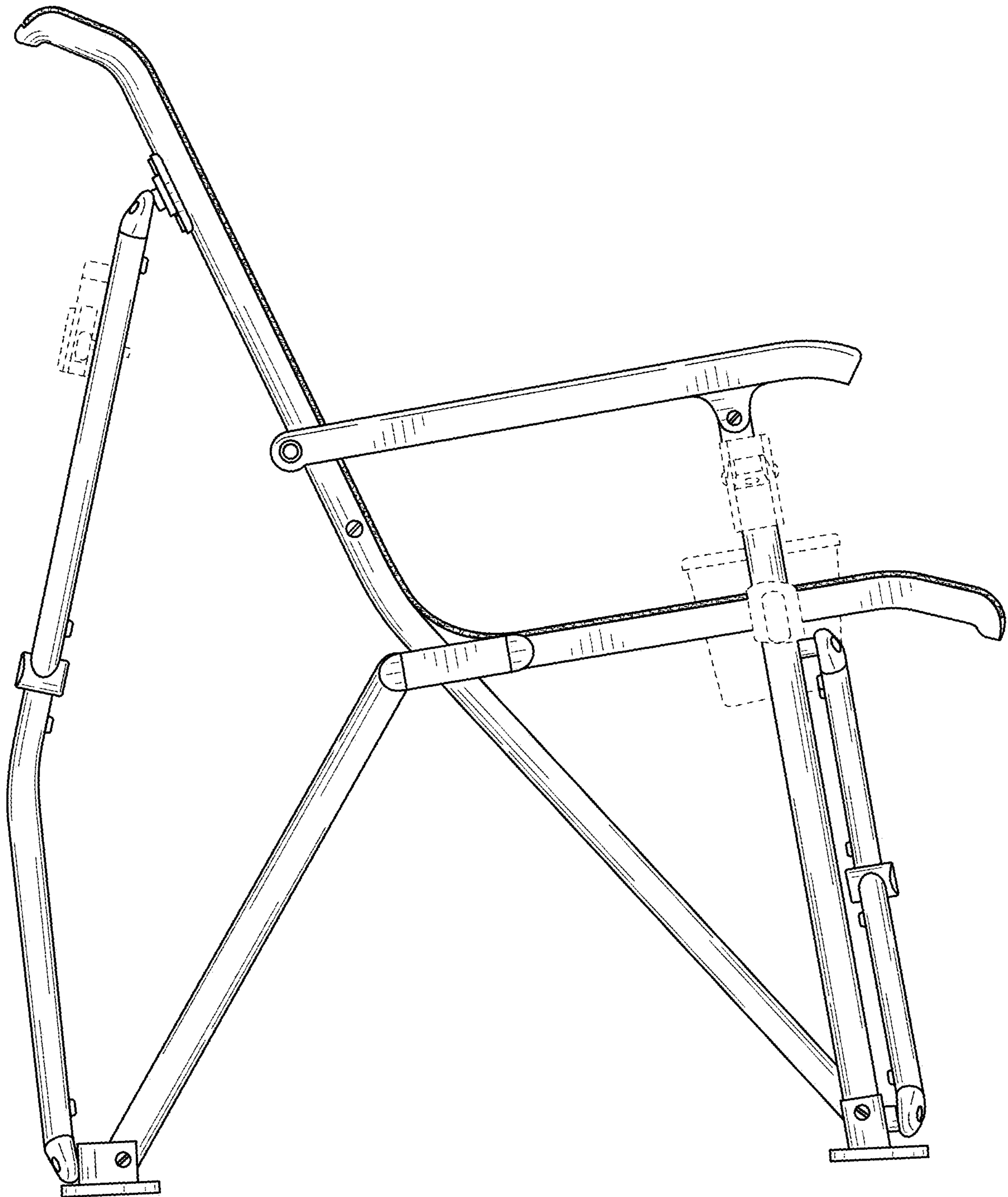


FIG. 5

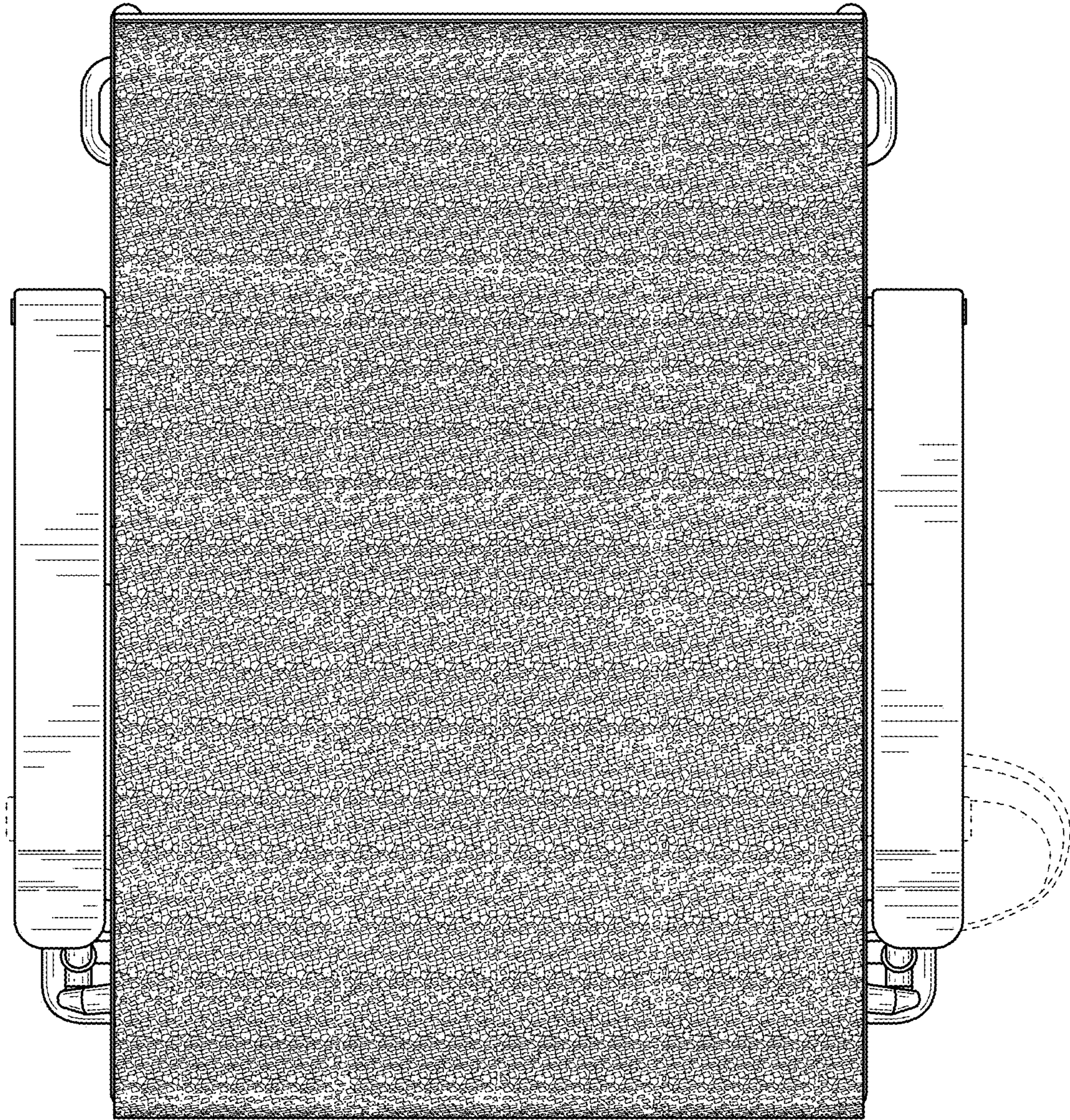


FIG. 6

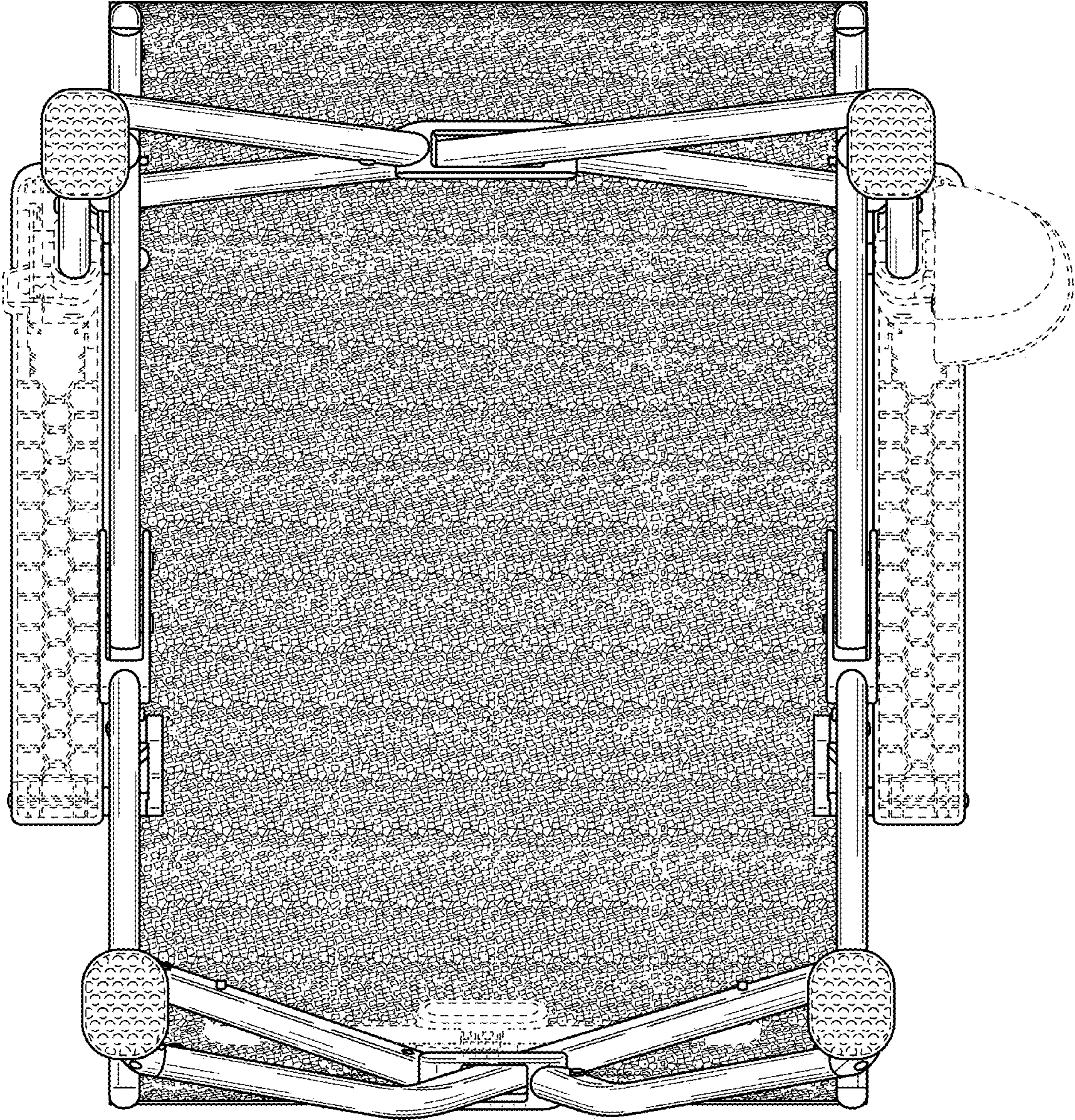


FIG. 7