



US00D941599S

(12) **United States Design Patent**
Ni et al.

(10) **Patent No.:** **US D941,599 S**
(45) **Date of Patent:** **** Jan. 25, 2022**

(54) **CHAIR**

(71) Applicant: **ZHEJIANG SUNON FURNITURE MANUFACTURE CO., LTD.**, Hangzhou (CN)

(72) Inventors: **Liangzheng Ni**, Hangzhou (CN); **Xujun Zhang**, Hangzhou (CN); **Hailin Ge**, Hangzhou (CN); **Jing Li**, Hangzhou (CN); **Chen Jiang**, Hangzhou (CN)

(73) Assignee: **ZHEJIANG SUNON FURNITURE MANUFACTURE CO., LTD.**, Hangzhou (CN)

(**) Term: **15 Years**

(21) Appl. No.: **29/736,434**

(22) Filed: **May 29, 2020**

(51) **LOC (13) Cl.** **06-01**

(52) **U.S. Cl.**
USPC **D6/366**

(58) **Field of Classification Search**
USPC D6/334, 356, 361, 366, 367, 374, 375, D6/378, 380, 381, 716, 716.1, 716.4
CPC A47C 3/0257; A47C 3/16; A47C 3/18; A47C 3/20; A47C 3/26; A47C 1/02; A47C 1/03255; A47C 7/18; A47C 7/24; A47C 7/29; A47C 7/36; A47C 7/38; A47C 7/40; A47C 7/46; A47C 7/54; A47C 7/282; A47C 11/00
See application file for complete search history.

(56) **References Cited**

U.S. PATENT DOCUMENTS

D260,205 S * 8/1981 Buhk D6/366
D278,391 S * 4/1985 Platner D6/366

D326,960 S * 6/1992 Stulik 297/452.23
D354,178 S * 1/1995 Ochsner D6/366
D497,264 S * 10/2004 Aubriet D6/366
D661,916 S * 6/2012 Chen D6/366
10,076,191 B2 * 9/2018 Chen A47C 7/405
D863,802 S * 10/2019 Wang D6/366
D874,842 S * 2/2020 Wang D6/366
D907,947 S * 1/2021 Wang D6/716
D908,381 S * 1/2021 Breen D6/366
D917,947 S * 5/2021 Tang D6/716

* cited by examiner

Primary Examiner — R. Johnson

(74) *Attorney, Agent, or Firm* — Jiwen Chen; Jacobson Holman PLLC

(57) **CLAIM**

The ornamental design for a chair, as shown and described.

DESCRIPTION

FIG. 1 is a front perspective view of the chair showing the design;
FIG. 2 is a rear perspective view thereof;
FIG. 3 is a front elevational view thereof;
FIG. 4 is a rear elevational view thereof;
FIG. 5 is a right side view thereof;
FIG. 6 is a left side view thereof;
FIG. 7 is a top plan view thereof; and,
FIG. 8 is a bottom plan view thereof, wherein the broken lines are for the purpose of illustrative purposes, showing the environment in which the design is used, and forms no part of the design.

1 Claim, 8 Drawing Sheets





FIG. 1



FIG. 2

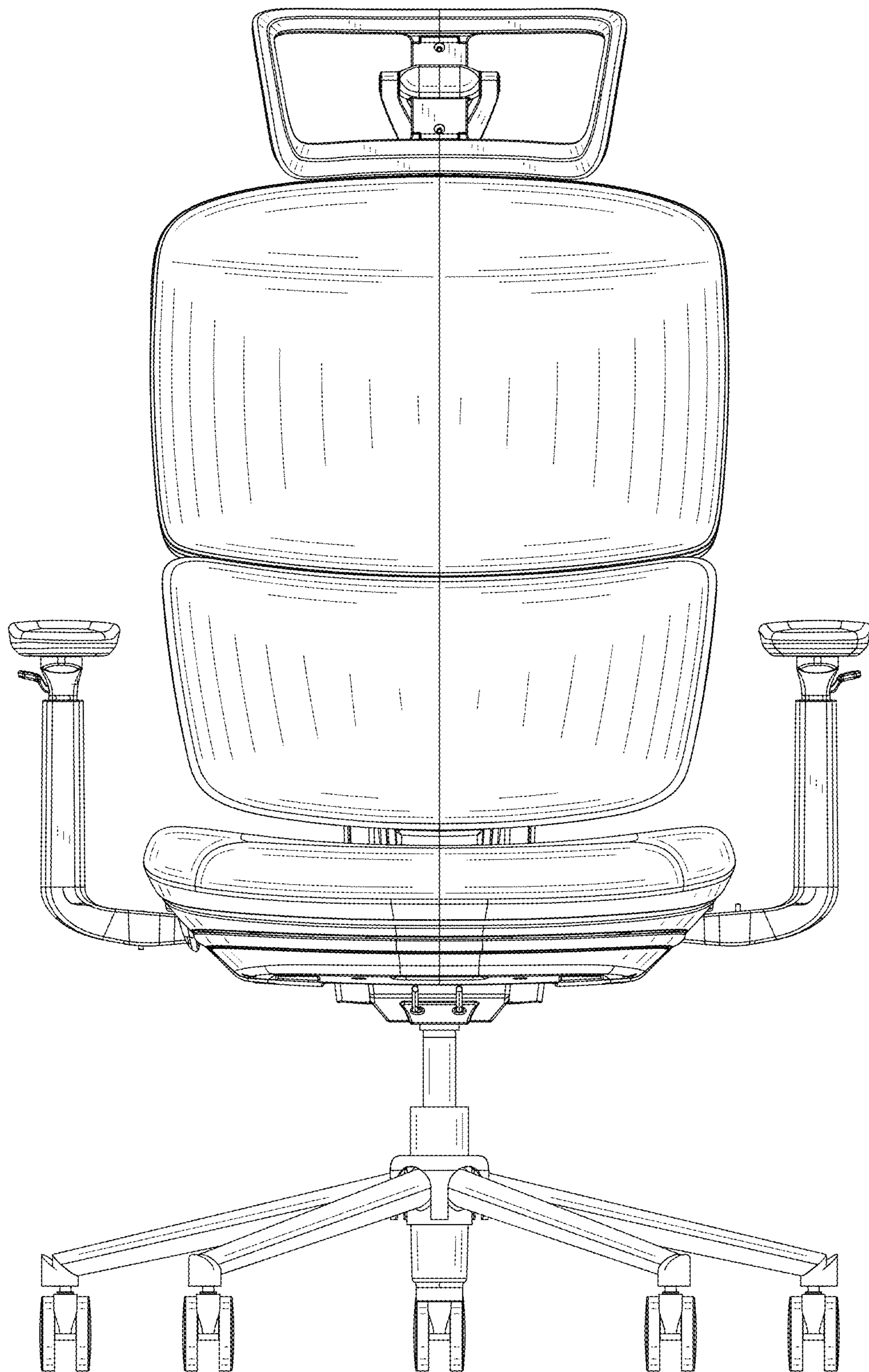


FIG. 3

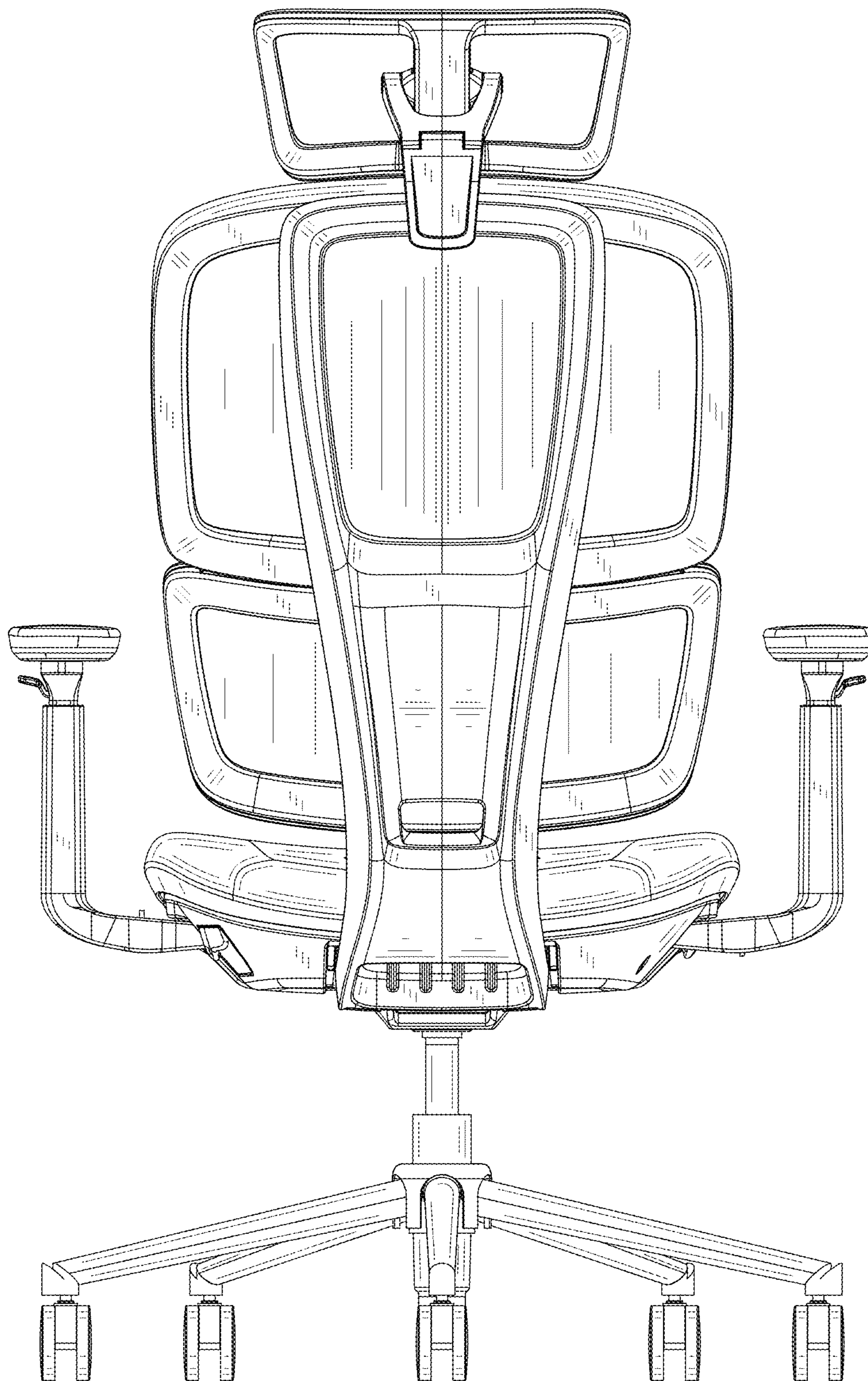


FIG. 4

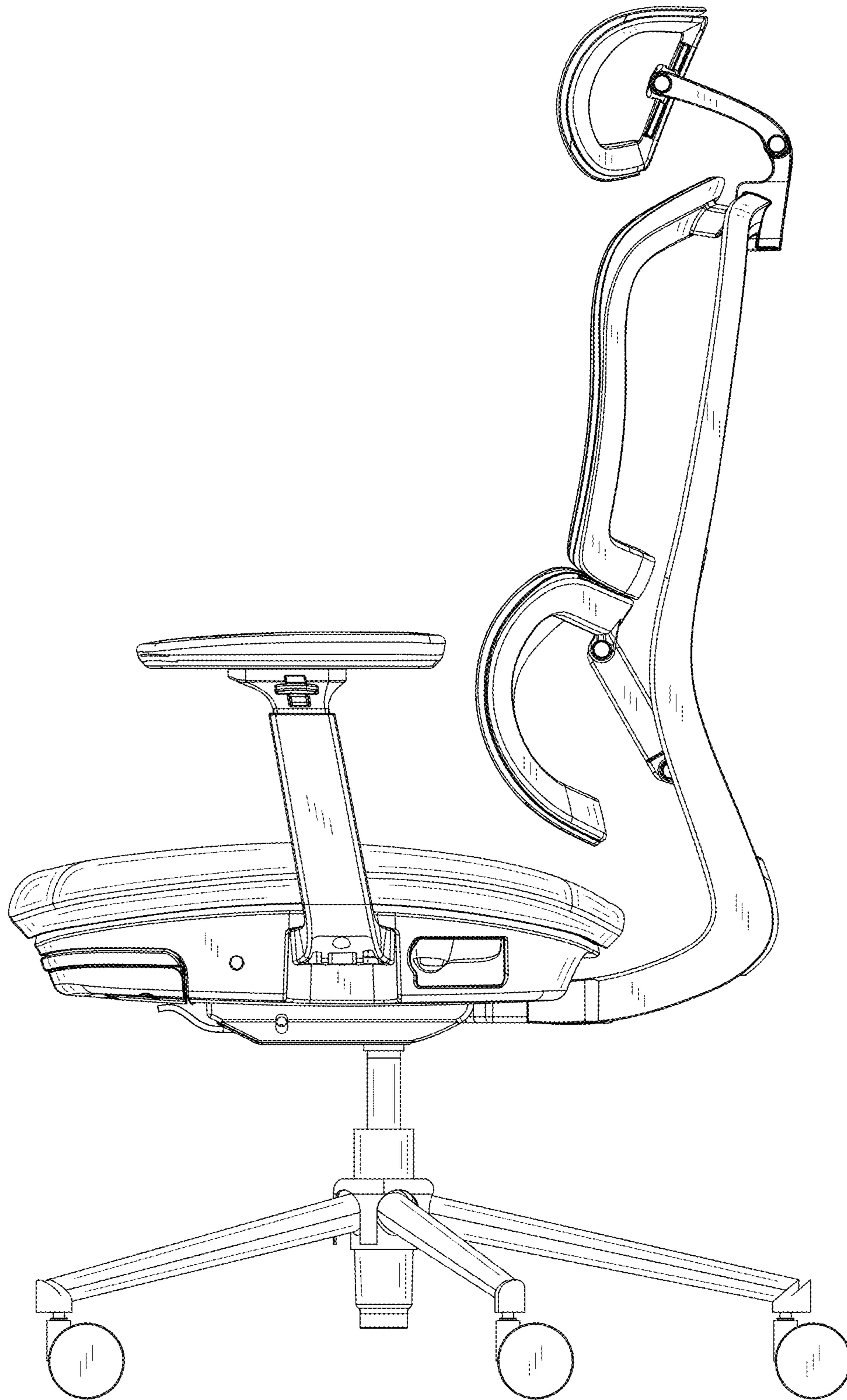


FIG. 5

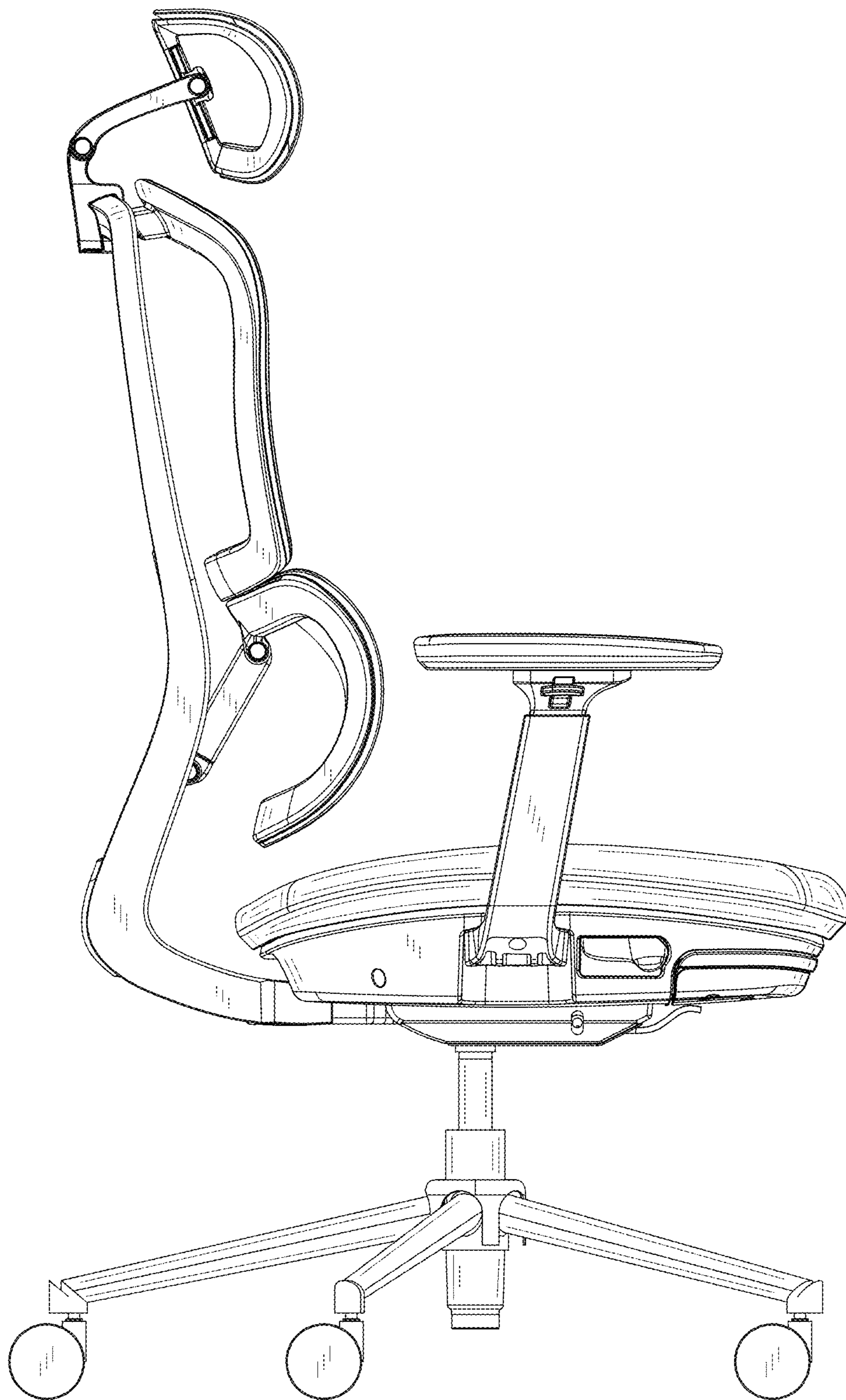


FIG. 6

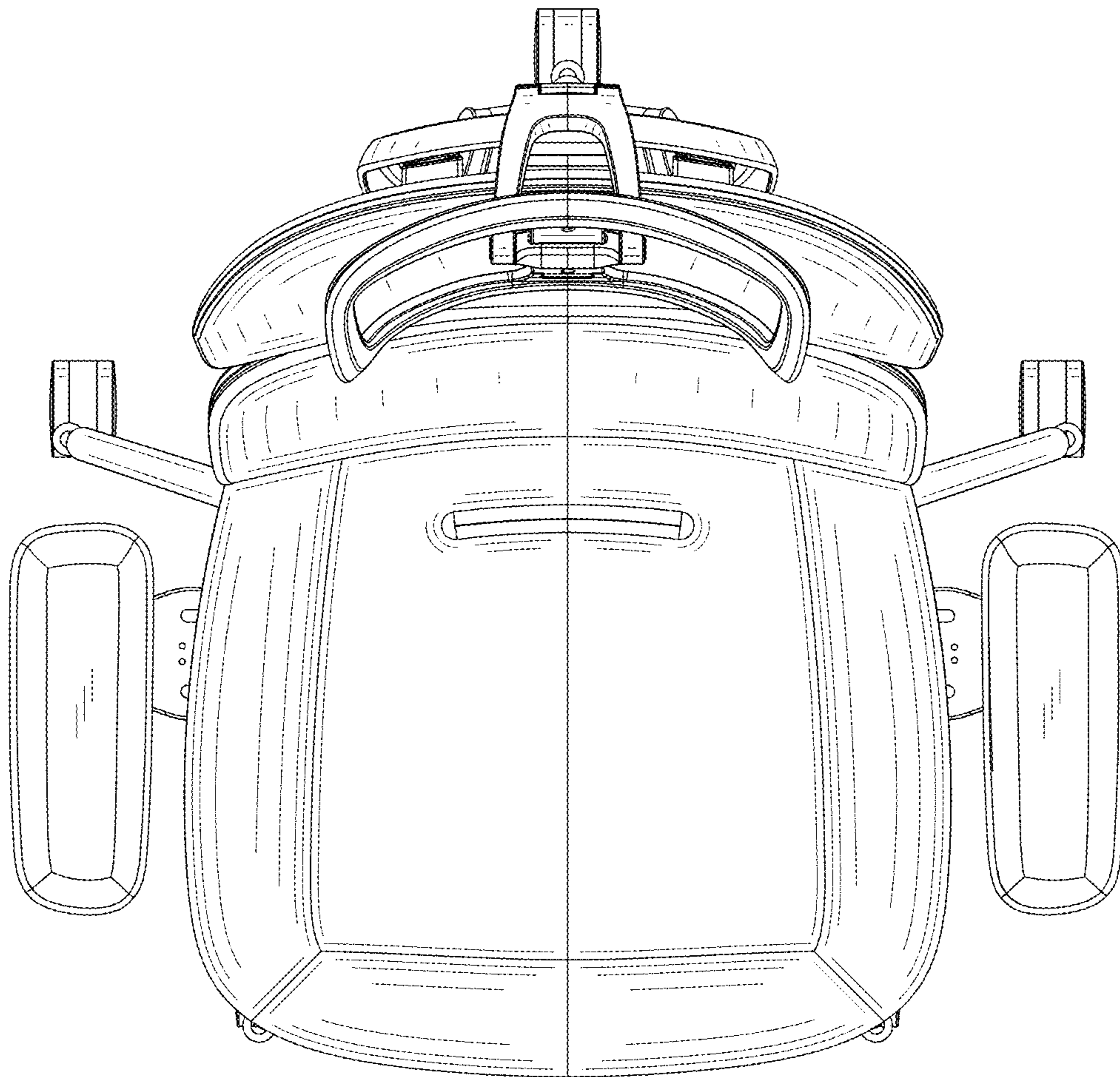


FIG. 7

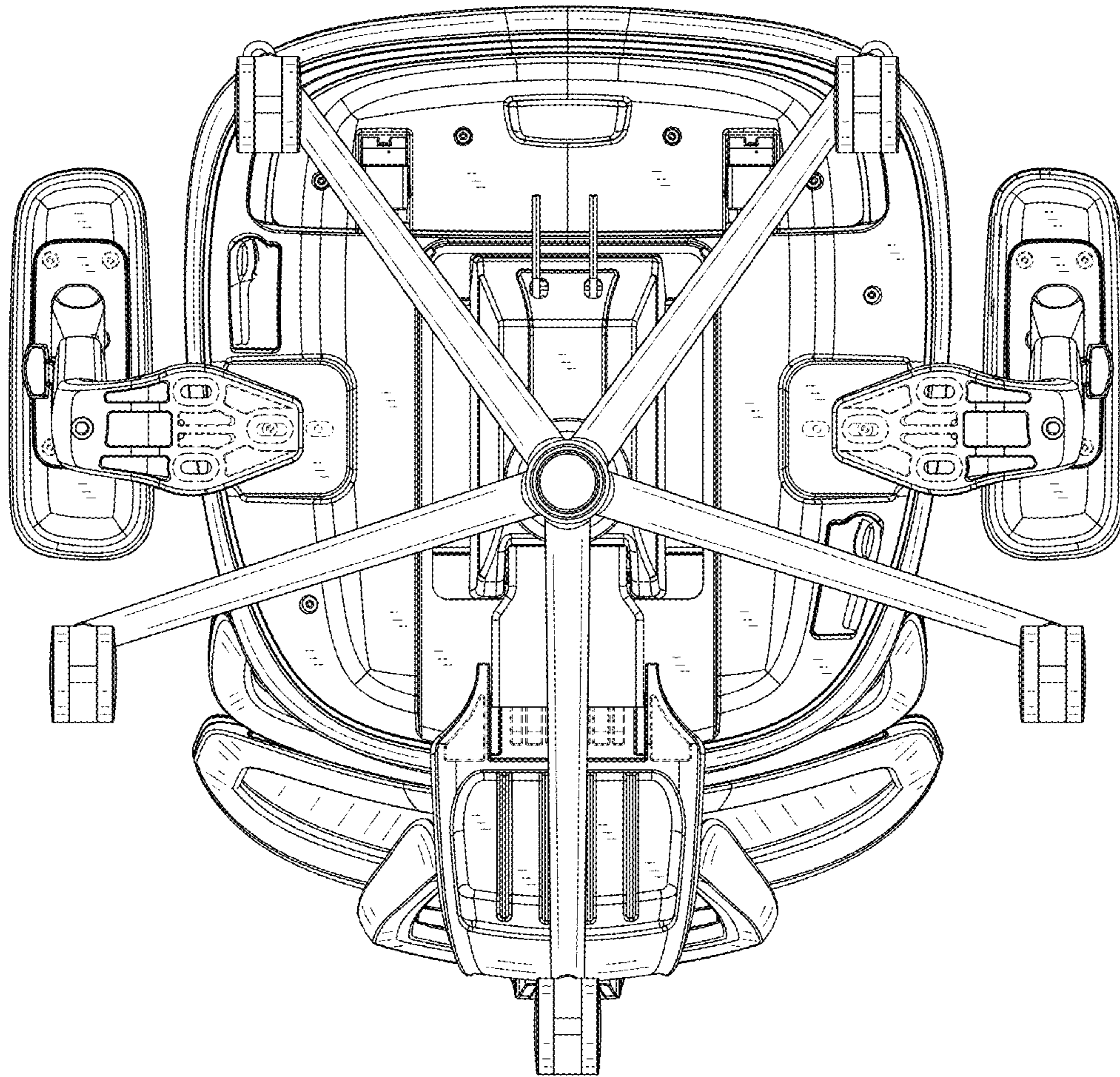


FIG. 8