



US00D941597S

(12) **United States Design Patent** (10) **Patent No.:** **US D941,597 S**
Oliva et al. (45) **Date of Patent:** **** Jan. 25, 2022**

(54) **MODULAR SPA CHAIR**

- (71) Applicant: **DashBar, Inc.**, Davie, FL (US)
- (72) Inventors: **Carla Oliva**, Davie, FL (US); **Lucas Leibman**, New York, NY (US)
- (73) Assignee: **DashBar, Inc.**, Davie, FL (US)
- (**) Term: **15 Years**
- (21) Appl. No.: **29/722,632**
- (22) Filed: **Jan. 31, 2020**
- (51) **LOC (13) Cl.** **06-01**
- (52) **U.S. Cl.**
USPC **D6/336**
- (58) **Field of Classification Search**
USPC D6/334, 335, 336, 353, 360, 365, 374,
D6/375, 708, 708.18, 716, 716.1-716.8;
D23/276-278; D24/201-205, 213;
D28/56, 61
CPC A47C 1/00; A47C 1/02; A47C 1/04; A47C
17/02; A47C 17/04; A47C 17/045; A47C
17/13; A47C 17/132; A47C 17/134; A47C
17/161; A47C 17/162; A47C 17/163;
A47C 17/17; A47C 17/16; A47C 17/18;
A47C 17/20; A47C 17/86; A47K 3/022;
A47K 3/062; A61H 35/006; A61H
2035/004
See application file for complete search history.

(56) **References Cited**

U.S. PATENT DOCUMENTS

- D227,954 S * 7/1973 Gill D6/336
 - D231,878 S * 6/1974 Kellum D6/334
 - D340,142 S * 10/1993 Totoro D6/367
 - D361,674 S * 8/1995 Carter, Sr. D6/335
- (Continued)

FOREIGN PATENT DOCUMENTS

CN 303164551 * 11/2014

OTHER PUBLICATIONS

Instant Beauty Key Biscayne Magazine [online], [site visited Jun. 17, 2021]. Available from internet, URL: <http://keybiscaynemag.com/instant-beauty/> (Year: 2020).*
(Continued)

Primary Examiner — Cynthia Ramirez
Assistant Examiner — Xavier Marti-Santos
(74) *Attorney, Agent, or Firm* — Lerner, David, Littenberg, Krumholz & Mentlik, LLP

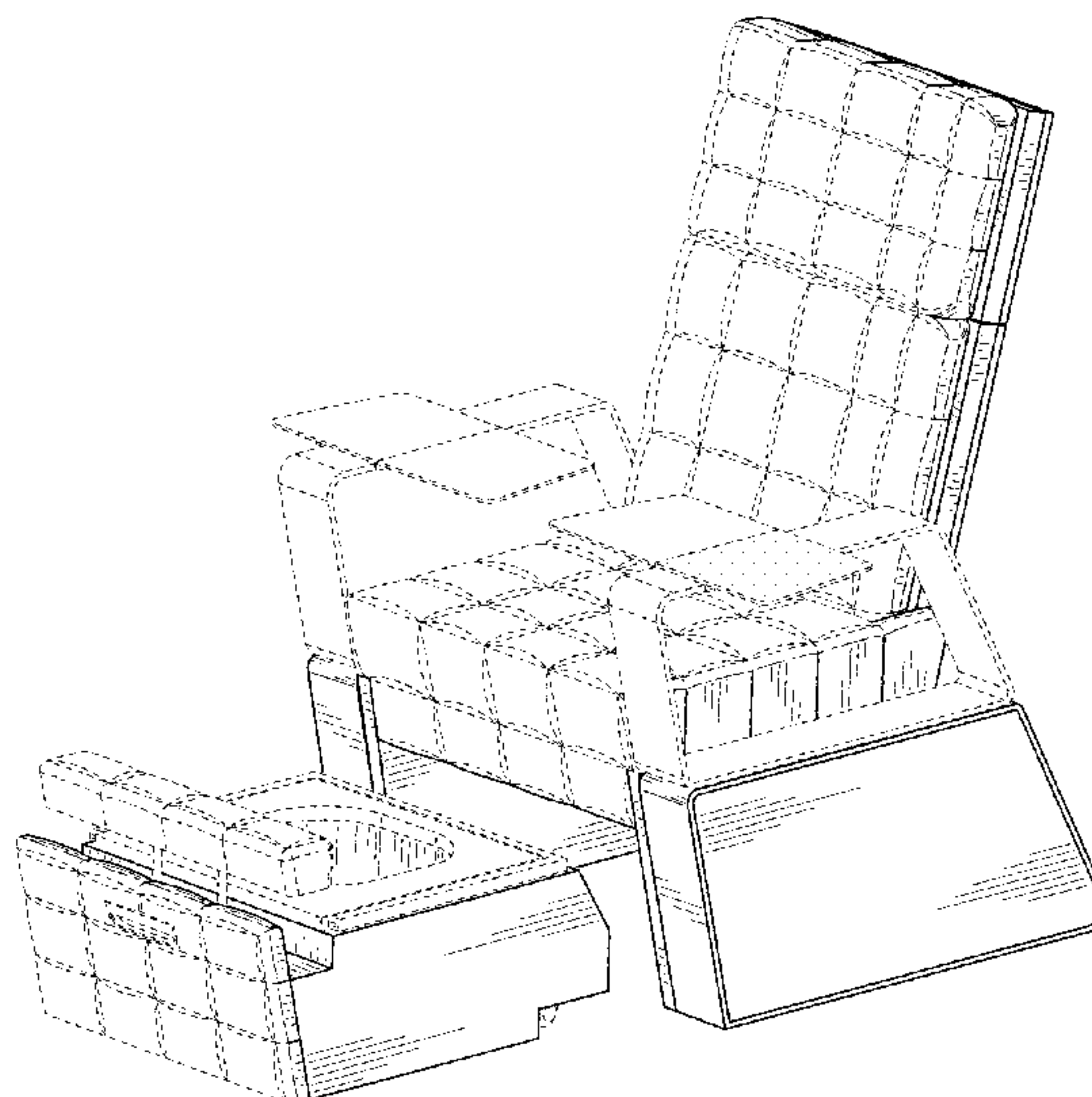
(57) **CLAIM**

The ornamental design for a modular spa chair, as shown and described.

DESCRIPTION

This application is related to application Ser. No. 29/722,624, application Ser. No. 29/722,639, and application Ser. No. 29/722,656, all of which are concurrently filed herewith and entitled modular spa chair, and the disclosures all of which are incorporated herein by reference.
FIG. 1 is a front perspective view of a modular spa chair in a first upright position according to our new design;
FIG. 2 is a front elevation view thereof;
FIG. 3 is a rear elevation view thereof;
FIG. 4 is a right side elevation view thereof;
FIG. 5 is a left side elevation view thereof;
FIG. 6 is a top plan view thereof;
FIG. 7 is a rear perspective view thereof;
FIG. 8 is a front perspective view of the modular spa chair in a second reclined position;
FIG. 9 is a side perspective view of FIG. 8; and,
FIG. 10 is a front perspective view of FIG. 8.
The broken lines of even length shown in the drawings are for the purpose of illustrating portions of the modular spa chair that form no part of the claimed design. The broken lines of uneven length shown in the drawings define the bounds of the claim and form no part thereof.

1 Claim, 9 Drawing Sheets



(56)

References Cited

U.S. PATENT DOCUMENTS

D432,804 S	*	10/2000	Mizelle	D6/360
D641,178 S	*	7/2011	Drilling	D6/334
D659,413 S	*	5/2012	Arko	D6/334
D721,527 S	*	1/2015	Petruccelli	D6/708.18
D740,575 S	*	10/2015	Scott	D6/334
D741,071 S	*	10/2015	Fernandez	D6/335
D801,708 S	*	11/2017	Petruccelli	D6/335
D917,185 S	*	4/2021	Reid	D6/334

OTHER PUBLICATIONS

TheDashBar youtube channel [online], [site visited Jun. 17, 2021].
Available from internet, URL: <<https://www.youtube.com/watch?v=IYCJ-Hulm8M>> (Year: 2020).*

Oliva et al., "Modular Spa Chair," Design U.S. Appl. No. 29/722,624,
filed Jan. 31, 2020 (not yet published).

Oliva et al., "Modular Spa Chair," Design U.S. Appl. No. 29/722,639,
filed Jan. 31, 2020 (not yet published).

Oliva et al., "Modular Spa Chair," Design U.S. Appl. No. 29/722,656,
filed Jan. 31, 2020 (not yet published).

* cited by examiner

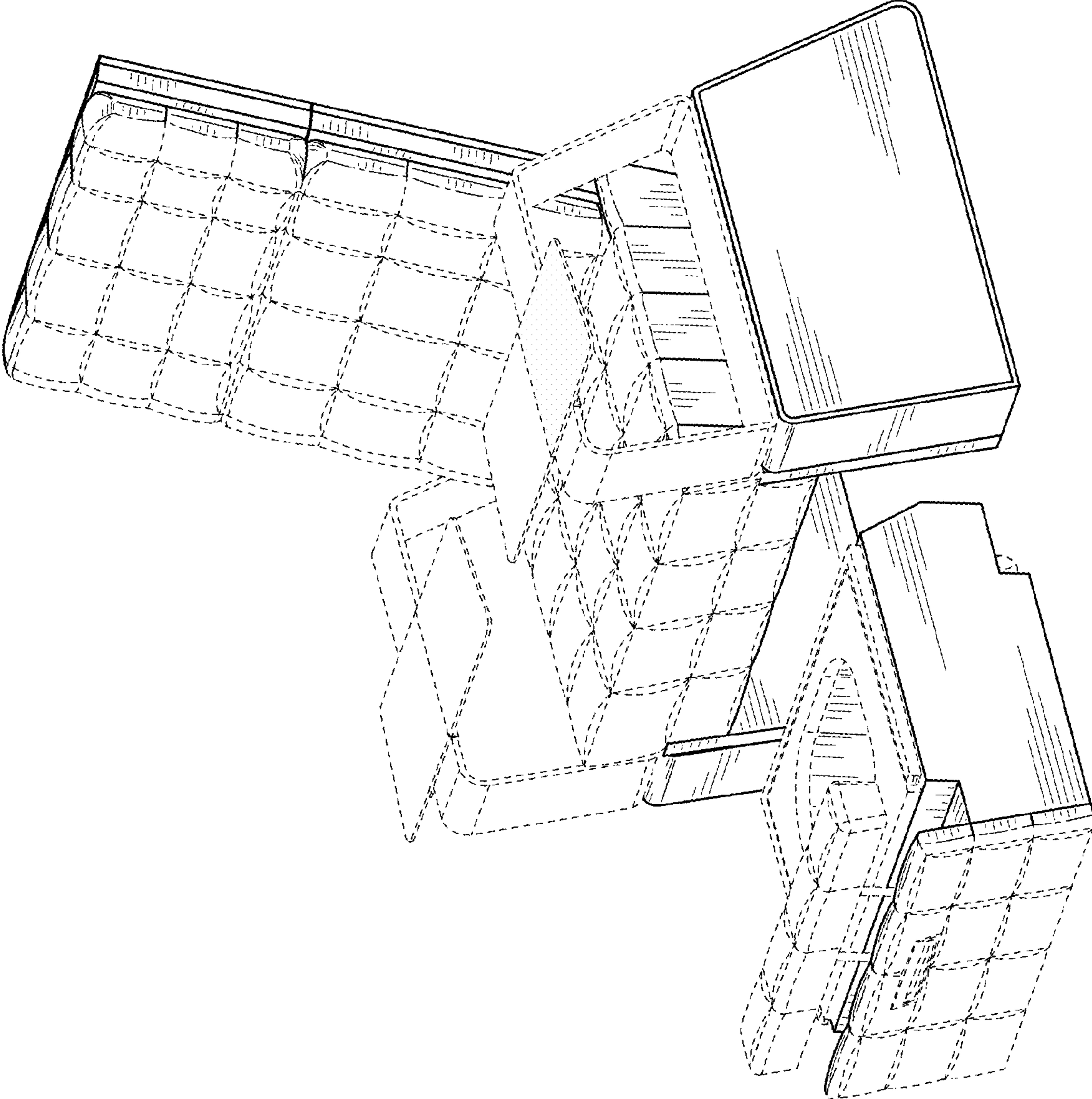


FIG. 1

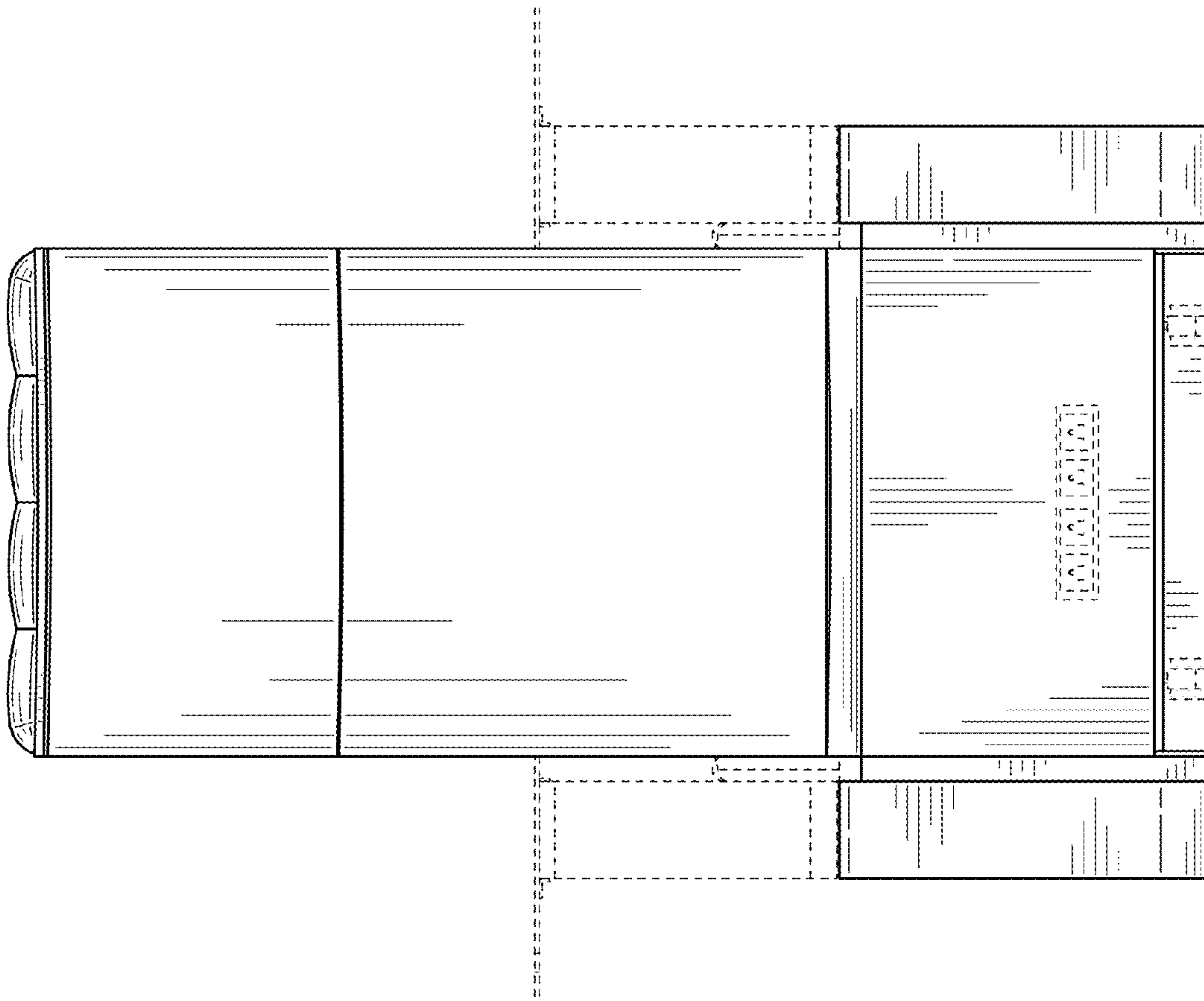


FIG. 3

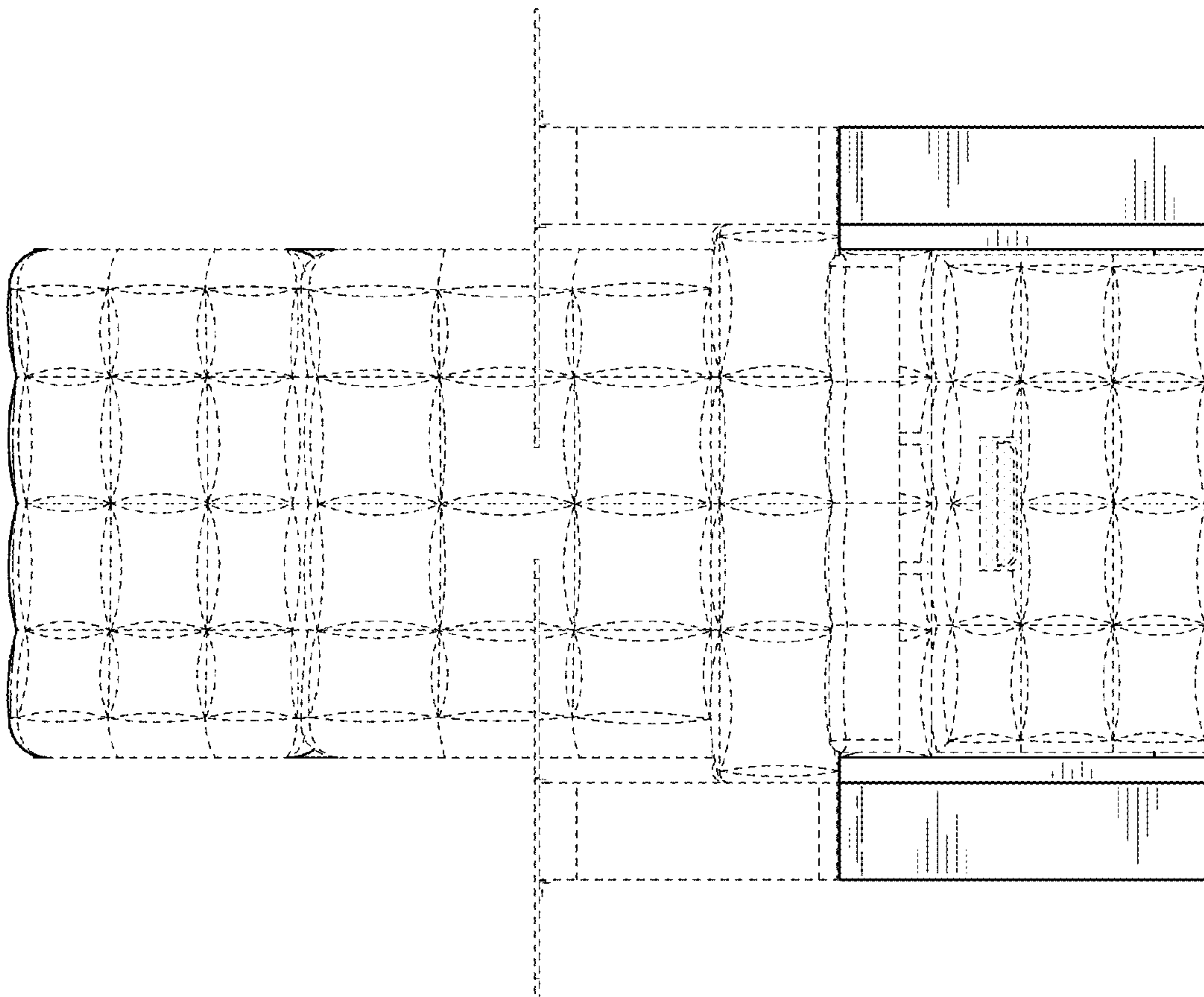


FIG. 2

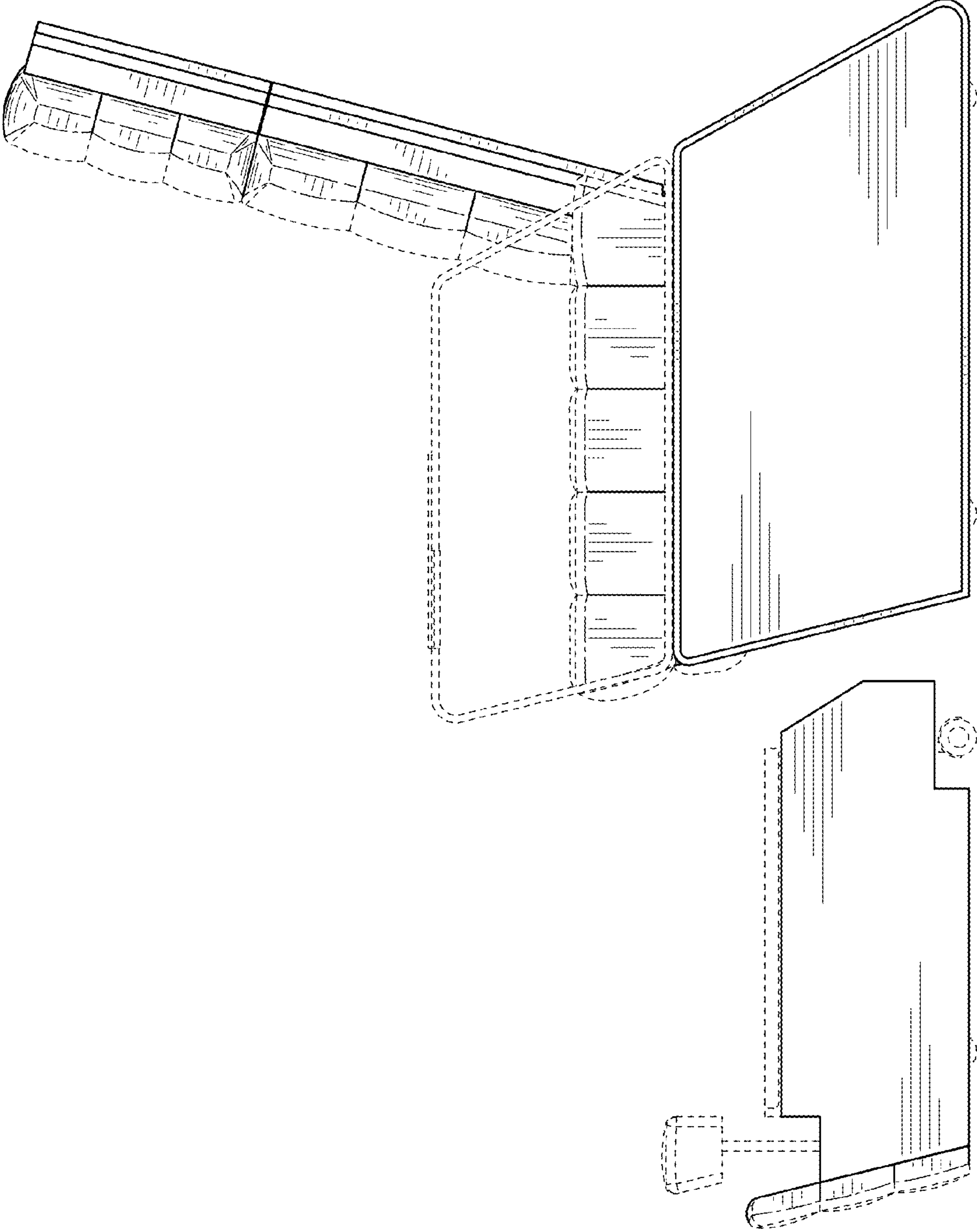


FIG. 4

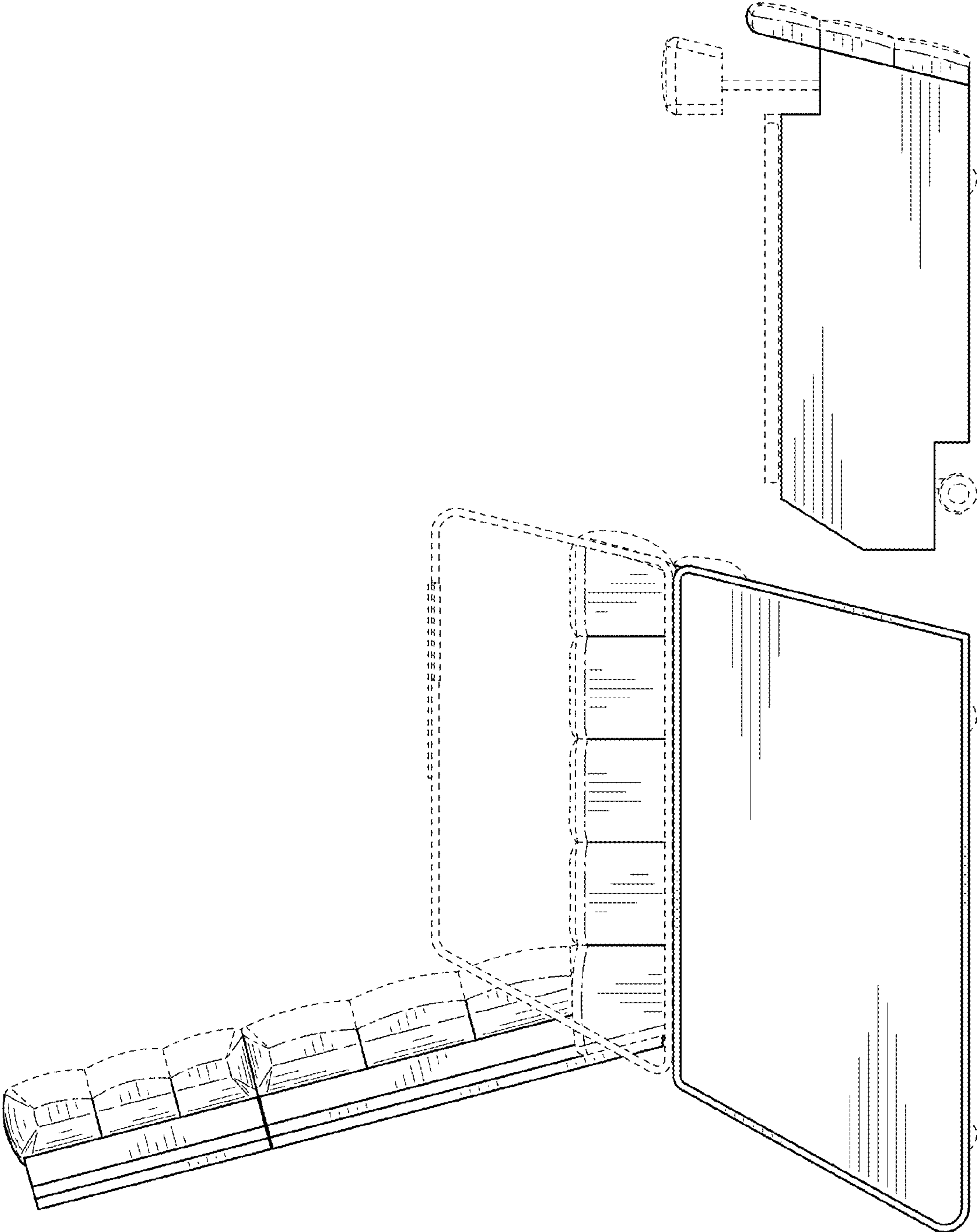


FIG. 5

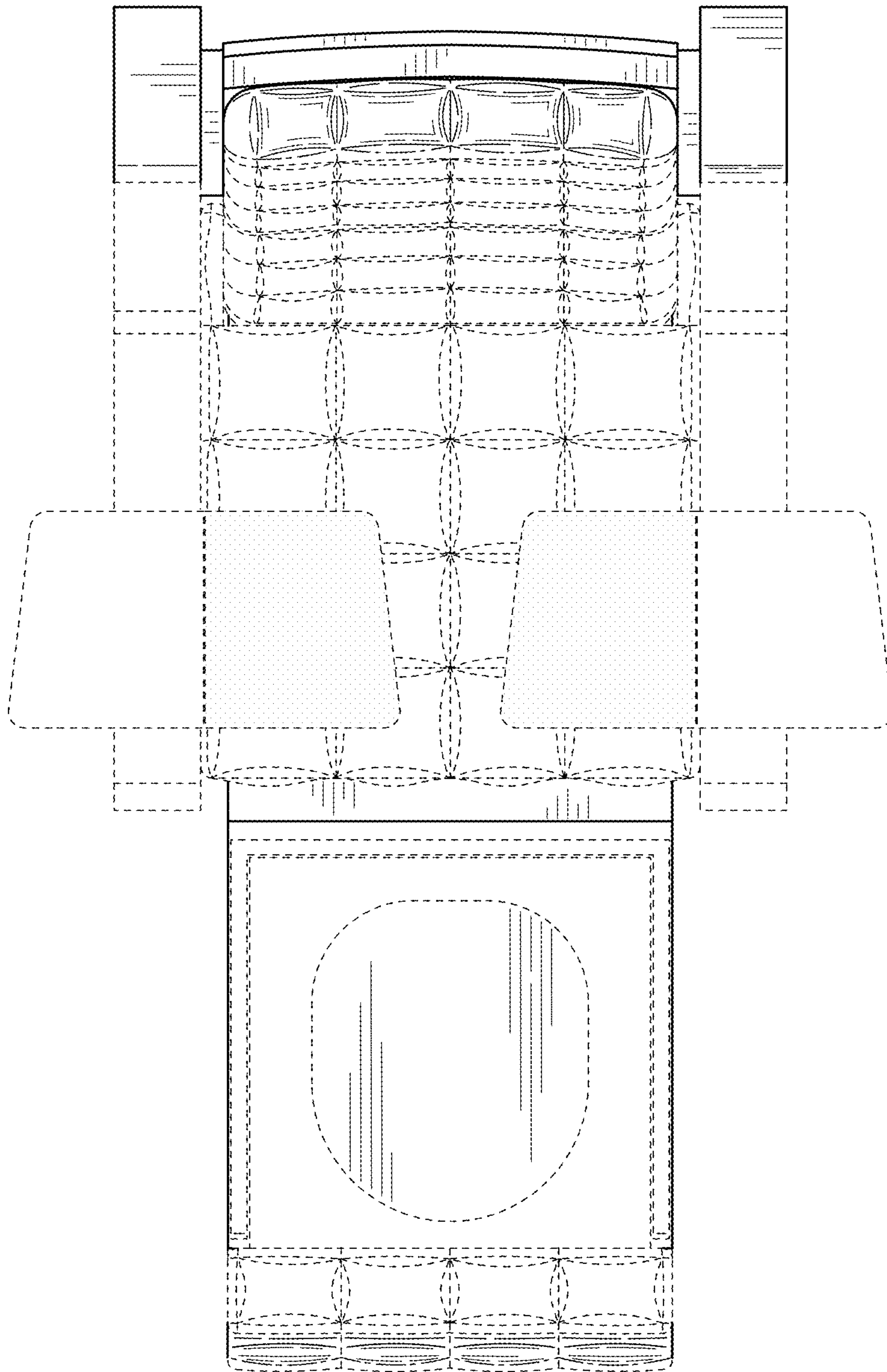


FIG. 6

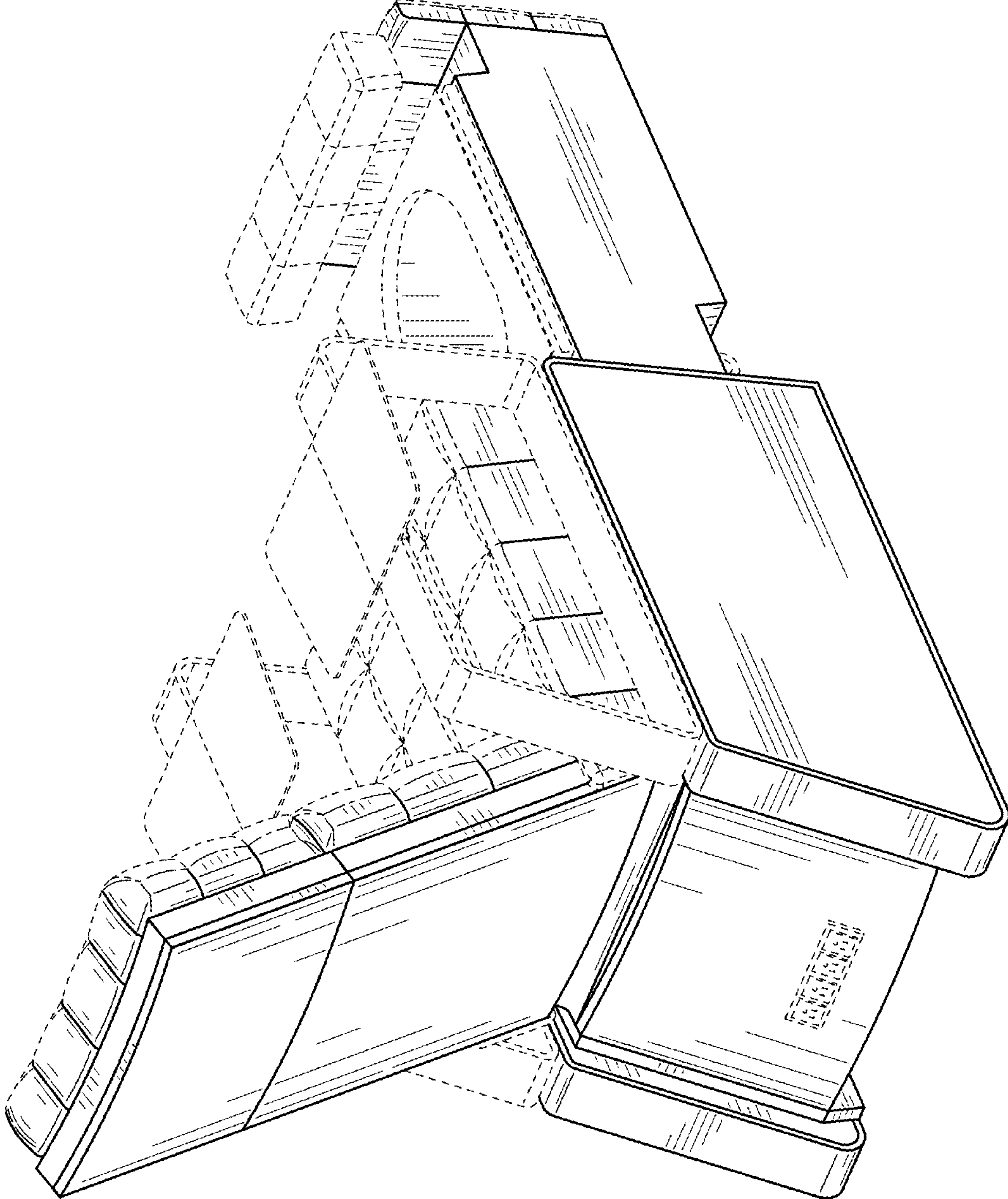


FIG. 7

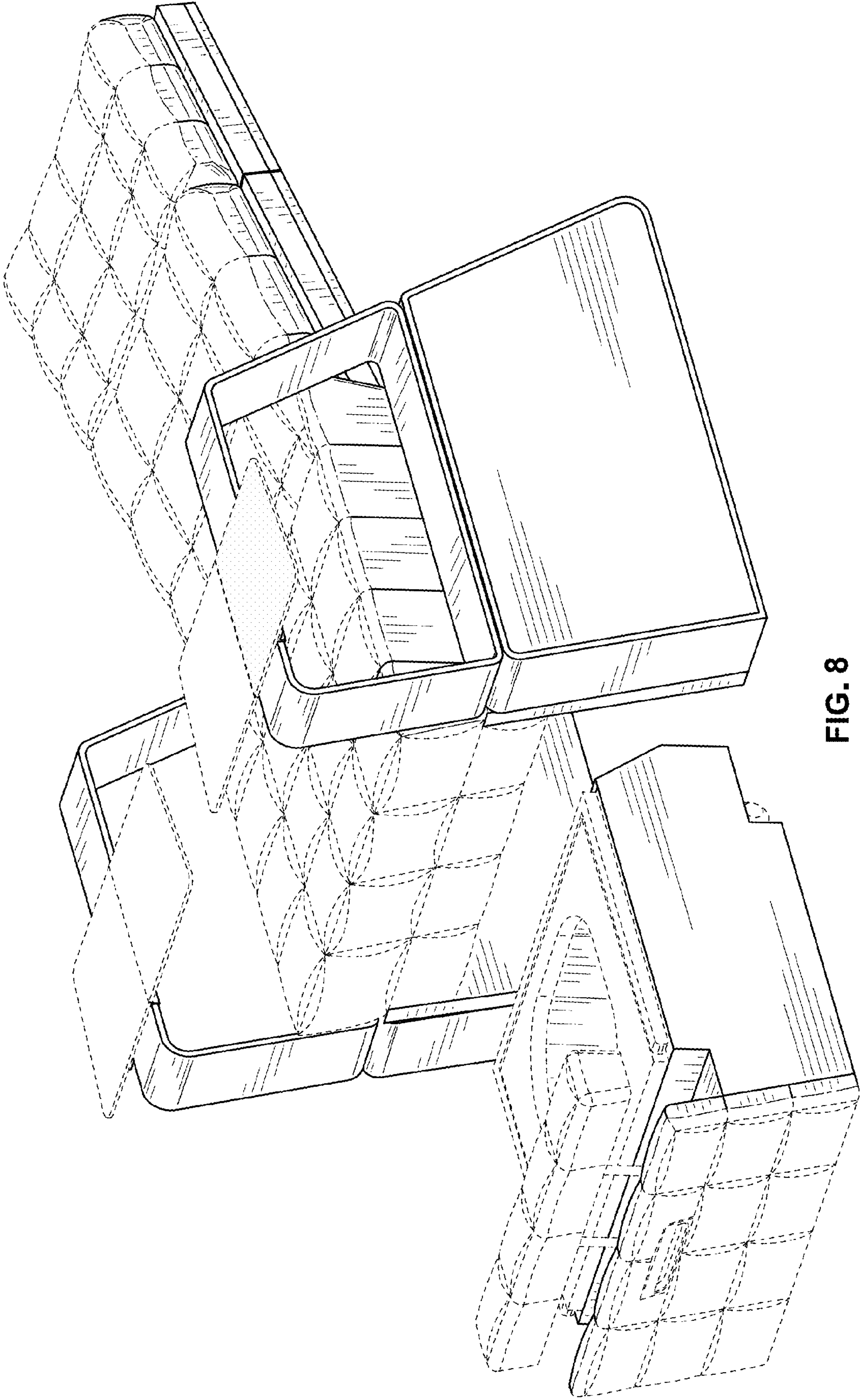


FIG. 8

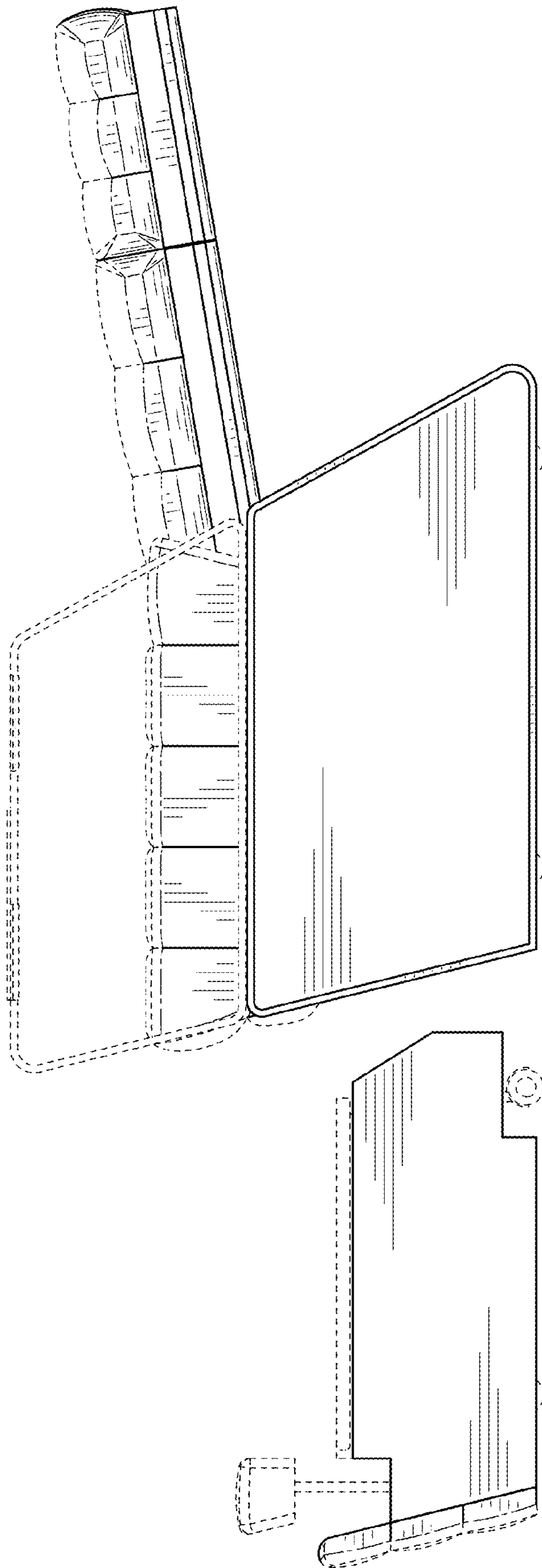


FIG. 9

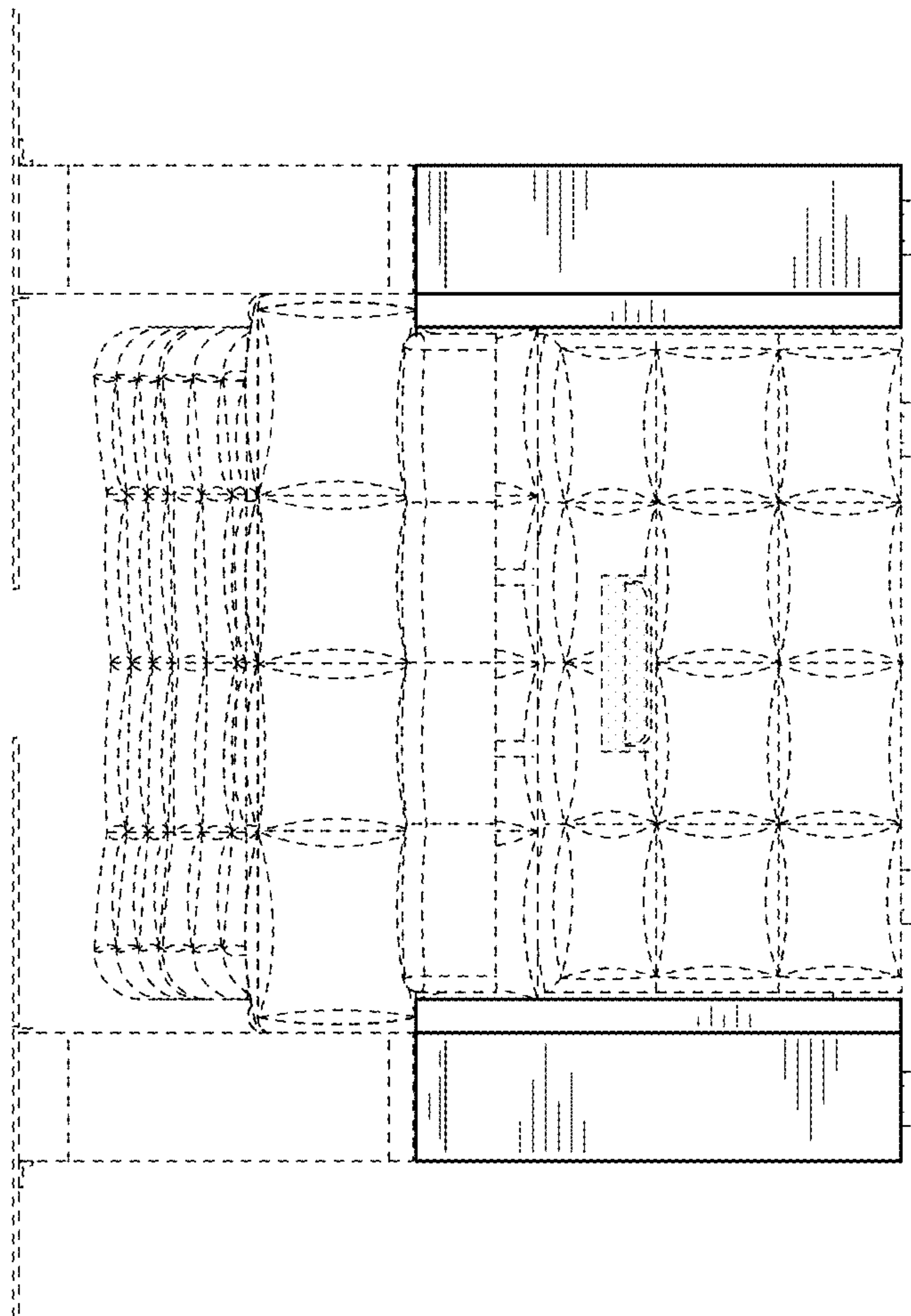


FIG. 10