



US00D941595S

(12) **United States Design Patent**
Van Deursen

(10) **Patent No.:** **US D941,595 S**
(45) **Date of Patent:** **** Jan. 25, 2022**

(54) **DOVETAIL ELEMENT FOR MIRROR
FRAME ATTACHMENT**

D878,939 S * 3/2020 Wu D10/65
2021/0030171 A1* 2/2021 Hummons A47G 1/10
2021/0102424 A1* 4/2021 Hunting E06B 3/9725

(71) Applicant: **MirrorMate, LLC**, Charlotte, NC (US)

(72) Inventor: **Gary Van Deursen**, Essex, CT (US)

(**) Term: **15 Years**

(21) Appl. No.: **29/708,006**

(22) Filed: **Oct. 2, 2019**

(51) **LOC (13) Cl.** **06-07**

(52) **U.S. Cl.**
USPC **D6/300**; D8/349

(58) **Field of Classification Search**
USPC D6/300-302; D8/349, 354; D11/132;
D25/119
CPC A47G 1/06; A47G 1/065; A47G 1/0605;
A47G 1/0633; A47G 1/0638; A47G
1/0644; A47G 1/08; A47G 1/10; A47G
1/14; A47G 1/141; A47G 1/142; A47G
1/16; A47G 1/1606; A47G 1/1613; A47G
2001/0661; A47G 2001/0672; A47G
2001/0688; A47G 2001/148; G09F 1/12;
E06B 3/9725

See application file for complete search history.

(56) **References Cited**

U.S. PATENT DOCUMENTS

4,332,495 A * 6/1982 Burgers F16B 12/2036
403/6
D377,597 S * 1/1997 Podgers D8/349
D377,601 S * 1/1997 Kozyrski D6/300
D401,839 S * 12/1998 Krey D8/354
D418,394 S * 1/2000 King D25/124
6,030,178 A * 2/2000 Caruso F01D 5/3007
416/191
6,142,737 A * 11/2000 Seeley F01D 5/3046
416/219 R
7,093,403 B2 8/2006 Hunting et al.
7,654,025 B2 2/2010 Hunting et al.

OTHER PUBLICATIONS

W9101000 Dovetail Keys [online], [site visited Feb. 25, 2021]. Available from internet, URL:<<https://hoffmann-usa.com/w9101000-dovetail-keys-size-w1-3-8-10mm-for-1-2-and-thicker-stock/>> (Year: 2021).*

Installing MirrorMate Frames® on Free-Floating Mirrors using Placement Corners [online], [site visited Feb. 25, 2021]. Available from internet, URL:<<https://www.youtube.com/watch?v=6Y3s-uSJYxl>> (Year: 2018).*

* cited by examiner

Primary Examiner — Cynthia Ramirez
Assistant Examiner — Xavier Marti-Santos

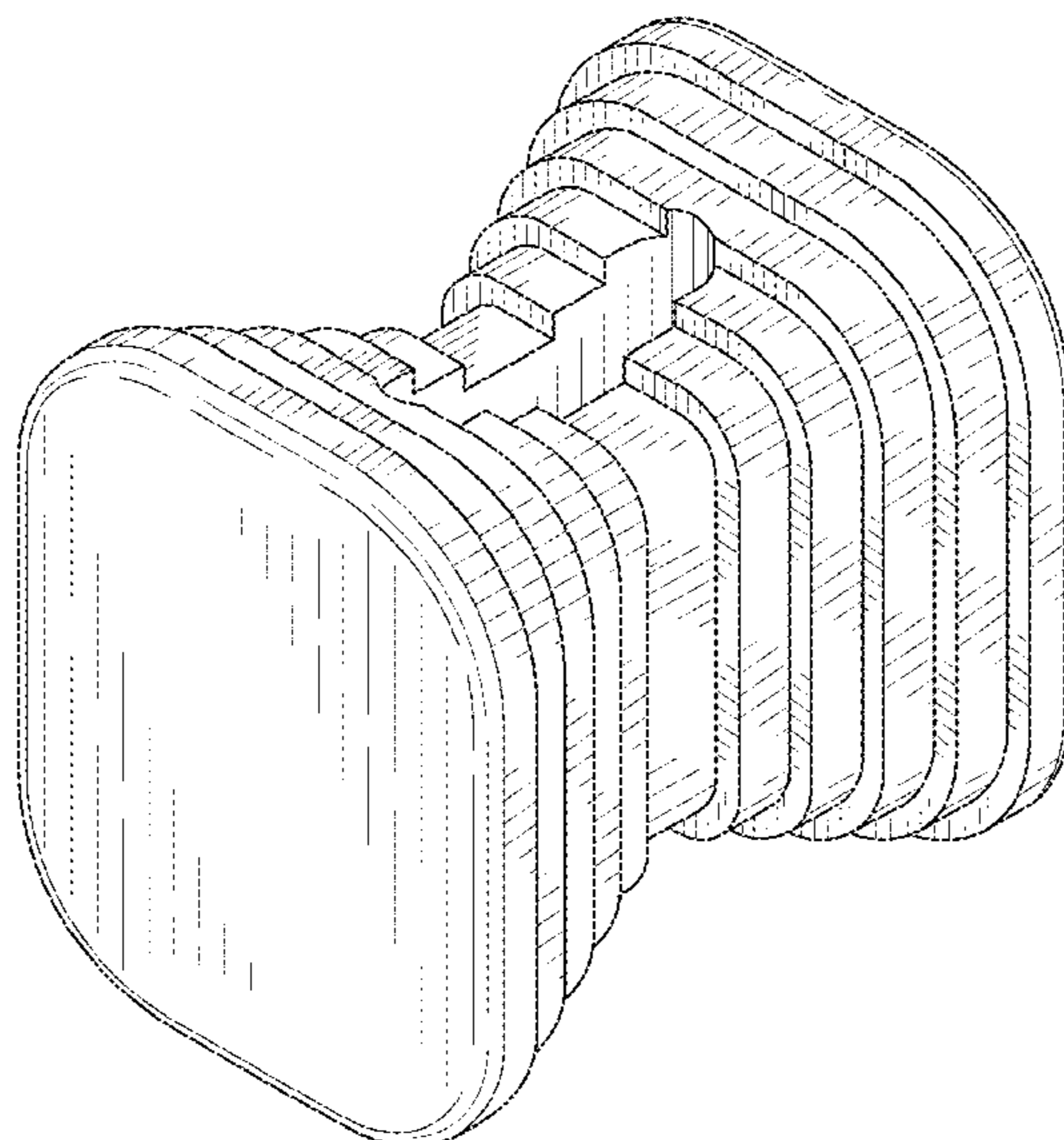
(57) **CLAIM**

The ornamental design for a dovetail element for mirror frame attachment, as shown and described.

DESCRIPTION

FIG. 1 is a top perspective view of the dovetail element for mirror frame attachment;
FIG. 2 is a bottom perspective view of the dovetail element for mirror frame attachment shown in FIG. 1;
FIG. 3 is a top view of the dovetail element for mirror frame attachment;
FIG. 4 is a front view of the dovetail element for mirror frame attachment;
FIG. 5 is side view looking from the right side of the dovetail element for mirror frame attachment; and,
FIG. 6 is a side view looking from the left side of the dovetail element for mirror frame attachment.

1 Claim, 4 Drawing Sheets



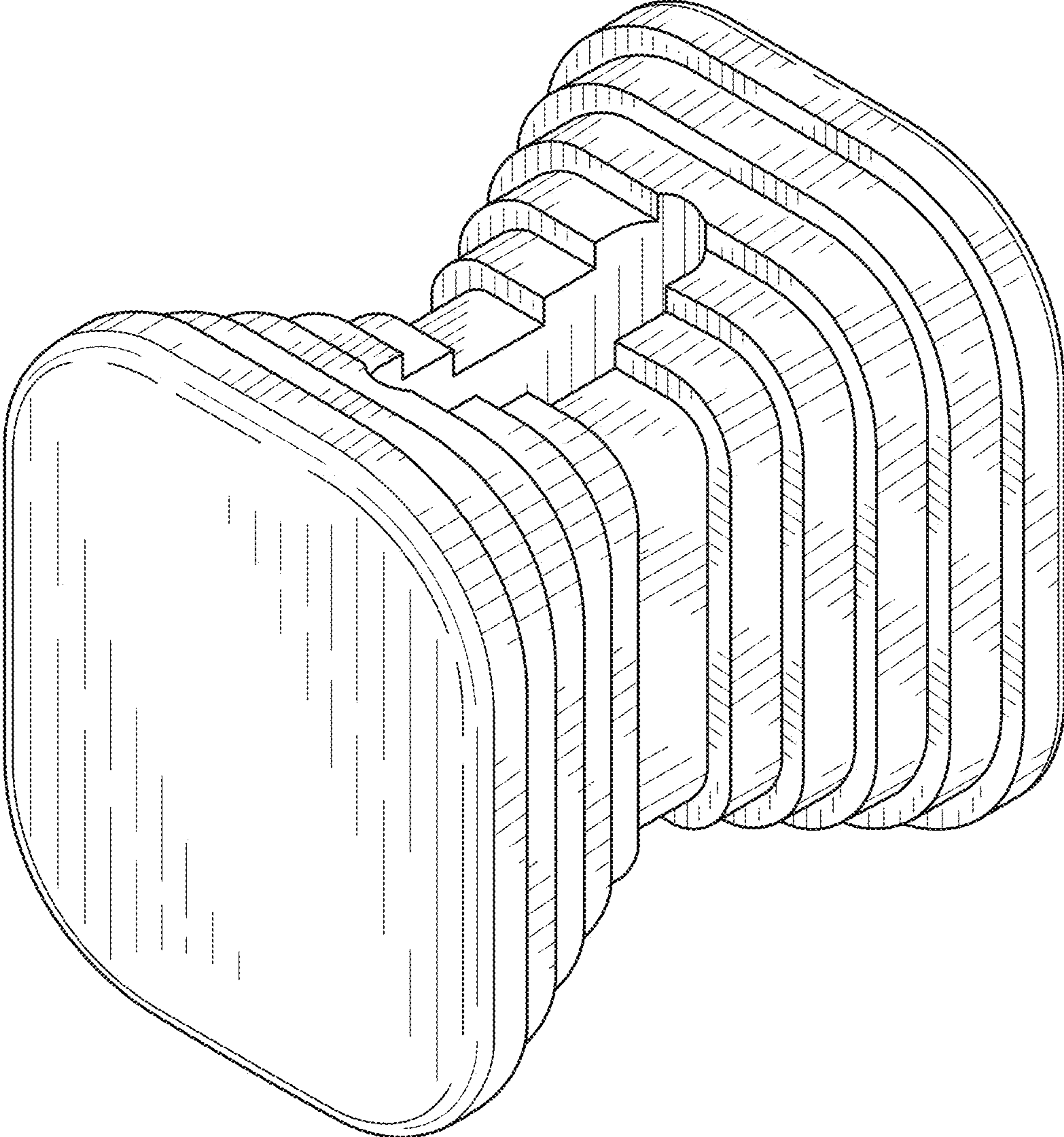


FIG. 1

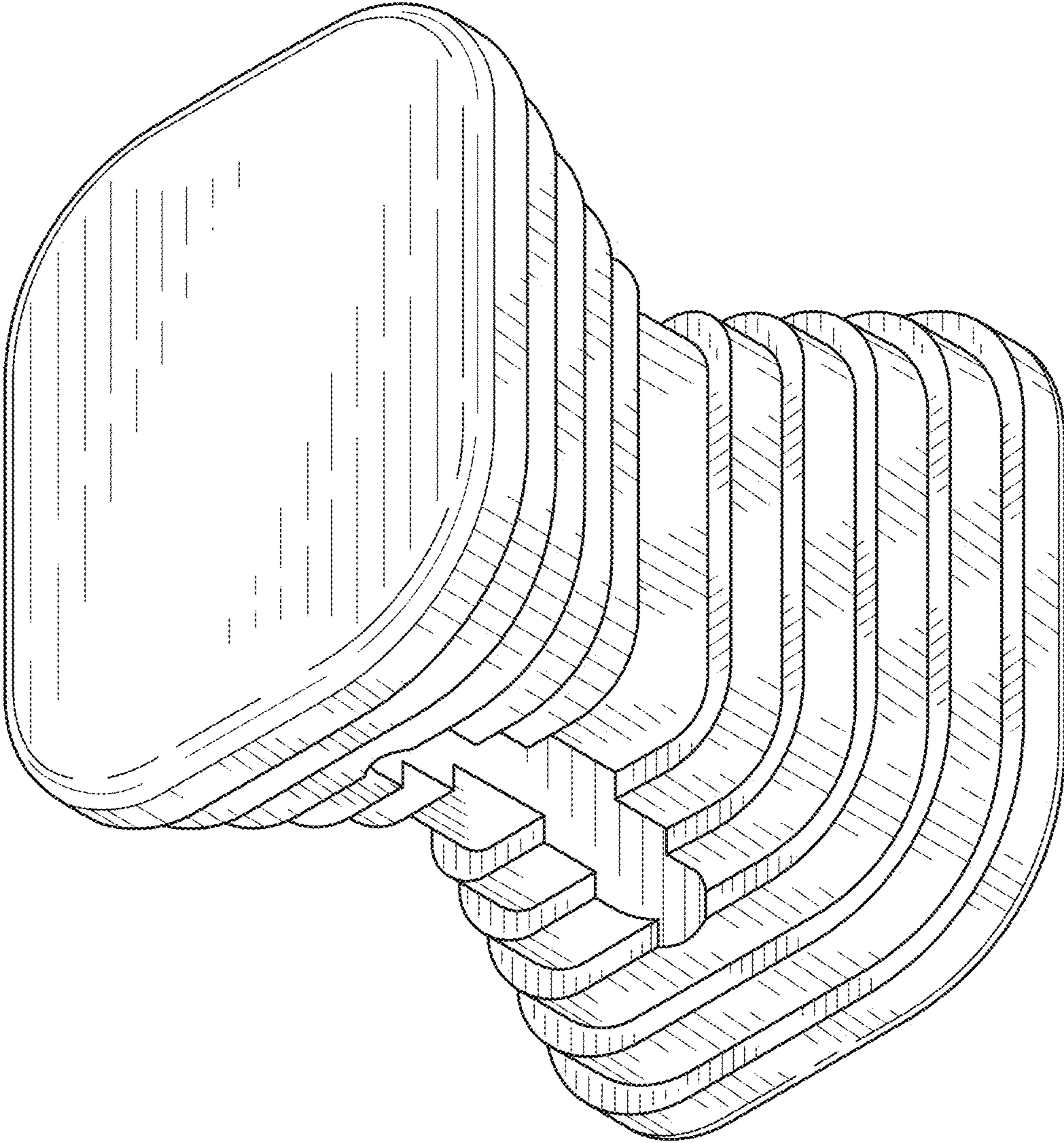


FIG. 2

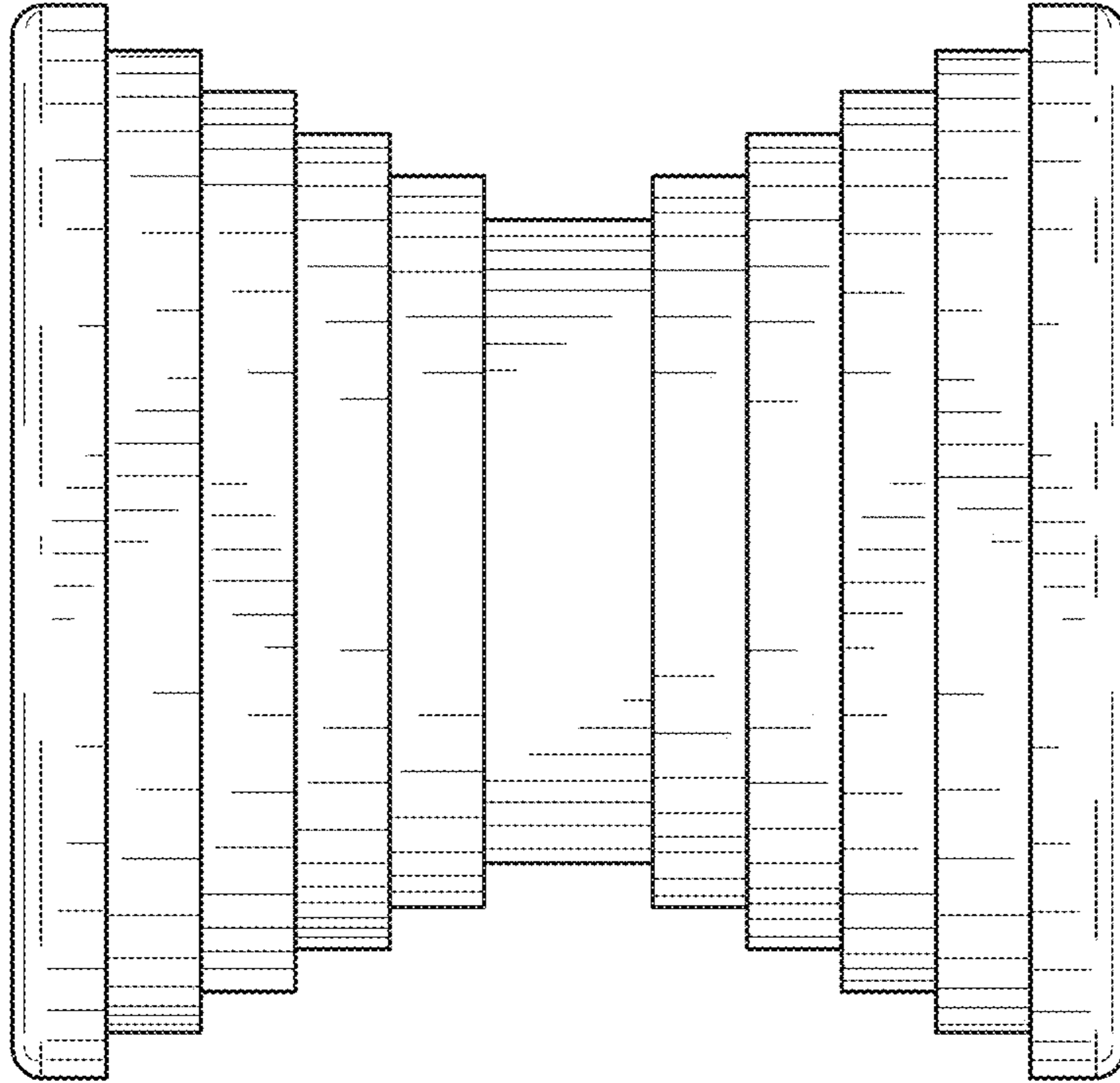


FIG. 4

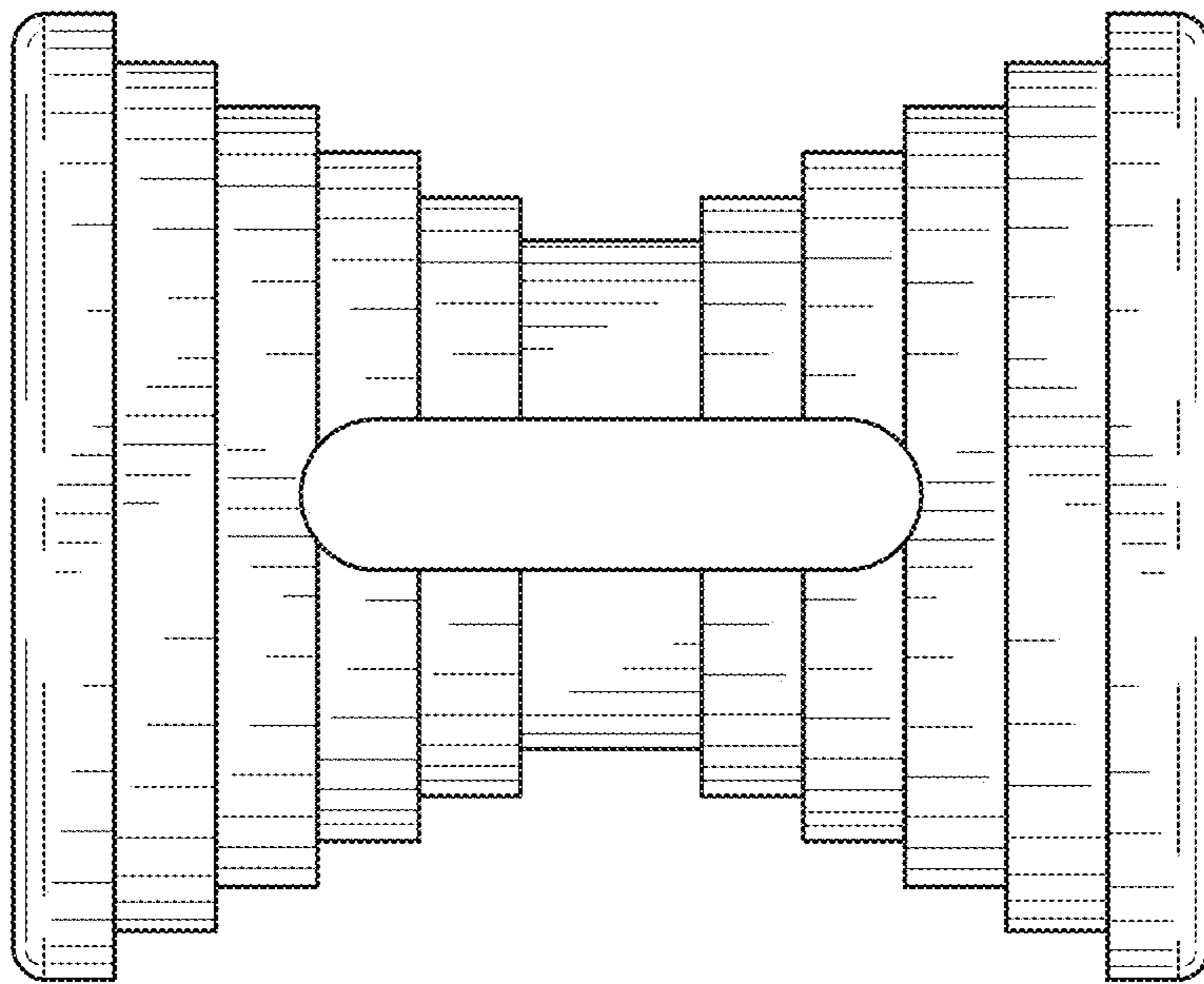


FIG. 3

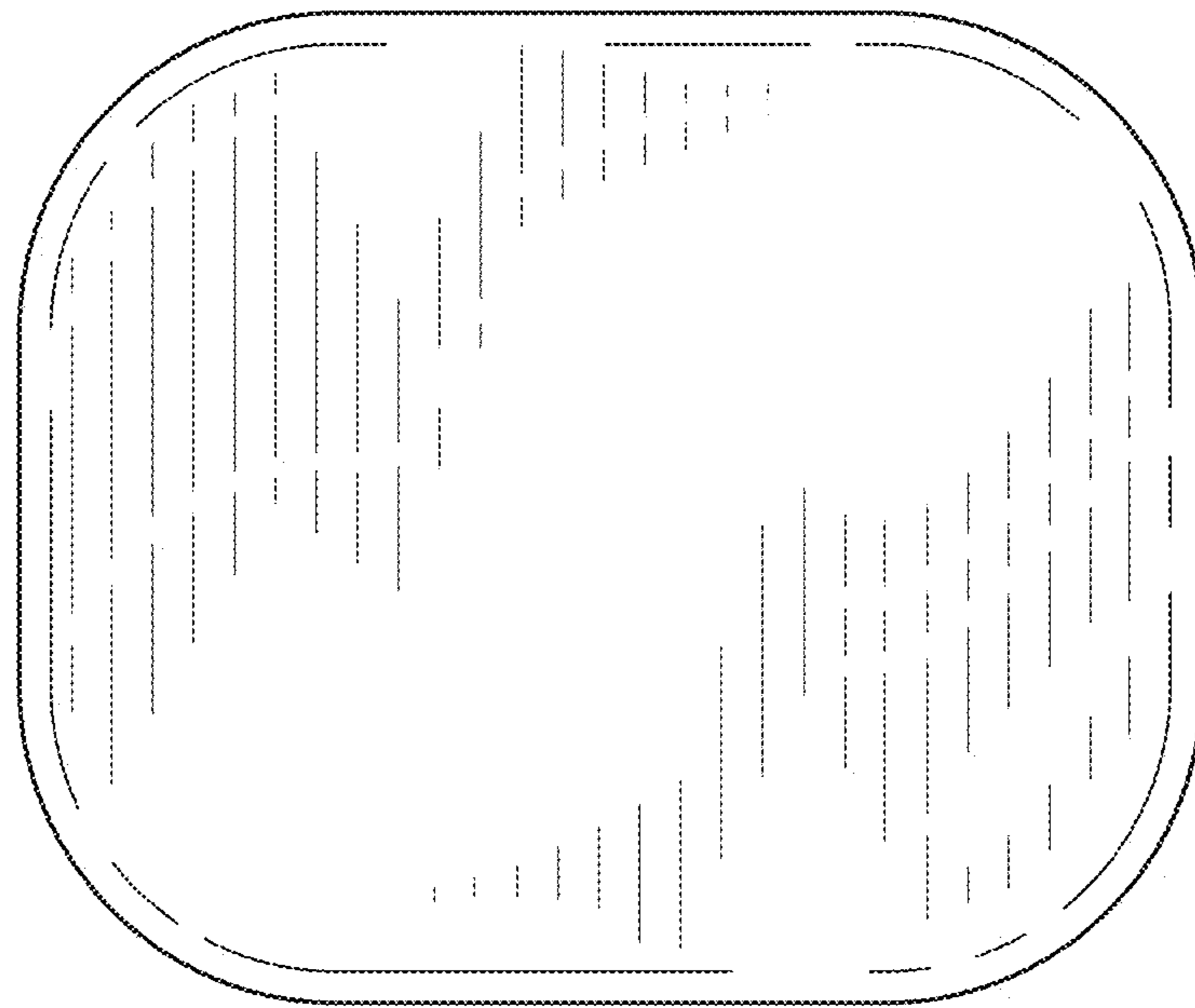


FIG. 5

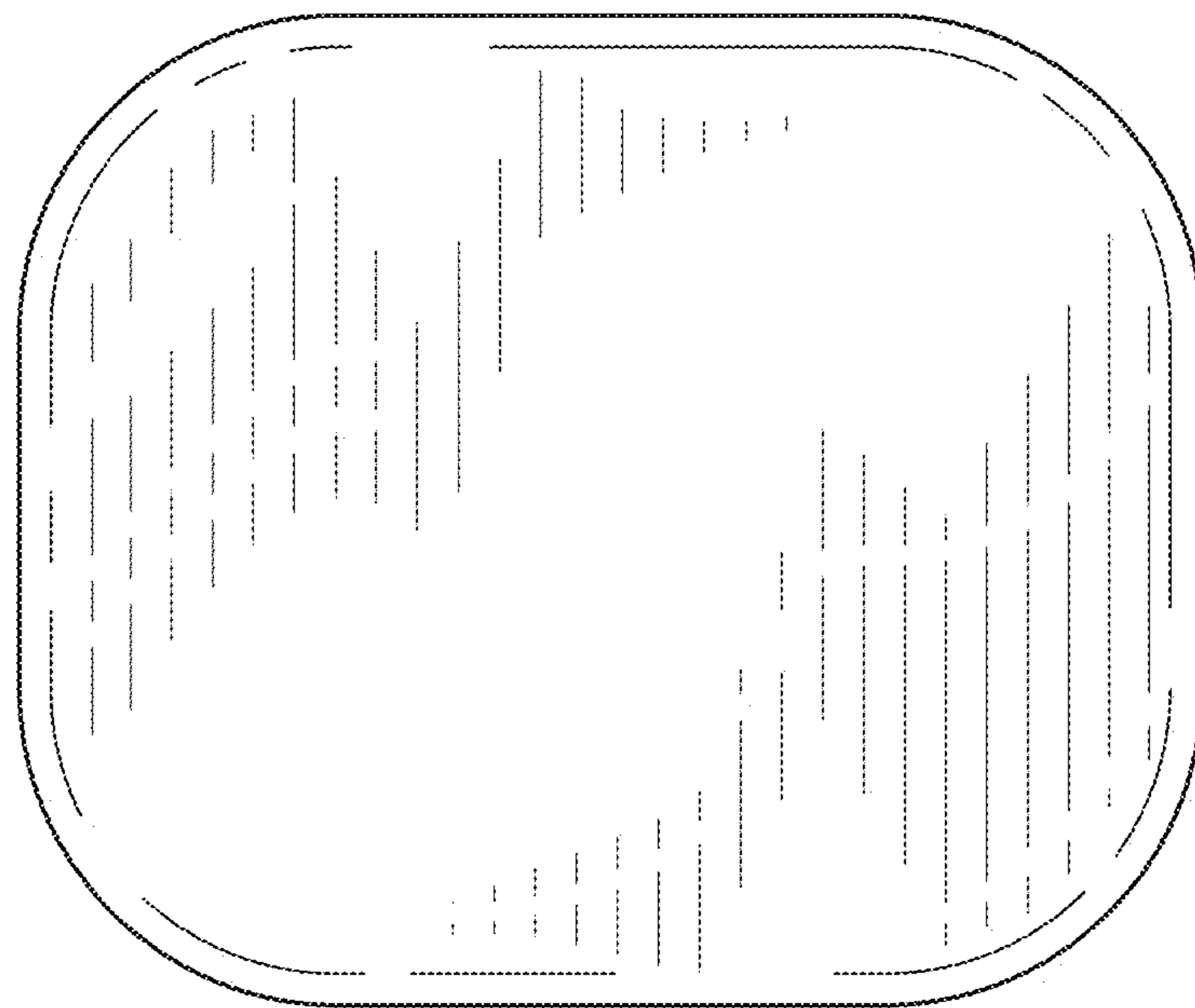


FIG. 6