



US00D941592S

(12) **United States Design Patent**  
**Russo**

(10) **Patent No.:** **US D941,592 S**  
(45) **Date of Patent:** **\*\* Jan. 25, 2022**

(54) **BRUSH WITH LIGHT EMITTING DIODES**

(71) Applicant: **J & D Brush Co., LLC**, Commack, NY (US)

(72) Inventor: **Melissa Russo**, Commack, NY (US)

(73) Assignee: **J & D Brush Co., LLC**, Commack, NY (US)

(\*\*) Term: **15 Years**

(21) Appl. No.: **29/720,609**

(22) Filed: **Jan. 14, 2020**

(51) **LOC (13) Cl.** ..... **04-99**

(52) **U.S. Cl.**  
USPC ..... **D4/138**

(58) **Field of Classification Search**  
USPC ..... D4/130, 131, 132, 133, 134, 135, 136,  
D4/137, 138; D8/80, 83; D30/158, 159  
CPC ..... Y10S 15/10; A46B 2200/1046; A46B  
2200/104; A46B 9/023; A46B 9/02  
See application file for complete search history.

(56) **References Cited**

**U.S. PATENT DOCUMENTS**

8,595,885	B1 *	12/2013	Weinstein	.....	A46B 9/06 15/160
D768,389	S *	10/2016	Rosenzweig	.....	D4/114
D770,778	S *	11/2016	Rosenzweig	.....	D4/136
D785,950	S *	5/2017	Rosenzweig	.....	D4/138
D796,209	S *	9/2017	Hu	.....	D4/117
D796,210	S *	9/2017	Hu	.....	D4/117
D809,803	S *	2/2018	Mao	.....	D4/138
D839,609	S *	2/2019	Robbins	.....	D4/134
D891,786	S *	8/2020	Robbins	.....	D4/134

D891,787	S *	8/2020	Robbins	.....	D4/134
D905,970	S *	12/2020	Rennette	.....	D4/134
2016/0338479	A1 *	11/2016	Rosenzweig	.....	A46B 5/0041
2020/0037725	A1 *	2/2020	Ahrens	.....	A46B 9/023

**OTHER PUBLICATIONS**

Wet Brush, announced Apr. 2015 [online], [site visited Jun. 15, 2021]. Available from internet, URL: [https://www.amazon.com/Wet-Brush-Ultra-soft-Intelliflex-effortlessly/dp/B082P7F8S8/ref=asc\\_df\\_B082P7F8S8/](https://www.amazon.com/Wet-Brush-Ultra-soft-Intelliflex-effortlessly/dp/B082P7F8S8/ref=asc_df_B082P7F8S8/) (Year: 2015).\*

\* cited by examiner

*Primary Examiner* — George A Bugg

*Assistant Examiner* — Tamara L Hahn

(74) *Attorney, Agent, or Firm* — Gloria Tsui-Yip, Esq.;  
Gottlieb, Rackman & Reisman, P.C.

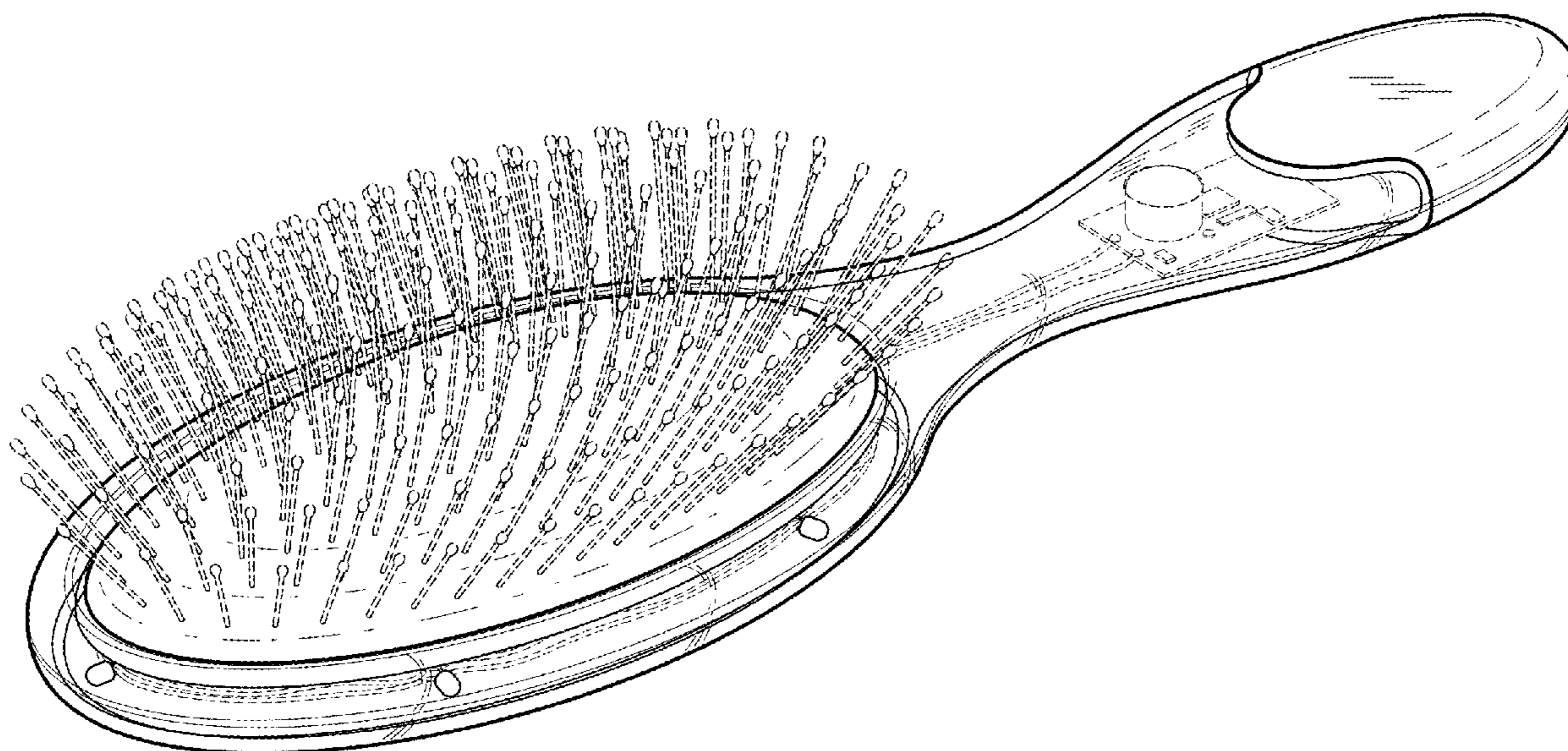
(57) **CLAIM**

The ornamental design for a brush with light emitting diodes, as shown and described.

**DESCRIPTION**

FIG. 1 is a perspective view of a brush with six light emitting diodes of my new design;  
FIG. 2 is a left side elevational view thereof;  
FIG. 3 is a front elevational view thereof;  
FIG. 4 is a right side elevational view thereof;  
FIG. 5 is a rear elevational view thereof;  
FIG. 6 is a top plan view thereof; and,  
FIG. 7 is a bottom plan view thereof.  
The broken-lines in the drawings illustrate features that form no part of the claimed design.

**1 Claim, 4 Drawing Sheets**



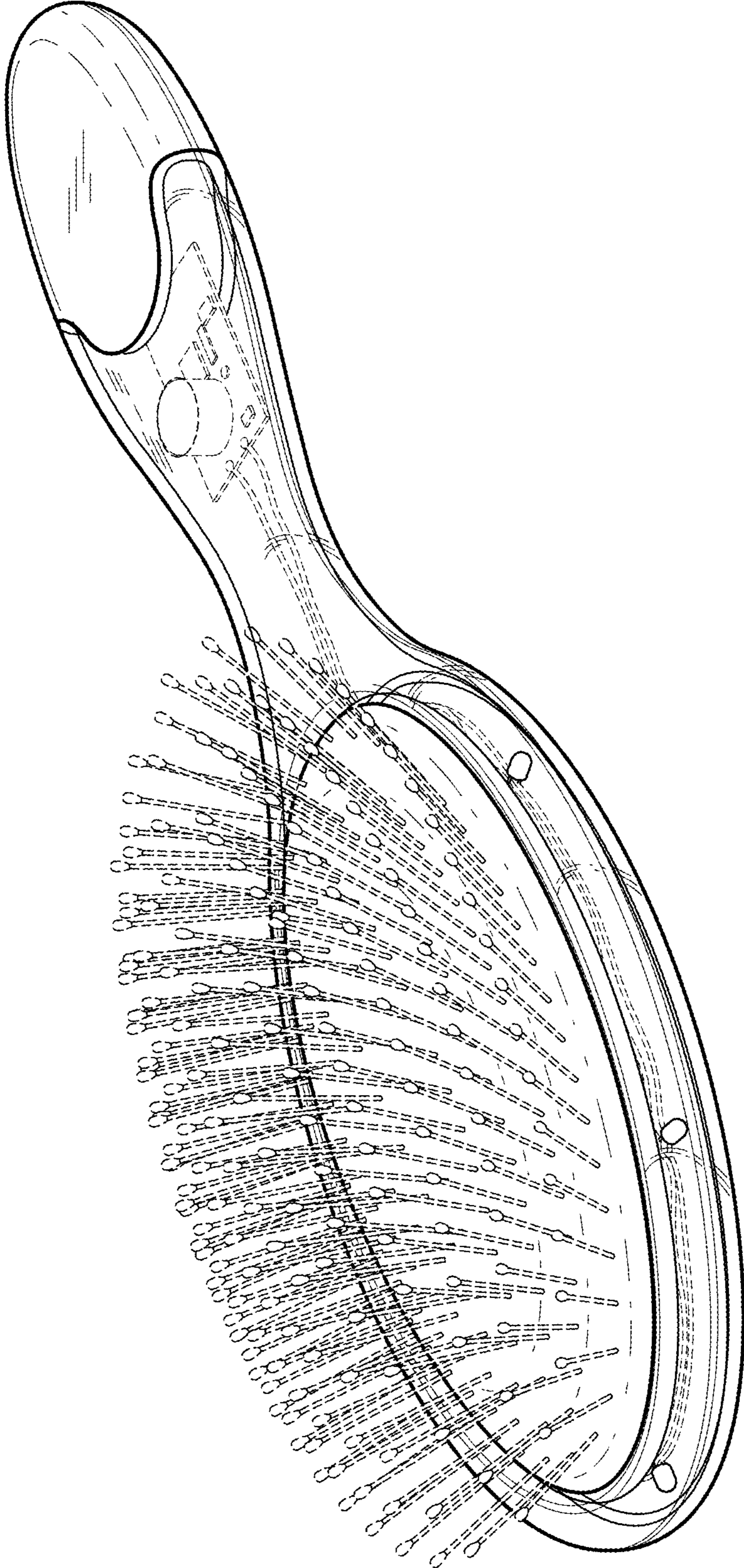


FIG.1



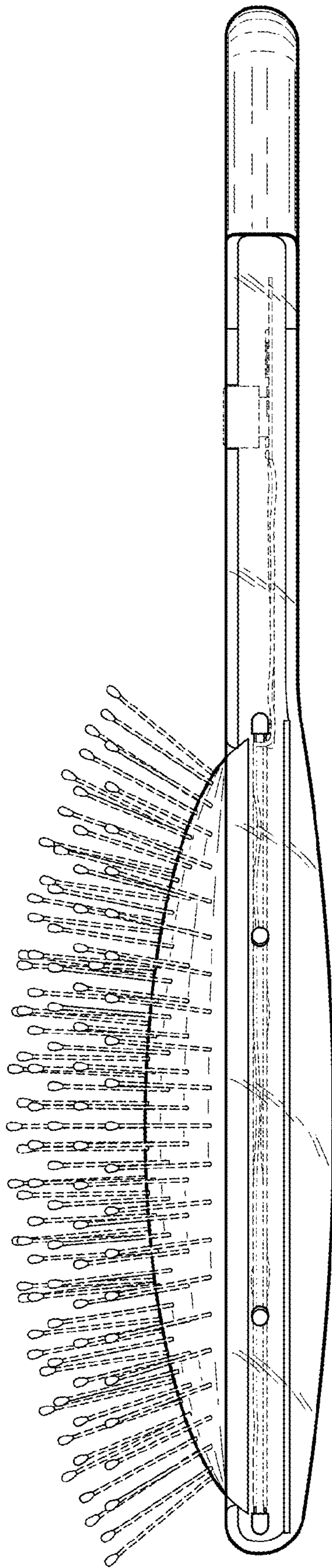


FIG. 2

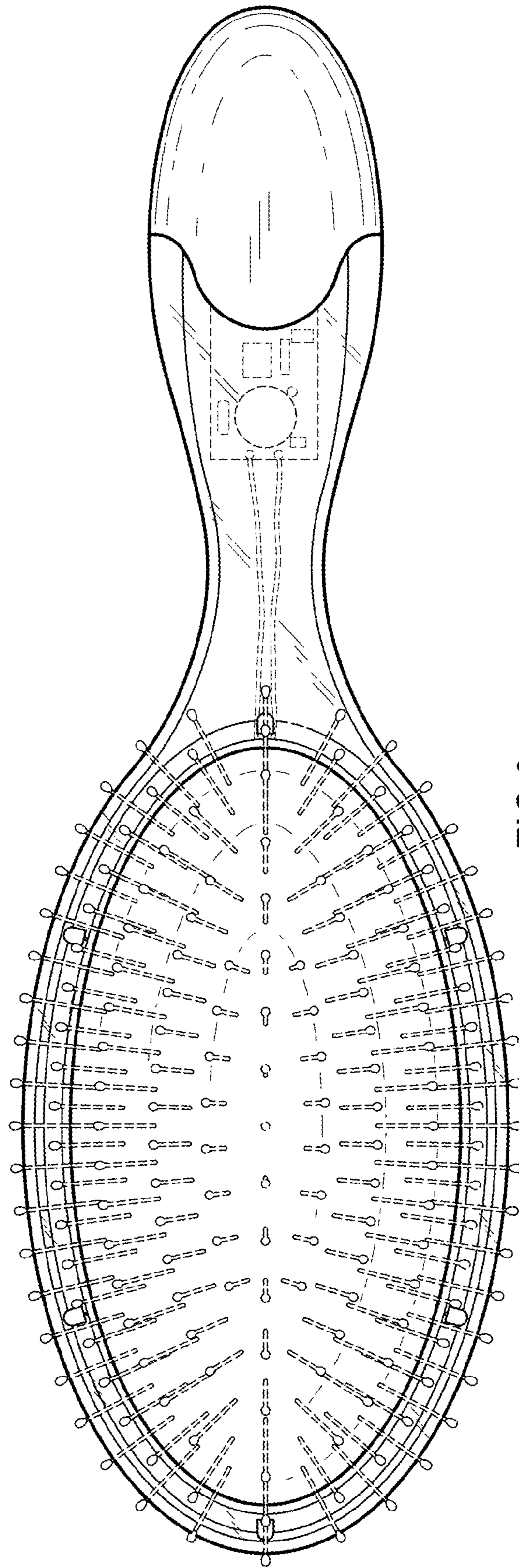


FIG. 3

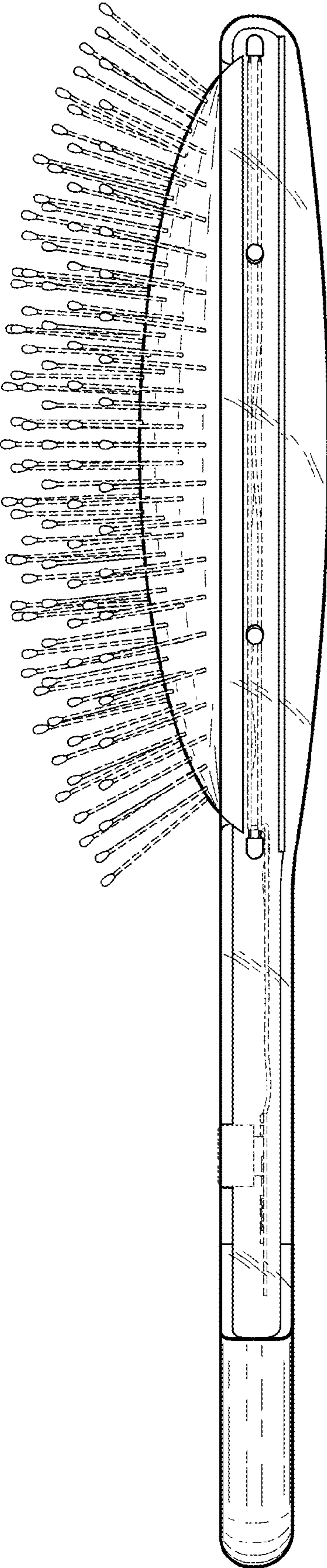


FIG. 4

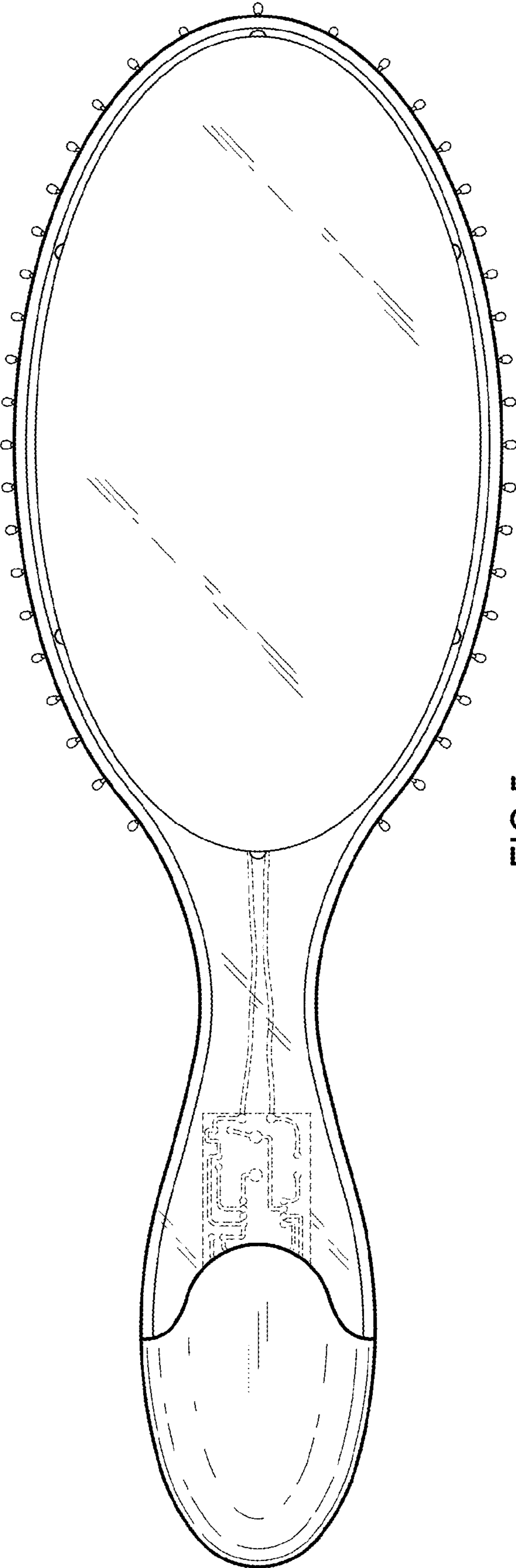


FIG. 5



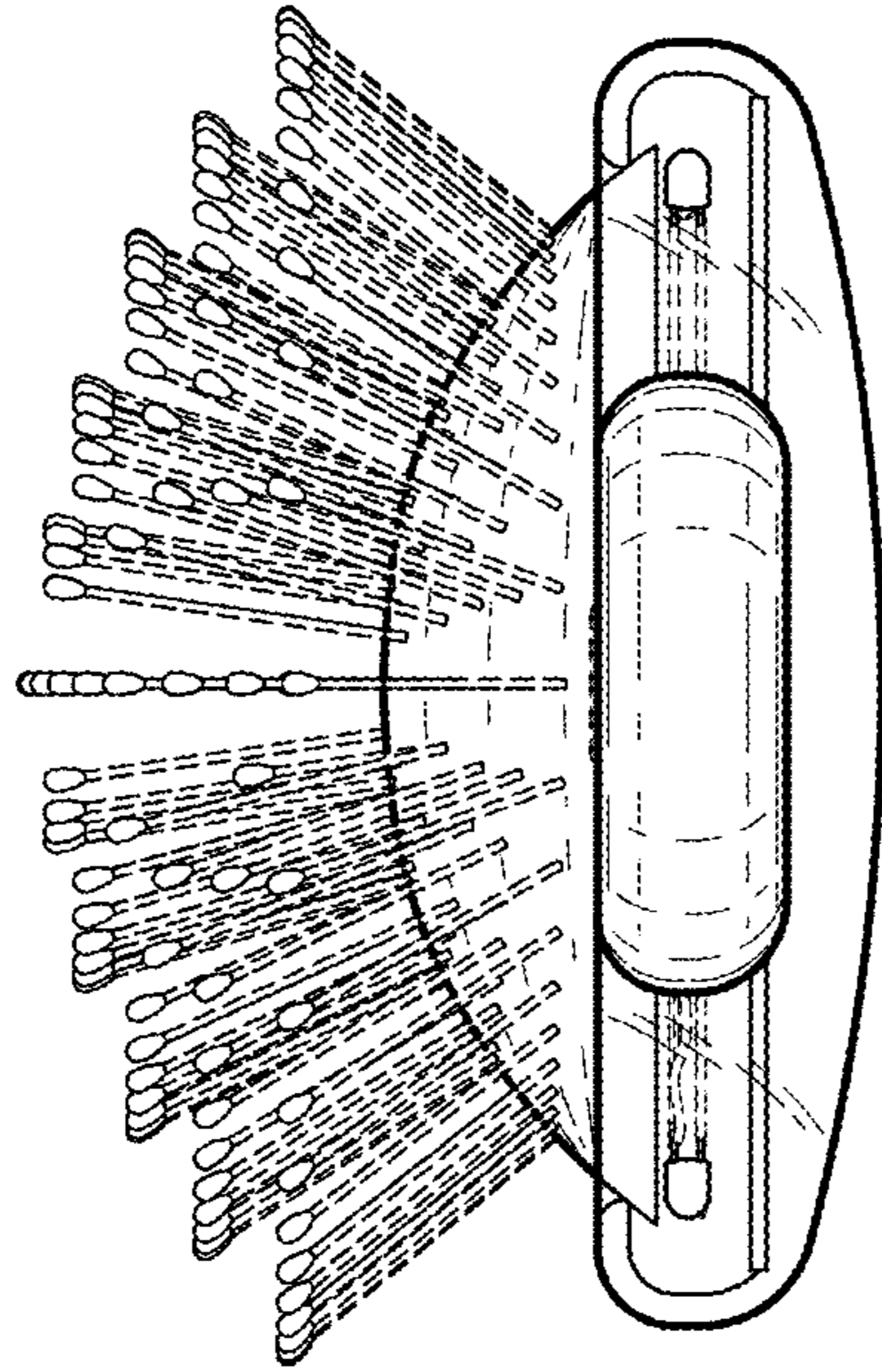


FIG. 6

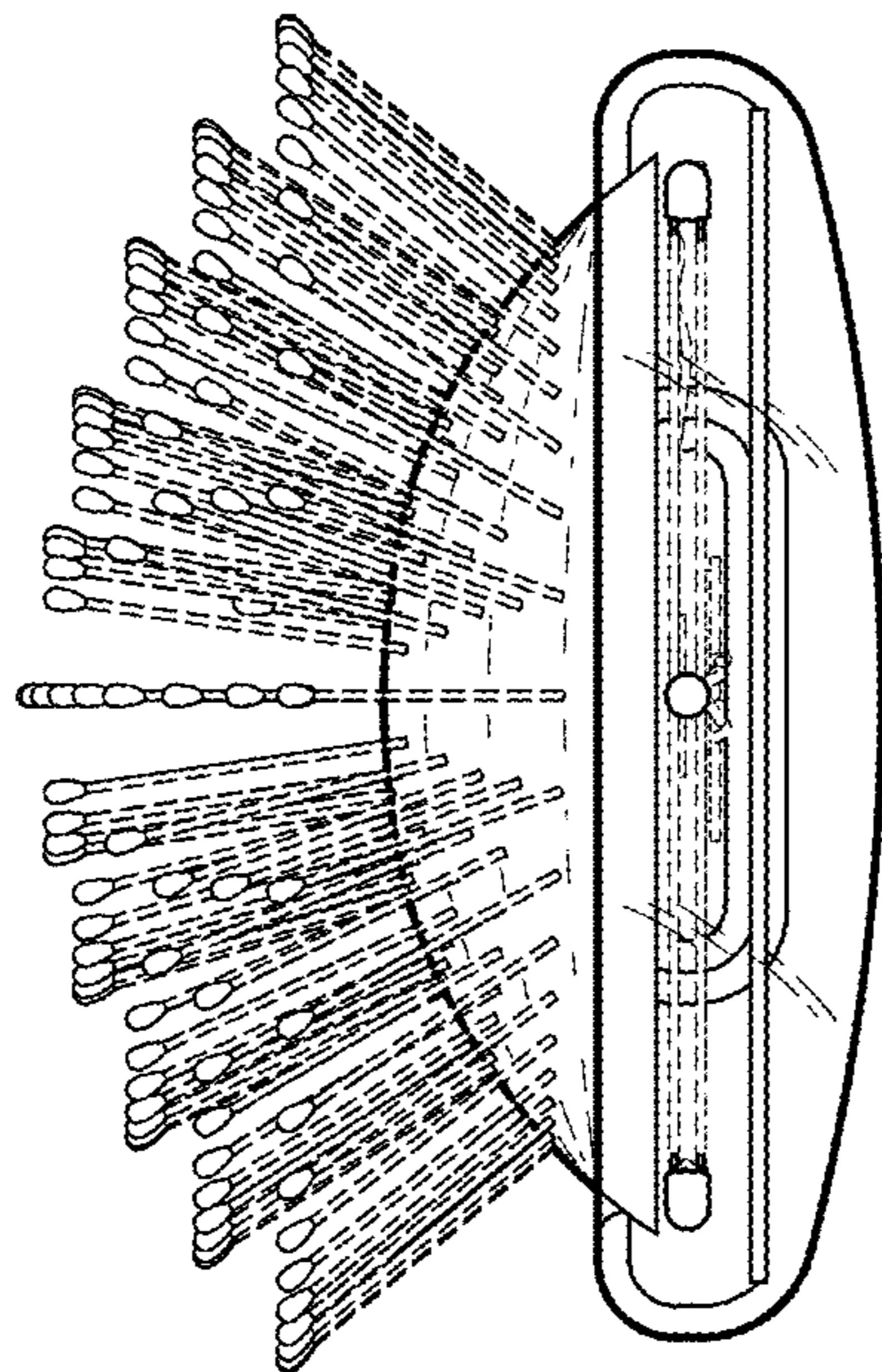


FIG. 7