



US00D941589S

(12) **United States Design Patent**
Chen

(10) **Patent No.:** **US D941,589 S**

(45) **Date of Patent:** **** Jan. 25, 2022**

(54) **HAIRBRUSH WITH RETRACTABLE BRISTLES**

(71) Applicant: **ZHONGSHAN YINGLIANG HEALTH TECHNOLOGY CO., LTD,**
Zhongshan (CN)

(72) Inventor: **Yi-Tzu Chen,** Bade (TW)

(73) Assignee: **Zhongshan Yingliang Health Technology Co., Ltd,** Zhongshan (CN)

(**) Term: **15 Years**

(21) Appl. No.: **29/730,167**

(22) Filed: **Apr. 1, 2020**

(51) **LOC (13) Cl.** **04-02**

(52) **U.S. Cl.**
USPC **D4/121; D4/130**

(58) **Field of Classification Search**
USPC D4/100, 102, 117, 118, 119, 120, 121, D4/127, 128, 129, 130, 132, 133, 134, D4/136, 137, 138, 199; D28/18, 24, 25, D28/28, 35, 13, 63; D19/904, 906; D30/158, 159; D24/211, 214
CPC A46B 5/02; A46B 9/005; A46B 9/023; A46B 9/02; A46B 9/06; A46B 2200/104; A46B 5/026; A46B 5/005; A46B 15/003; A46B 15/0059; A46B 2200/102; A45D 20/48; A45D 20/50; A45D 20/52; A45D 24/007; A45D 2/001; A45D 2/002; A45D 7/02; A47K 7/02; A61H 7/002
See application file for complete search history.

(56) **References Cited**

U.S. PATENT DOCUMENTS

1,197,511 A * 9/1916 Loewenherz A46B 9/02
15/160
2,851,713 A * 9/1958 Tupper A47K 7/02
15/105

D198,521 S * 6/1964 Harris D4/117
D365,930 S * 1/1996 Huen D28/25
5,638,608 A * 6/1997 Dorber A45D 20/122
132/116
D438,387 S * 3/2001 Sharp D4/121
D478,174 S * 8/2003 Huang D24/212
D782,827 S * 4/2017 Jenkins D4/136
D830,704 S * 10/2018 Treeby D4/134
2021/0161285 A1 * 6/2021 Chen B65D 83/285

FOREIGN PATENT DOCUMENTS

CN 305344915 * 9/2019
TW M595419 U * 5/2020

* cited by examiner

Primary Examiner — Karen E Eldridge Powers

(74) *Attorney, Agent, or Firm* — Pai Patent & Trademark Law Firm; Chao-Chang David Pai

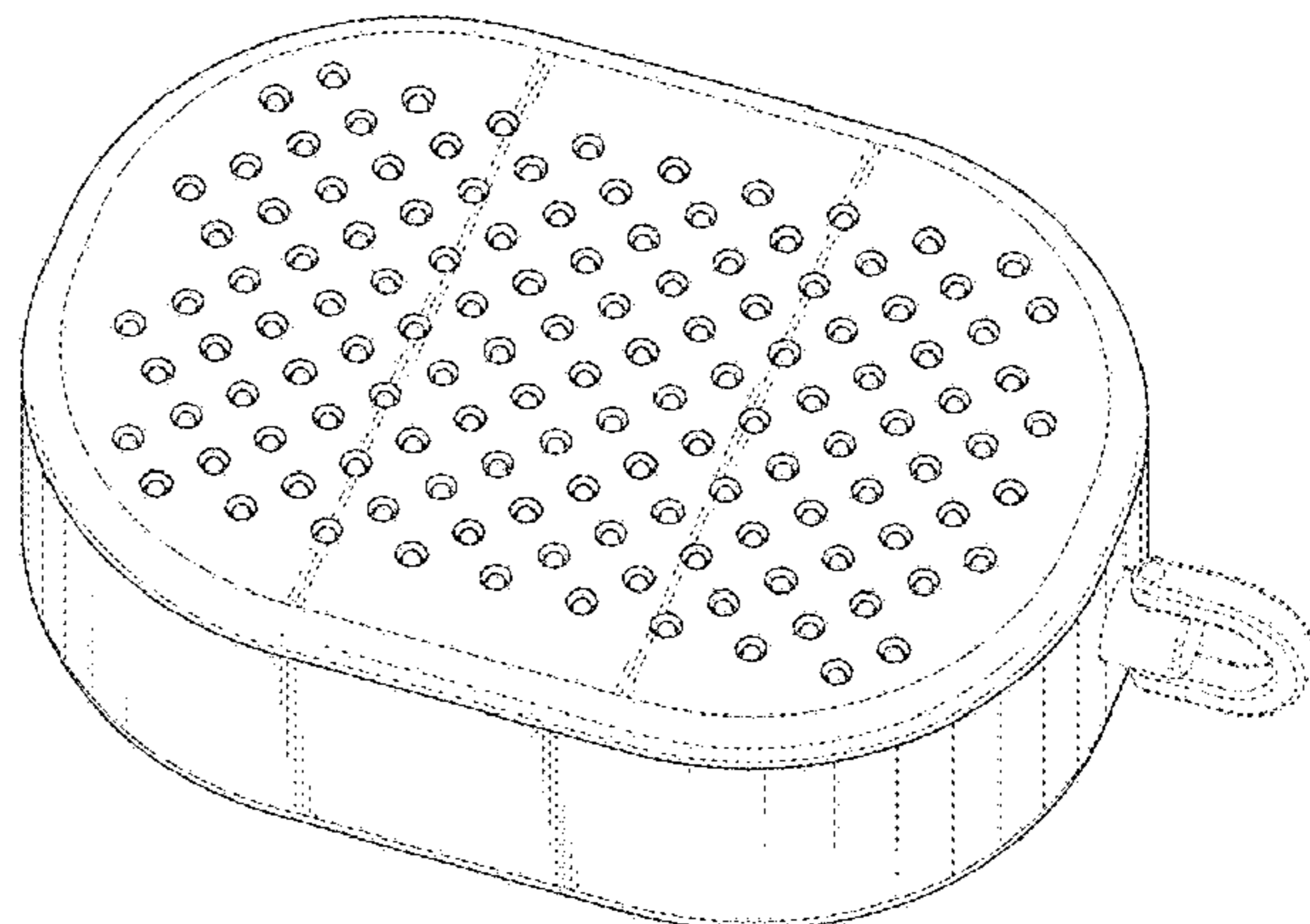
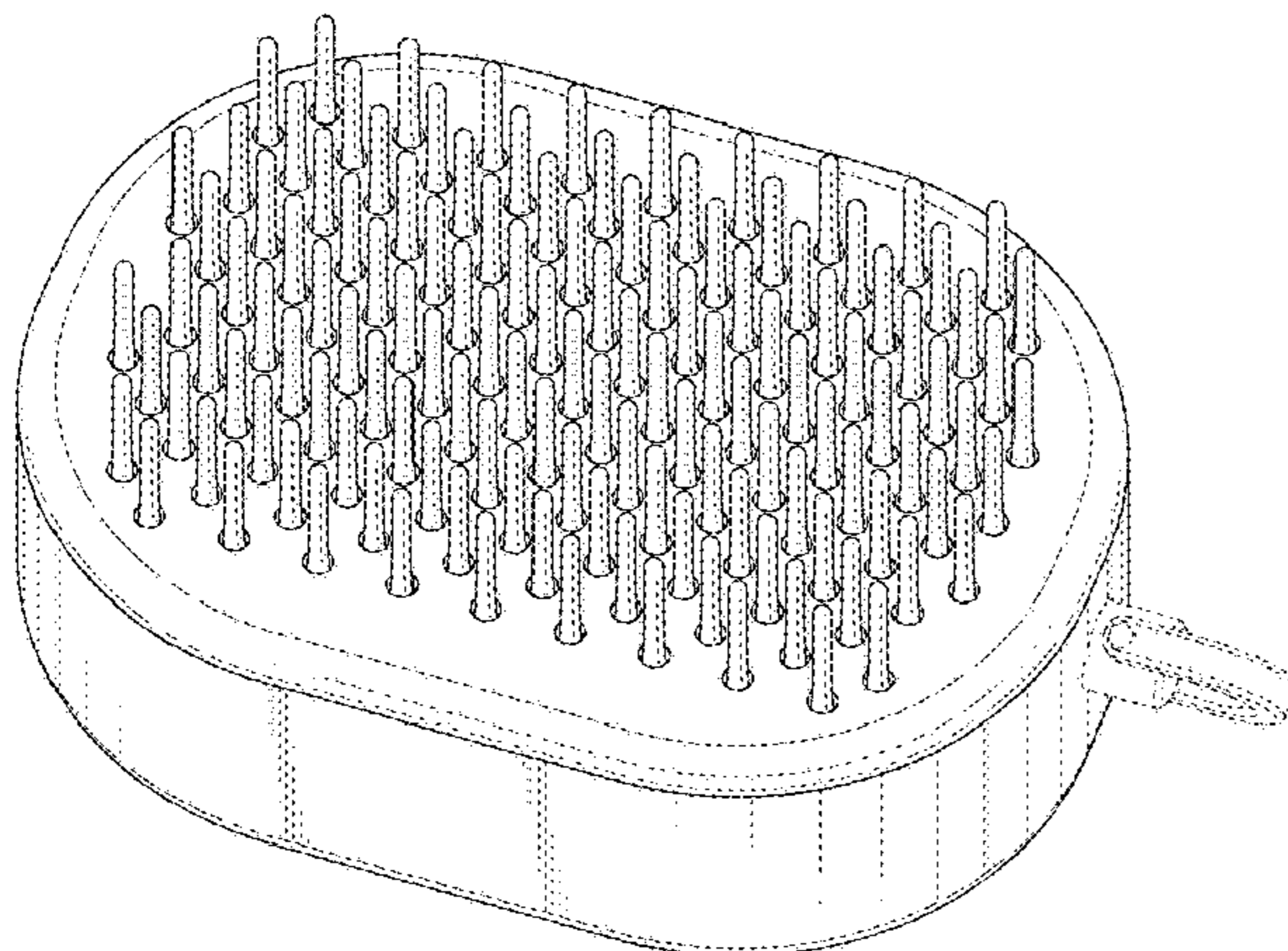
(57) **CLAIM**

The ornamental design for a hairbrush with retractable bristles, as shown and described.

DESCRIPTION

FIG. 1 is a perspective view of a hairbrush with retractable bristles showing my new design;
FIG. 2 is a front elevation view thereof;
FIG. 3 is a rear elevation view thereof;
FIG. 4 is a left side elevation view thereof;
FIG. 5 is a right side elevation view thereof;
FIG. 6 is a top plan view thereof;
FIG. 7 is a bottom plan view thereof;
FIG. 8 is a perspective view thereof showing bristles of the hairbrush retracted into the body of the hairbrush; and,
FIG. 9 is a front elevation view thereof showing the bristles of the hairbrush retracted into the body of the hairbrush.
The broken lines in the figures depict portions of the article which form no part of the claimed design.

1 Claim, 9 Drawing Sheets



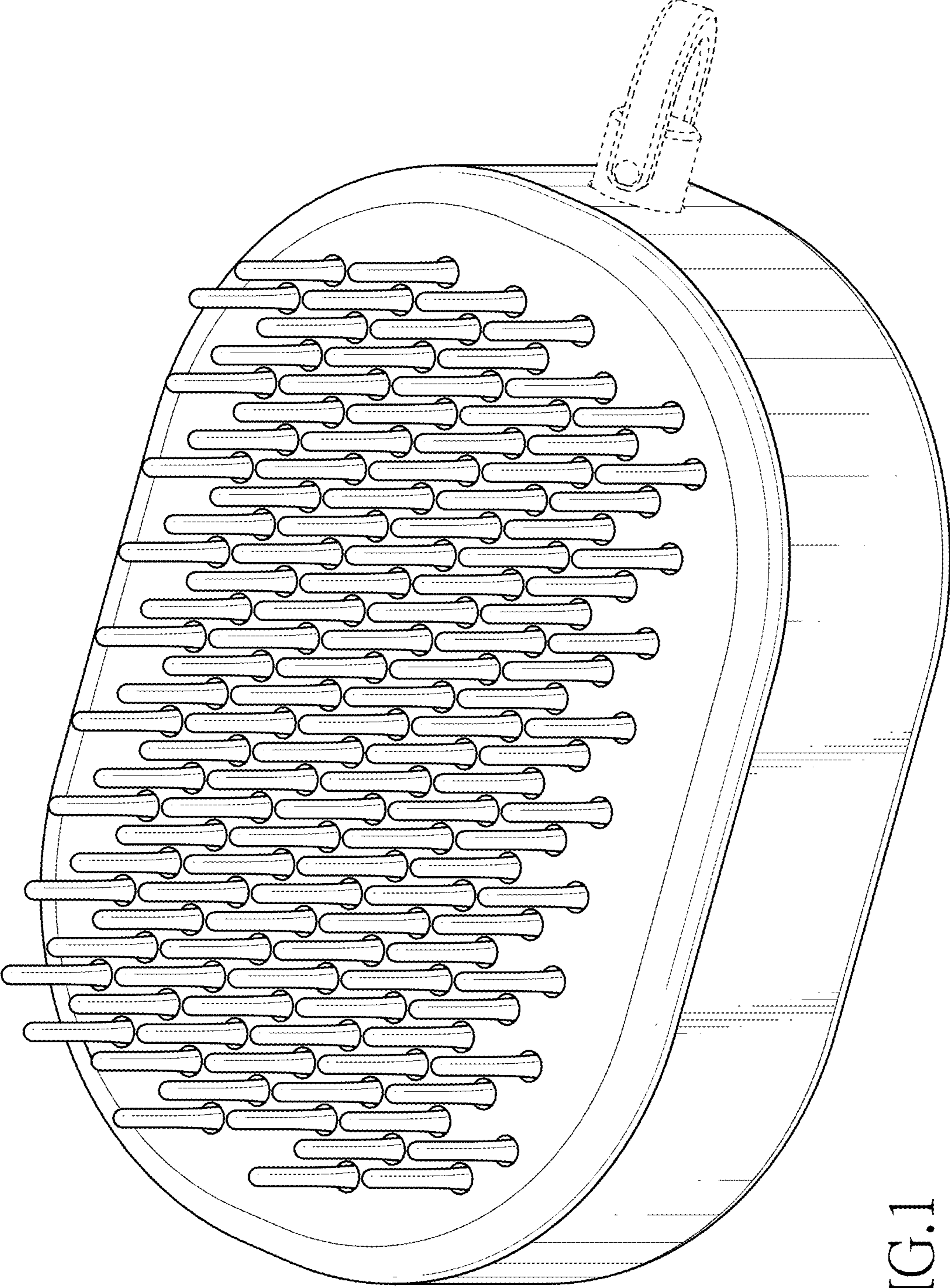


FIG.1

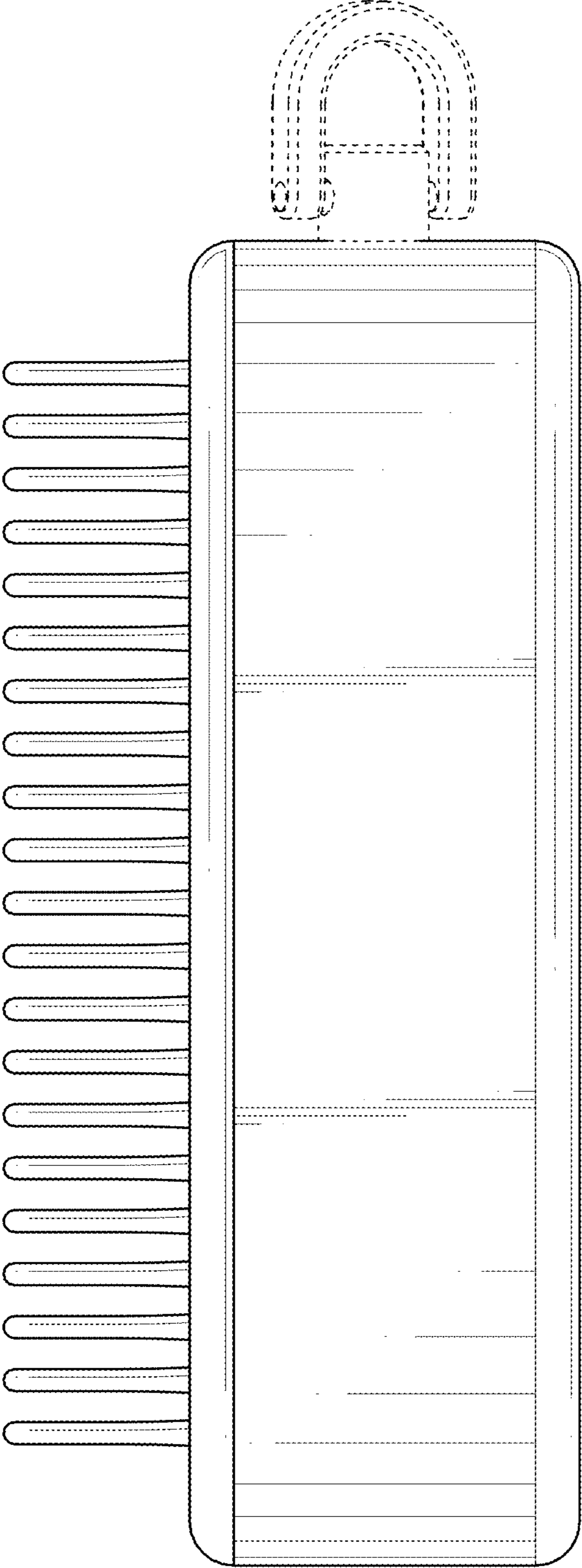


FIG.2

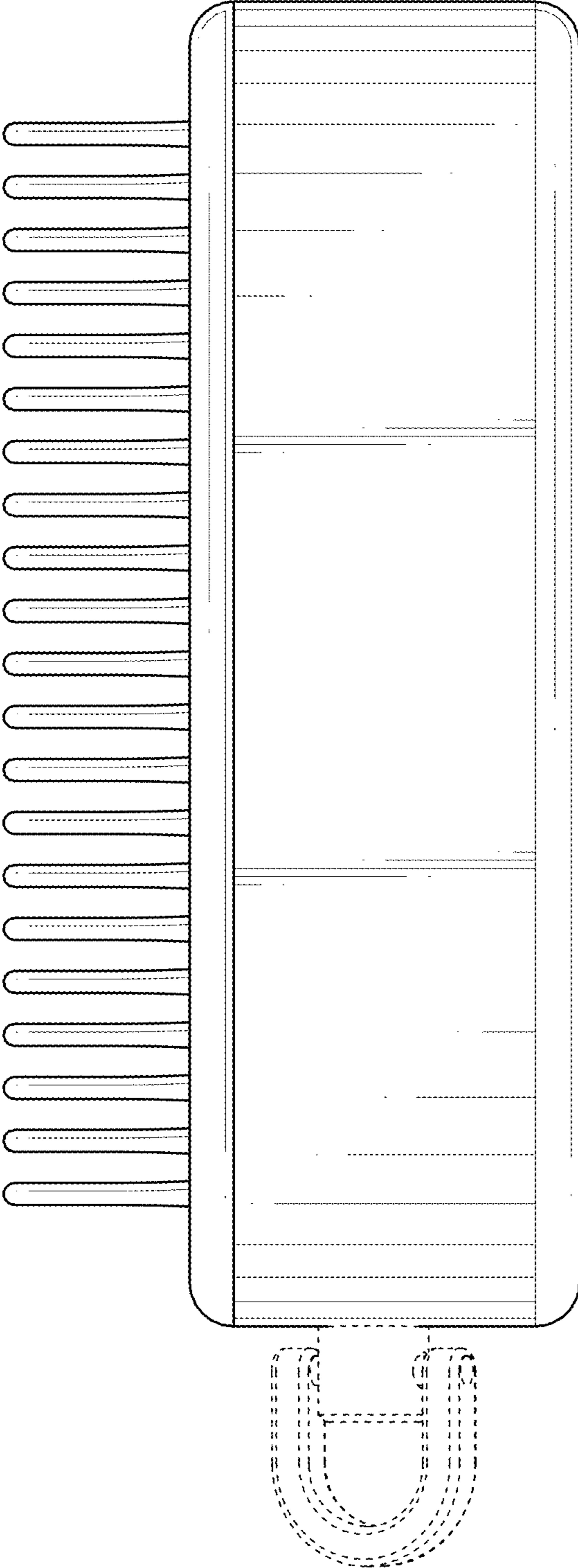


FIG. 3

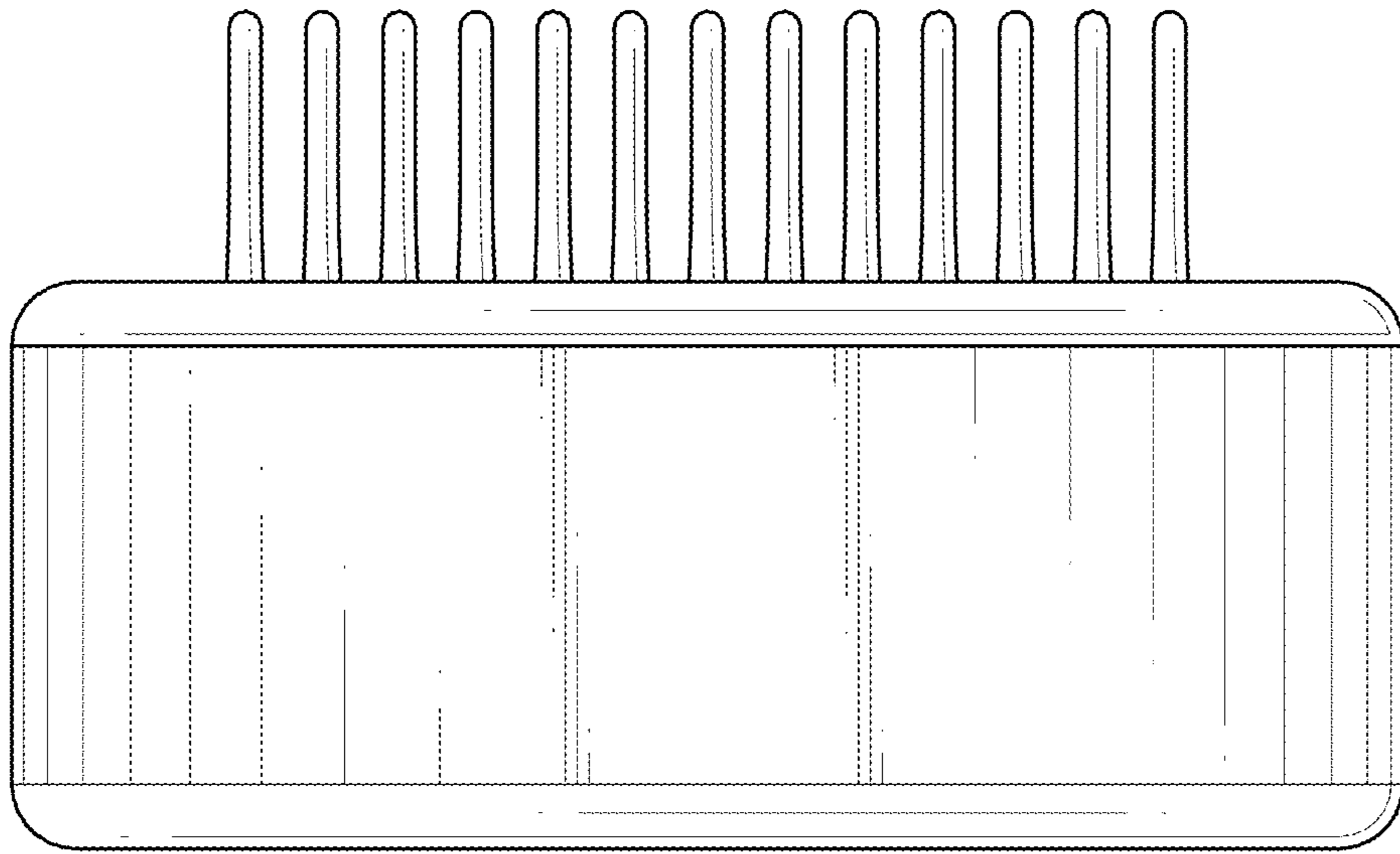


FIG.4

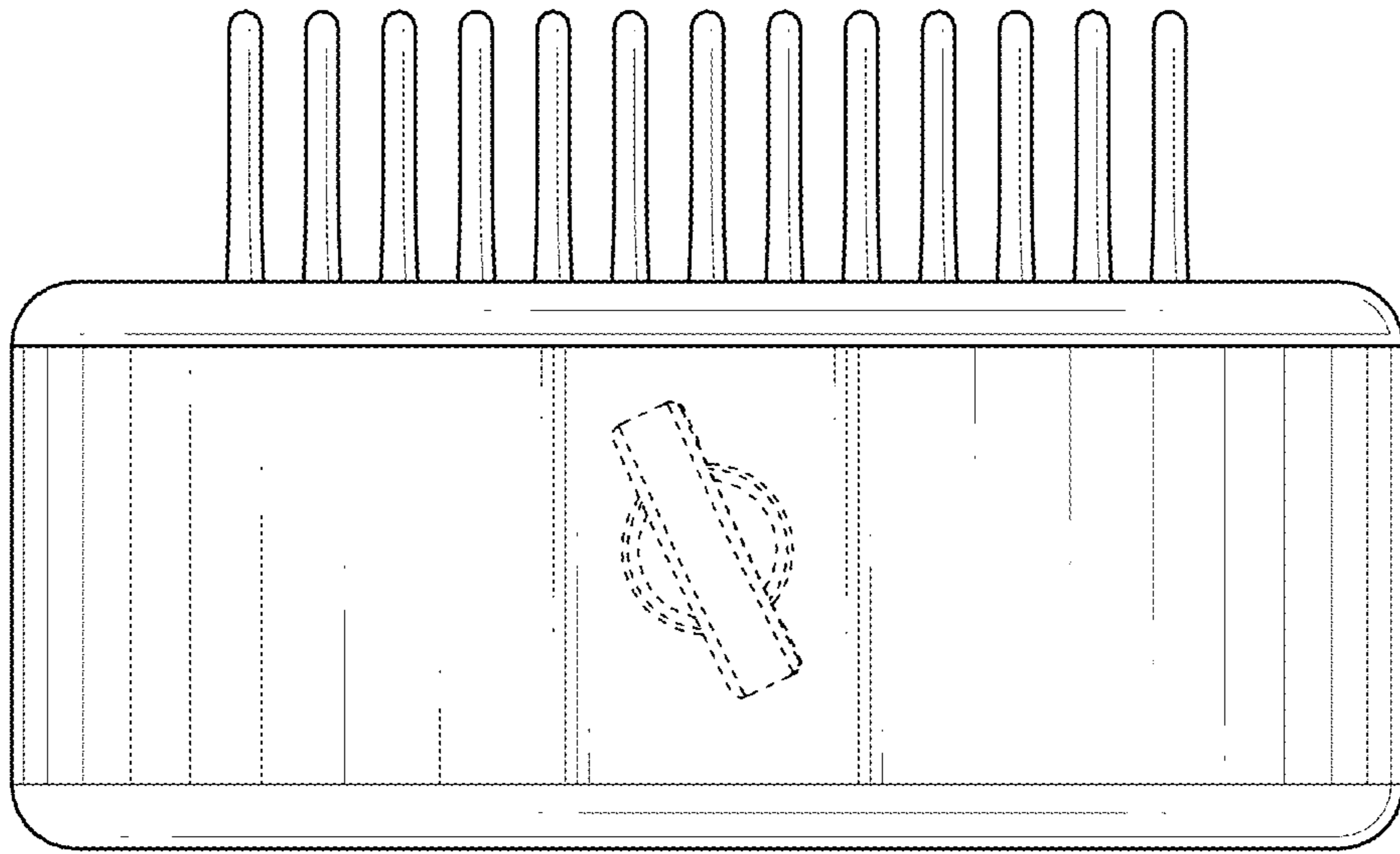


FIG.5

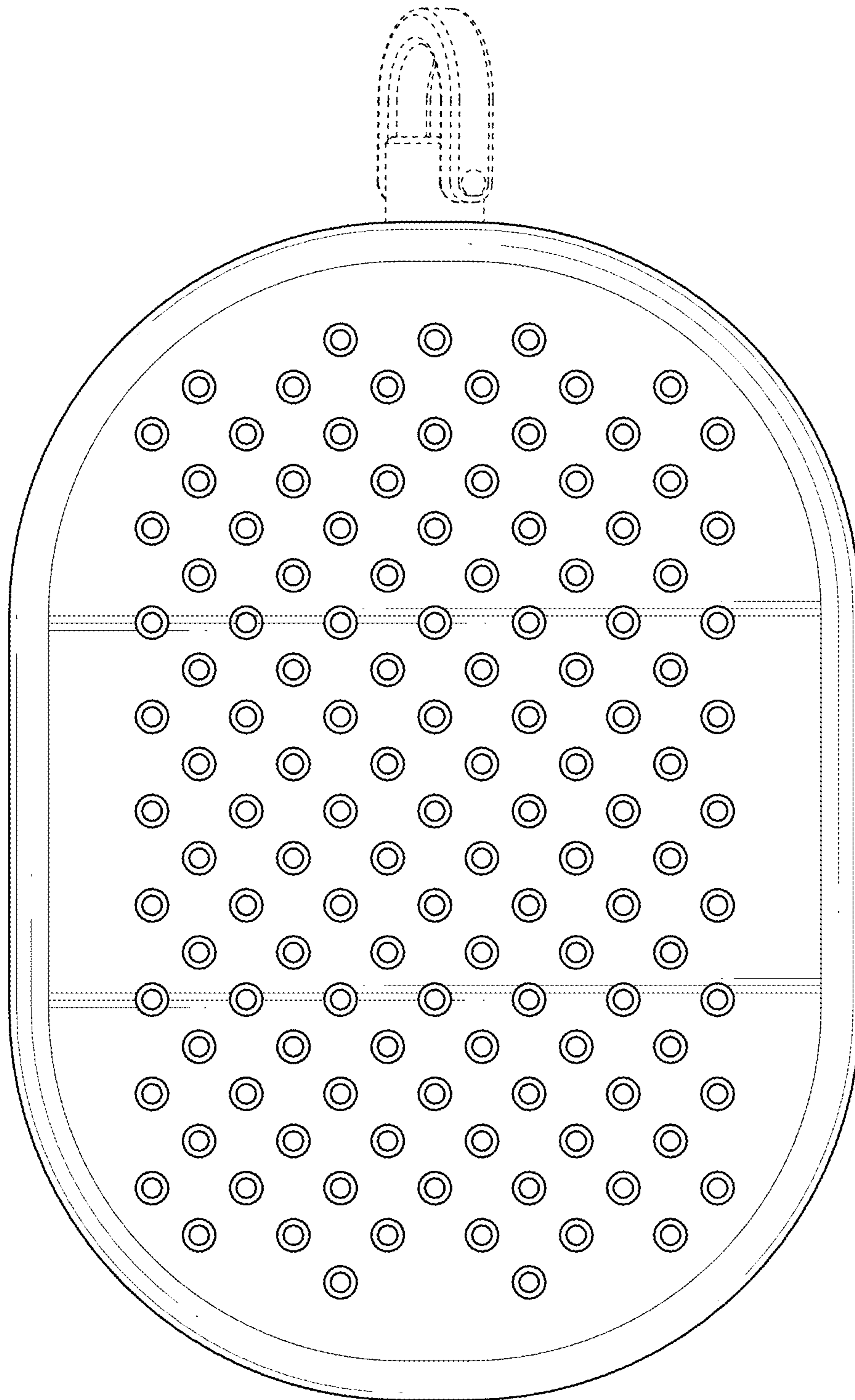


FIG.6

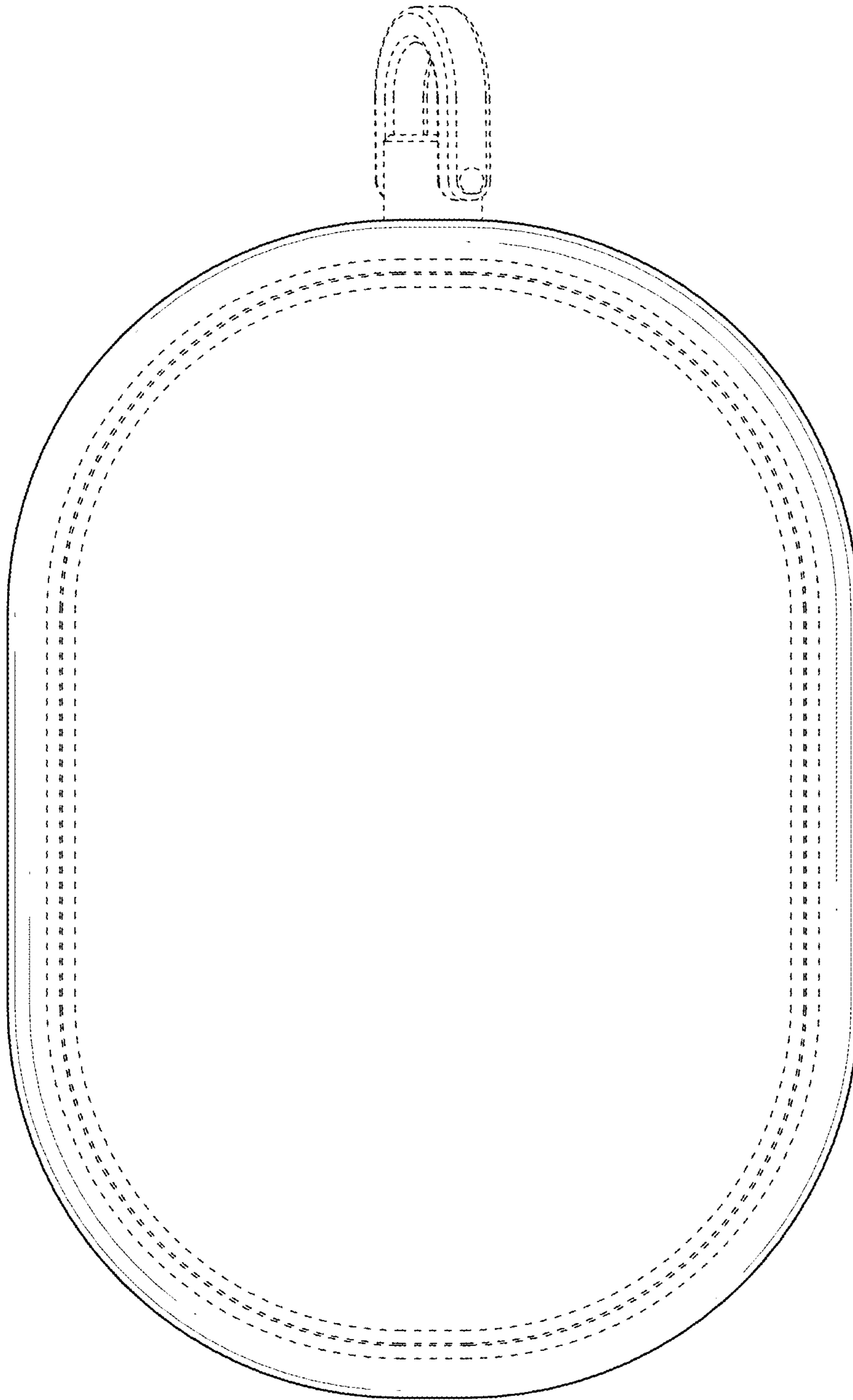


FIG. 7

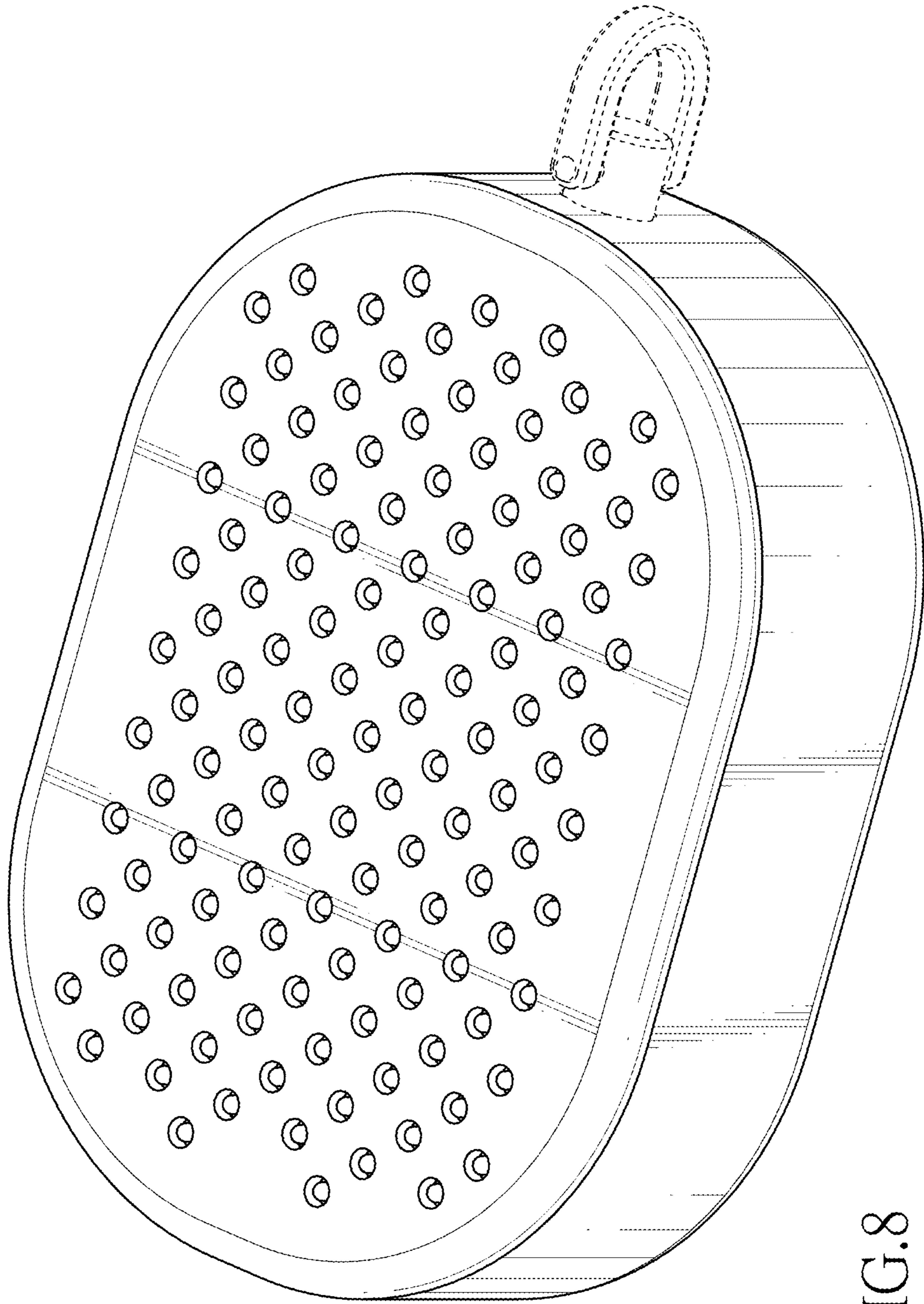


FIG. 8

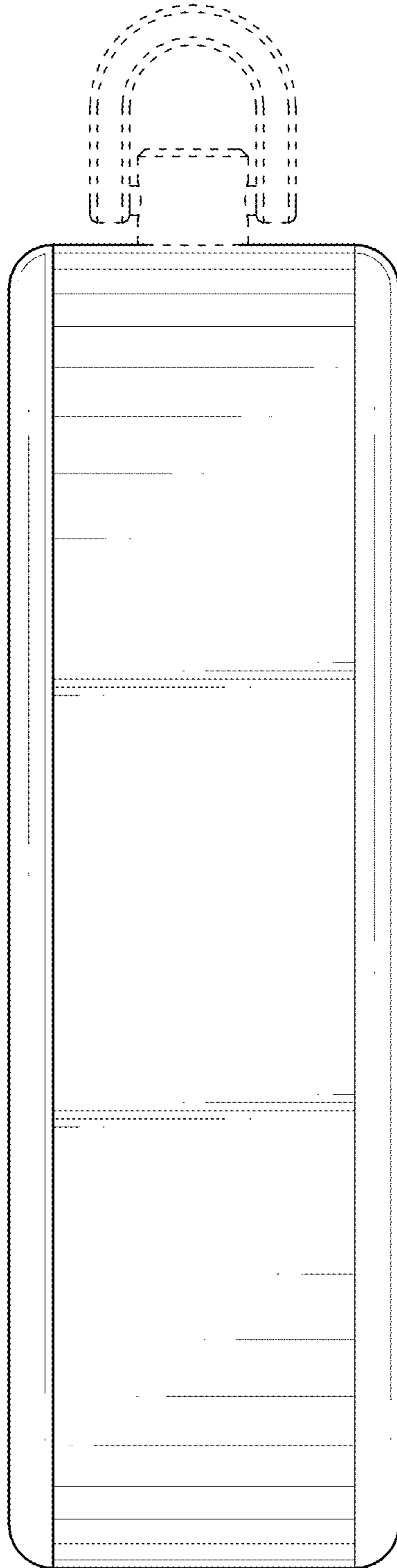


FIG.9