



US00D941587S

(12) **United States Design Patent**
Russo

(10) **Patent No.:** **US D941,587 S**
(45) **Date of Patent:** **** Jan. 25, 2022**

(54) **EDGING BRUSH**

(71) Applicant: **Goody Products, Inc.**, Atlanta, GA
(US)

(72) Inventor: **Melissa Russo**, Commack, NY (US)

(73) Assignee: **Goody Products, Inc.**, Atlanta, GA
(US)

(**) Term: **15 Years**

(21) Appl. No.: **29/757,613**

(22) Filed: **Nov. 6, 2020**

(51) **LOC (13) Cl.** **04-01**

(52) **U.S. Cl.**
USPC **D4/120**

(58) **Field of Classification Search**
USPC D4/120, 119, 106, 104, 105, 125, 108,
D4/117; D28/23
CPC A46B 9/06
See application file for complete search history.

(56) **References Cited**

U.S. PATENT DOCUMENTS

D822,388 S *	7/2018	Barsoum	D4/104
D823,003 S *	7/2018	Lafortune	D4/117
D844,332 S *	4/2019	Park	D4/120
D869,857 S *	12/2019	Cordero	D4/125
D874,155 S *	2/2020	Grant	D4/108
D881,466 S *	4/2020	Cope	D28/23

D882,872 S *	4/2020	Park	D28/23
D890,529 S *	7/2020	Choi	D4/120
D901,902 S *	11/2020	Lee	D4/120
D915,077 S *	4/2021	Jimenez	D4/104
10,973,311 B1 *	4/2021	Hendricks-Sturup ..	A46B 9/06
D925,231 S *	7/2021	Gan	D4/104
D926,475 S *	8/2021	Grant	D4/106
D932,779 S *	10/2021	Choi	D4/120

* cited by examiner

Primary Examiner — Rhea Shields

(74) *Attorney, Agent, or Firm* — Gloria Tsui-Yip, Esq.;
Gottlieb, Rackman & Reisman, P.C.

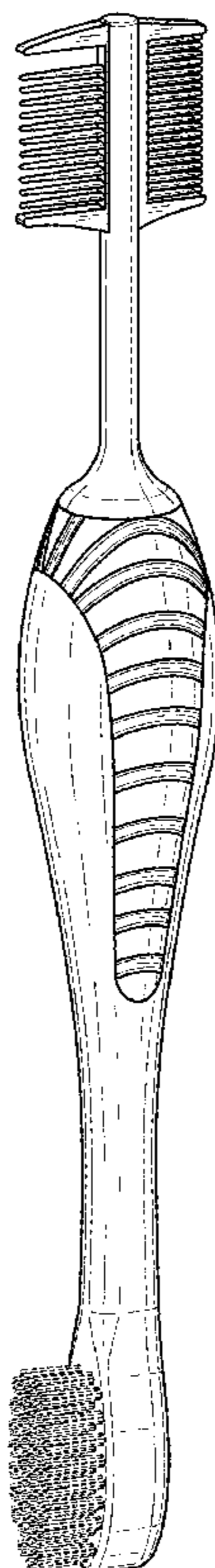
(57) **CLAIM**

The ornamental design for an edging brush, as shown and described.

DESCRIPTION

FIG. 1 is a perspective view of an edging brush of my new design;
FIG. 2 is a left side elevational view thereof;
FIG. 3 is a rear elevational view thereof;
FIG. 4 is a right side elevational view thereof;
FIG. 5 is a front elevational view thereof;
FIG. 6 is a top plan view thereof; and,
FIG. 7 is a bottom plan view thereof.
The broken lines in the drawings depict portions of the edging brush that form no part of the claimed design.

1 Claim, 4 Drawing Sheets



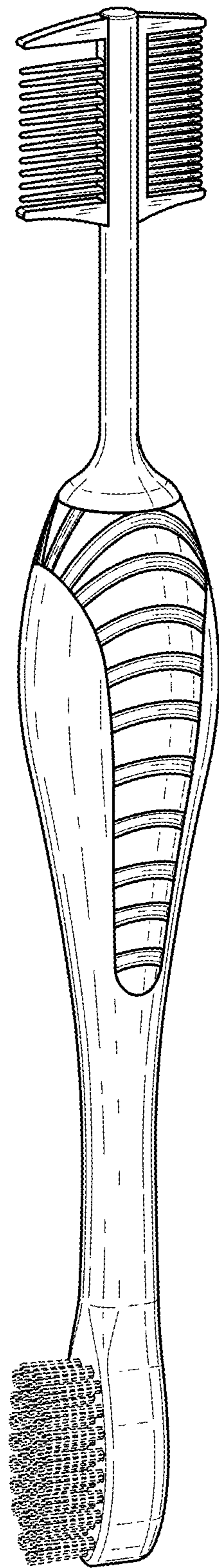


FIG. 1

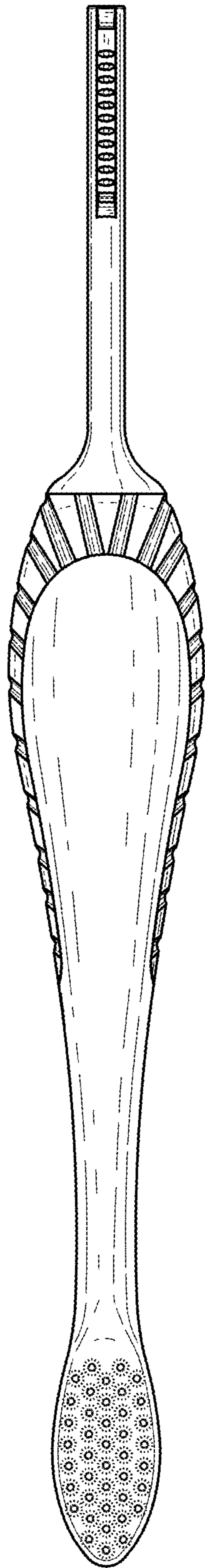


FIG. 2

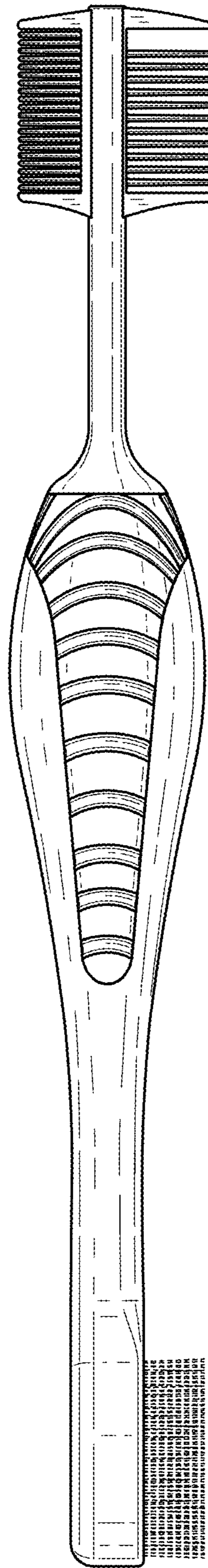


FIG. 3

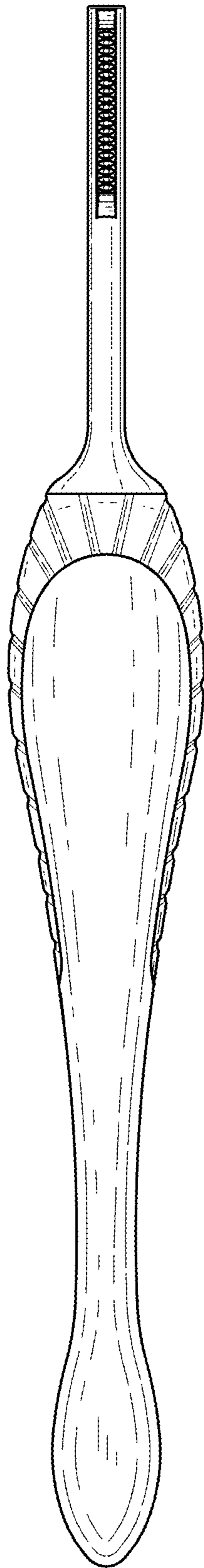


FIG.4

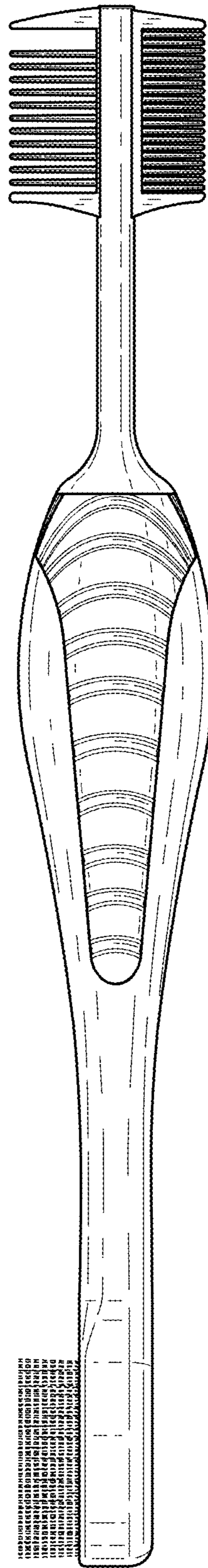


FIG.5

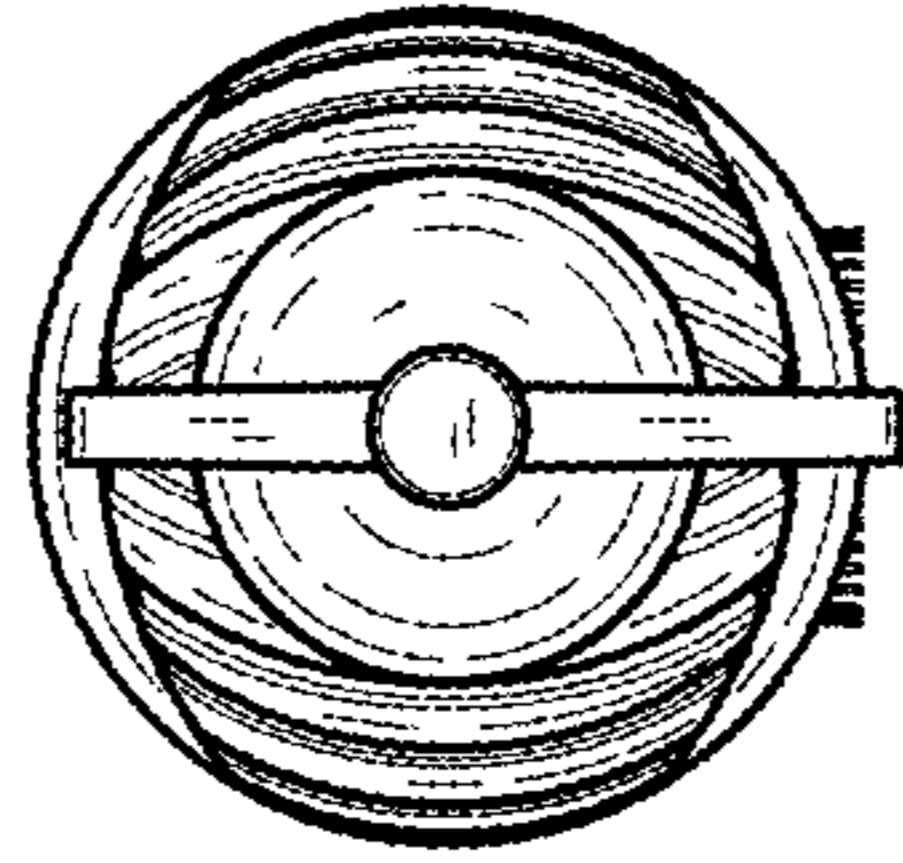


FIG. 6

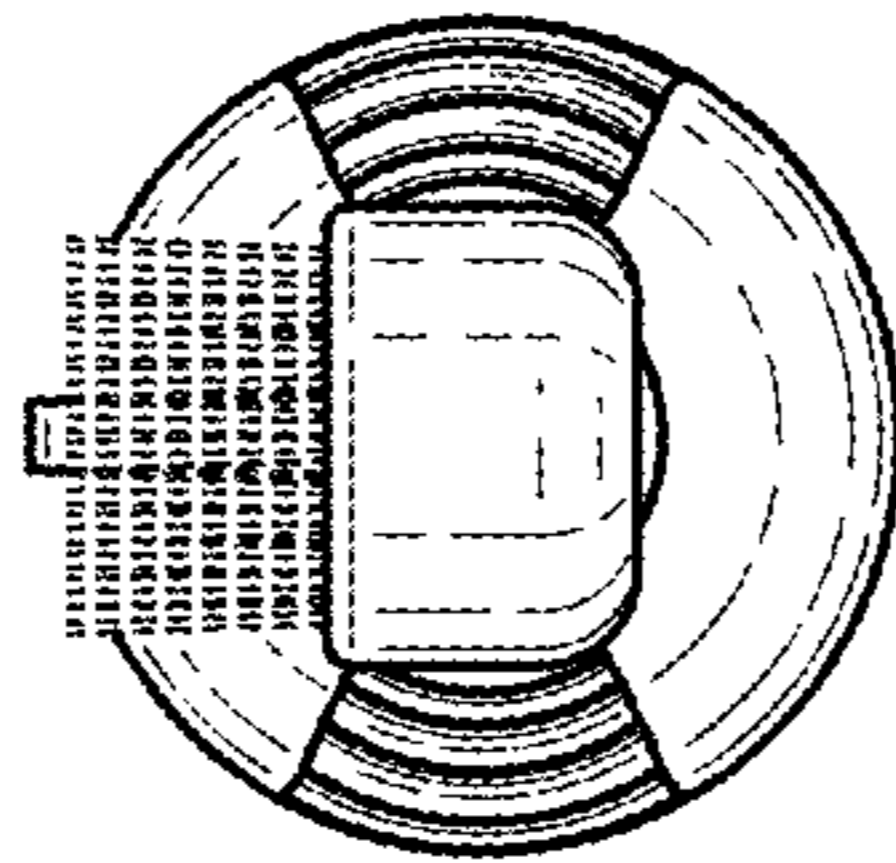


FIG. 7