



US00D941583S

(12) **United States Design Patent** (10) **Patent No.:** **US D941,583 S**
Strum et al. (45) **Date of Patent:** **** Jan. 25, 2022**

(54) **ORGANIZATION DEVICE**

(71) Applicant: **Polder Products, LLC**, Oxford, CT (US)

(72) Inventors: **Donald Samuel Strum**, Princeton, NJ (US); **Robert Beale Van Varick**, Yardley, PA (US); **George Benjamin Wintner**, Brooklyn, NY (US); **Kerry Cooper**, Pleasantville, NY (US)

(73) Assignee: **Polder Products, LLC**, Oxford, CT (US)

(**) Term: **15 Years**

(21) Appl. No.: **29/730,676**

(22) Filed: **Apr. 7, 2020**

(51) **LOC (13) Cl.** **03-01**

(52) **U.S. Cl.**
USPC **D3/313**; D3/304; D3/901; D19/90

(58) **Field of Classification Search**
USPC D3/206, 273, 276, 283–284, 293, D3/304–315, 318–319, 321, 901, 903; D6/513–514, 524, 672, 683, 683.1; D7/602, 701, 704; D9/737, 424, 456; D19/75, 81, 83–86, 90–92, 102, 107; D28/73, 76; D32/29.1, 35, 55, 58
CPC A45C 11/20; A45F 2200/05; A45F 2200/0575; A47B 55/00; A47B 55/02; A47F 5/00; A47F 5/005; A47F 5/0025; A47F 5/01; A47F 5/05; A47F 5/13; A47F 5/14; A47F 7/00; A47F 7/0071; A47F 7/0078; A47F 7/02; A47G 19/02; A47G 19/025; A47G 21/14; A47G 23/06; A47G 29/08; A47J 27/16; A47J 47/00; A47J 47/01; A47J 47/16; B25H 3/006; B65D 1/00; B65D 1/0223; B65D 1/22; B65D 1/24; B65D 1/26; B65D 1/34; B65D 1/36; B65D 1/38; B65D 1/40; B65D 7/14; B65D 7/20; B65D 21/00; B65D 21/0209; B65D 21/0211; B65D 21/0233;

B65D 25/04; B65D 25/22; B65D 2581/34; B65D 81/3453; B65D 81/3813; B65D 85/50; B65D 85/505; B65D 85/52
See application file for complete search history.

(56) **References Cited**

U.S. PATENT DOCUMENTS

D158,479 S * 5/1950 Long D3/314
D197,632 S * 3/1964 Caprioli D9/456
(Continued)

OTHER PUBLICATIONS

The Inspired Home Show—Global Innovation Awards 2020, product available in the public no later than Apr. 23, 2020, theinspiredhomeshow.com [online], [site visited Jun. 15, 2021], Available at URL: <https://www.theinspiredhomeshow.com/explore/awards/gia-excellence-in-product-design-2020/> (Year: 2020).*

Primary Examiner — Jeffrey D Asch
Assistant Examiner — Caitlin A Laverty

(74) *Attorney, Agent, or Firm* — Duane Morris LLP

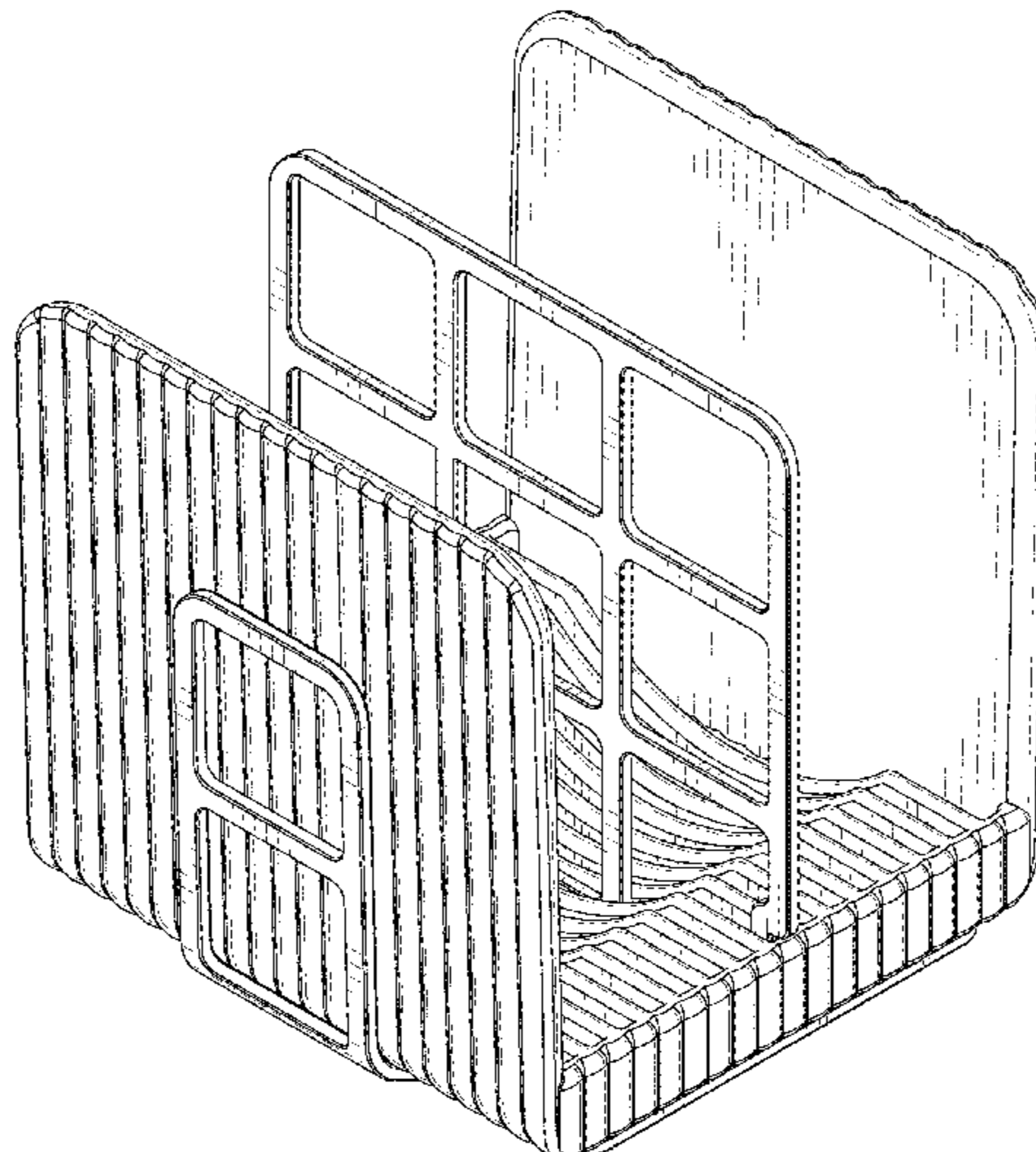
(57) **CLAIM**

The ornamental design for an organization device, as shown and described.

DESCRIPTION

FIG. 1 is an isometric view of an organization device; FIG. 2 is a front view of the organization device; FIG. 3 is a rear view of the organization device; FIG. 4 is a right side view of the organization device; FIG. 5 is a left side view of the organization device; FIG. 6 is a top view of the organization device; FIG. 7 is a bottom view of the organization device; FIG. 8 is a cross-sectional view of the organization device taken along line 8-8 in FIG. 2; and, FIG. 9 is a cross-sectional view of the organization device taken along line 9-9 in FIG. 4.

1 Claim, 9 Drawing Sheets



(56)

References Cited

U.S. PATENT DOCUMENTS

D197,633 S * 3/1964 Caprioli D9/456
D197,675 S * 3/1964 Caprioli D9/456
D198,144 S * 5/1964 Caprioli D9/456
3,593,856 A * 7/1971 Zander A45C 11/34
211/69.5
D252,891 S * 9/1979 Stutzer D28/76
4,318,478 A * 3/1982 De Winter A47J 47/16
206/373
4,705,178 A * 11/1987 Vail, Sr. A47F 5/01
206/513
D314,656 S * 2/1991 Box D3/312
5,022,540 A * 6/1991 Vail, Sr. A47F 5/01
206/513
5,197,626 A * 3/1993 Bernstein A47G 23/0641
141/98
D472,710 S * 4/2003 Dembicks D3/313
D478,210 S * 8/2003 Dembicks D3/305
D709,289 S * 7/2014 Kraemer D3/306
D751,291 S * 3/2016 MacNeil D3/304
D845,627 S * 4/2019 Patten D3/306
D850,169 S * 6/2019 Tsai D6/678.4
D850,795 S * 6/2019 Goodman D3/306
D887,712 S * 6/2020 Stevens D3/313
D888,471 S * 6/2020 Goodman D6/675.5
11,064,841 B2 * 7/2021 Nathan A47J 47/16
D927,945 S * 8/2021 Cheng D7/704
D929,656 S * 8/2021 Strum D28/73
D931,724 S * 9/2021 Chasseriaux D9/432

* cited by examiner

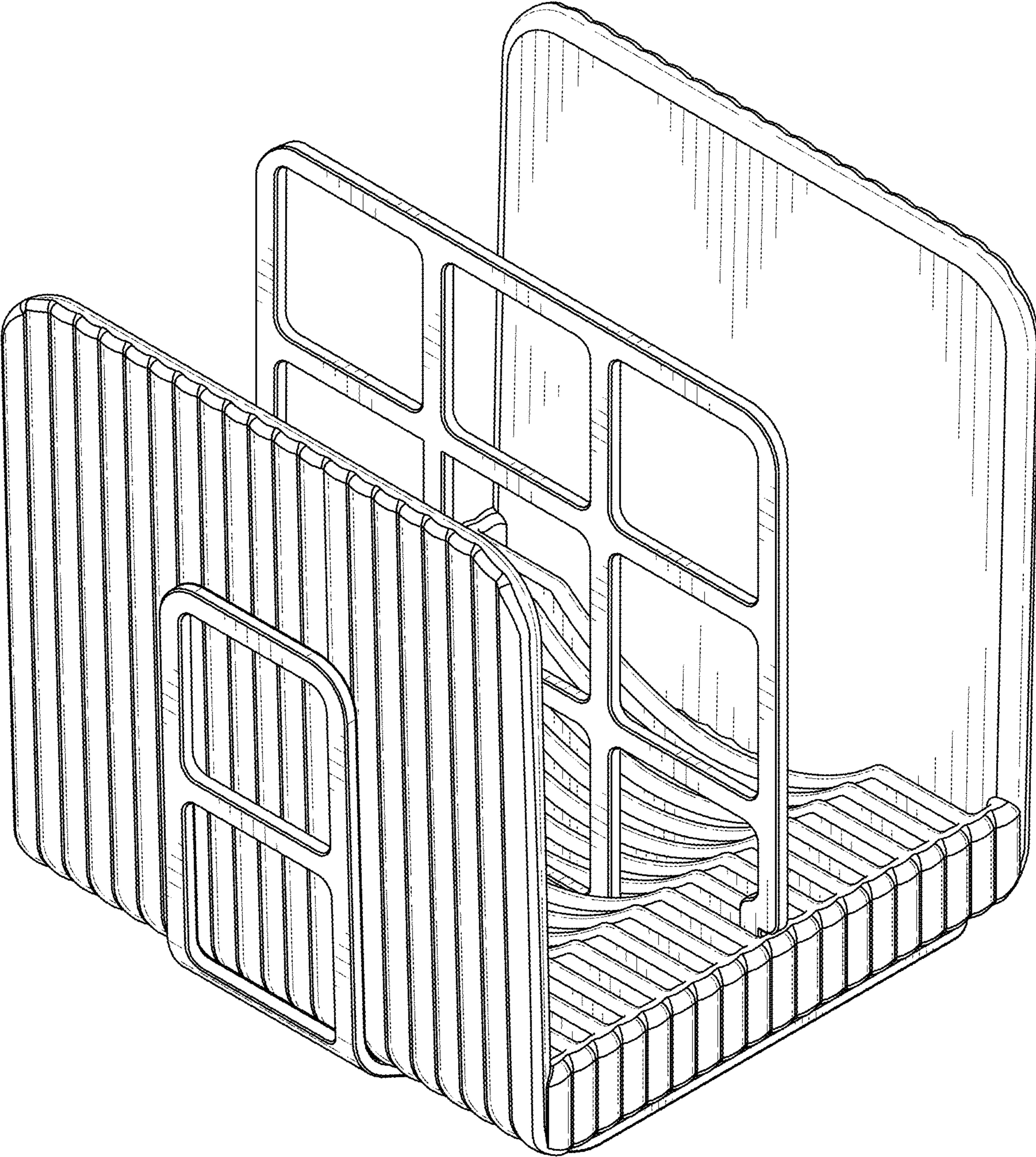


FIG. 1

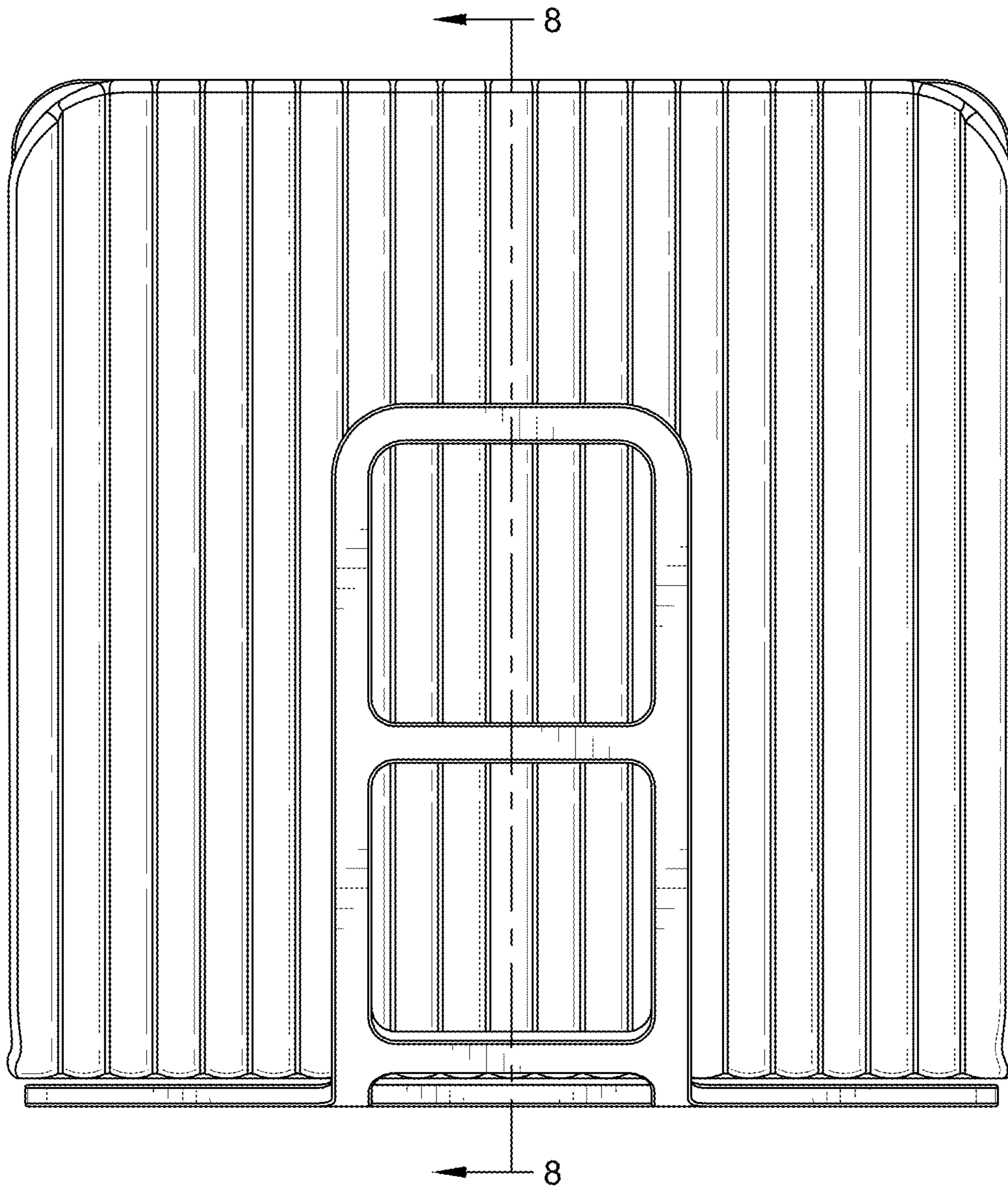


FIG. 2

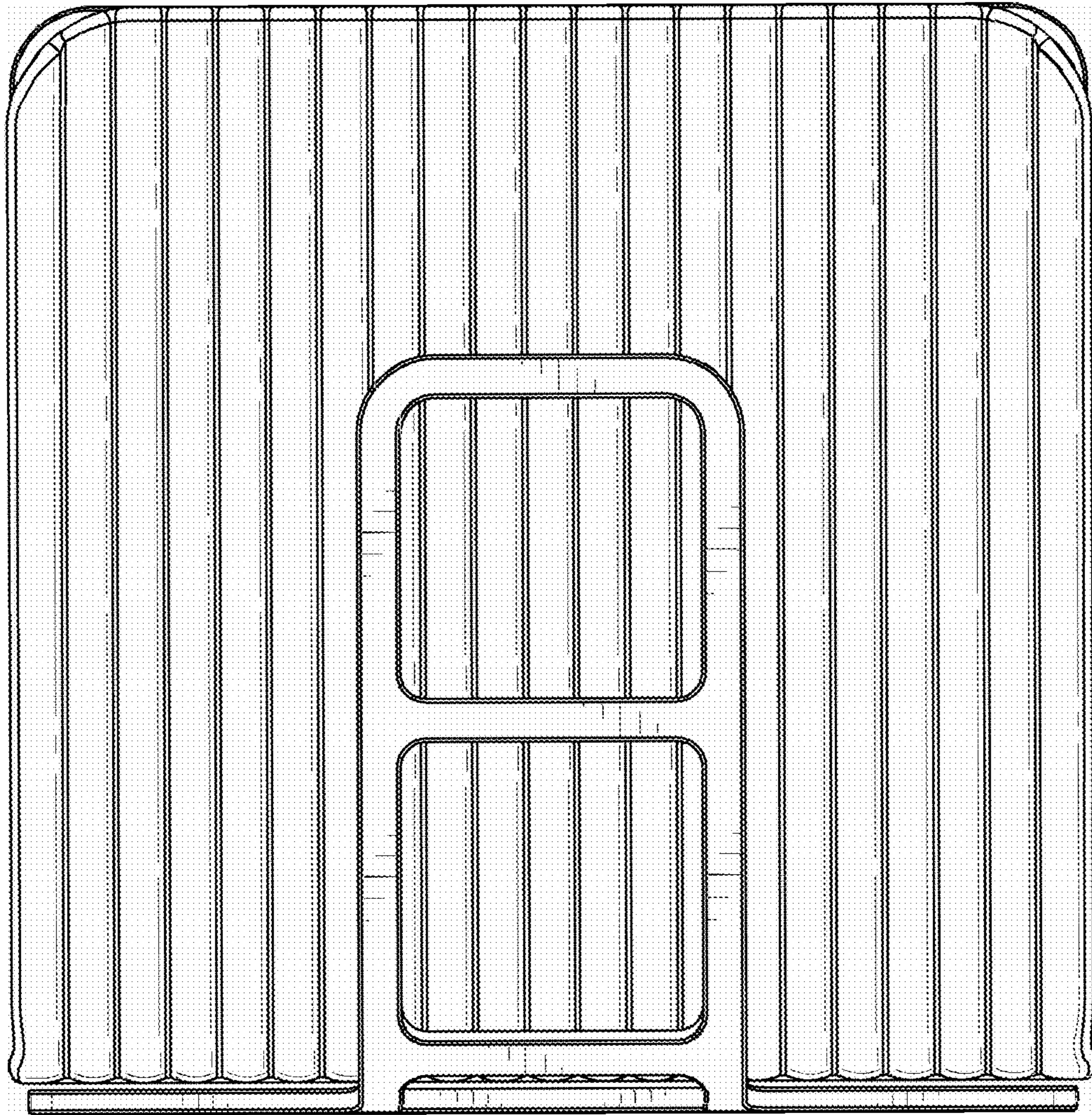


FIG. 3

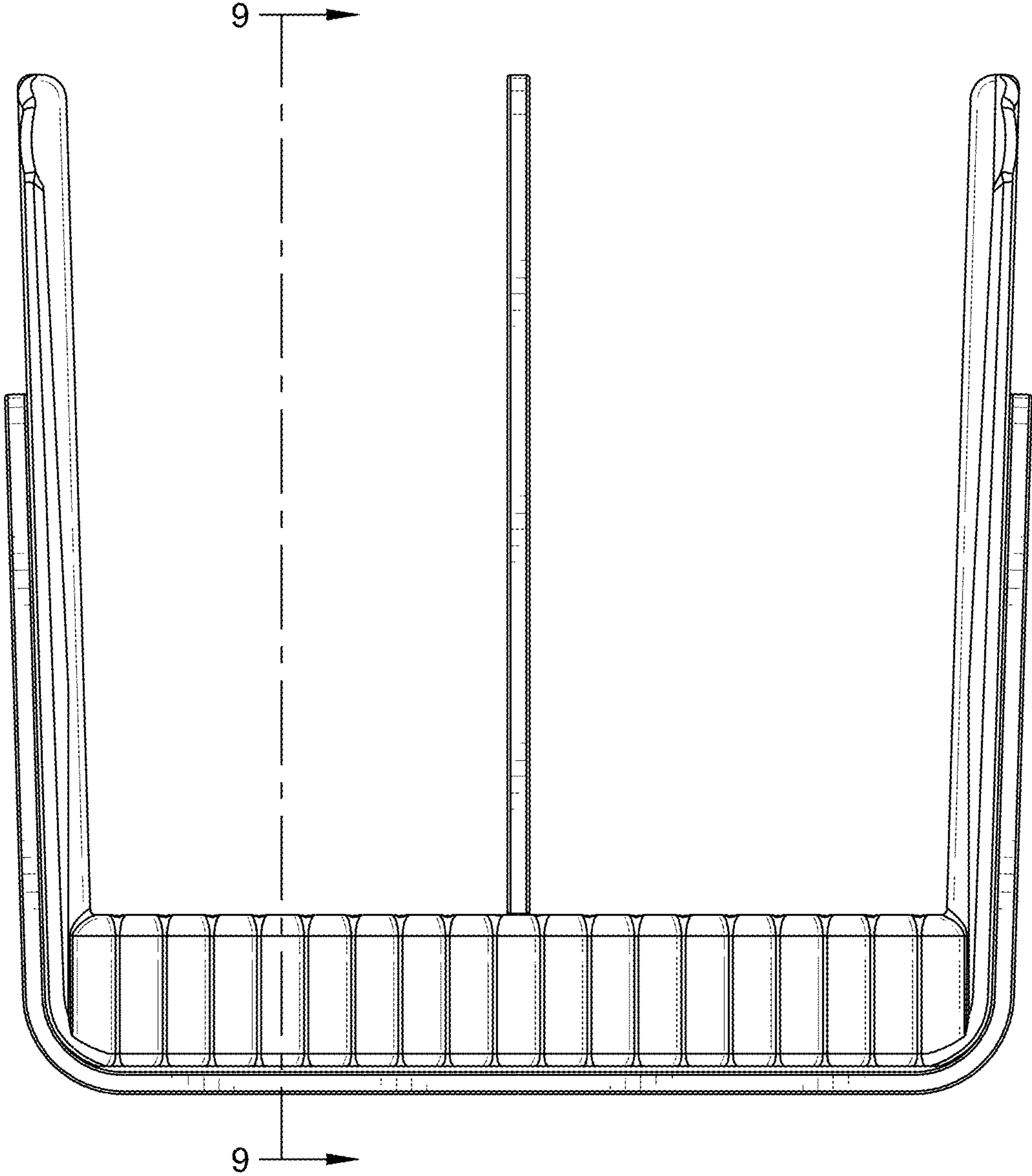


FIG. 4

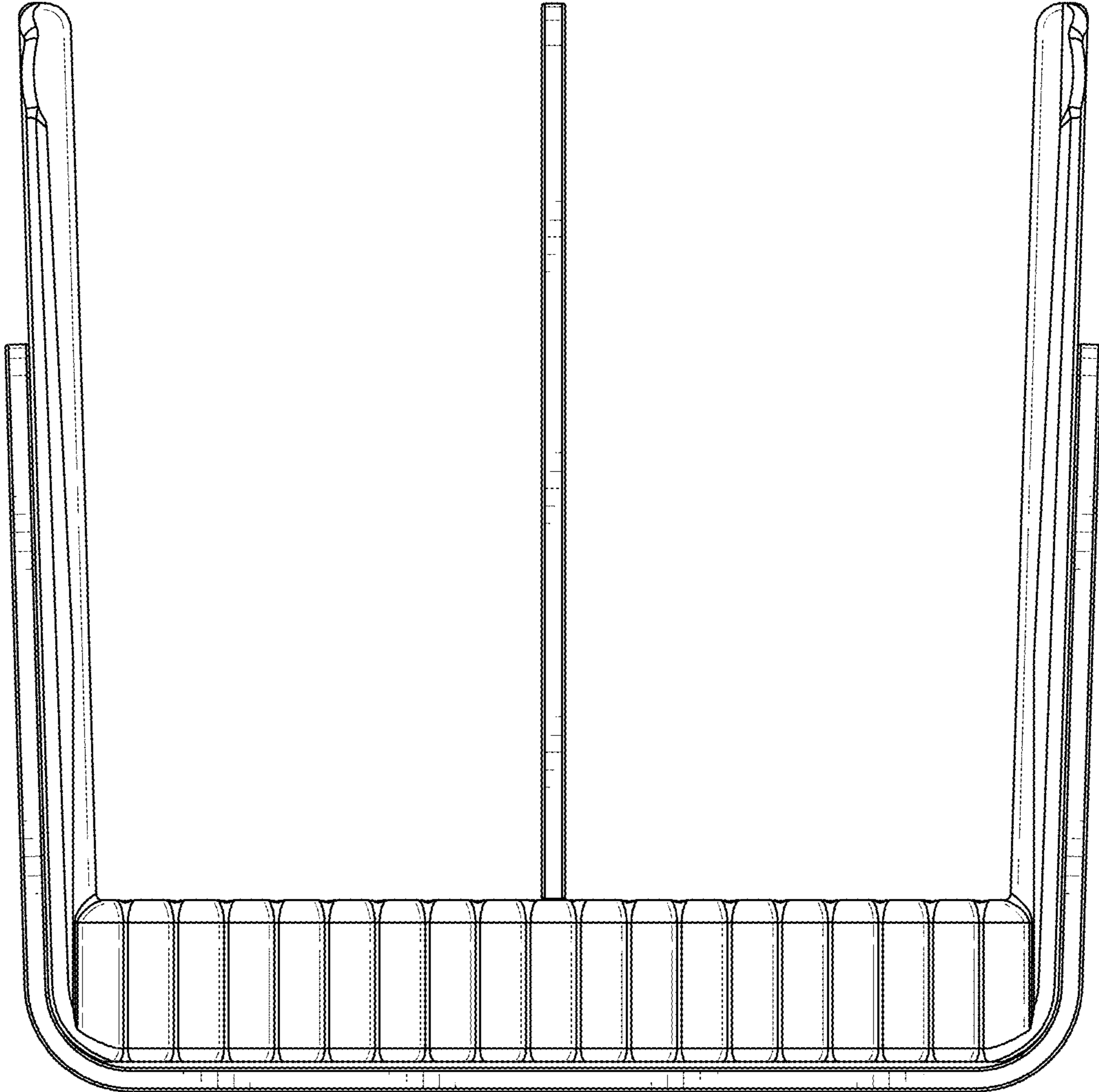


FIG. 5

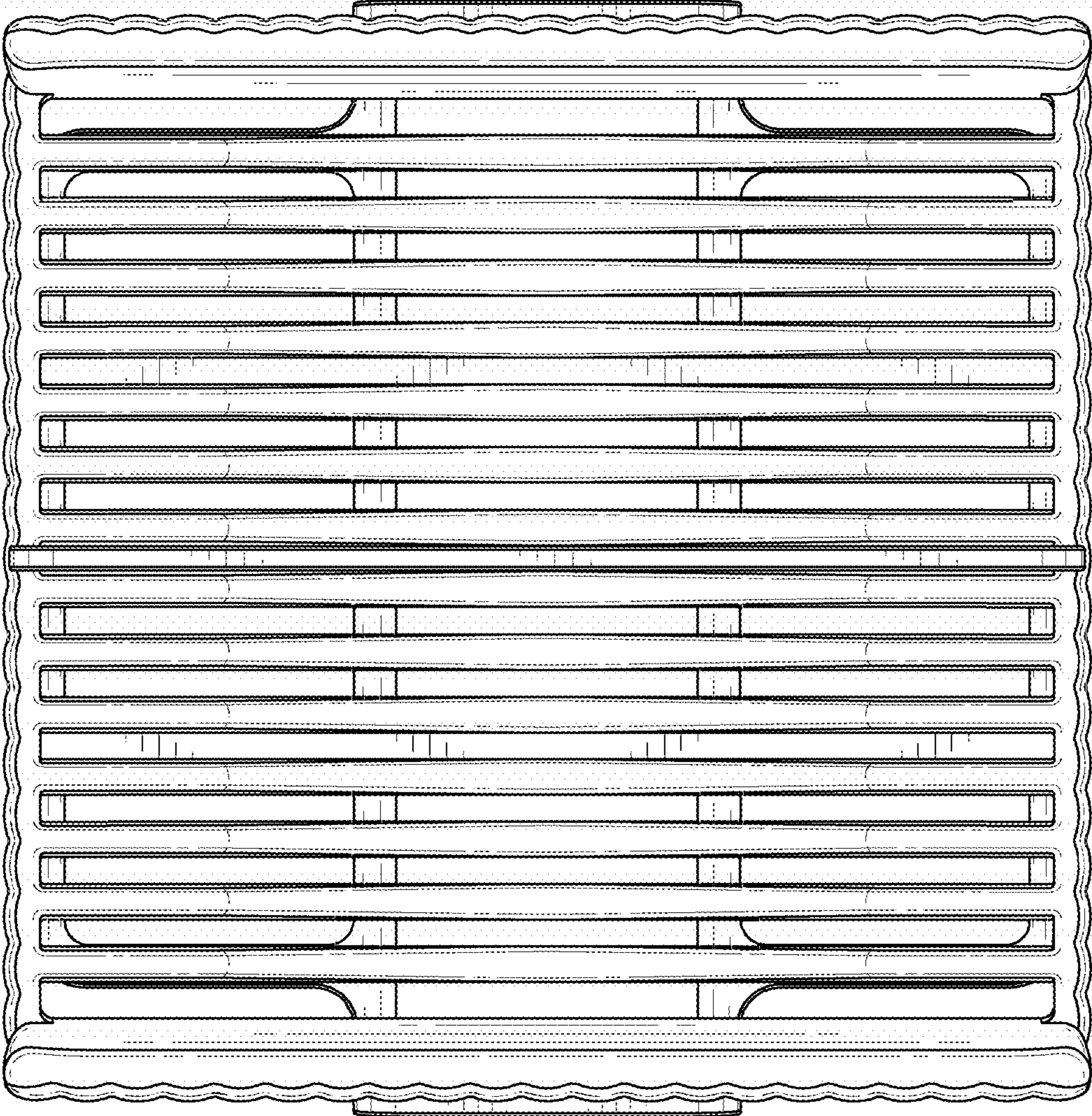


FIG. 6

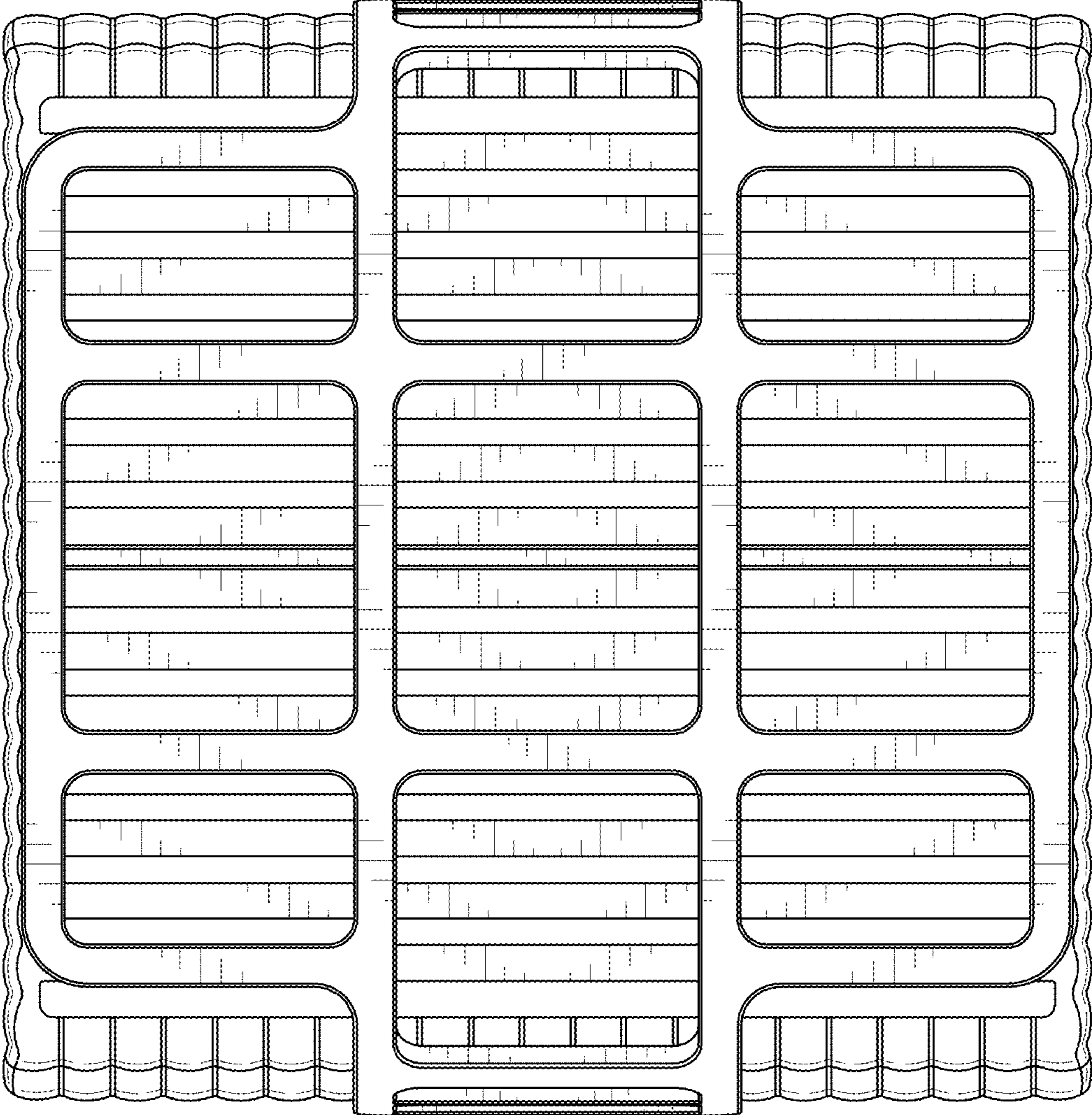


FIG. 7

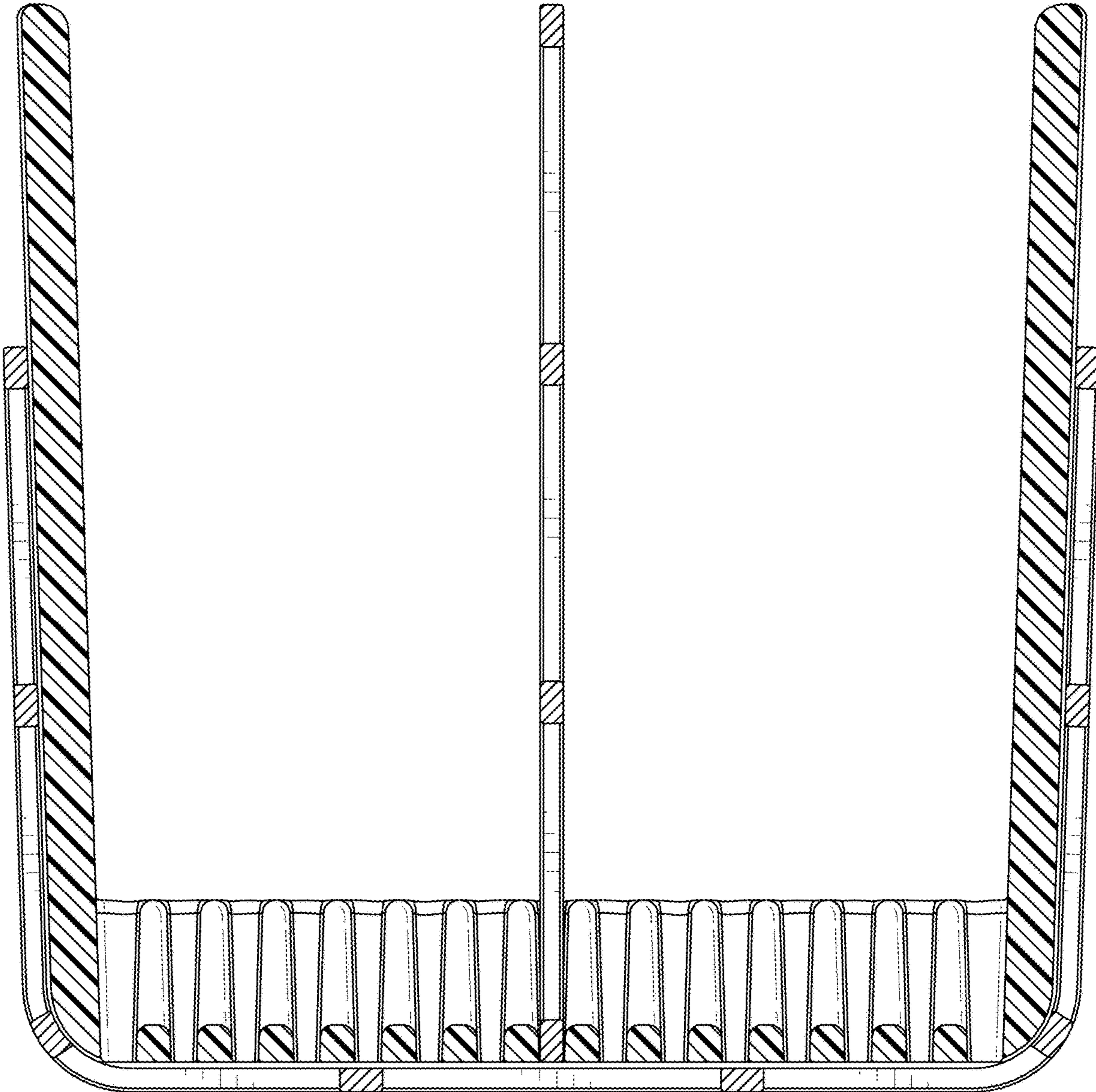


FIG. 8

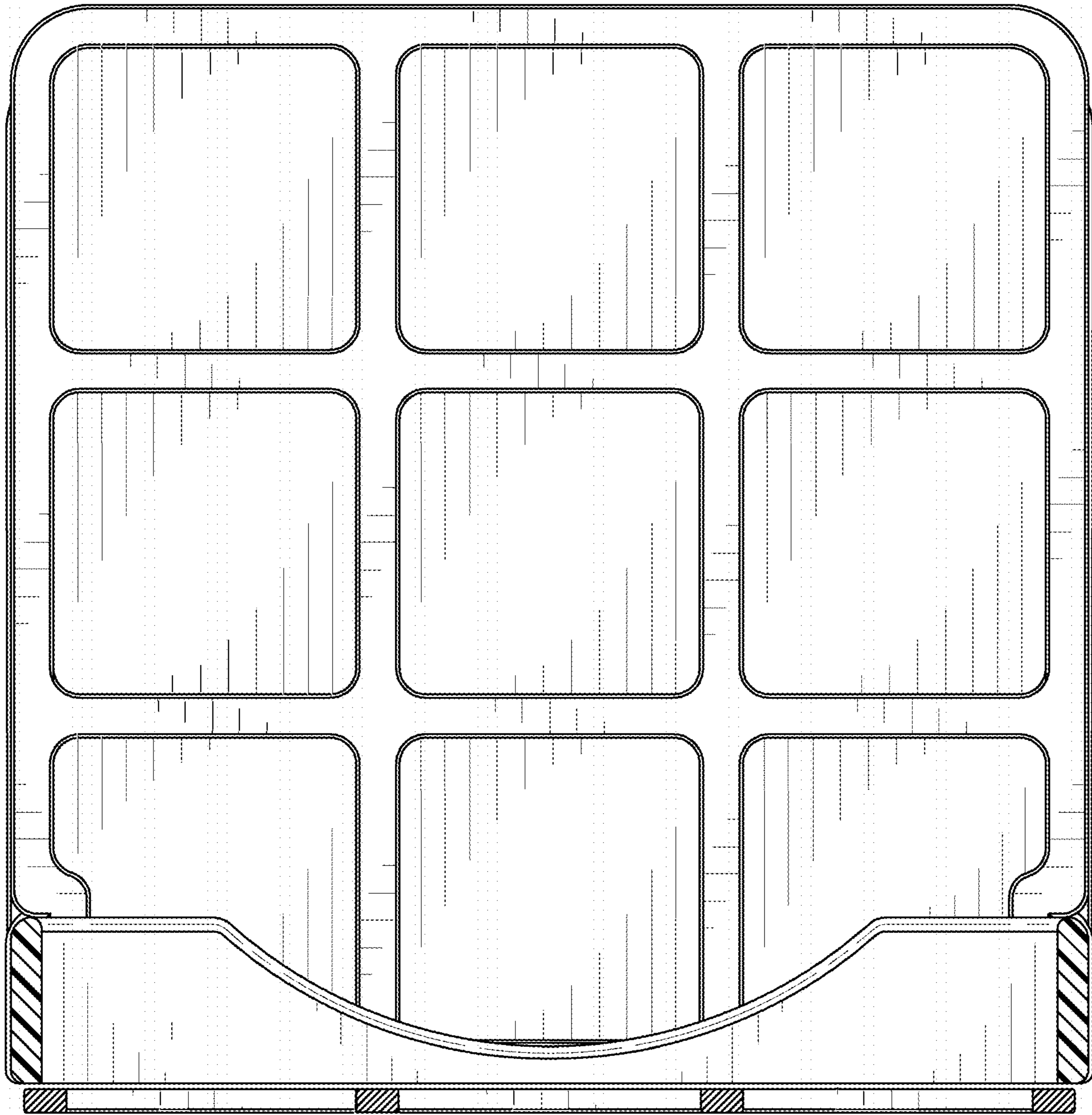


FIG. 9