



US00D941581S

(12) **United States Design Patent**
Yamashiro et al.

(10) **Patent No.:** **US D941,581 S**
(45) **Date of Patent:** **** Jan. 25, 2022**

(54) **STORAGE CASE**

FOREIGN PATENT DOCUMENTS

(71) Applicant: **Iris Ohyama Inc.**, Sendai (JP)

JP 1541256 S 1/2016
KR 30-0887500 S 12/2016

(72) Inventors: **Shuhei Yamashiro**, Kakuda (JP);
Susumu Kobayashi, Kakuda (JP)

OTHER PUBLICATIONS

(73) Assignee: **IRIS OHYAMA INC.**, Sendai (JP)

Amazon, "Iris USA DF-S Shoe Box, Large Clear", First reviewed Sep. 28, 2014. (<https://www.amazon.com/dp/B00CP52TEI/>) (Year: 2014).*

(**) Term: **15 Years**

(Continued)

(21) Appl. No.: **29/716,566**

Primary Examiner — April Rivas

(22) Filed: **Dec. 10, 2019**

(74) *Attorney, Agent, or Firm* — Studebaker & Brackett PC

(30) **Foreign Application Priority Data**

Jun. 20, 2019 (JP) 2019-013660

(51) **LOC (13) Cl.** **03-01**

(52) **U.S. Cl.**
USPC **D3/294; D3/298**

(58) **Field of Classification Search**

USPC D3/201, 217, 273, 276, 279, 283, 285,
D3/289, 290, 900, 902, 905, 257, 258,
D3/278, 318, 303, 254, 321, 216, 901,
D3/294, 298; D6/663, 569

CPC A45C 2003/008; A45C 2005/035; A45C
2003/007; A45C 13/02; A45C 11/02;
A45C 2200/10; A45C 2013/026; A45C
2013/025; A45C 2011/002; B25H 3/02;
B65F 1/04; B65F 1/08; A47B 81/00

See application file for complete search history.

(56) **References Cited**

U.S. PATENT DOCUMENTS

D445,568 S * 7/2001 Lippisch D3/273
D518,708 S * 4/2006 Ohayon D3/298
D643,628 S * 8/2011 Monarch D3/302
D676,238 S * 2/2013 Wu D3/294
D719,731 S * 12/2014 Burgess D3/302
9,365,321 B2 * 6/2016 Wu B65D 25/38
D777,428 S * 1/2017 Hsu D3/273
D778,608 S * 2/2017 Hsu D3/294

(Continued)

(57) **CLAIM**

The ornamental design for a storage case, as shown and described.

DESCRIPTION

FIG. 1 is a front, top and right-side perspective view of a storage case showing our new design in an open configuration;

FIG. 2 is a front view thereof;

FIG. 3 is a rear view thereof;

FIG. 4 is a top view thereof;

FIG. 5 is a bottom view thereof;

FIG. 6 is a right-side view thereof;

FIG. 7 is a left-side view thereof;

FIG. 8 is a rear, top and left-side perspective view thereof;

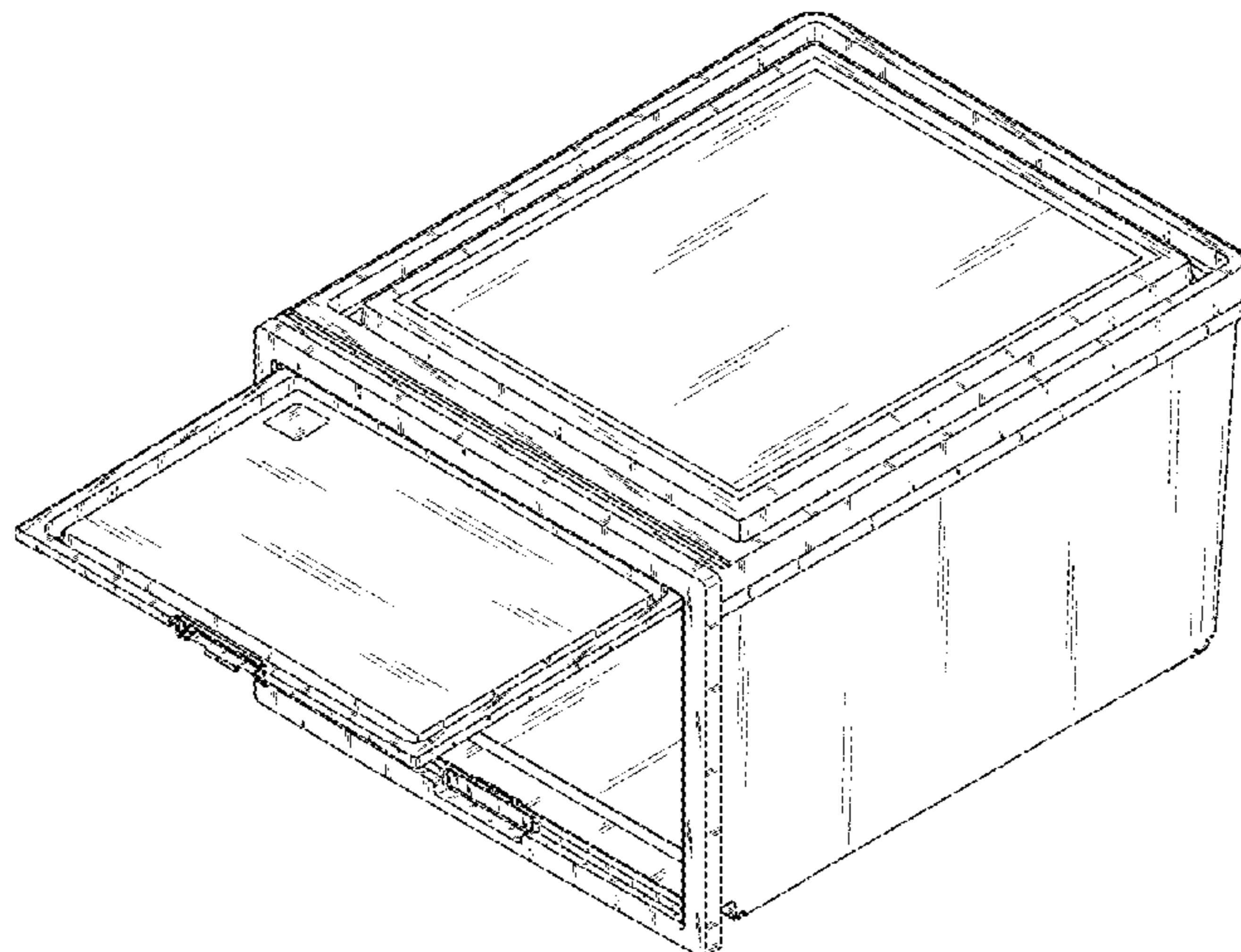
FIG. 9 is a closed front perspective view thereof;

FIG. 10 is an open front perspective view thereof, with the lid partially retracted; and,

FIG. 11 is an open front perspective view thereof, with the lid fully retracted.

The broken lines illustrate portions of the storage case and form no part of the claimed design.

1 Claim, 11 Drawing Sheets



(56)

References Cited

U.S. PATENT DOCUMENTS

D838,479 S * 1/2019 Felsenthal D3/294
D841,327 S * 2/2019 Hsu D3/297
D841,980 S * 3/2019 Hsu D3/273
D851,933 S * 6/2019 Hsu D3/294
2008/0308447 A1* 12/2008 Boland B65D 25/005
206/512

OTHER PUBLICATIONS

Amazon.jp, "Iris Ohyama MSB-S Shoe Box . . .", First on sale Jul. 25, 2019. (<https://www.amazon.co.jp/dp/B07W5YQJFV>) (Year: 2019).*

Office Action issued in JP 2019-013660; mailed by the Japanese Patent Office dated Nov. 5, 2019.

An Office Action issued by the Japanese Patent Office dated Mar. 3, 2020, which corresponds to Japanese Application No. 2019-013660 and is related to U.S. Appl. No. 29/716,566, with English language concise explanation.

* cited by examiner

FIG. 1

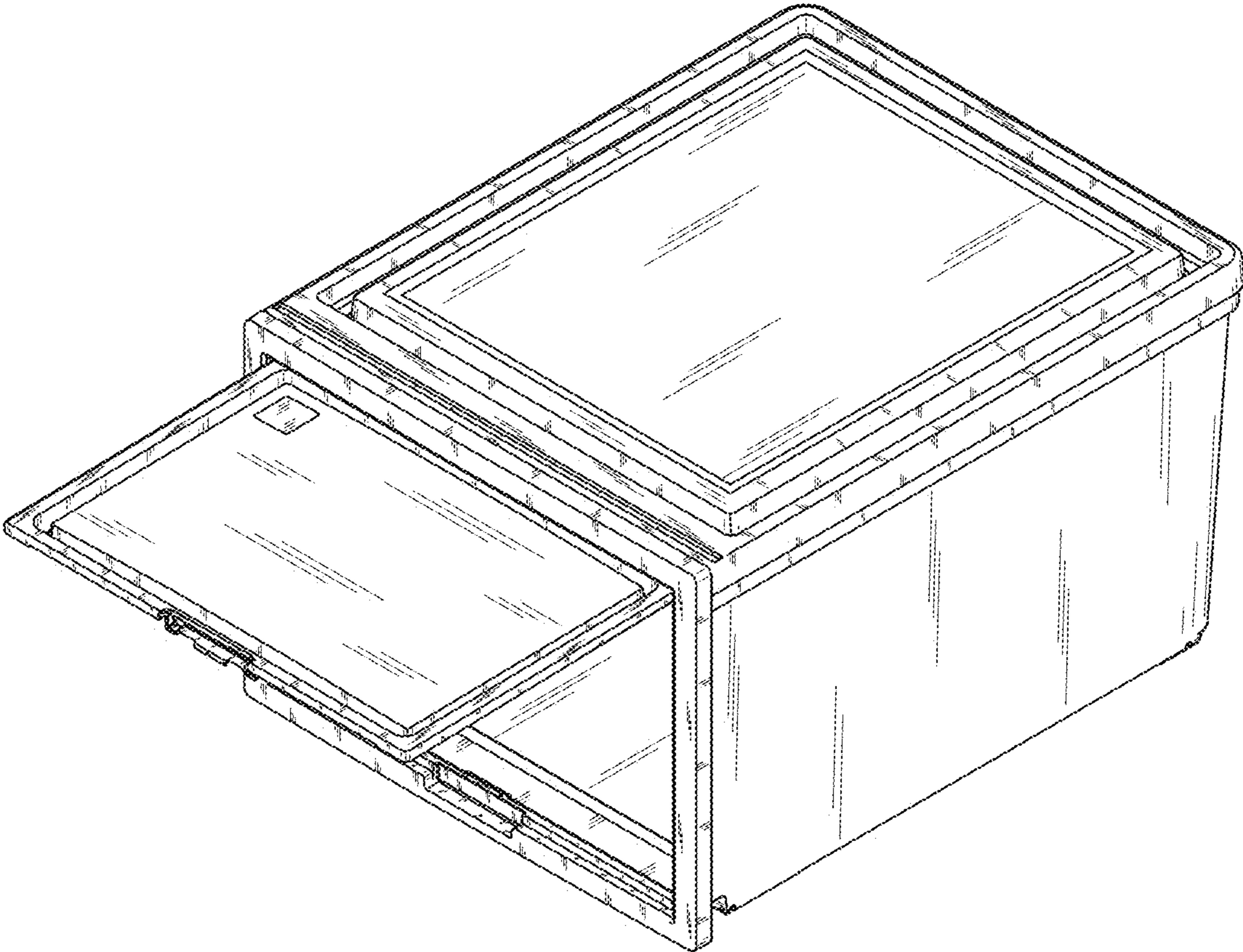


FIG.2

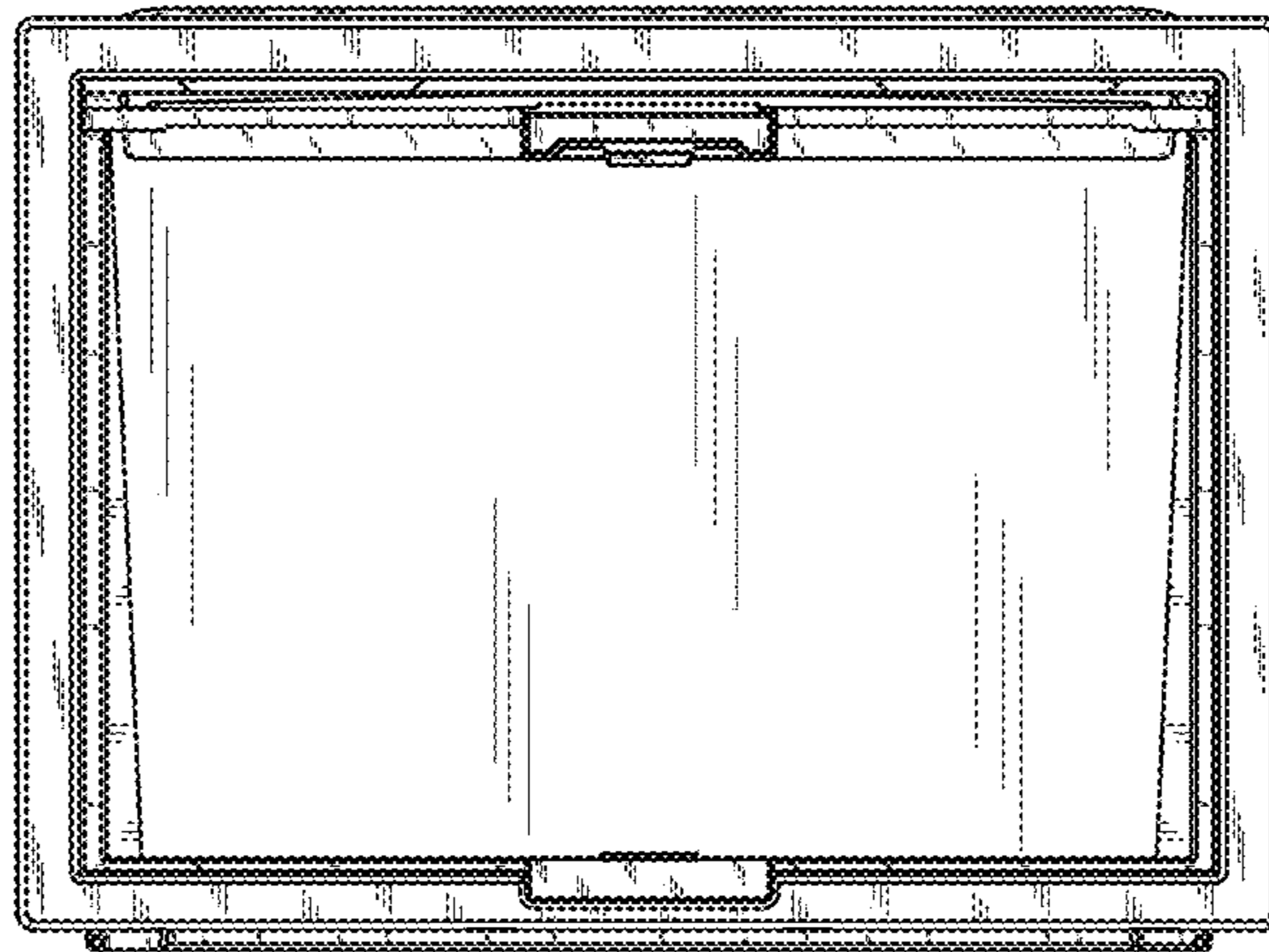


FIG.3

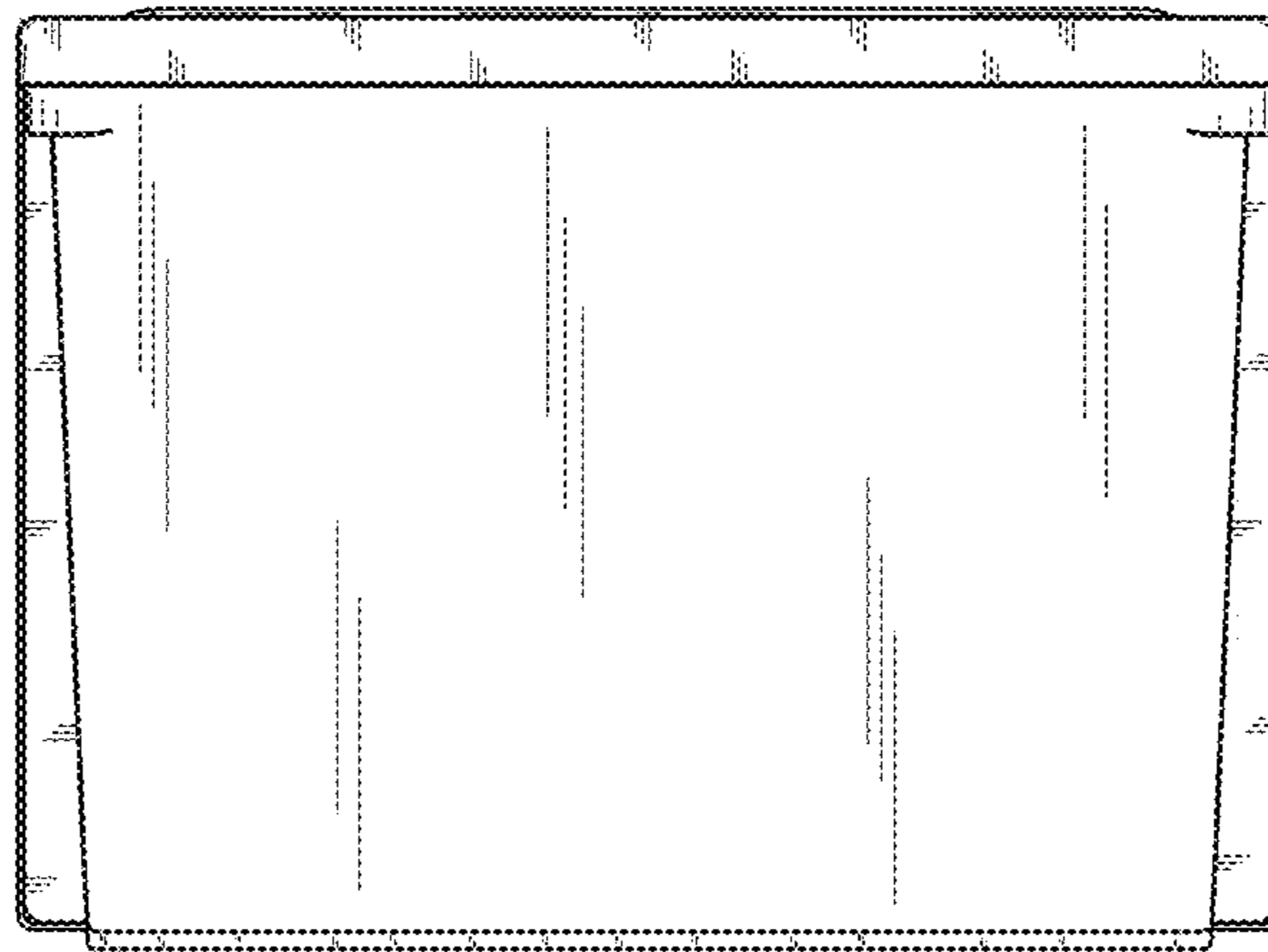


FIG.4

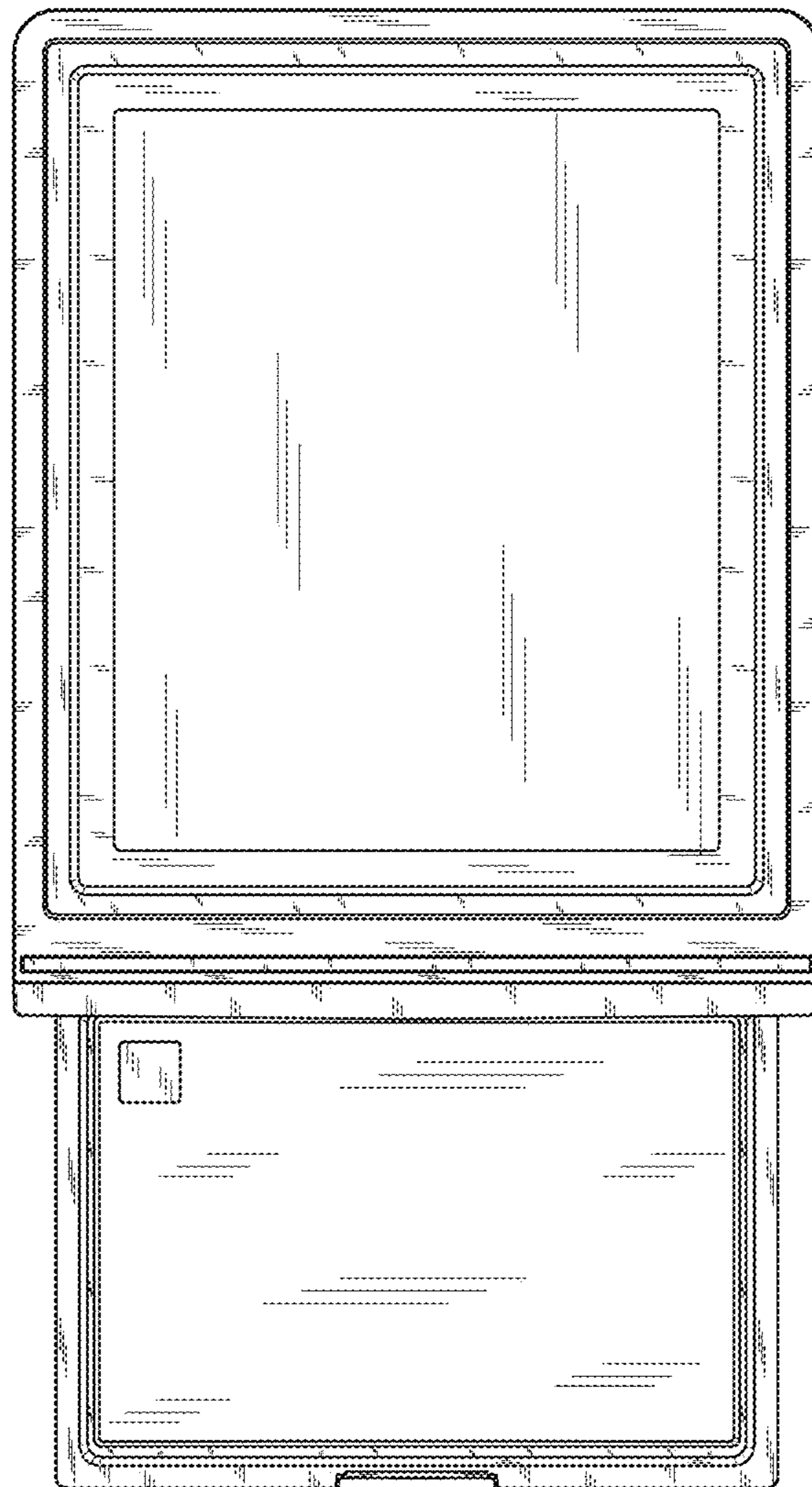


FIG. 5

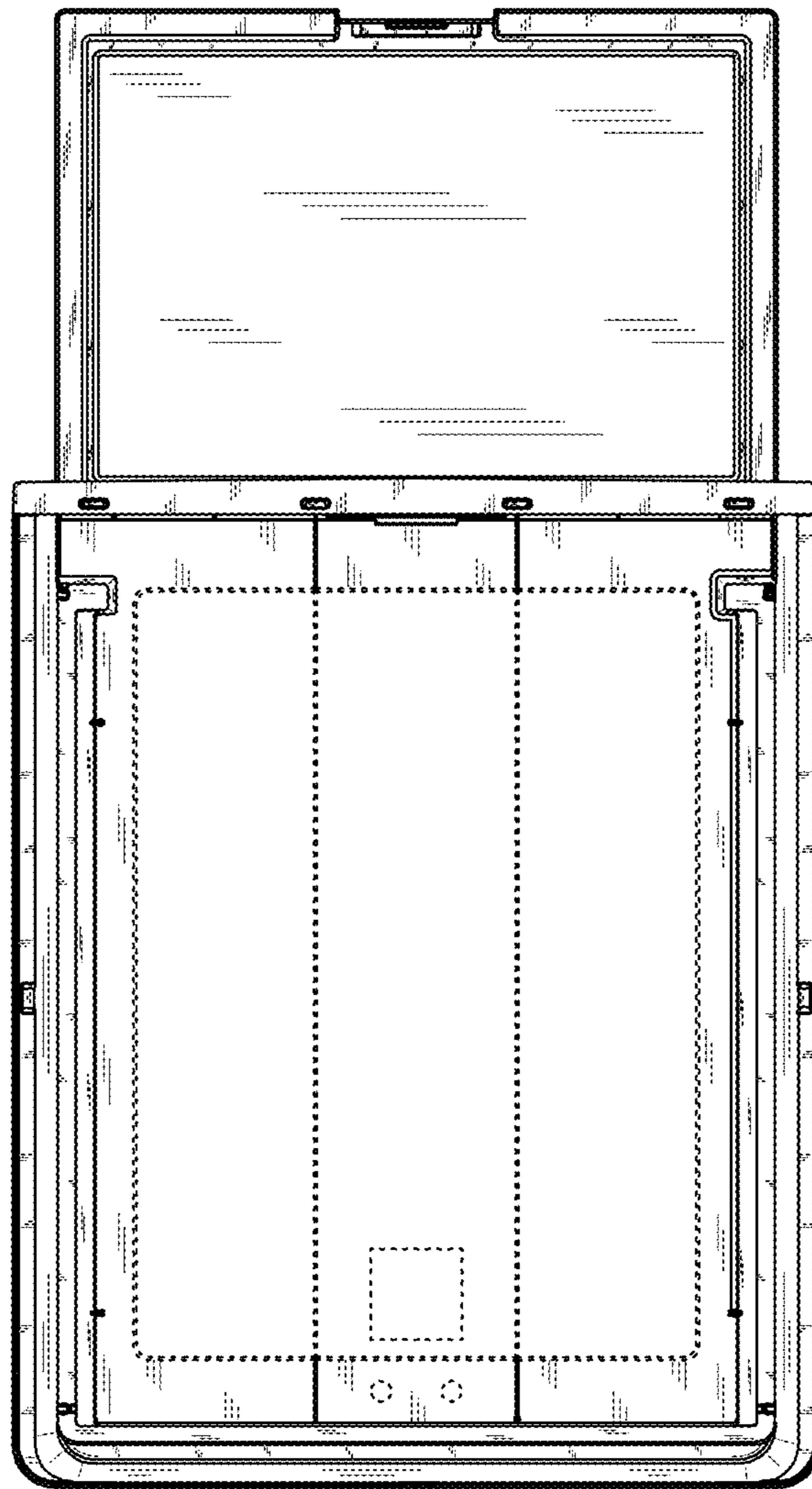


FIG.6

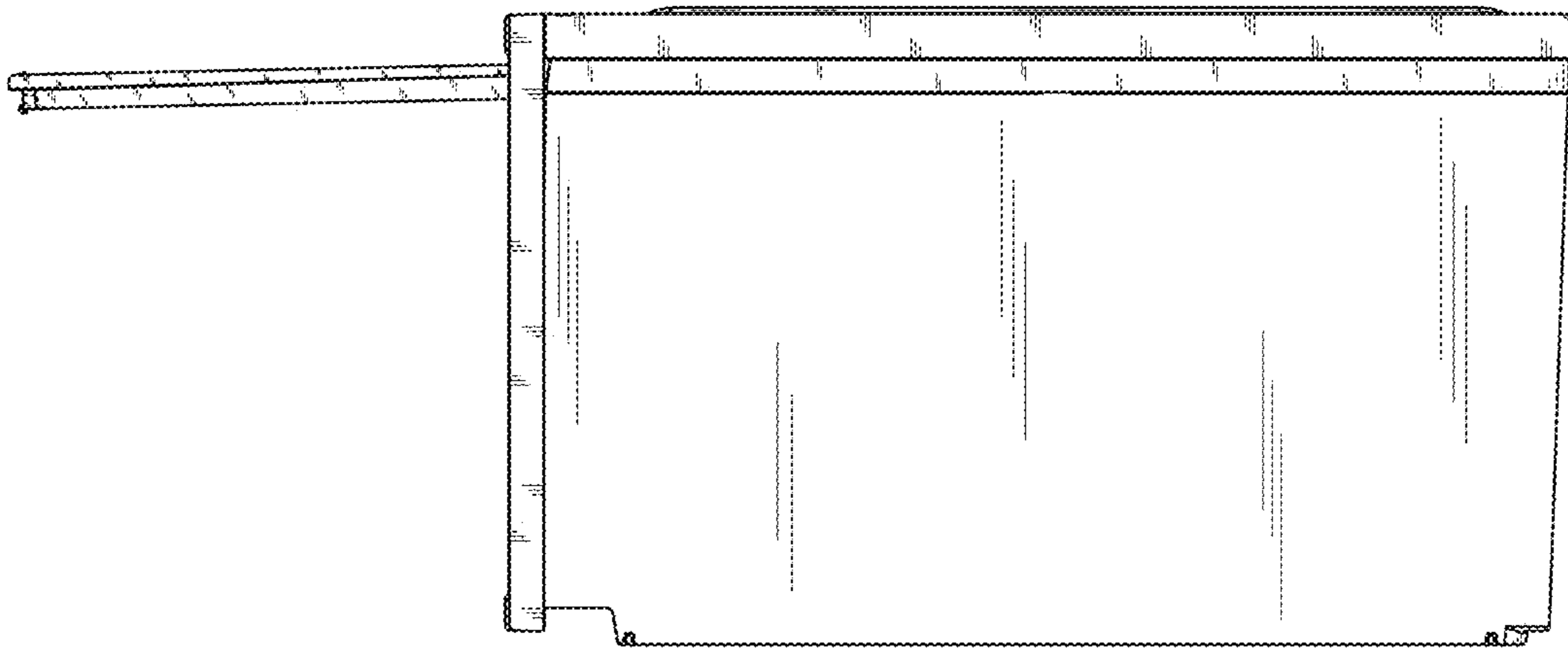


FIG. 7

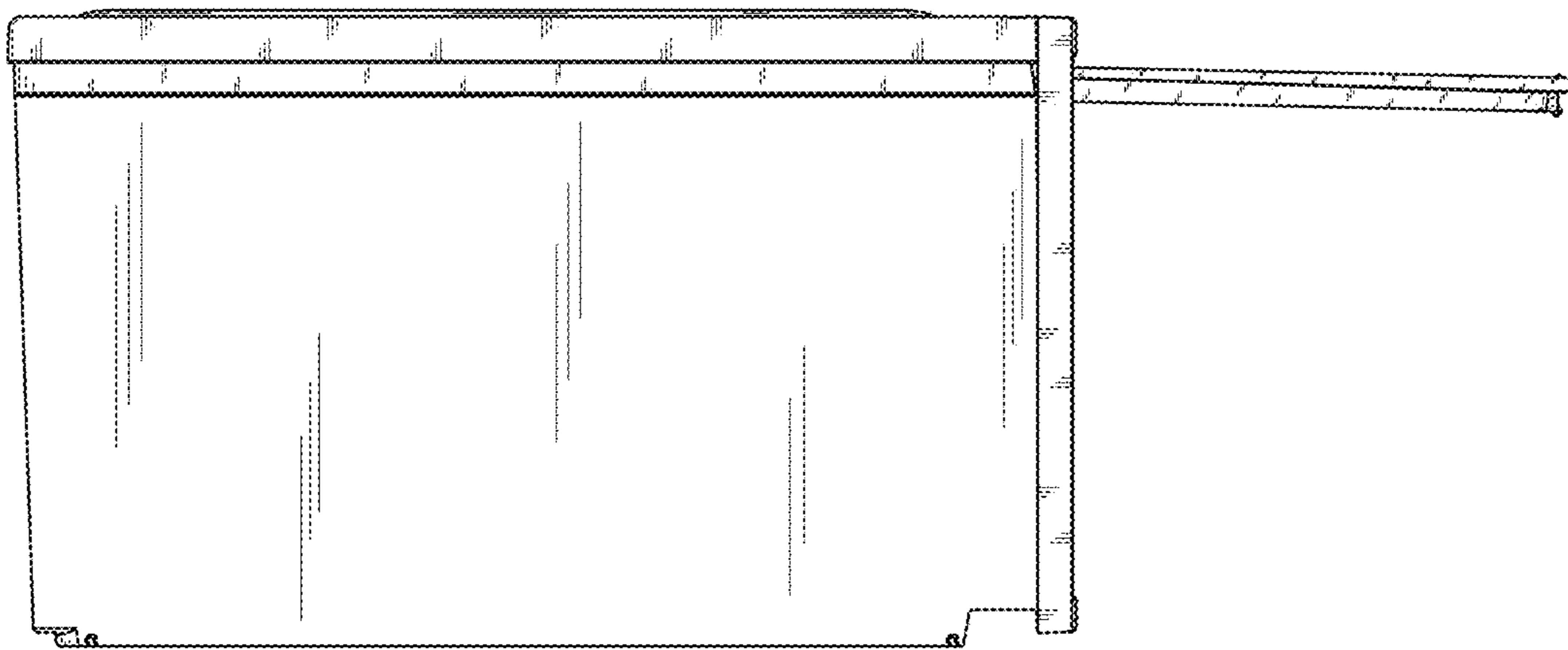


FIG. 8

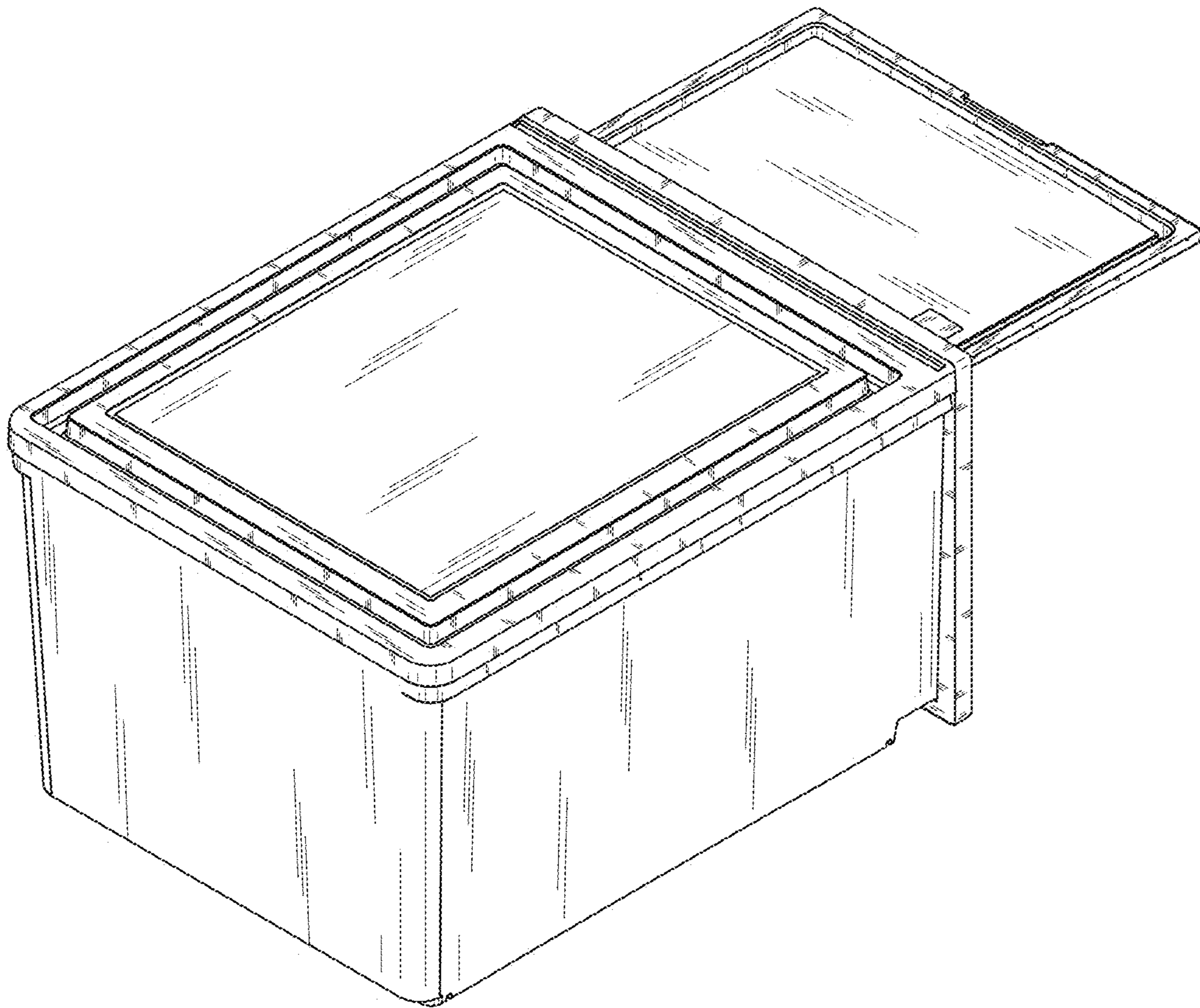


FIG. 9

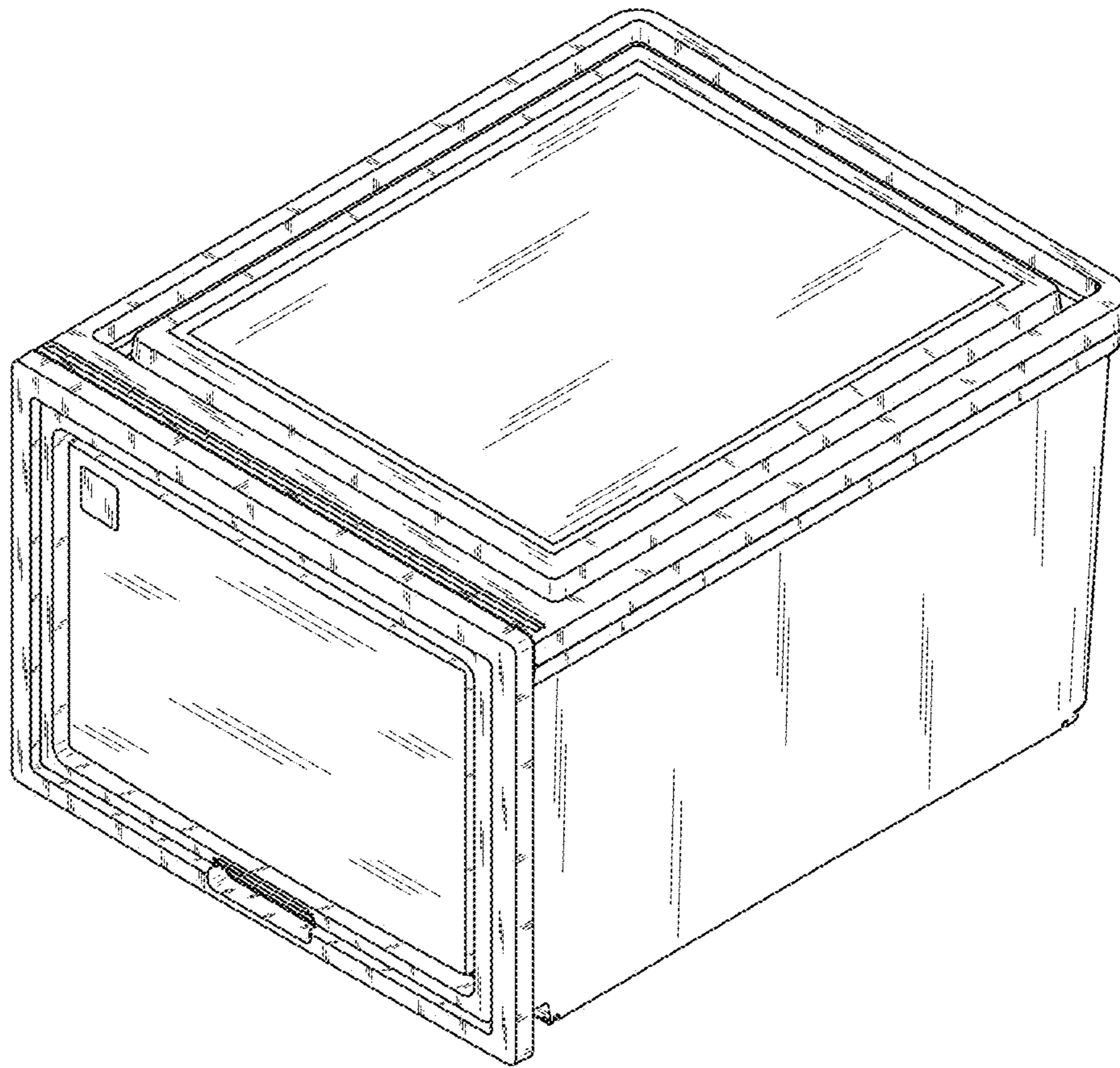


FIG. 10

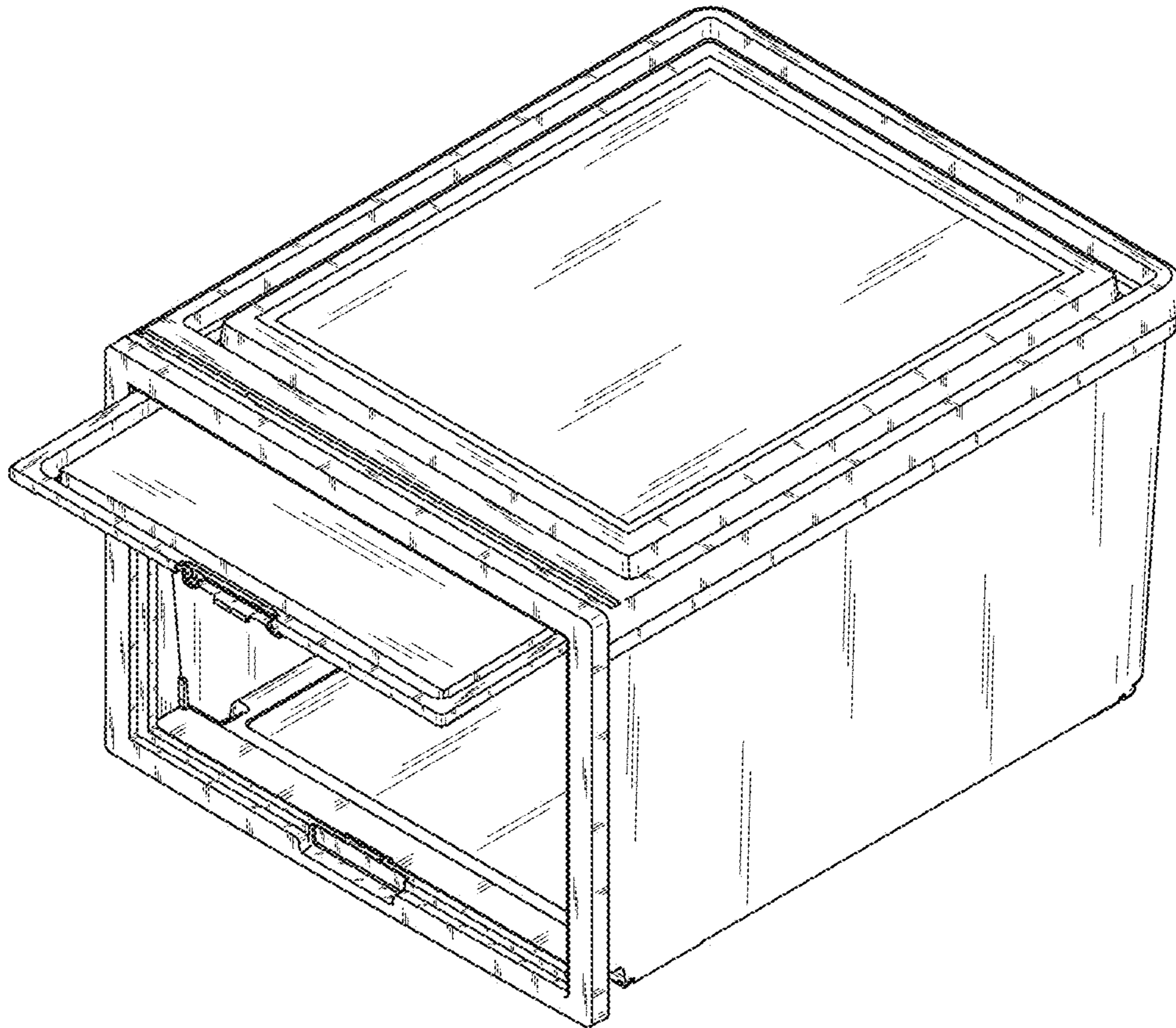


FIG. 11

