



US00D941579S

(12) **United States Design Patent**
Goldstein

(10) **Patent No.:** **US D941,579 S**
(45) **Date of Patent:** **** Jan. 25, 2022**

(54) **COMBINED DICE CASE AND TRAY**

OTHER PUBLICATIONS

(71) Applicant: **Avraham Goldstein**, Flushing, NY
(US)

Amazon.sg, "Protective Padded Dice Case & Integrated Felt Dice Tray . . . ", First on sale Nov. 26, 2018. (<https://www.amazon.sg/GEEKON-Protective-Padding-Nesting-Board/dp/B082WF59YD>) (Year: 2018).*

(72) Inventor: **Avraham Goldstein**, Flushing, NY
(US)

Amazon, "ENHANCE Tabletop Gaming Dice Case and Dice Rolling Tray . . . ", First reviewed Apr. 15, 2020. (<https://www.amazon.com/ENHANCE-Tabletop-Gaming-Dice-Rolling/dp/B07XTNVTRX/>) (Year: 2020).*

(**) Term: **15 Years**

* cited by examiner

(21) Appl. No.: **29/686,562**

(22) Filed: **Apr. 5, 2019**

Primary Examiner — April Rivas

(51) **LOC (13) Cl.** **03-01**

(57) **CLAIM**

(52) **U.S. Cl.**

I claim the ornamental design for a combined dice case and tray, as shown and described.

USPC **D3/274**; D3/301

(58) **Field of Classification Search**

DESCRIPTION

USPC D3/301, 273, 294, 295, 298, 302, 905

CPC A45C 11/00; A45C 15/00

See application file for complete search history.

FIG. 1 is a perspective view of the dice case of the claimed combined dice case and tray design, in an open configuration;

(56) **References Cited**

U.S. PATENT DOCUMENTS

D432,344 S *	10/2000	Eskandry	D3/201
D435,385 S *	12/2000	Eskandry	D3/218
D471,010 S *	3/2003	Wolf	D3/294
D484,731 S *	1/2004	Tung	D3/270
D668,457 S *	10/2012	Mimlitch, III	D3/294
D681,936 S *	5/2013	Basas	D3/203.2
D767,986 S *	10/2016	Epstein	A45C 11/02
				D9/420
D867,759 S *	11/2019	Liu	D3/303
D881,573 S *	4/2020	Liu	D3/303
D883,669 S *	5/2020	Sakai	D3/294
D885,762 S *	6/2020	Long	D3/285
2019/0200717 A1 *	7/2019	Norman	A45C 11/00
2021/0137233 A1 *	5/2021	Hevier	A45C 11/00

FIG. 2 is a right side view of the dice case of FIG. 1;

FIG. 3 is a left side view of the dice case of FIG. 1;

FIG. 4 is a front view of the dice case of FIG. 1;

FIG. 5 is a back view of the dice case of FIG. 1;

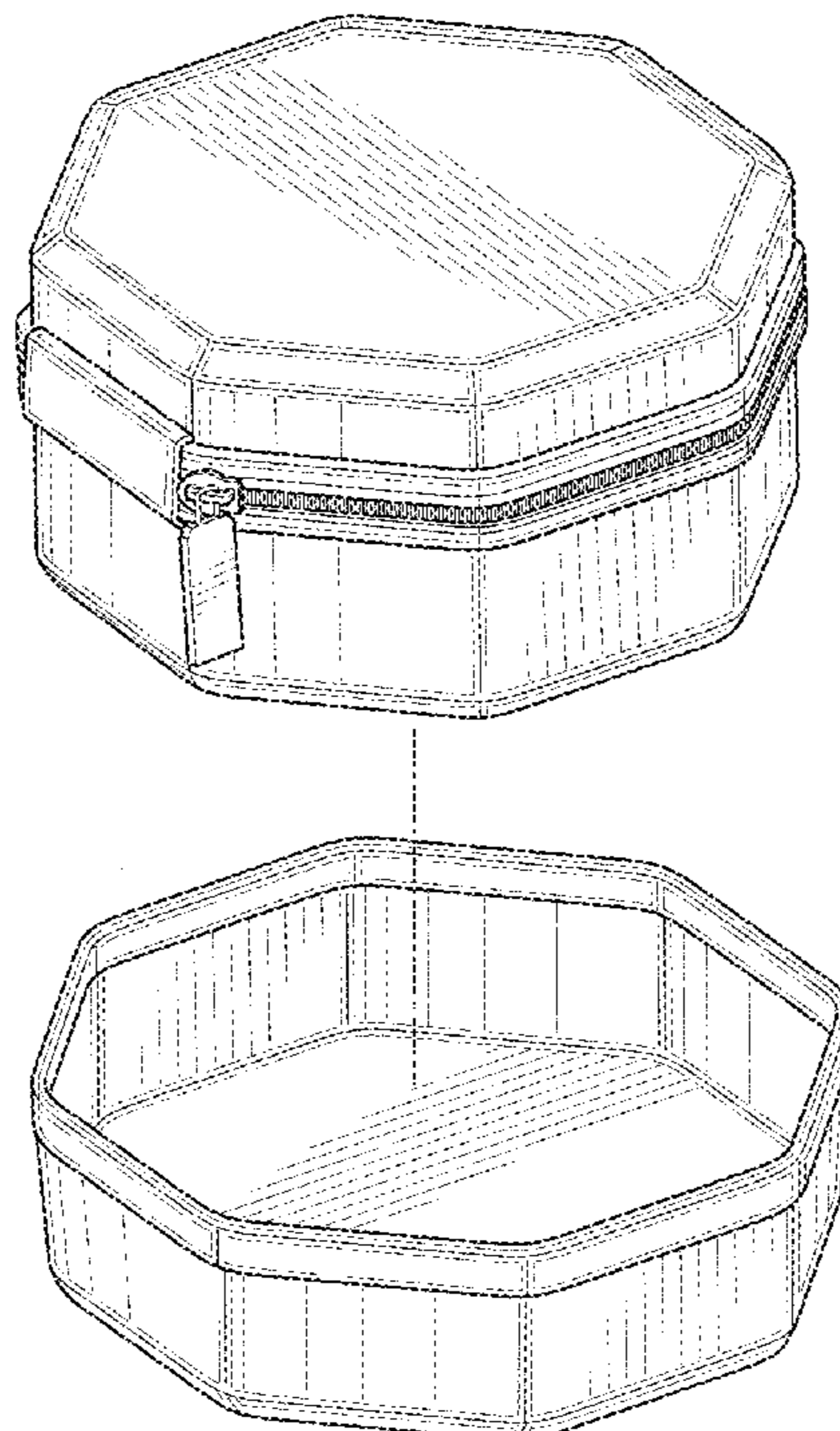
FIG. 6 is a top view of the dice case of FIG. 1;

FIG. 7 is a bottom view of the dice case of FIG. 1; and,

FIG. 8 is a perspective view of the dice case of FIG. 1 in a closed configuration and the dice tray, with the nestable dice tray removed from the bottom of the dice case. The dice tray is symmetrical and all sides of the dice tray are identical.

The broken lines illustrate portions of the combined dice case and tray and form no part of the claimed design.

1 Claim, 4 Drawing Sheets



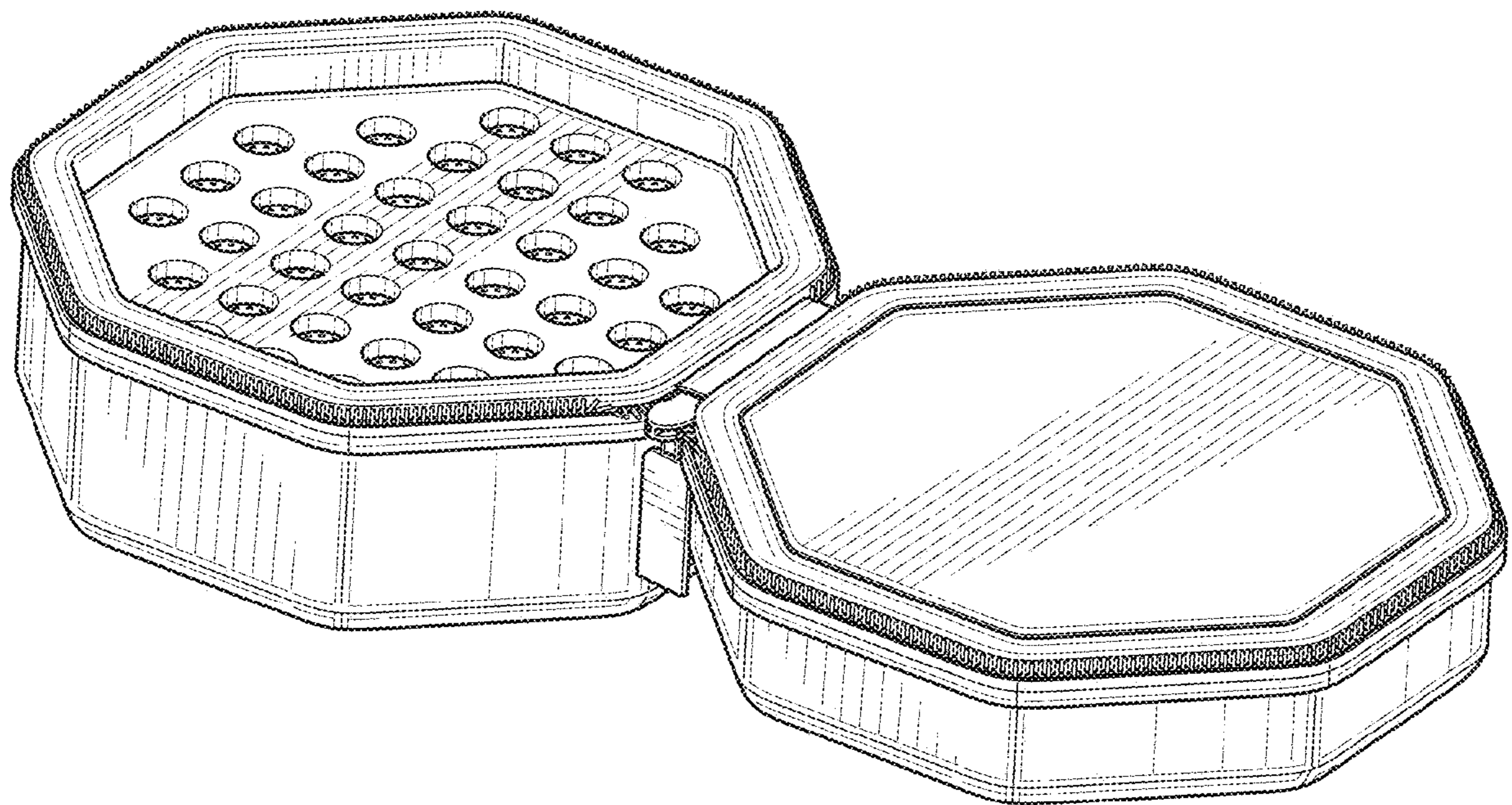


FIG. 1

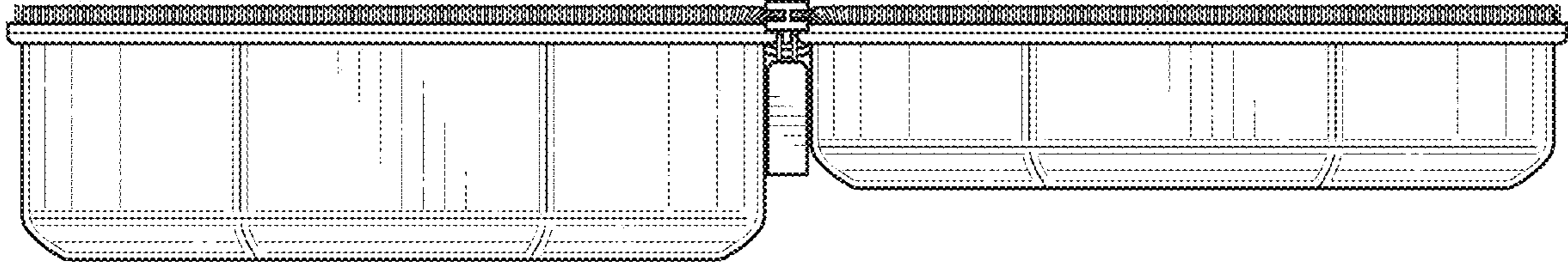


FIG. 2

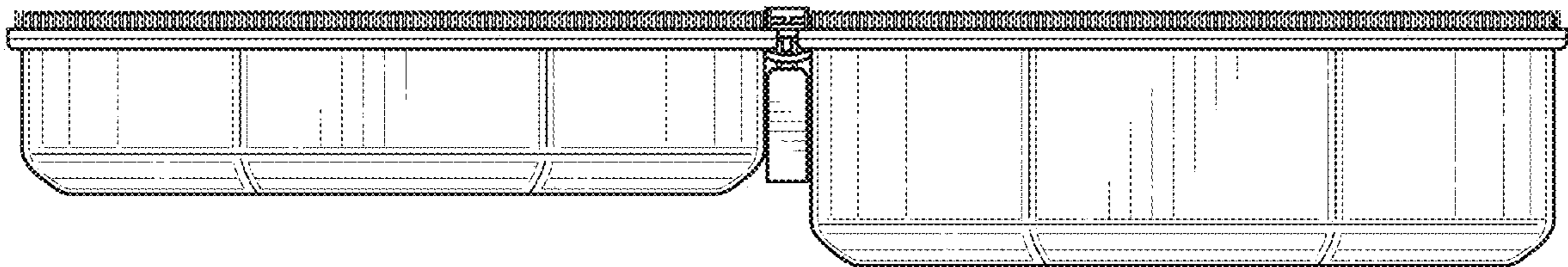


FIG. 3

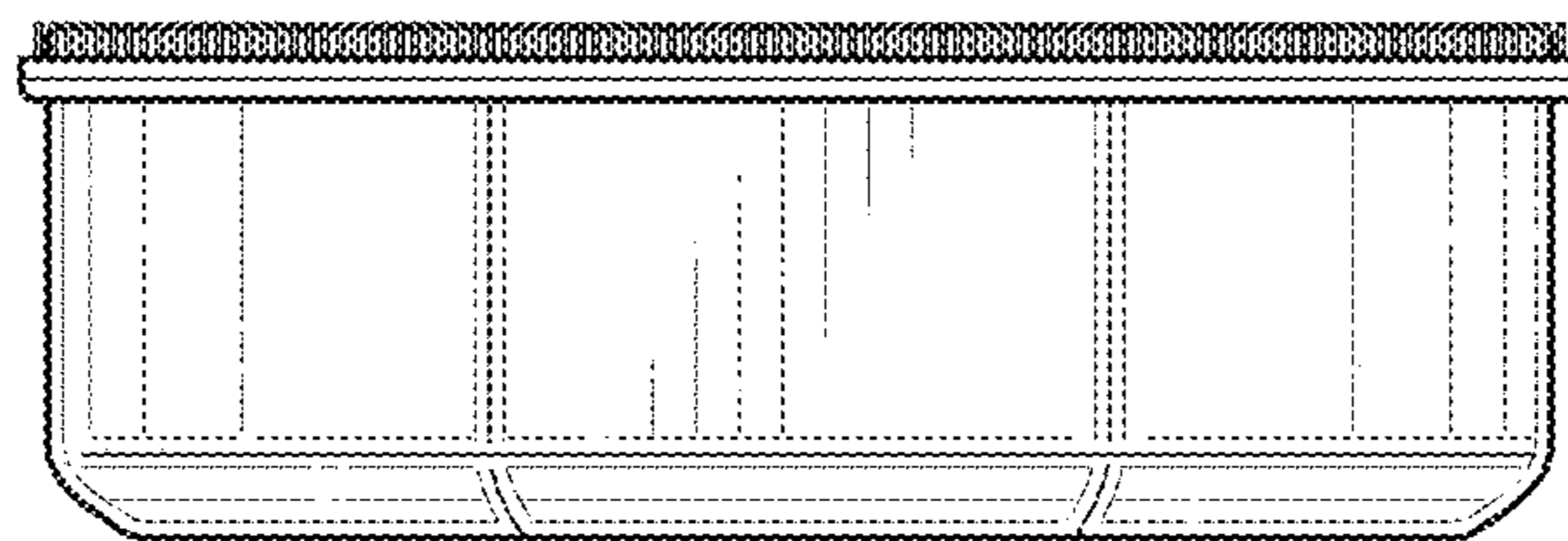


FIG. 4

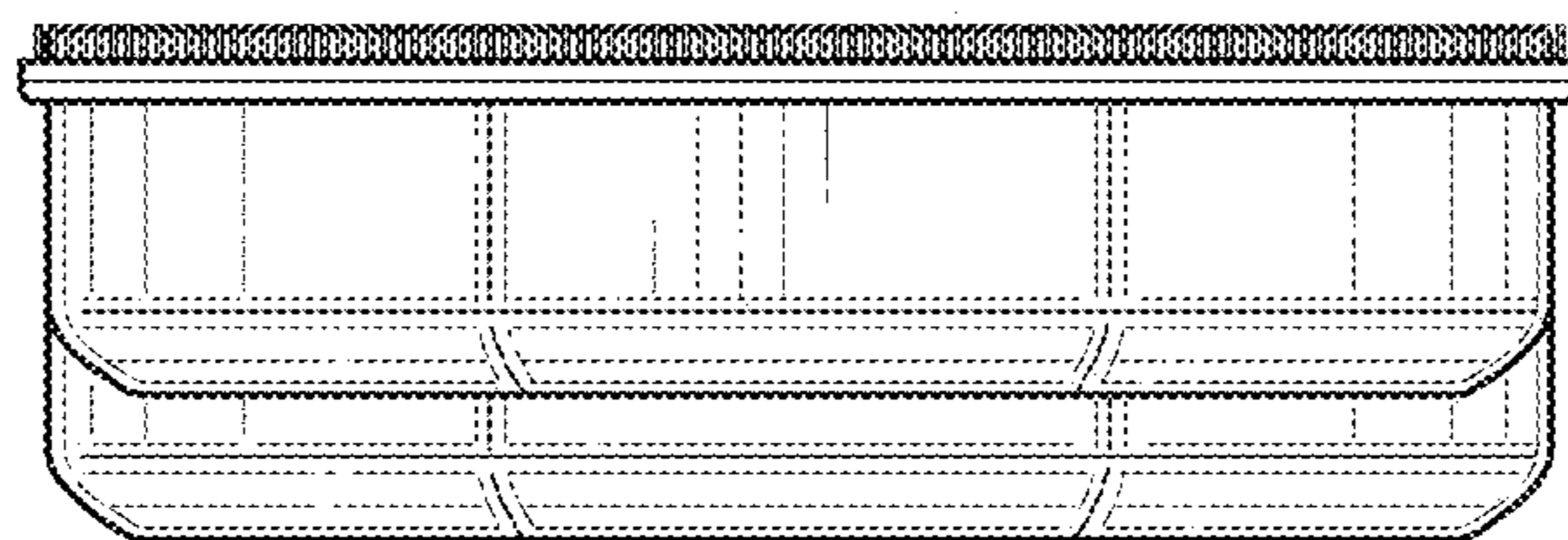


FIG. 5

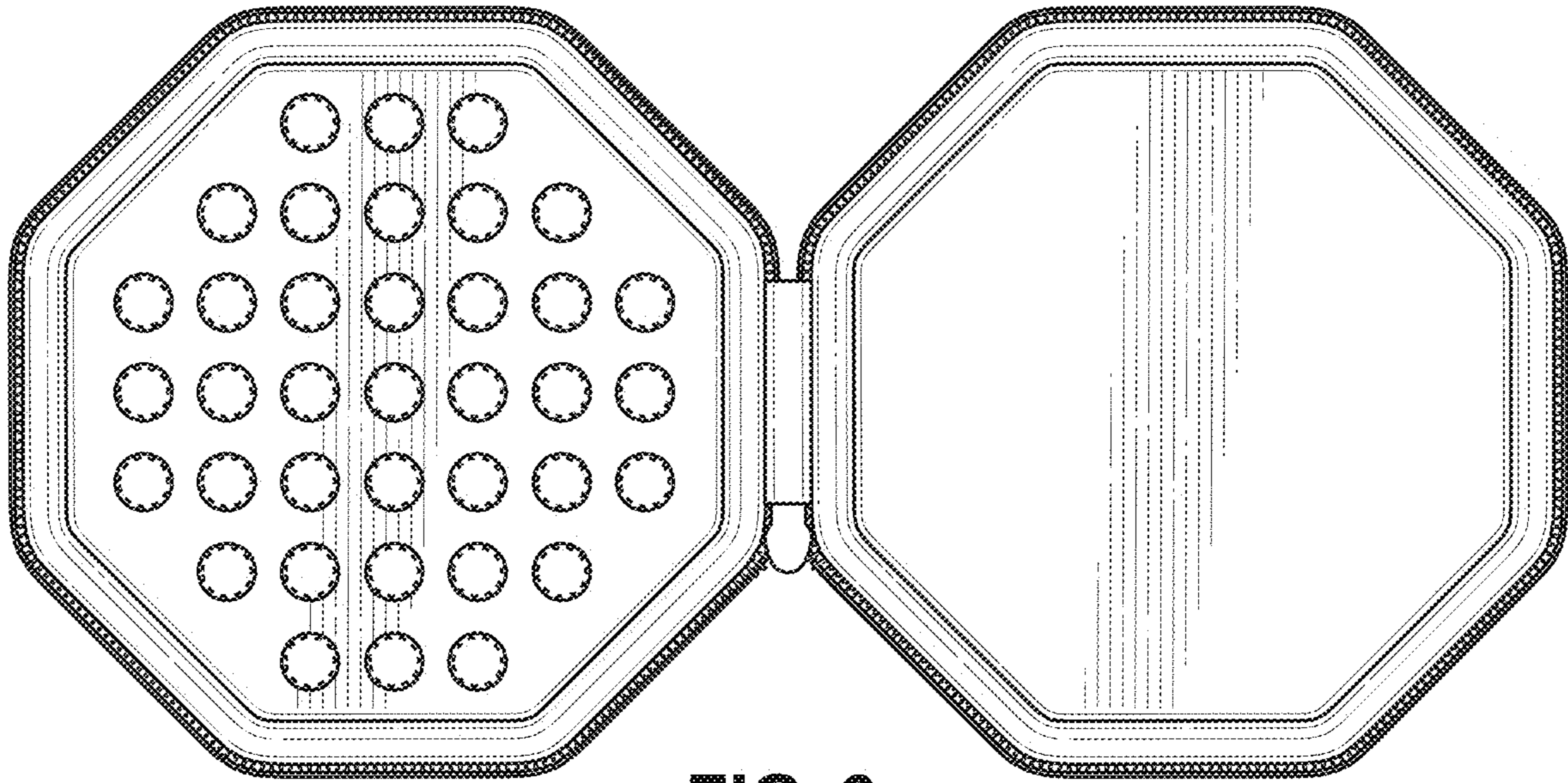


FIG. 6

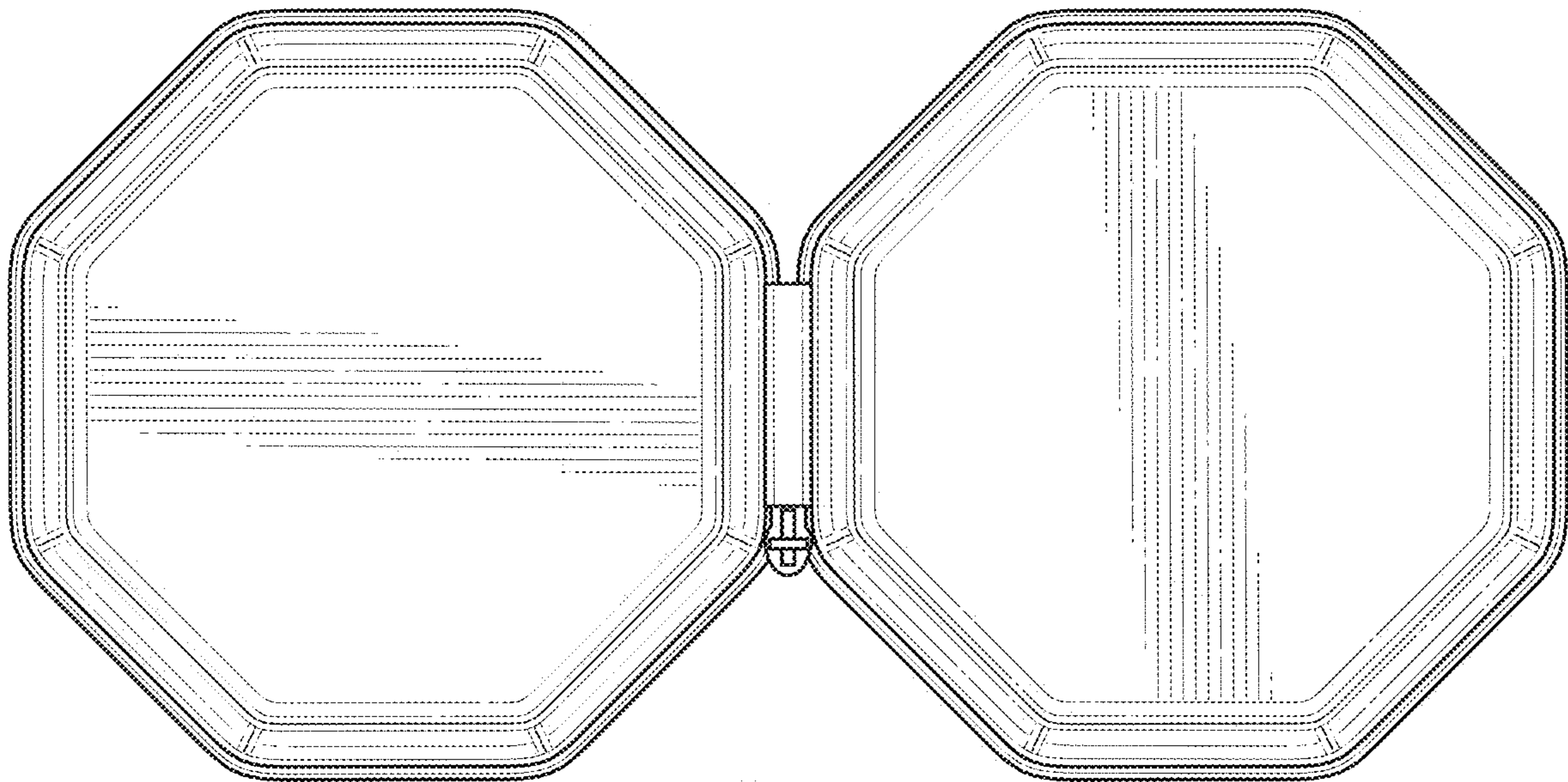


FIG. 7

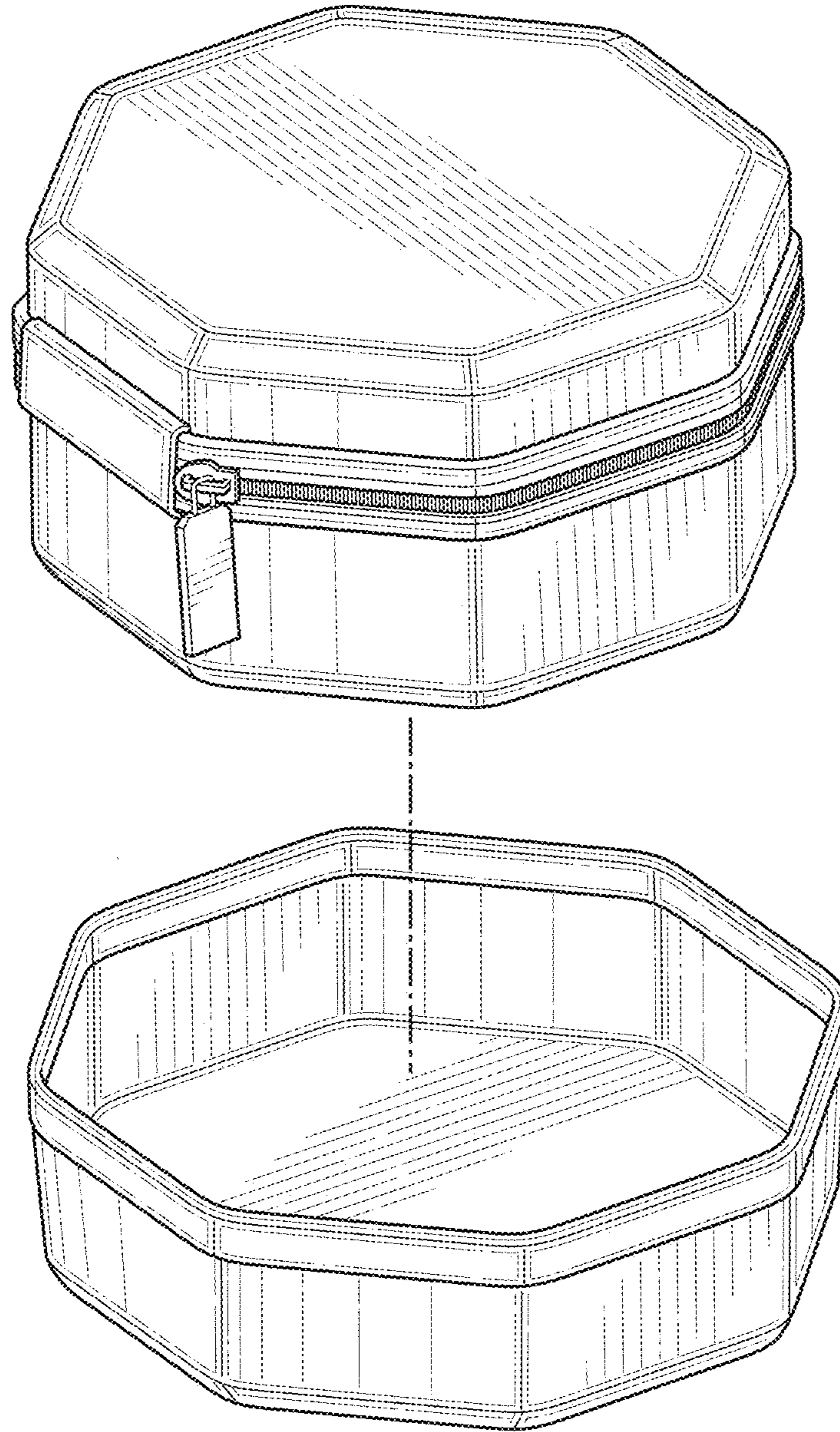


FIG. 8