



US00D941578S

(12) **United States Design Patent** (10) **Patent No.:** **US D941,578 S**
Fernandes (45) **Date of Patent:** **** Jan. 25, 2022**

(54) **VERTICAL OPEN BAG**

(71) Applicant: **Thousand Oaks Corp.**, Irwindale, CA (US)
(72) Inventor: **Tyler Fernandes**, Irwindale, CA (US)
(**) Term: **15 Years**

(21) Appl. No.: **29/735,934**

(22) Filed: **May 26, 2020**

(51) **LOC (13) Cl.** **03-01**

(52) **U.S. Cl.**
USPC **D3/260; D3/905**

(58) **Field of Classification Search**
USPC D3/215–217, 221–222, 224–228,
D3/230–233, 242–246, 254, 259–260,
D3/262, 273, 276, 283–291, 299, 301,
D3/303, 315, 321–322, 904–905;
D22/149–150
CPC A01K 97/06; A45C 1/024; A45C 3/00;
A45C 3/04; A45C 3/06; A45C 3/08;
A45C 3/10; A45C 5/00; A45C 5/005;
A45C 5/06; A45C 7/00; A45C 7/0063;
A45C 7/0077; A45C 11/00; A45C 11/20;
A45C 13/02; A45C 13/08; A45C 13/083;
A45C 13/26; A45C 13/1046; A45C
15/00; A45F 3/02; A45F 3/04; A45F
3/047; A45F 3/08; A45F 3/14; A45F
4/02; A45F 2200/0525

See application file for complete search history.

(56) **References Cited**

U.S. PATENT DOCUMENTS

258,393 A 5/1882 Endicott
1,482,678 A 2/1924 Figley
(Continued)

FOREIGN PATENT DOCUMENTS

CN 101066048 A 11/2007
CN 201360487 12/2009
(Continued)

OTHER PUBLICATIONS

Evolution Outdoor Drift Series Topless Vertical Tackle Bag, first available Mar. 2, 2021, amazon.com [online], [site visited Jun. 28, 2021], Available at internet URL: <https://www.amazon.com/Evolution-Outdoor-Topless-Vertical-Tackle/dp/B08WRVCF31?th=1> (Year: 2021).*
(Continued)

Primary Examiner — Jeffrey D Asch

Assistant Examiner — Caitlin A Laverty

(74) *Attorney, Agent, or Firm* — J. Andrew Reed; Vincent J. Allen; Carstens & Cahoon, LLP

(57) **CLAIM**

The ornamental design for a vertical open bag, as shown and described.

DESCRIPTION

FIG. 1 is a perspective view of the vertical open bag; FIG. 2 is a front elevation view of the bag; FIG. 3 is a rear elevation view of the bag; FIG. 4 is a left side elevation view of the bag; FIG. 5 is a right side elevation view of the bag; FIG. 6 is a top view of the bag, with the handles in a downward position; FIG. 7 is a bottom view of the bag; and, FIG. 8 is a perspective view of the bag showing environmental matter on the top surface. The broken lines shown in the drawings illustrate portions of the vertical open bag and form no part of the claimed design. The broken lines shown in dot dash format illustrate environmental matter and form no part of the claimed design, additionally any unshaded surfaces adjacent to the dot dash environmental matter forms no part of the claimed design. The broken lines shown in the FIG. 8 drawing on the top surface illustrate environmental matter and form no part of the claimed design.

1 Claim, 8 Drawing Sheets



(56)

References Cited

U.S. PATENT DOCUMENTS							
1,791,346	A	2/1931	Burch et al.	D566,393	S	4/2008	Kidakarn
2,102,977	A	12/1937	Shoemaker et al.	D574,615	S	8/2008	Picot et al.
2,316,833	A	4/1943	Baron	7,604,103	B2	10/2009	Hamlin
2,595,463	A	5/1952	Kamps	7,621,074	B2	11/2009	Glidewell et al.
2,616,209	A	11/1952	Ploen	D620,254	S	7/2010	Noraker
2,717,470	A	9/1955	Holdeman	7,937,884	B1	5/2011	Naylor et al.
2,730,833	A	1/1956	Newell	7,941,965	B2	5/2011	Hoover
2,956,365	A	10/1960	Smith et al.	D639,051	S	6/2011	Dare
2,987,846	A	6/1961	Powell	D647,301	S	10/2011	Sosnovsky
3,047,349	A	7/1962	Powell	D648,533	S	11/2011	Sosnovsky
3,122,725	A	2/1964	Ward	D660,589	S	5/2012	Ayjian
3,181,751	A	5/1965	Wilson	8,348,510	B2	1/2013	Mogil
RE25,826	E	8/1965	Ward	D676,652	S	2/2013	Holloway et al.
3,310,271	A	3/1967	King	D692,661	S	11/2013	Gupton, Jr.
3,481,066	A	12/1969	Woolworth	D714,541	S	10/2014	Anderson et al.
3,564,755	A	2/1971	Lindgren, Sr.	D724,318	S	3/2015	Myer
3,813,138	A	5/1974	Doohan	D742,637	S	11/2015	Miles
3,850,396	A	11/1974	Orlandi	D761,564	S	7/2016	Rhodes
4,023,304	A	5/1977	Singer	D762,384	S	8/2016	Boroski
4,151,938	A	5/1979	Barker et al.	D762,978	S	8/2016	Boroski
4,176,491	A	12/1979	Herring	D779,824	S	2/2017	Boroski
4,240,222	A	12/1980	Covington	D781,575	S	3/2017	Etekochoy
4,245,422	A	1/1981	Souza	D787,816	S	5/2017	Slimane
4,324,446	A	4/1982	LeSage	D793,728	S	8/2017	Faibish et al.
D284,333	S	6/1986	Huston	D796,188	S	9/2017	Ho
D284,620	S	* 7/1986	Calton D3/217	D821,097	S	6/2018	Burton et al.
D291,149	S	8/1987	Smith	D824,170	S	7/2018	Tobias
4,739,886	A	4/1988	Seaberg	D831,952	S	10/2018	Pennington
4,769,941	A	9/1988	Schmidt	D832,653	S	* 11/2018	Waskow D7/607
4,811,996	A	3/1989	Hansson	D833,141	S	11/2018	Carter et al.
4,958,730	A	9/1990	Bunten	D835,473	S	12/2018	Jacobsen
D312,530	S	12/1990	Gallen et al.	D835,950	S	12/2018	Jacobsen
5,054,669	A	10/1991	Zimbardi et al.	D836,999	S	1/2019	Jacobsen
5,087,105	A	2/1992	White	D837,000	S	1/2019	Jacobsen
D333,038	S	2/1993	Collins	D837,001	S	1/2019	Jacobsen
5,261,529	A	11/1993	Holland	D837,971	S	* 1/2019	Deanda D3/203.6
D347,521	S	6/1994	Elliott	D845,613	S	4/2019	Decker
D352,827	S	11/1994	Schildkraut	D856,662	S	8/2019	Breines
5,386,662	A	2/1995	Vader et al.	D862,528	S	10/2019	Sullivan et al.
D360,182	S	7/1995	Lovett	10,477,991	B1	11/2019	Fragala
D371,052	S	6/1996	Melk	D873,090	S	1/2020	Jacobsen
5,526,927	A	6/1996	McLemore	D874,129	S	2/2020	Goldstein
5,556,068	A	9/1996	Gorelik	D875,385	S	2/2020	Carter et al.
D376,044	S	12/1996	Trawick et al.	D880,253	S	4/2020	Jacobsen
5,606,820	A	3/1997	Suddeth	D881,655	S	4/2020	Jacobsen
D383,601	S	9/1997	Jones et al.	D887,135	S	6/2020	Tan
D389,305	S	1/1998	Hauschild	D887,136	S	6/2020	Tan
D396,745	S	8/1998	Peterson	D893,183	S	8/2020	Eisenhardt et al.
D401,062	S	* 11/1998	Hauschild D3/287	D896,504	S	* 9/2020	Li D3/217
5,829,185	A	11/1998	Myers	D896,505	S	9/2020	Yuan
D423,779	S	5/2000	Goatcher	D896,514	S	9/2020	Tan
D427,768	S	7/2000	Bogert	D898,349	S	10/2020	He
6,202,865	B1	3/2001	Kuo	D901,882	S	11/2020	Tan
D468,101	S	1/2003	Hassett	10,881,178	B2	1/2021	Johnson
D469,606	S	2/2003	Su	D912,974	S	3/2021	Breines
D471,012	S	3/2003	Peterson	D915,762	S	* 4/2021	Li D3/217
D472,380	S	4/2003	Hillman	D919,287	S	5/2021	He
D472,386	S	4/2003	Bauer	D920,744	S	6/2021	Eisenhardt et al.
D474,598	S	5/2003	Platte, III	D922,061	S	* 6/2021	Tan D3/217
D476,480	S	7/2003	Hillman	D922,062	S	6/2021	Shi
6,612,434	B1	9/2003	Redzisz	D927,174	S	8/2021	Dai
D482,525	S	11/2003	Fair	D927,261	S	8/2021	Rong
D482,842	S	12/2003	Fair	D931,600	S	9/2021	Huang
D484,695	S	1/2004	DePalma	D932,179	S	* 10/2021	Mukri D3/217
D487,189	S	3/2004	Ukitsu	2005/0121275	A1	6/2005	Platte, III
D487,191	S	3/2004	Ong	2005/0279124	A1	12/2005	Maldonado
D504,229	S	4/2005	Duvigneau	2007/0011939	A1	1/2007	Sakai
D506,061	S	6/2005	McGibben	2007/0237432	A1	10/2007	Mogil
6,926,136	B1	8/2005	Lynch-Bass	2008/0029666	A1	2/2008	Hurt
D528,295	S	9/2006	Harvey	2008/0289925	A1	* 11/2008	Sapyta A45C 13/02 190/109
D542,031	S	5/2007	Zapata	2012/0043228	A1	2/2012	Ezzo et al.
7,240,513	B1	7/2007	Conforti	2013/0043293	A1	2/2013	Connell
D552,350	S	10/2007	Bosley	2014/0132131	A1	5/2014	Thomas
D556,452	S	12/2007	Hydon	2014/0290025	A1	10/2014	Custer
D560,450	S	1/2008	Tagliati et al.	2016/0205913	A1	7/2016	Aston et al.
				2016/0244239	A1	* 8/2016	Nash B65D 81/3858
				2016/0374440	A1	12/2016	Lundy et al.
				2018/0220759	A1	* 8/2018	Johnson A45C 7/009

(56)

References Cited

U.S. PATENT DOCUMENTS

2021/0007451 A1* 1/2021 Tan A45F 3/047
 2021/0007452 A1 1/2021 Tan
 2021/0068510 A1 3/2021 Johnson
 2021/0212442 A1 7/2021 Webb

FOREIGN PATENT DOCUMENTS

CN 102972367 A 3/2013
 CN 205357836 U 7/2016
 EP 3071274 A2 2/1983

OTHER PUBLICATIONS

Plano Guide Series Tackle Bag, first available Feb. 10, 2020, amazon.com [online], [site visited Jun. 28, 2021], Available at internet URL: https://www.amazon.com/Plano-Premium-Storage-Included-PLABG371/dp/B084NQLFMH/ref=pd_lpo_2?pd_rd_i=B084NQLFMH&psc=1 (Year: 2020).*

Amazon, “Flambeau 4007 Heritage Tackle Bag, Fir Green/Pewter/Rust, FL40001”, First on sale Apr. 23, 2020. (<https://www.amazon.com/Fiambeau-Heritage-Bait-Binder/dp/B089469PPT>) (Year: 2020).

Ozark Trail Outdoor Equipment “Mesh Bottom Tackle Bag”, 6 pgs.

Amazon, “Piscifun Fishing Tackle Backpack with 4 Trays Large Waterproof Tackle Bag Storage . . .”, (<https://www.amazon.com/Piscifun-Backpack-Capacity-Waterproof-Protective/dp/B07CGJDTN>) (Year: 2018), 13 pgs.

Flambeau 5007 Pro-Angler Tackle Bag (Grey/Red), first available Apr. 23, 2020, amazon.com [online], [site visited Nov. 24, 2020], w Available from internet U RL: https://www.amazon.com/Fiambeau-5007-Pro-Angler-Tackle-Grey/dp/B089458PL7/ref=sr_1_22?dchild=1&gclid=EAiaiQobChM10uut0b6b7QIVCDiGC%E2%80%A6 (Year: 2020).

KastKing Fishing Tackle Bags, first available Jun. 27, 2018, amazon.com [online], [site visited Nov. 14, 2018], Available from internet U R L: https://www.amazon.com/dp/B07F2HV28F/ref=sspa_dk_detail_6?bd_rd_i=B07XRFSFPN&pd_rd_w=a6HTH&pf_rd_p7d37a48b-2b1a-4373-8c1a-bd%E2%80%A6 (Year: 2018).

Okuma Fishing Tackle Soft Sided Tackle Bag, first available Oct. 23, 2015, amazon.com [online], [site visited Nov. 24, 2020], Available from internet U RL: <https://www.amazon.com/Okuma-Fishing-Tackle-Soft-Sided/dp/B018M56S28> (Year: 2015).

Evolution Outdoor Drift Series Topless Horizontal Tackle Bag, first available Feb. 24, 2021, amazon.com [online], [site visited Jun. 28, 2021], Available at internet URL: <https://www.amazon.com/Evolution-Outdoor-Topless-Horizontal-Tackle/dp/B08WRNXBXV?th=1&psc=1> (Year: 2021).

KastKing Fishing Tackle Bag, first available Jun. 27, 2018, amazon.com [online], [site visited Jun. 28, 2021], Available at internet URL: https://www.amazon.com/KastKing-Saltwater-Waterproof-Medium-Hoss-15x11x10-25/dp/B07XRFSFPN/ref=pd_lpo_3?pd_rd_i=B07F2GH9VS&psc=1 (Year: 2018).

International Search Report and Written Opinion dated May 19, 2017 of PCT Application No. PCT/US2016/047971, 14 pages.

* cited by examiner



FIG. 1

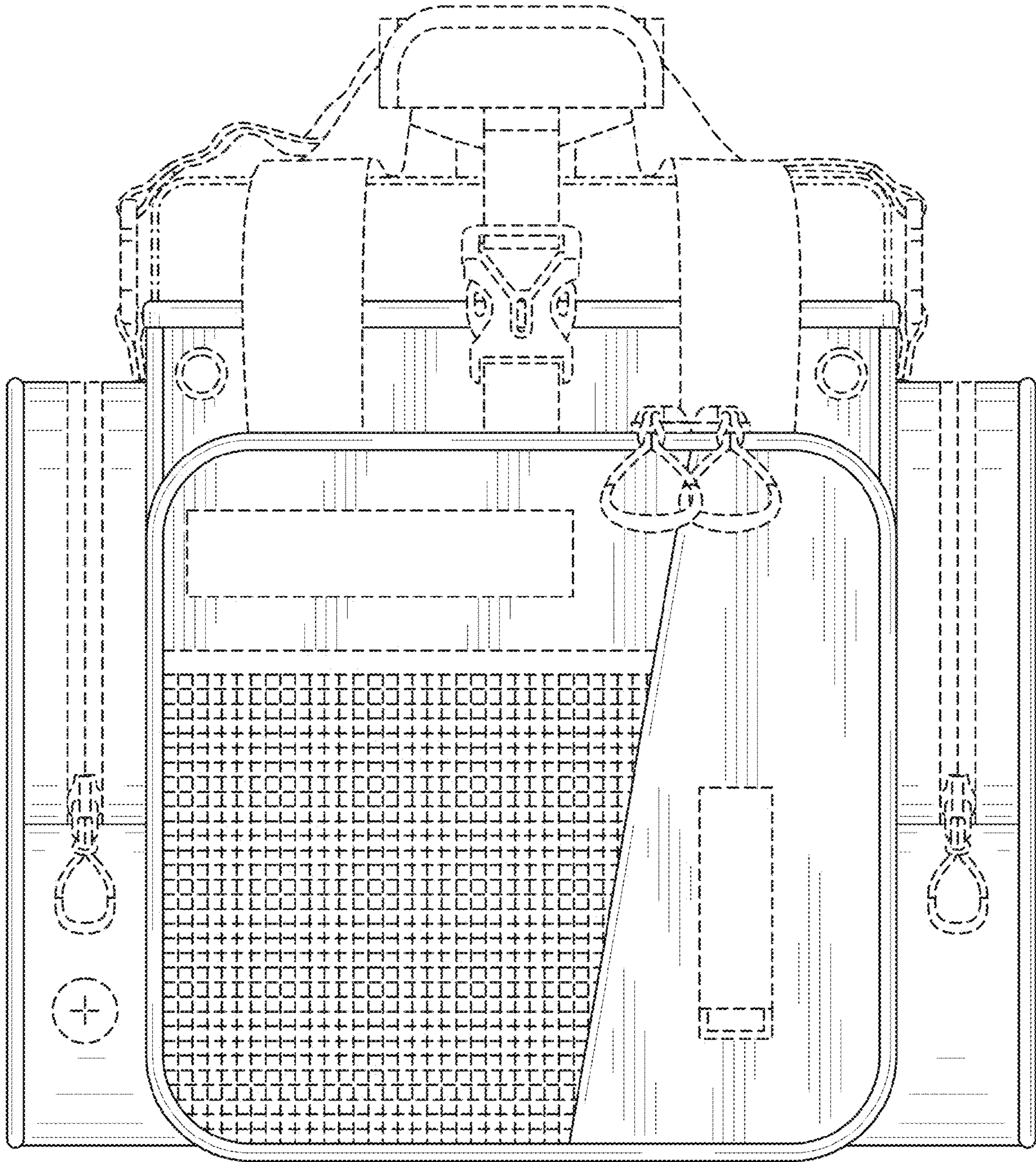


FIG. 2

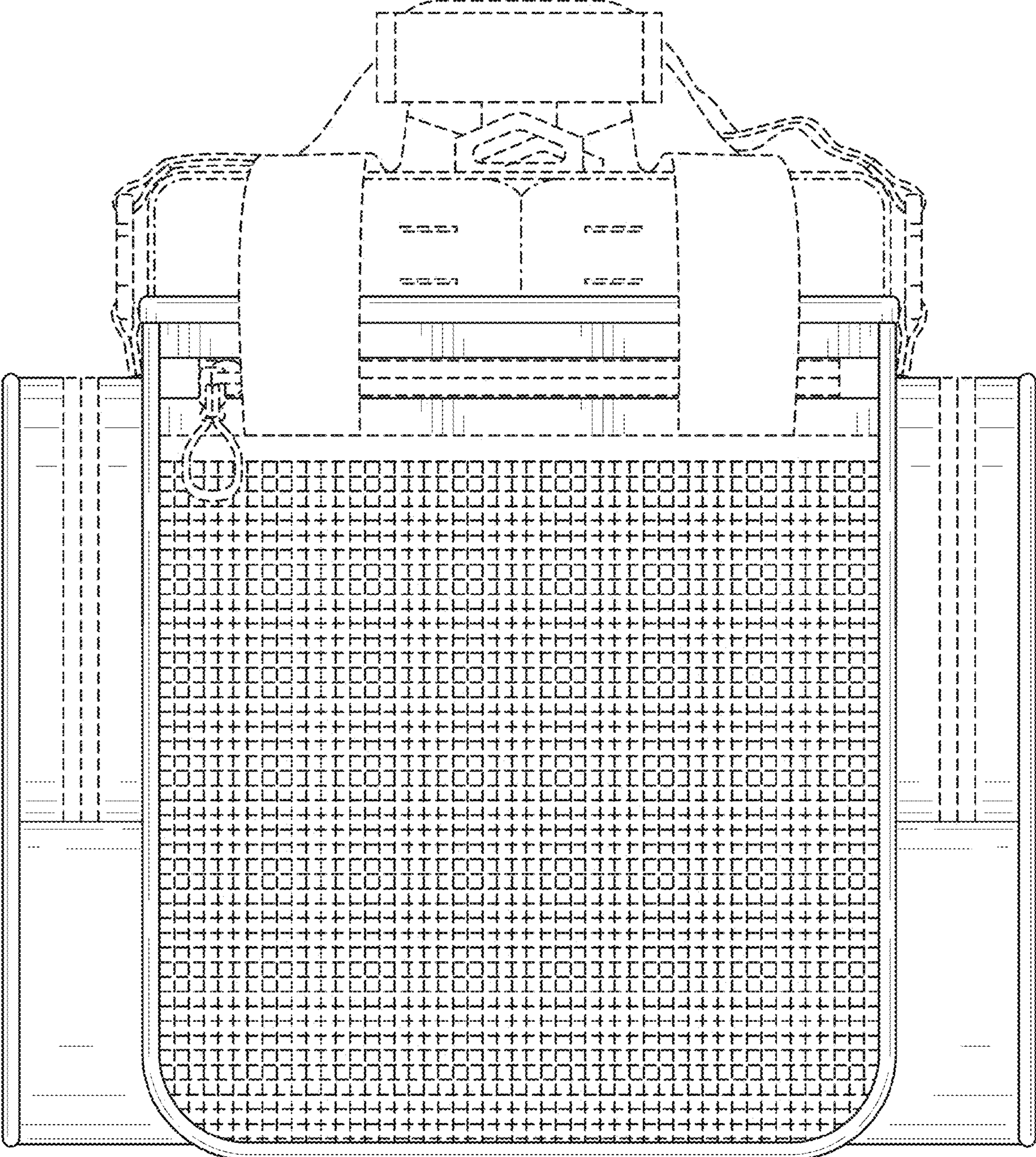


FIG. 3

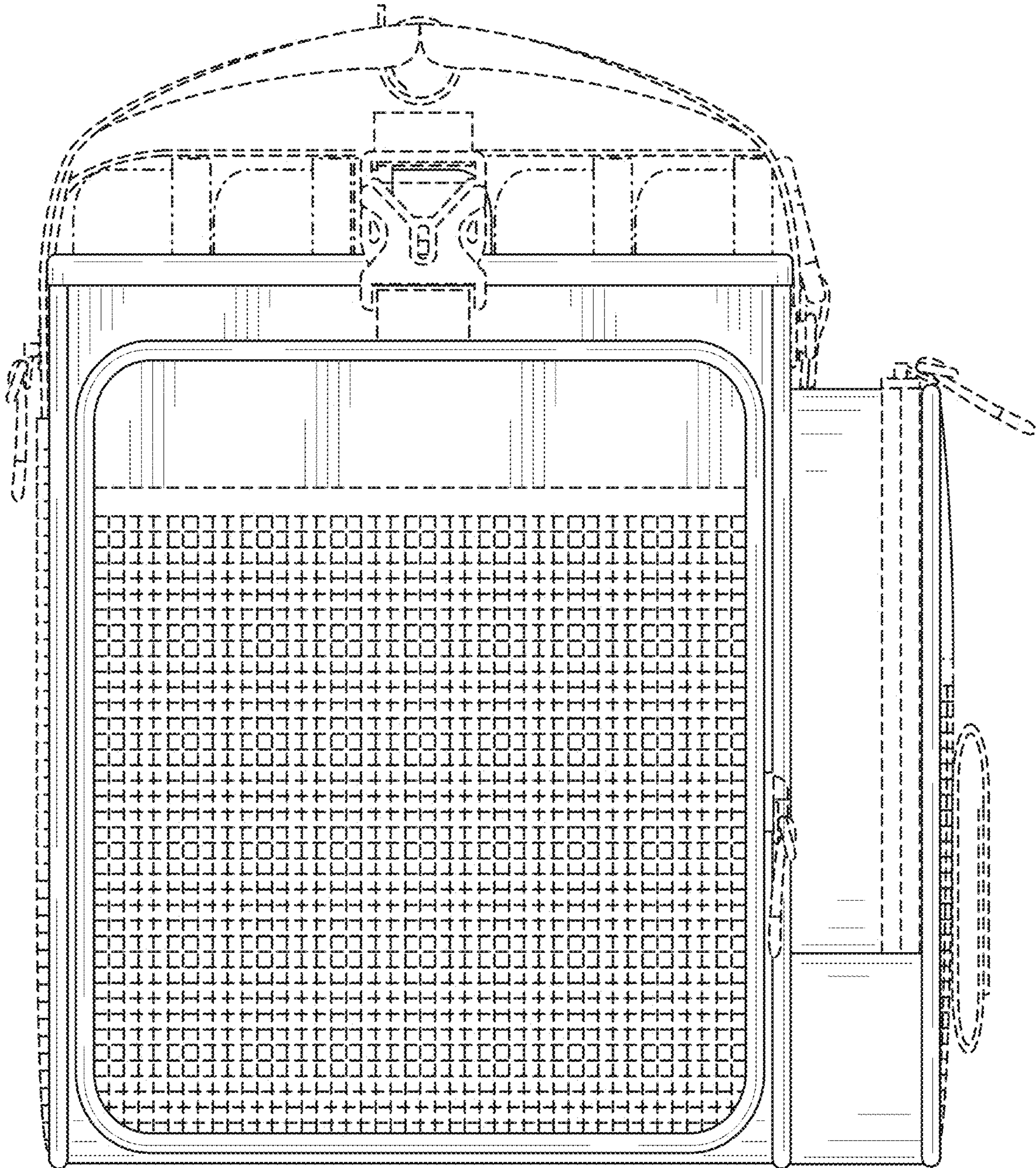


FIG. 4

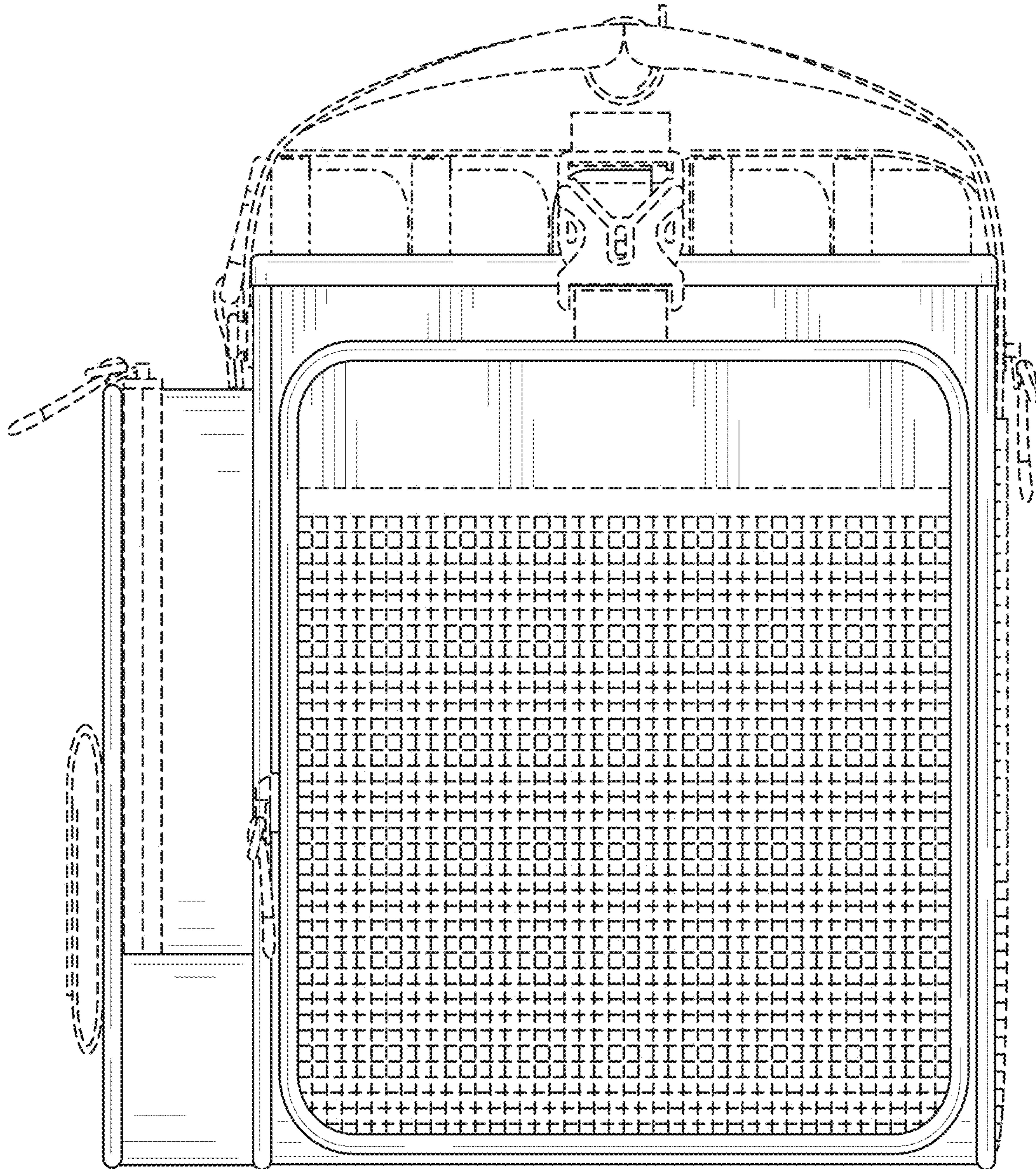


FIG. 5

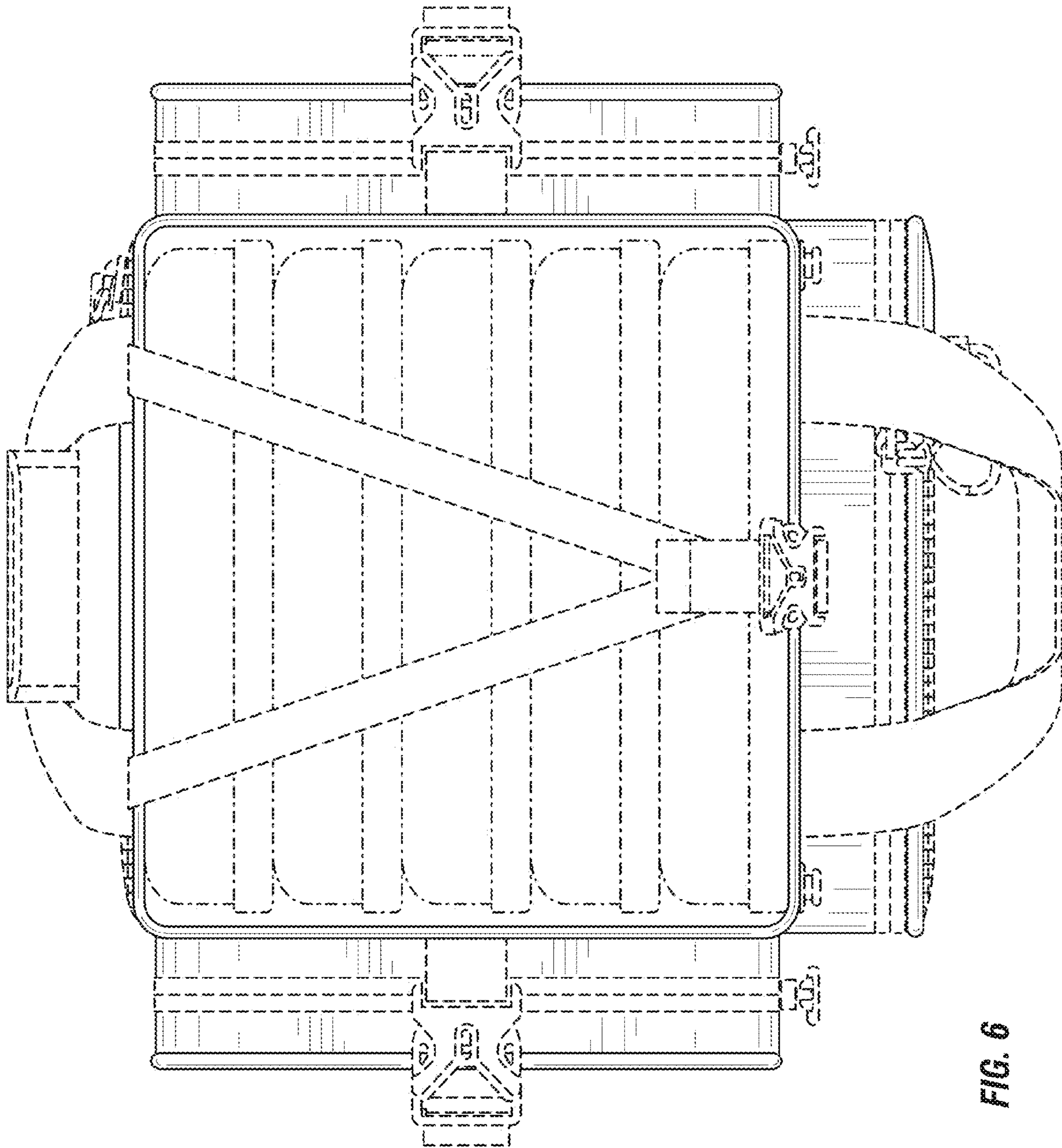


FIG. 6

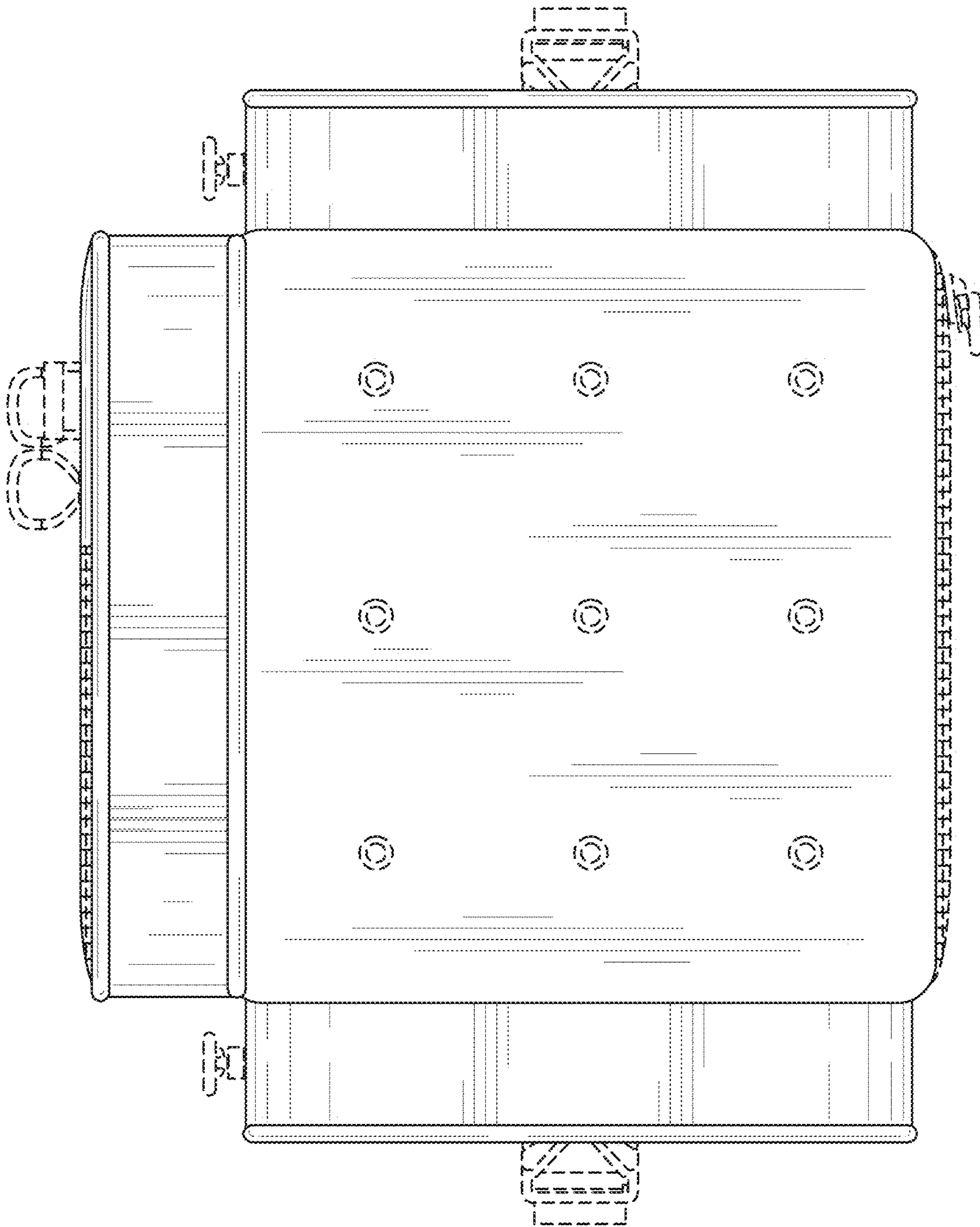


FIG. 7

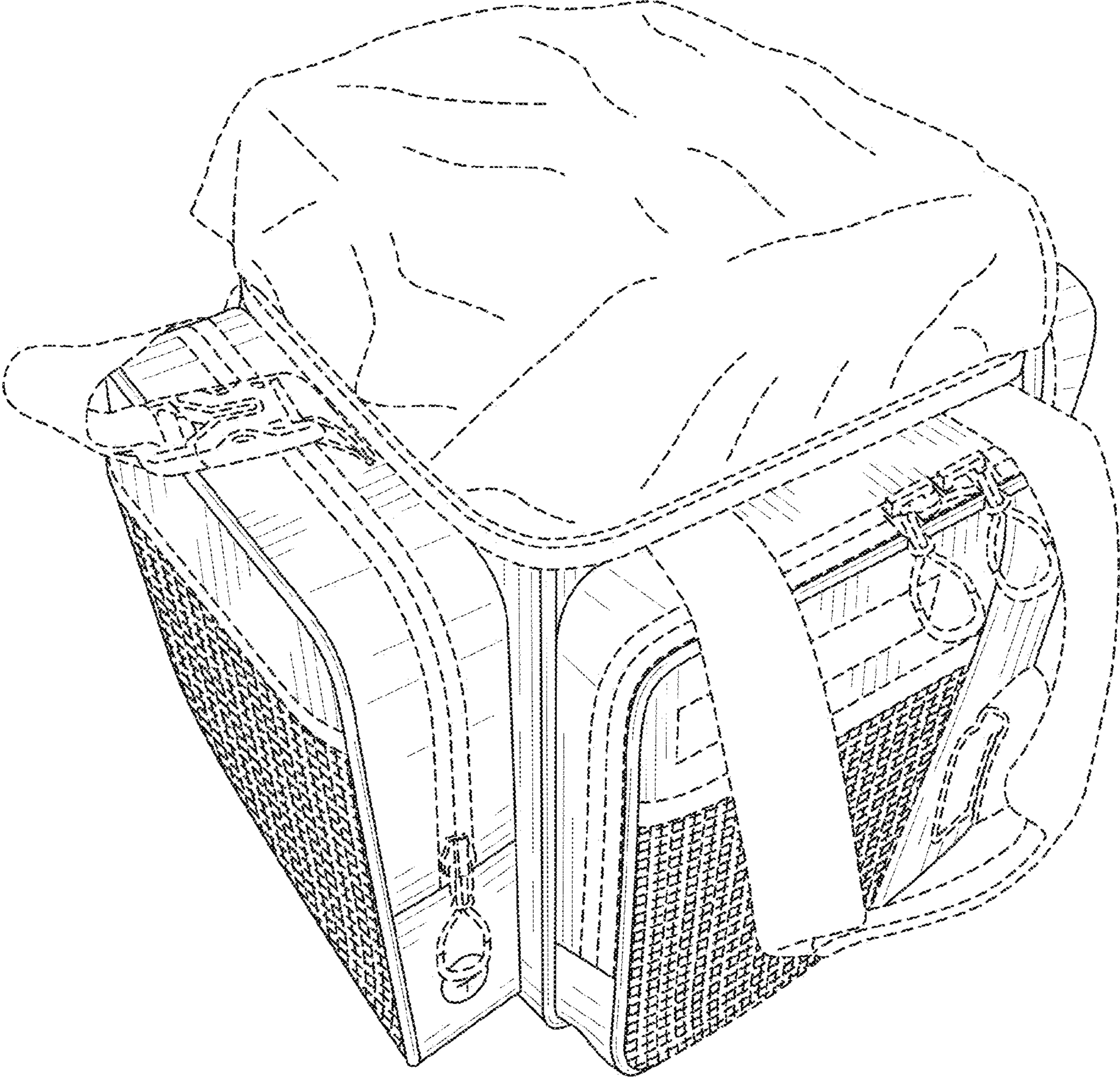


FIG. 8