



US00D941577S

(12) **United States Design Patent**
Fernandes

(10) **Patent No.:** **US D941,577 S**
(45) **Date of Patent:** **** Jan. 25, 2022**

(54) **HORIZONTAL OPEN BAG**

(71) Applicant: **Thousand Oaks Corp.**, Irwindale, CA (US)
(72) Inventor: **Tyler Fernandes**, Irwindale, CA (US)
(**) Term: **15 Years**

(21) Appl. No.: **29/735,931**
(22) Filed: **May 26, 2020**
(51) **LOC (13) Cl.** **03-01**
(52) **U.S. Cl.**
USPC **D3/260; D3/905**
(58) **Field of Classification Search**
USPC D3/215–217, 221–222, 224–228,
D3/230–233, 242–246, 254, 259–260,
D3/262, 273, 276, 283–291, 299, 301,
D3/303, 315, 321–322, 904–905;
D22/149–150
CPC A01K 97/06; A45C 1/024; A45C 3/00;
A45C 3/04; A45C 3/06; A45C 3/08;
A45C 3/10; A45C 5/00; A45C 5/005;
A45C 5/06; A45C 7/00; A45C 7/0063;
A45C 7/0077; A45C 11/00; A45C 11/20;
A45C 13/02; A45C 13/08; A45C 13/083;
A45C 13/26; A45C 13/1046; A45C
15/00; A45F 3/02;

(Continued)

(56) **References Cited**

U.S. PATENT DOCUMENTS

258,393 A 5/1882 Endicott
1,482,678 A 2/1924 Figley
(Continued)

FOREIGN PATENT DOCUMENTS

CN 101066048 A 11/2007
CN 201360487 12/2009
(Continued)

OTHER PUBLICATIONS

Evolution Outdoor Drift Series Topless Horizontal Tackle Bag, first available Feb. 24, 2021, amazon.com [online], [site visited Jun. 28, 2021], Available at internet URL: <https://www.amazon.com/Evolution-Outdoor-Topless-Horizontal-Tackle/dp/B08WRNXXBXV?th=1&psc=1> (Year: 2021).*

(Continued)

Primary Examiner — Jeffrey D Asch

Assistant Examiner — Caitlin A Laverty

(74) *Attorney, Agent, or Firm* — J. Andrew Reed; Vincent J. Allen; Carstens & Cahoon, LLP

(57) **CLAIM**

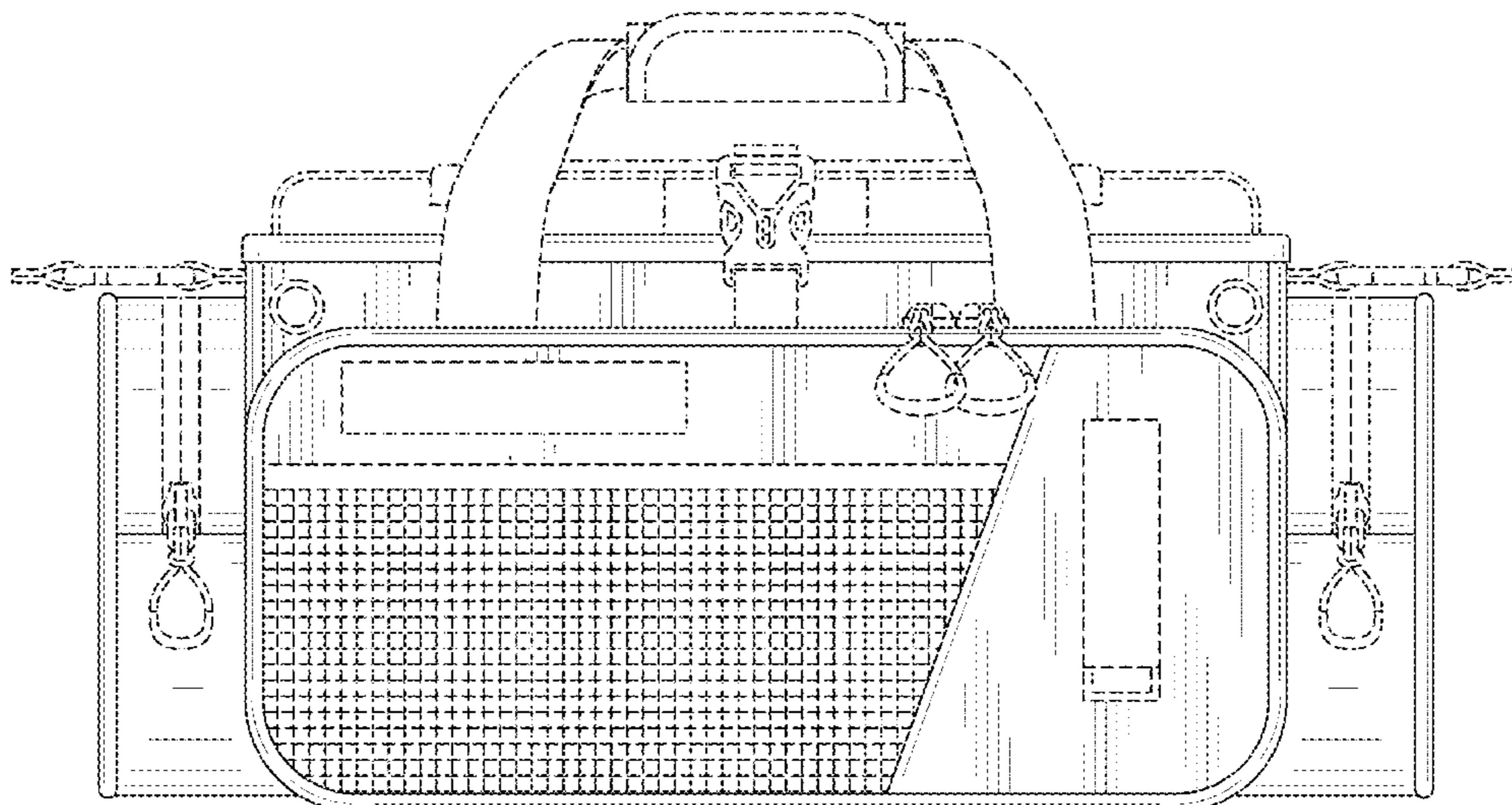
The ornamental design for a horizontal open bag, as shown and described.

DESCRIPTION

FIG. 1 is a perspective view of the horizontal open bag with the handles and strap in a downward position; FIG. 2 is a front elevation view of the bag, with the handles in an upright position; FIG. 3 is a left side elevation view of the bag; FIG. 4 is a right side elevation view of the bag; FIG. 5 is a rear elevation view of the bag; FIG. 6 is a top view of the bag, with the handles in a downward position and a strap feature on the top surface; FIG. 7 is a bottom view of the bag; and, FIG. 8 is a perspective view of the bag showing environmental matter on the top surface.

The broken lines shown in the drawings illustrate portions of the horizontal open bag and form no part of the claimed design. The broken lines shown in dot dash format illustrate environmental matter and form no part of the claimed design. Additionally, any unshaded surfaces adjacent to the dot dash environment matter forms no part of the claimed design. The broken lines shown in the FIG. 8 drawing on the top surface illustrate environmental matter and form no part of the claimed design.

1 Claim, 8 Drawing Sheets



(58) **Field of Classification Search**
 CPC A45F 3/04; A45F 3/047; A45F 3/08; A45F
 3/14; A45F 4/02; A45F 2200/0525
 See application file for complete search history.

(56) **References Cited**

U.S. PATENT DOCUMENTS

1,791,346 A 2/1931 Burch et al.
 2,102,977 A 12/1937 Shoemaker et al.
 2,316,833 A 4/1943 Baron
 2,595,463 A 5/1952 Kamps
 2,616,209 A 11/1952 Ploen
 2,717,470 A 9/1955 Holdeman
 2,730,833 A 1/1956 Newell
 2,956,365 A 10/1960 Smith et al.
 2,987,846 A 6/1961 Powell
 3,047,349 A 7/1962 Powell
 3,122,725 A 2/1964 Ward
 3,181,751 A 5/1965 Wilson
 RE25,826 E 8/1965 Ward
 3,310,271 A 3/1967 King
 3,481,066 A 12/1969 Woolworth
 3,564,755 A 2/1971 Lindgren, Sr.
 3,813,138 A 5/1974 Doohan
 3,850,396 A 11/1974 Orlandi
 4,023,304 A 5/1977 Singer
 4,151,938 A 5/1979 Barker et al.
 4,176,491 A 12/1979 Herring
 4,240,222 A 12/1980 Covington
 4,245,422 A 1/1981 Souza
 4,324,446 A 4/1982 LeSage
 D284,333 S 6/1986 Huston
 D284,620 S * 7/1986 Calton D3/217
 D291,149 S * 8/1987 Smith D3/287
 4,739,886 A 4/1988 Seaberg
 4,769,941 A 9/1988 Schmidt
 4,811,996 A 3/1989 Hansson
 4,958,730 A 9/1990 Bunten
 D312,530 S 12/1990 Gallen et al.
 5,054,669 A 10/1991 Zimbardi et al.
 5,087,105 A 2/1992 White
 D333,038 S 2/1993 Collins
 5,261,529 A 11/1993 Holland
 D347,521 S 6/1994 Elliott
 D352,827 S 11/1994 Schildkraut
 5,386,662 A 2/1995 Vader et al.
 D360,182 S 7/1995 Lovett
 D371,052 S 6/1996 Melk
 5,526,927 A 6/1996 McLemore
 5,556,068 A 9/1996 Gorelik
 D376,044 S 12/1996 Trawick et al.
 5,606,820 A 3/1997 Suddeth
 D383,601 S 9/1997 Jones et al.
 D389,305 S 1/1998 Hauschild
 D396,745 S 8/1998 Peterson
 D401,062 S * 11/1998 Hauschild D3/287
 5,829,185 A 11/1998 Myers
 D423,779 S * 5/2000 Goatcher D3/283
 D427,768 S 7/2000 Bogert
 6,202,865 B1 3/2001 Kuo
 D468,101 S 1/2003 Hassett
 D469,606 S 2/2003 Su
 D471,012 S 3/2003 Peterson
 D472,380 S 4/2003 Hillman
 D472,386 S 4/2003 Bauer
 D474,598 S 5/2003 Platte, III
 D476,480 S 7/2003 Hillman
 6,612,434 B1 9/2003 Redzisz
 D482,525 S 11/2003 Fair
 D482,842 S * 12/2003 Fair D3/263
 D484,695 S 1/2004 DePalma
 D487,189 S 3/2004 Ukitsu
 D487,191 S 3/2004 Ong
 D504,229 S 4/2005 Duvigneau
 D506,061 S 6/2005 McGibben
 6,926,136 B1 8/2005 Lynch-Bass

D528,295 S 9/2006 Harvey
 D542,031 S 5/2007 Zapata
 7,240,513 B1 7/2007 Conforti
 D552,350 S 10/2007 Bosley
 D556,452 S 12/2007 Hydon
 D560,450 S 1/2008 Tagliati et al.
 D566,393 S 4/2008 Kidakarn
 D574,615 S 8/2008 Picot et al.
 7,604,103 B2 10/2009 Hamlin
 7,621,074 B2 11/2009 Glidewell et al.
 D620,254 S 7/2010 Noraker
 7,937,884 B1 5/2011 Naylor et al.
 7,941,965 B2 5/2011 Hoover
 D639,051 S 6/2011 Dare
 D647,301 S * 10/2011 Sosnovsky D3/283
 D648,533 S 11/2011 Sosnovsky
 D660,589 S 5/2012 Ayjian
 8,348,510 B2 1/2013 Mogil
 D676,652 S 2/2013 Holloway et al.
 D692,661 S 11/2013 Gupton, Jr.
 D714,541 S 10/2014 Anderson et al.
 D724,318 S 3/2015 Myer
 D742,637 S 11/2015 Miles
 D761,564 S 7/2016 Rhodes
 D762,384 S 8/2016 Boroski
 D762,978 S 8/2016 Boroski
 D779,824 S * 2/2017 Boroski D3/283
 D781,575 S 3/2017 Etekochoy
 D787,816 S 5/2017 Slimane
 D793,728 S 8/2017 Faibish et al.
 D796,188 S 9/2017 Ho
 D821,097 S 6/2018 Burton et al.
 D824,170 S 7/2018 Tobias
 D831,952 S 10/2018 Pennington
 D832,653 S 11/2018 Waskow et al.
 D833,141 S 11/2018 Carter et al.
 D835,473 S 12/2018 Jacobsen
 D835,950 S 12/2018 Jacobsen
 D836,999 S 1/2019 Jacobsen
 D837,000 S 1/2019 Jacobsen
 D837,001 S 1/2019 Jacobsen
 D838,971 S * 1/2019 Deanda D3/203.6
 D845,613 S 4/2019 Decker
 D856,662 S 8/2019 Breines
 D862,528 S 10/2019 Sullivan et al.
 10,477,991 B1 11/2019 Fragala
 D873,090 S 1/2020 Jacobsen
 D874,129 S 2/2020 Goldstein
 D875,385 S 2/2020 Carter et al.
 D880,253 S 4/2020 Jacobsen
 D881,655 S 4/2020 Jacobsen
 D887,135 S * 6/2020 Tan D3/260
 D887,136 S 6/2020 Tan
 D893,183 S 8/2020 Eisenhardt et al.
 D896,504 S 9/2020 Li
 D896,505 S 9/2020 Yuan
 D896,514 S 9/2020 Tan
 D898,349 S 10/2020 He
 D901,882 S * 11/2020 Tan D3/232
 10,881,178 B2 1/2021 Johnson
 D912,974 S 3/2021 Breines
 D915,762 S 4/2021 Li
 D919,287 S 5/2021 He
 D920,744 S 6/2021 Eisenhardt et al.
 D922,061 S 6/2021 Tan
 D922,062 S 6/2021 Shi
 D927,174 S 8/2021 Dai
 D927,261 S 8/2021 Rong
 D931,600 S 9/2021 Huang
 D932,179 S * 10/2021 Mukri D3/217
 2005/0121275 A1 6/2005 Platte, III
 2005/0279124 A1 12/2005 Maldonado
 2007/0011939 A1 1/2007 Sakai
 2007/0237432 A1 10/2007 Mogil
 2008/0029666 A1 2/2008 Hurt
 2008/0289925 A1 11/2008 Sapyta
 2012/0043228 A1 2/2012 Ezzo et al.
 2013/0043293 A1 2/2013 Connell
 2014/0132131 A1 5/2014 Thomas

(56)

References Cited

U.S. PATENT DOCUMENTS

2014/0290025	A1	10/2014	Custer
2016/0205913	A1	7/2016	Aston et al.
2016/0244239	A1	8/2016	Nash
2016/0374440	A1	12/2016	Lundy et al.
2018/0220759	A1	8/2018	Johnson
2021/0007451	A1	1/2021	Tan
2021/0007452	A1	1/2021	Tan
2021/0068510	A1	3/2021	Johnson
2021/0212442	A1	7/2021	Webb

FOREIGN PATENT DOCUMENTS

CN	102972367	A	3/2013
CN	205357836	U	7/2016
EP	3071274	A2	2/1983

OTHER PUBLICATIONS

KastKing Fishing Tackle Bag, first available Jun. 27, 2018, amazon.com [online], [site visited Jun. 28, 2021], Available at internet URL: https://www.amazon.com/KastKing-Saltwater-Waterproof-Medium-Hoss-15x11x10-25/dp/B07XRFSFPN/ref=pd_lpo_3?pd_rd_i=B07F2GH9VS&pvc=1 (Year: 2018).*

Flambeau 5007 Pro-Angler Tackle Bag (Grey/Red), first available Apr. 23, 2020, amazon.com [online], [site visited Nov. 24, 2020], w Available from internet U RL: https://www.amazon.com/Fiarnbeau-5007-Pro-Angler-Tackle-Grey/dp/B089458PL7/ref=sr_1_22?dchild=1&gclid=EAiaiQobChM10uut0b6b7QIVCDiGC%E2%80%A6 (Year: 2020).

KastKing Fishing Tackle Bags, first available Jun. 27, 2018, amazon.com [online], [site visited Nov. 14, 2018], Available from internet U R L: https://www.amazon.com/dp/B07F2HV28F/ref=sspa_dk_detail_6?pd_rd_i=B07XRFSFPN&pd_rd_w=a6HHTH&pf_rd_p7d37a48b-2b1a-4373-8c1a-bd%E2%80%A6 (Year: 2018).

Okuma Fishing Tackle Soft Sided Tackle Bag, first available Oct. 23, 2015, amazon.com [online], [site visited Nov. 24, 2020], Available from internet U RL: <https://www.amazon.com/Okurna-Fishing-Tackle-Soft-Sided/dp/B018M56S28> (Year: 2015).

Amazon, “Flambeau 4007 Heritage Tackle Bag, Fir Green/Pewter/Rust, FL40001”, First on sale Apr. 23, 2020. (<https://www.amazon.com/Fiarnbeau-Heritage-Bait-Binder/dp/B089469PPT>) (Year: 2020).

Ozark Trail Outdoor Equipment “Mesh Bottom Tackle Bag”, 6 pgs. Amazon, “Piscifun Fishing Tackle Backpack with 4 Trays Large Waterproof Tackle Bag Storage . . .”, (<https://www.amazon.com/Piscifun-Backpack-Capacity-Waterproof-Protective/dp/B07CGJDTNGI>) (Year: 2018), 13 pgs.

Evolution Outdoor Drift Series Topless Vertical Tackle Bag, first available Mar. 2, 2021, amazon.com [online], [site visited Jun. 28, 2021], Available at internet URL: <https://www.amazon.com/Evolution-Outdoor-Topless-Vertical-Tackle/dp/B08WRVCF31?th=1> (Year: 2021).

Plano Guide Series Tackle Bag, first available Feb. 10, 2020, amazon.com [online], [site visited Jun. 28, 2021], Available at internet URL: https://www.amazon.com/Piano-Premium-Storage-included-PLABG371/dp/B084NQLFMH/ref=pd_lpo_2?pd_rd_i=B084NQLFMH&pvc=1 (Year: 2020).

International Search Report and Written Opinion dated May 19, 2017 of PCT Application No. PCT/US2016/047971, 14 pages.

* cited by examiner

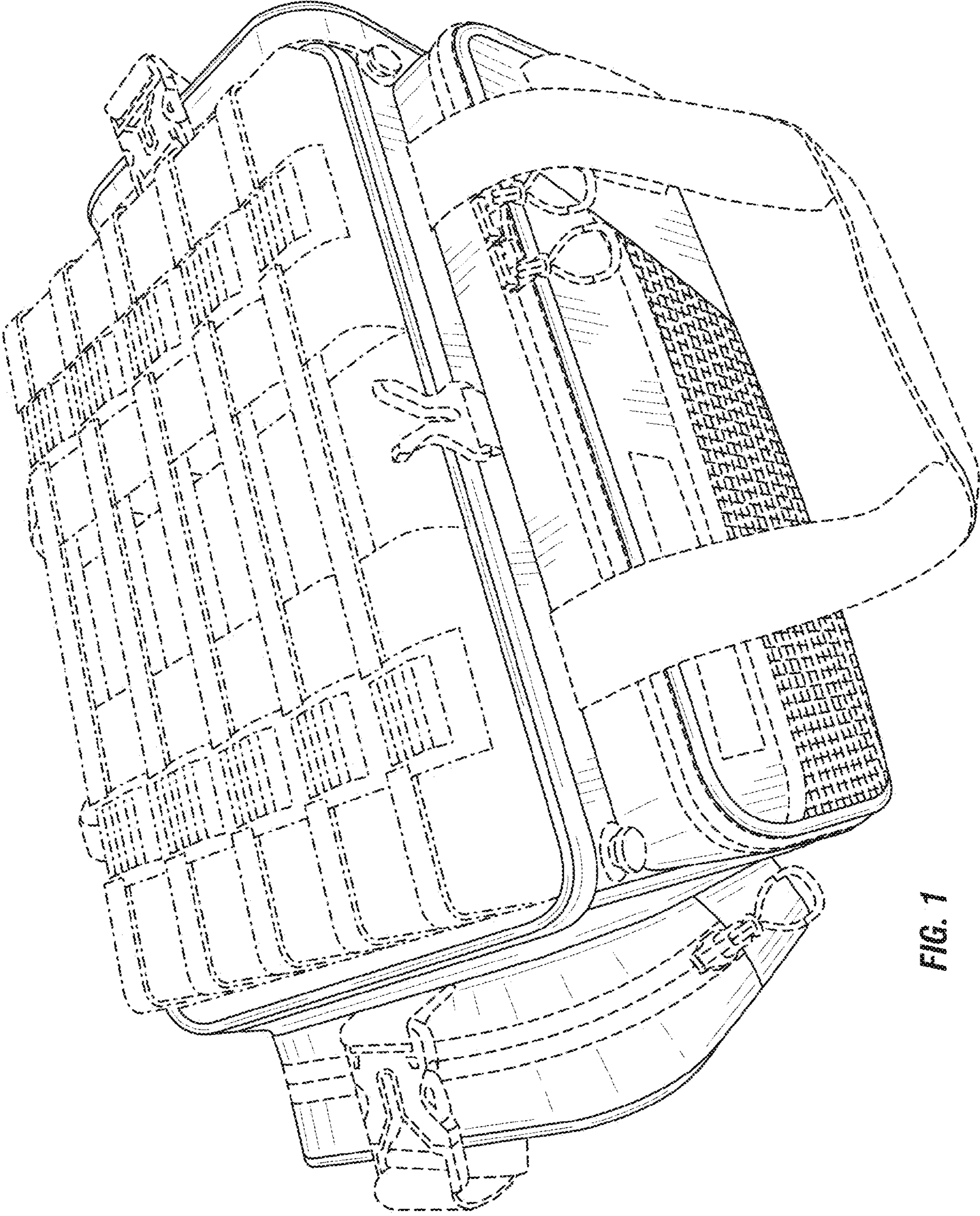


FIG. 1

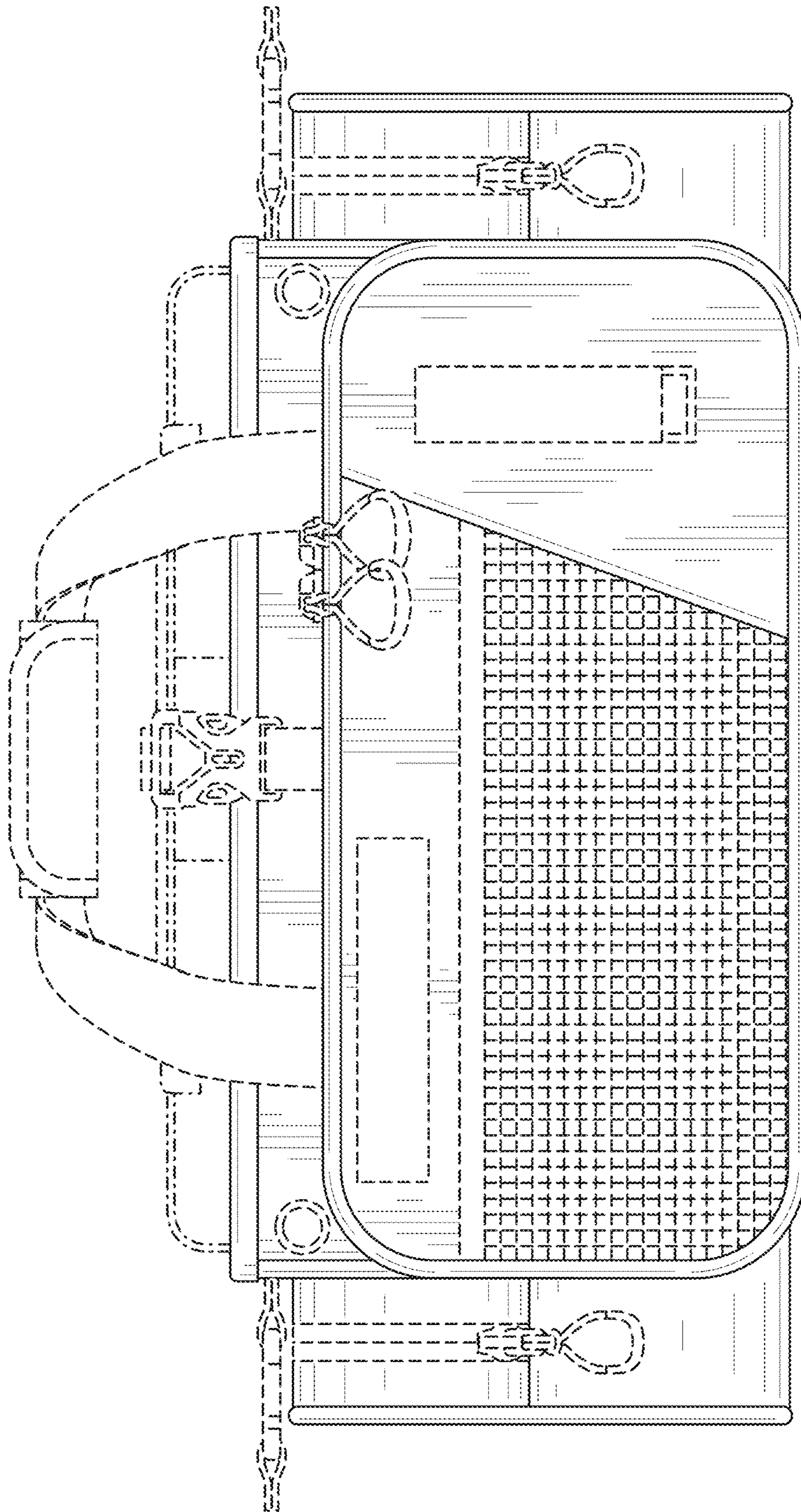


FIG. 2

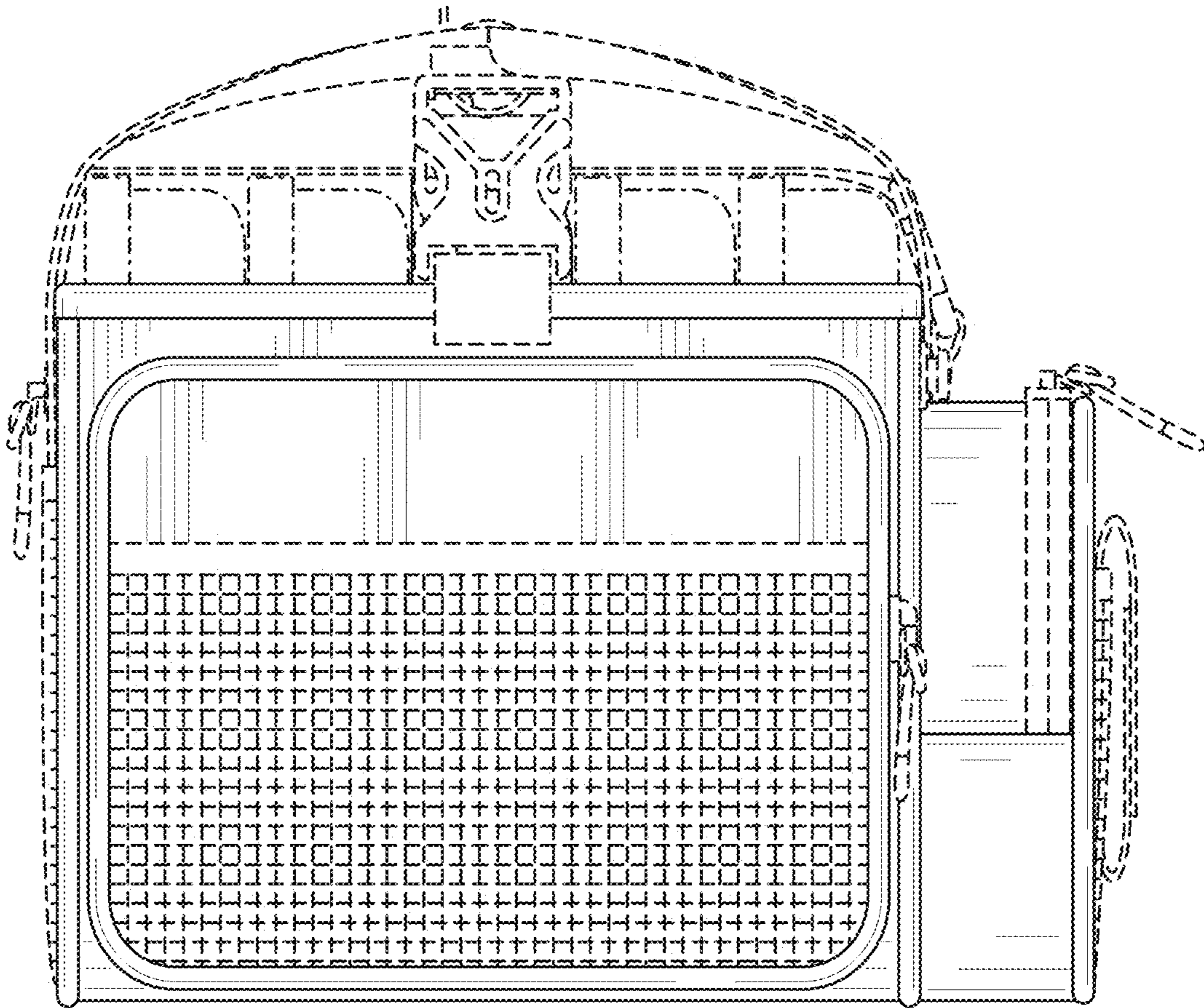


FIG. 3

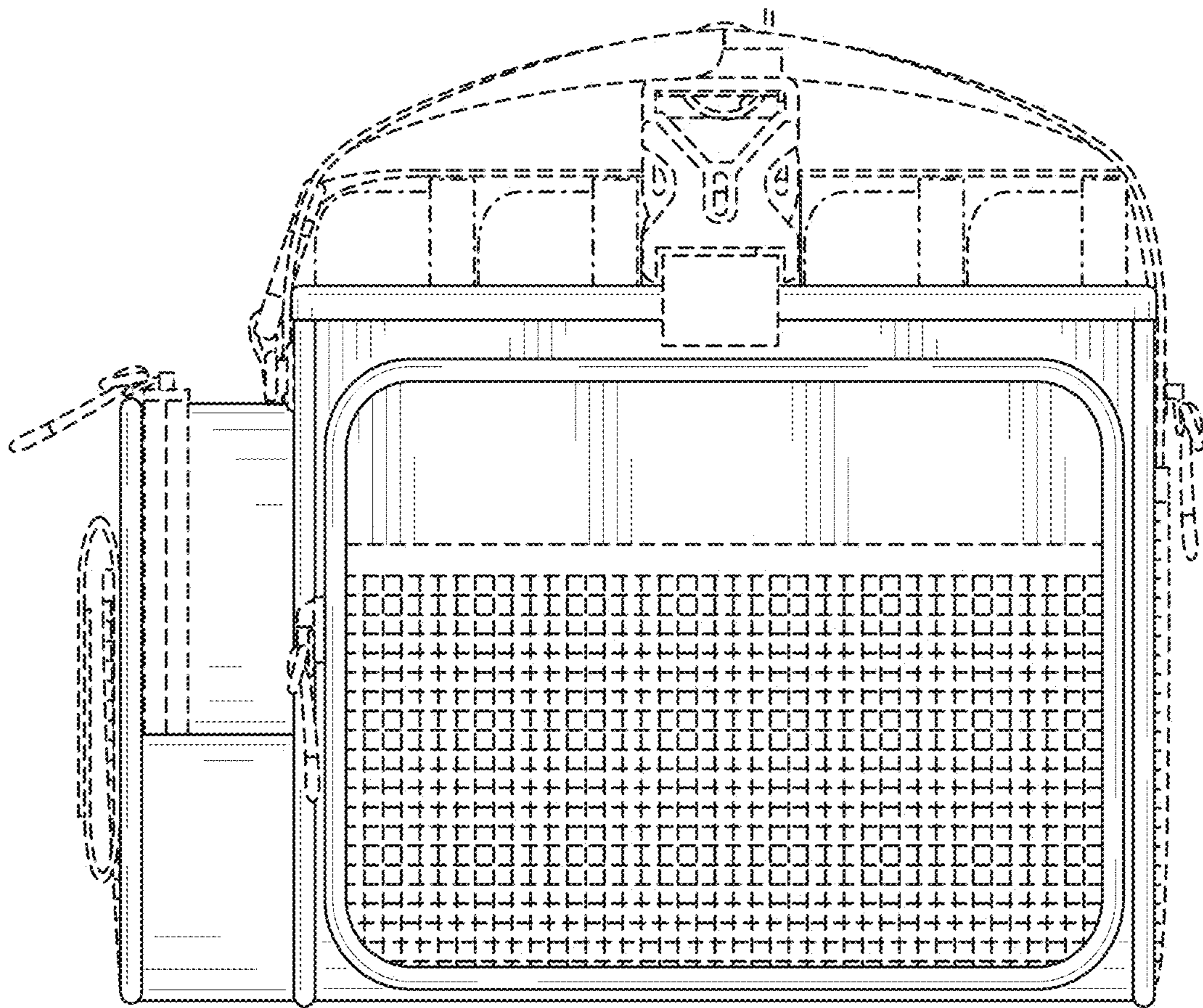


FIG. 4

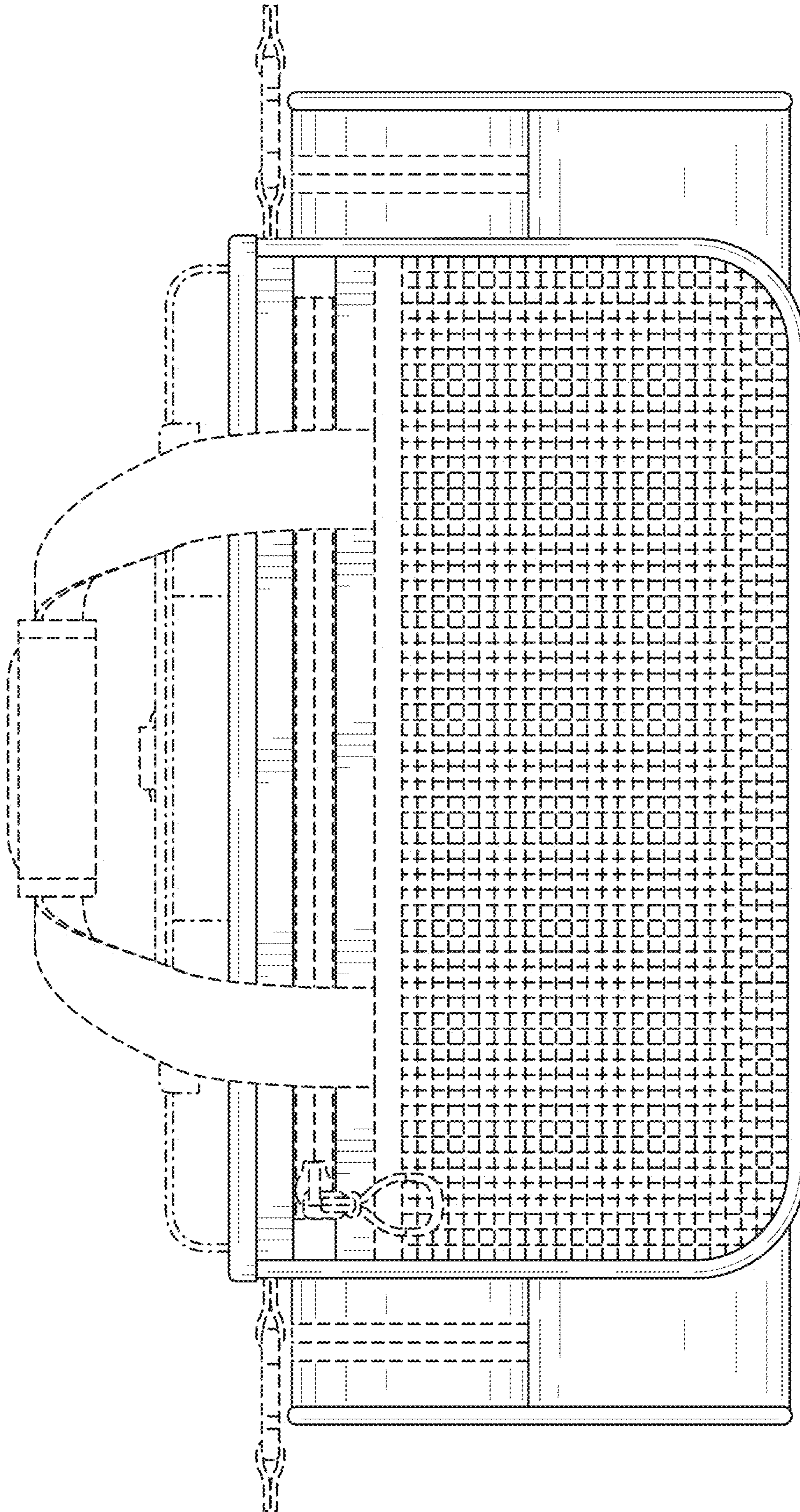


FIG. 5

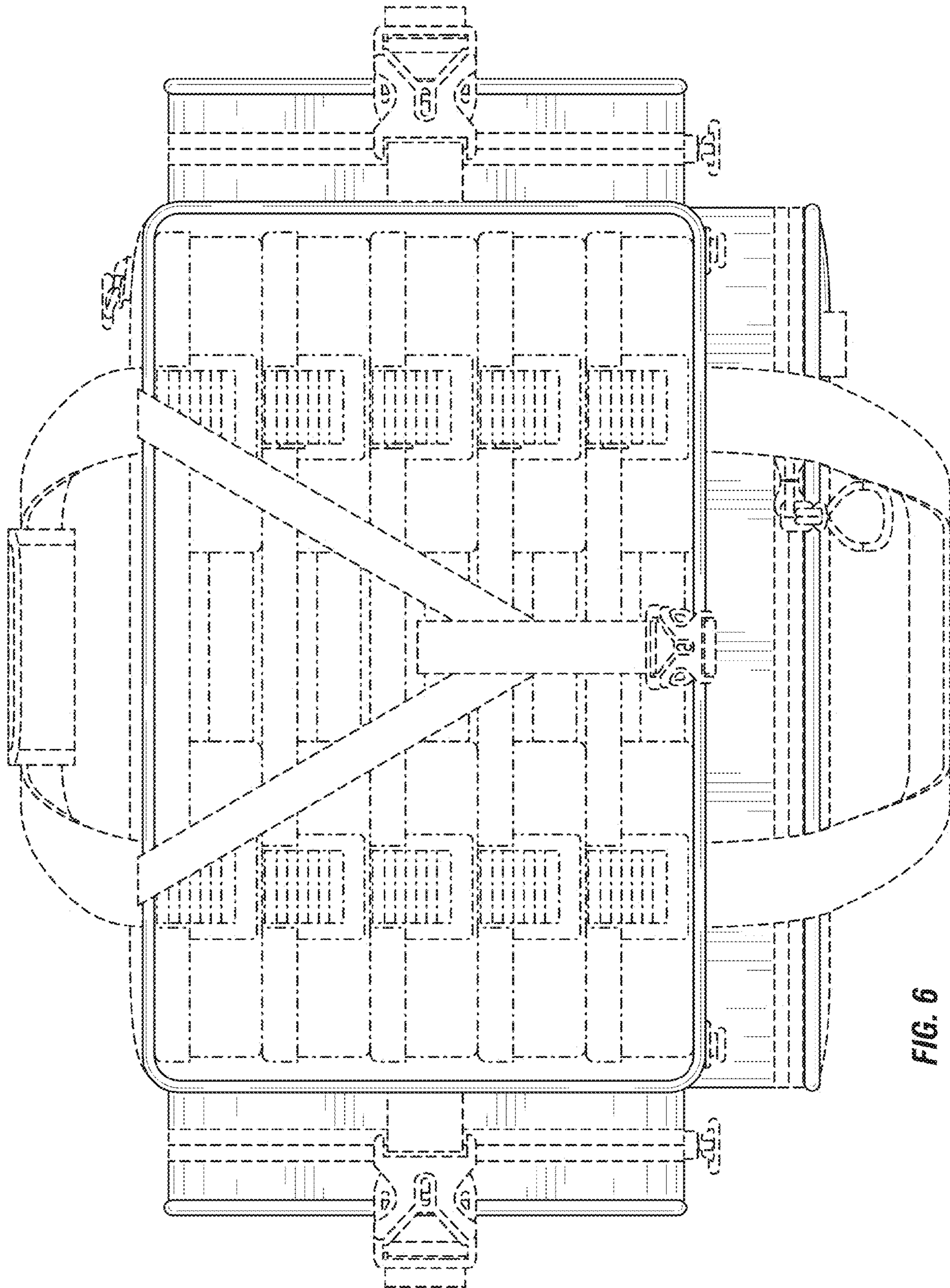


FIG. 6

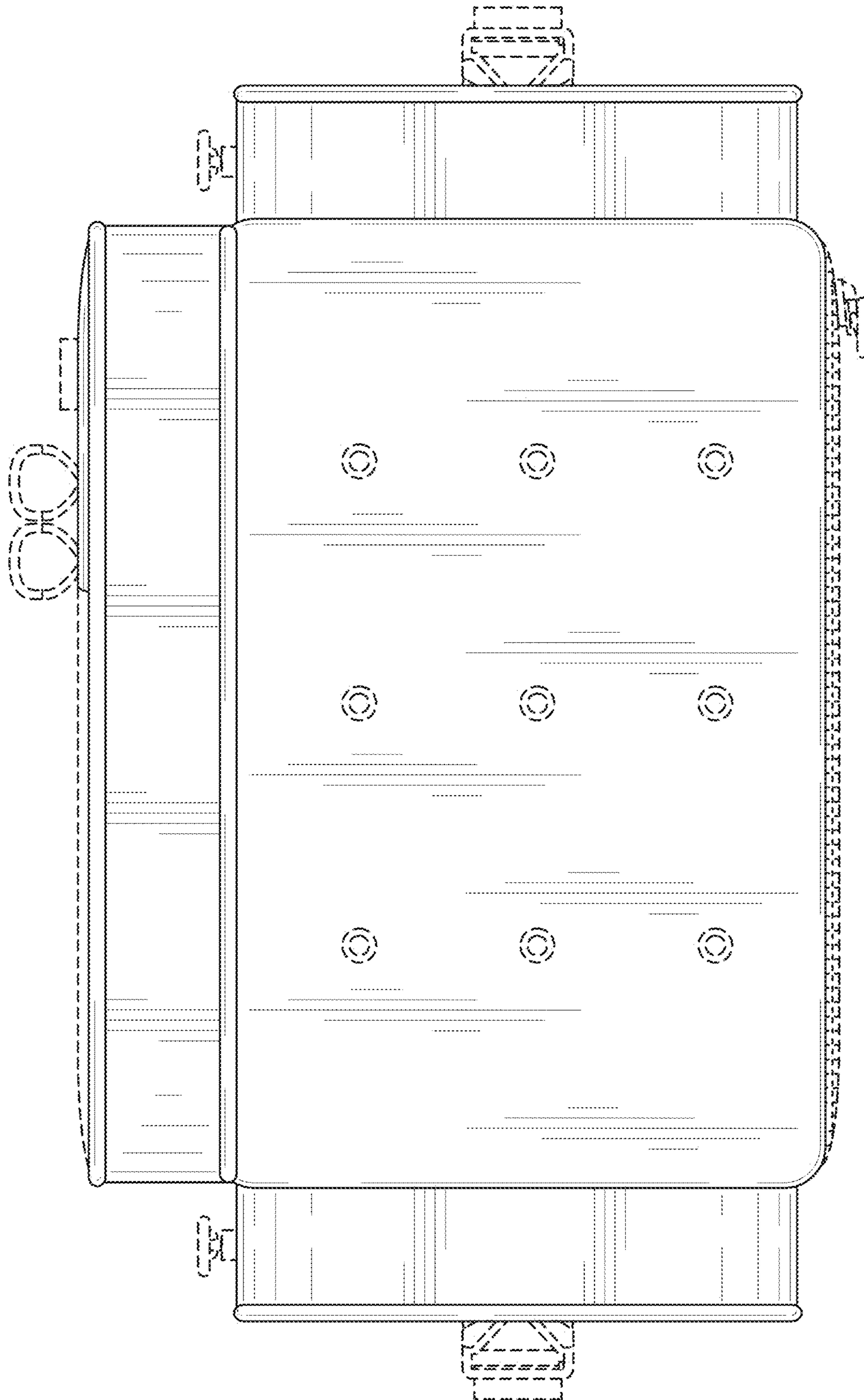


FIG. 7

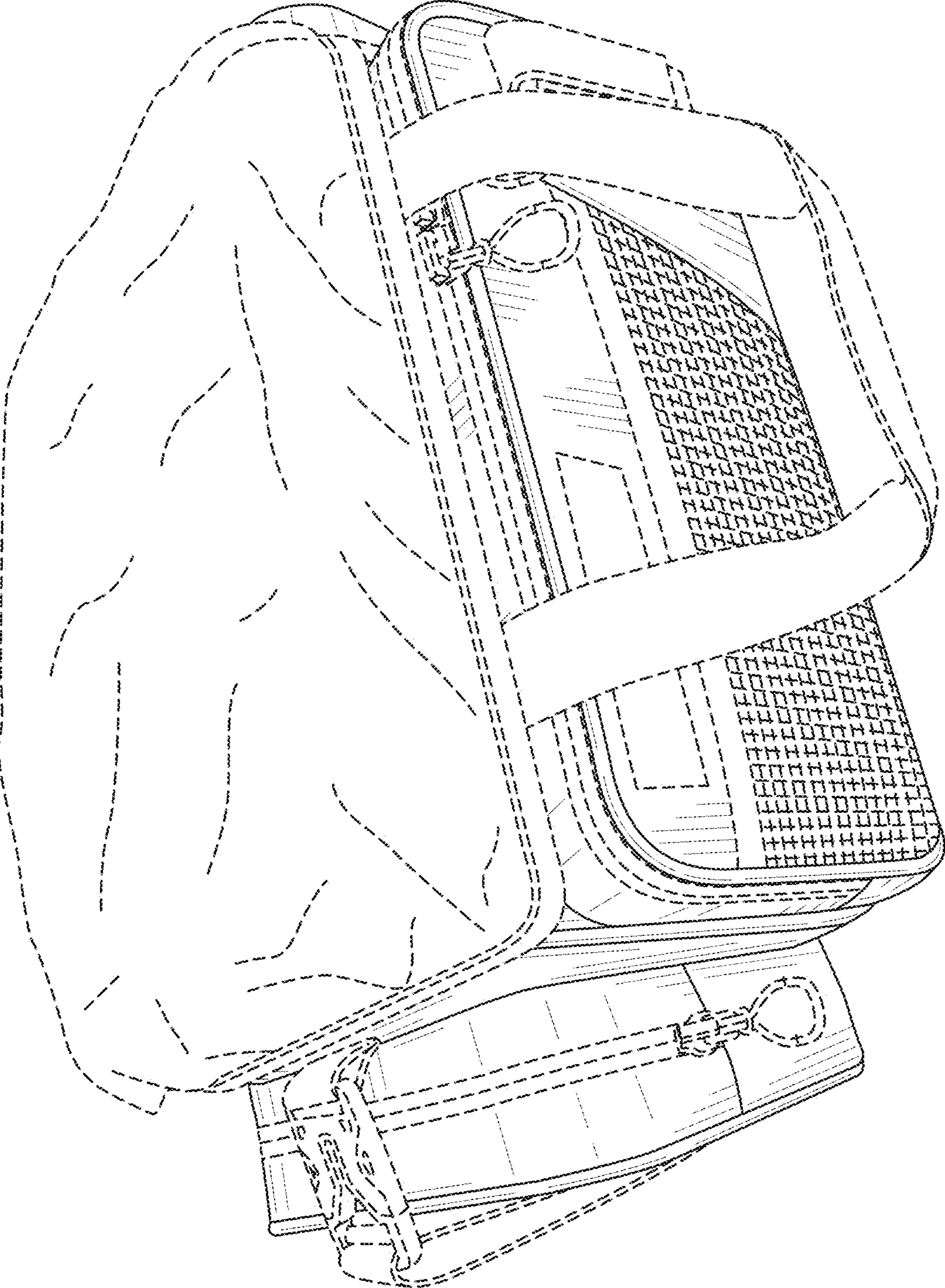


FIG. 8