



US00D941575S

(12) **United States Design Patent** (10) **Patent No.:** **US D941,575 S**
Lee (45) **Date of Patent:** **** Jan. 25, 2022**

(54) **HANDBAG**
(71) Applicant: **BOTTEGA VENETA S.R.L.**,
Montebello Vicentino (IT)
(72) Inventor: **Daniel Harry Lee**, Milan (IT)
(73) Assignee: **BOTTEGA VENETA S.R.L.**,
Montebello Vicentino (IT)

D560,353 S * 1/2008 Harvey D3/217
D581,158 S * 11/2008 Hermann D3/232
D631,653 S * 2/2011 Brown D3/232
D685,179 S * 7/2013 Hubbell D3/232
D692,656 S * 11/2013 Katoh D3/232
D751,286 S * 3/2016 Maier D3/232
D757,425 S * 5/2016 Derusha D3/232
D757,429 S * 5/2016 Spaziani D3/243
D767,880 S * 10/2016 Fricano D3/232
D804,171 S * 12/2017 Judah D3/245

(Continued)

(**) Term: **15 Years**

FOREIGN PATENT DOCUMENTS

(21) Appl. No.: **29/728,090**

WO D203644-001 * 9/2019

(22) Filed: **Mar. 16, 2020**

OTHER PUBLICATIONS

(30) **Foreign Application Priority Data**

Sep. 19, 2019 (WO) DM/203644

“Snap”, bottegaveneta.com, site visited Jun. 15, 2021: <https://www.bottegaveneta.com/en-ca/snap-buttercup-647747VCQC57116.html>
(Year: 2021).*

(Continued)

(51) **LOC (13) Cl.** **03-01**

(52) **U.S. Cl.**
USPC **D3/239**

(58) **Field of Classification Search**
USPC D3/232–233, 239, 244–246, 277, 301,
D3/303, 306
CPC A45C 13/08; A45C 3/08; A45C 13/00;
A45C 3/06
See application file for complete search history.

Primary Examiner — Jennifer L Watkins
Assistant Examiner — Samantha Lynne Brodowski
(74) *Attorney, Agent, or Firm* — Fross, Zelnick, Lehrman
& Zissu, PC; Charles T. J. Weigell, Esq.

(57) **CLAIM**

The ornamental design for a handbag, as shown and described.

(56) **References Cited**

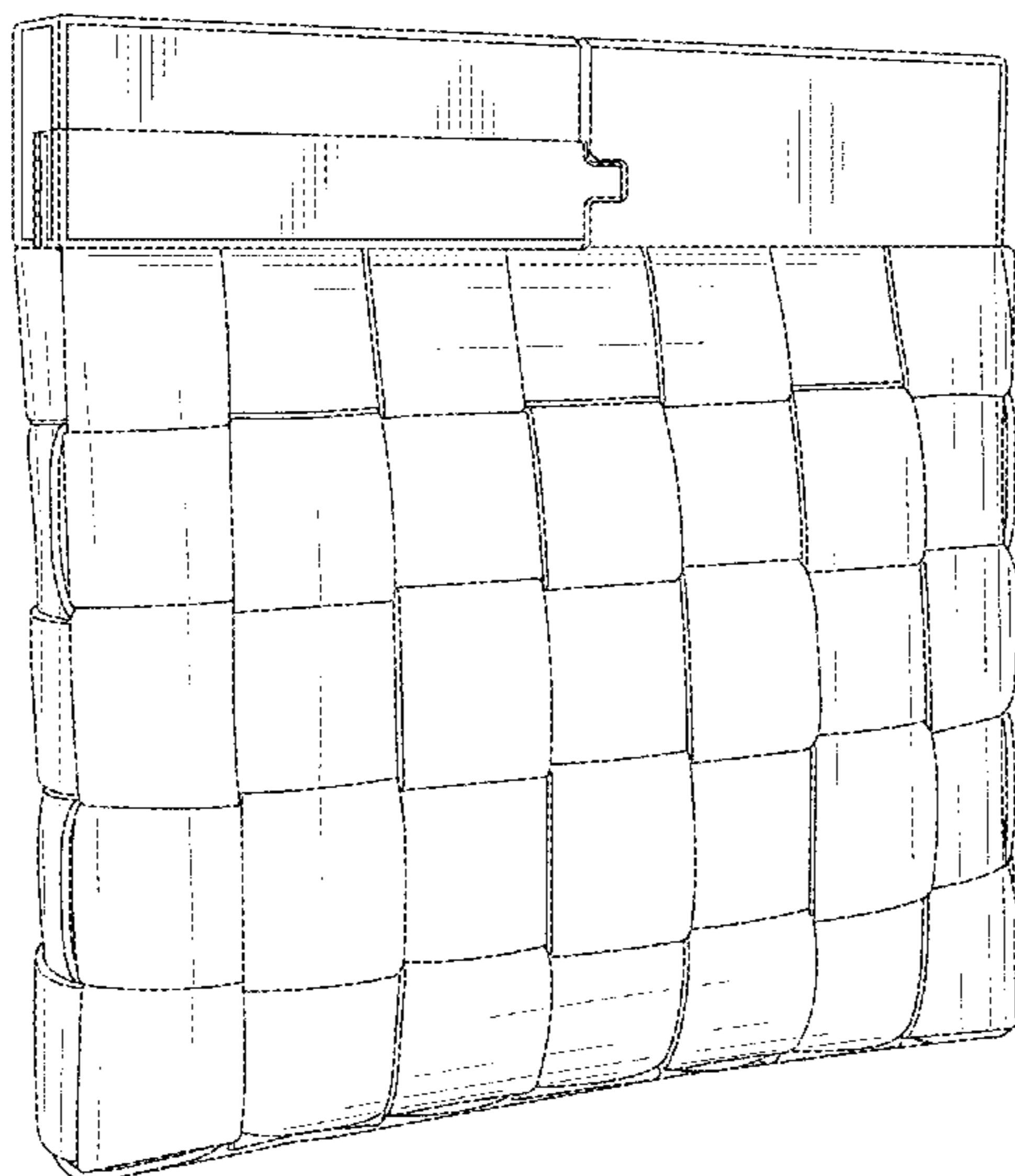
U.S. PATENT DOCUMENTS

269,802 A * 12/1882 Loeb A45C 3/06
150/129
D14,168 S * 8/1883 Lambert D3/240
D101,864 S * 11/1936 Felmann D3/245
D127,462 S * 5/1941 Lewine D3/321
2,615,563 A * 10/1952 Sundberg A45C 11/20
206/541
D496,789 S * 10/2004 Mouton D3/243
D516,316 S * 3/2006 Perella D3/277
D526,485 S * 8/2006 Harvey D3/246
D530,090 S * 10/2006 Harvey D3/289

DESCRIPTION

FIG. 1 is a perspective view of a handbag showing my new design;
FIG. 2 is a front view thereof;
FIG. 3 is a back view thereof;
FIG. 4 is a left side view thereof;
FIG. 5 is a right side view thereof;
FIG. 6 is a top view thereof; and,
FIG. 7 is a bottom view thereof.

1 Claim, 6 Drawing Sheets



(56)

References Cited

U.S. PATENT DOCUMENTS

D817,636 S * 5/2018 Maier D3/232
D855,323 S * 8/2019 Kennelly D3/299
D858,979 S * 9/2019 Dumas D3/239
D885,049 S * 5/2020 Lee D3/246
D894,595 S * 9/2020 Lee D3/243
D901,890 S * 11/2020 Lee D3/246

OTHER PUBLICATIONS

“Bottega Veneta Spring/Summer 2020 Look 4”, first available Sep. 19, 2019, crfashionbook.com, site visited Jun. 15, 2021: <https://www.crfashionbook.com/fashion/g29023213/every-look-bottega-veneta-springsummer-2020/?slide=4> (Year: 2019).*

* cited by examiner

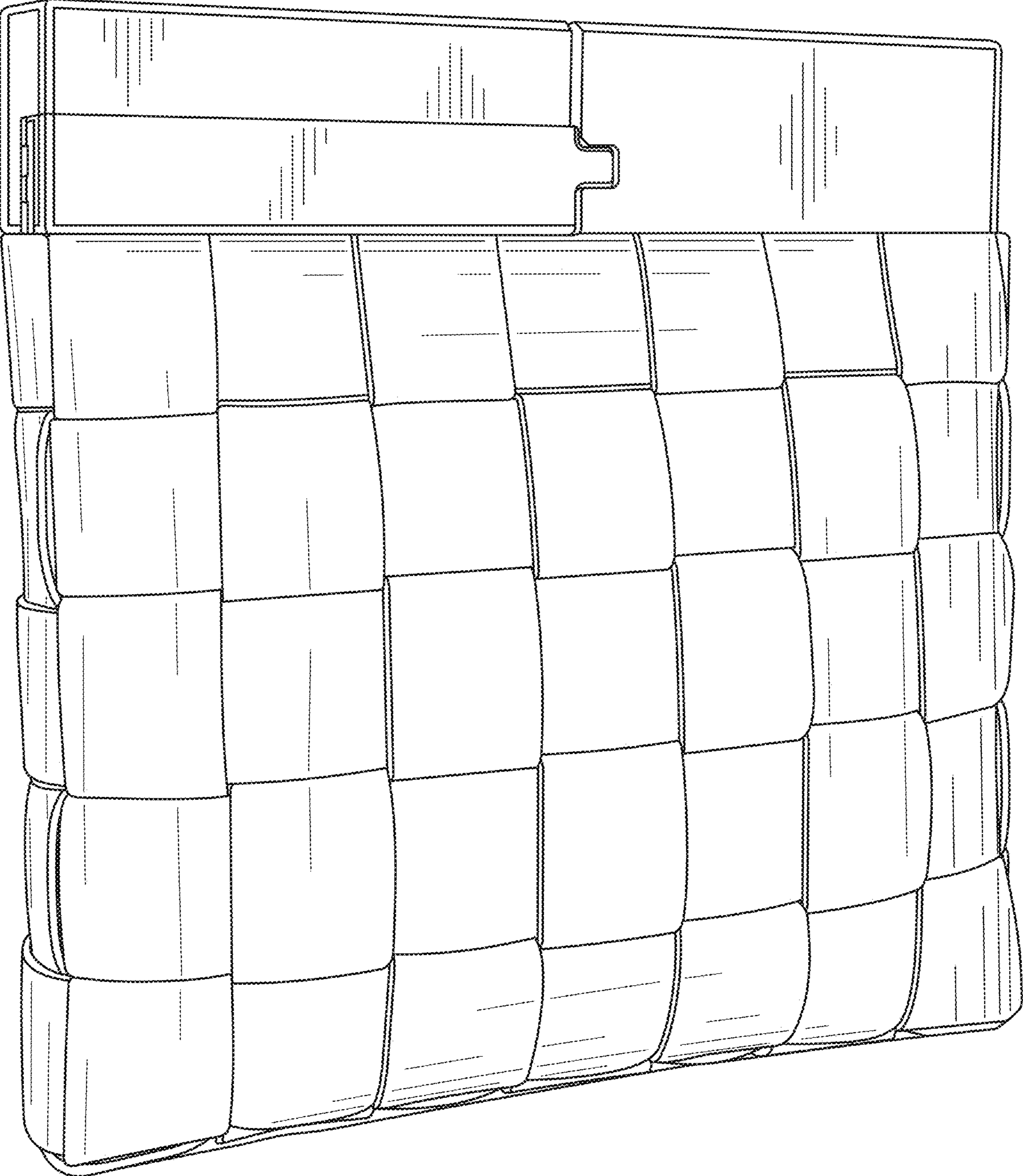


Fig. 1

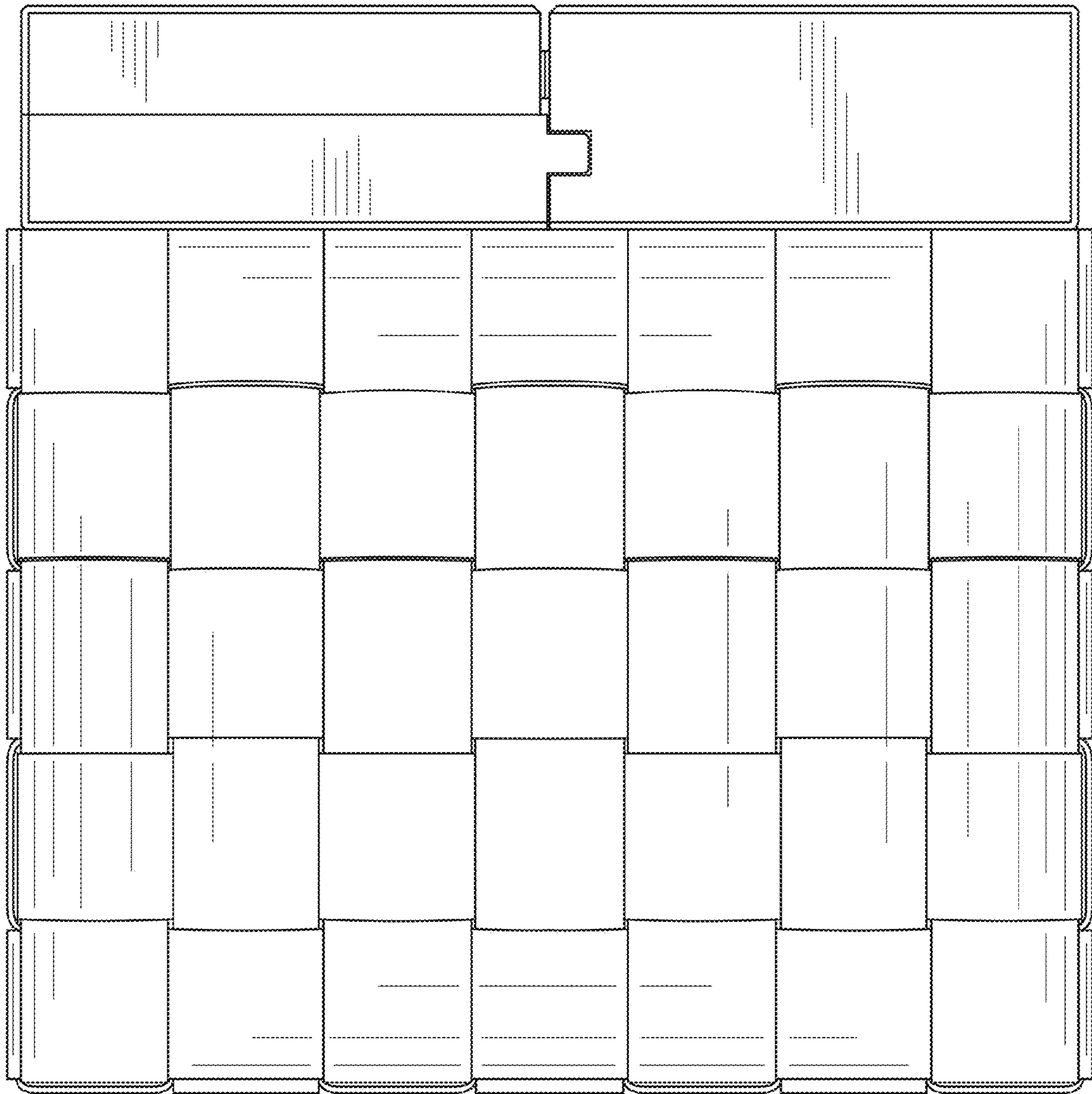


Fig. 2

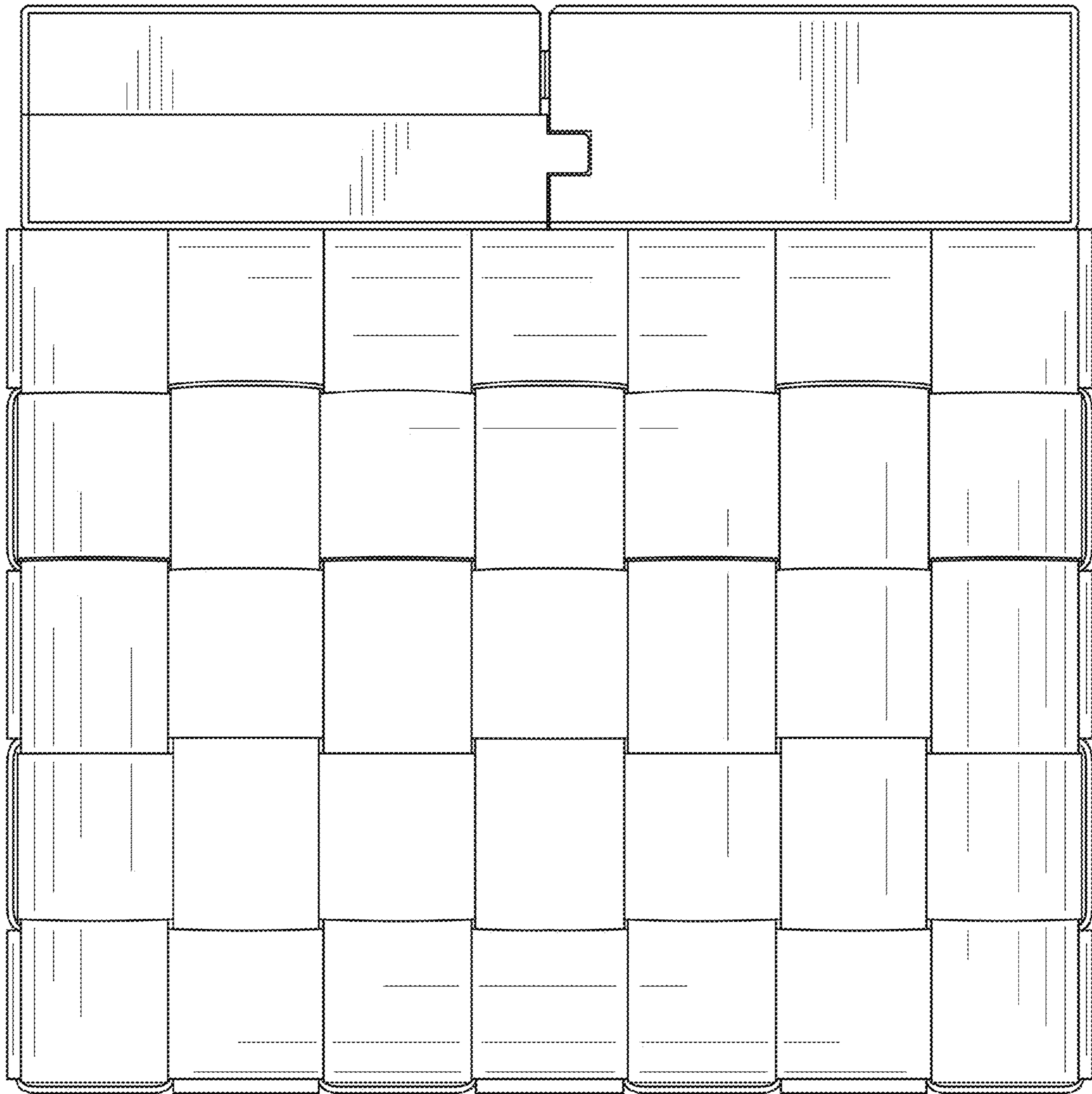


Fig. 3

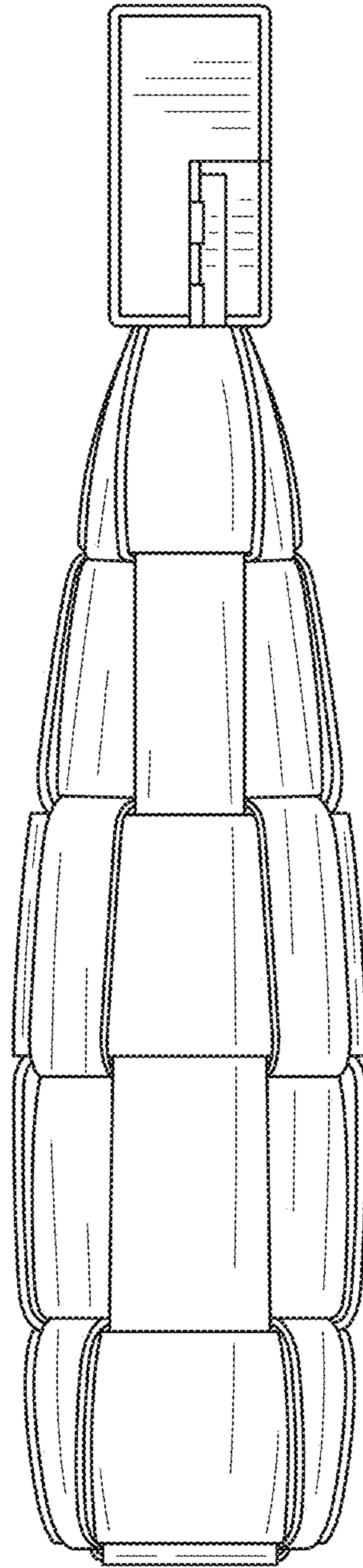


Fig. 4

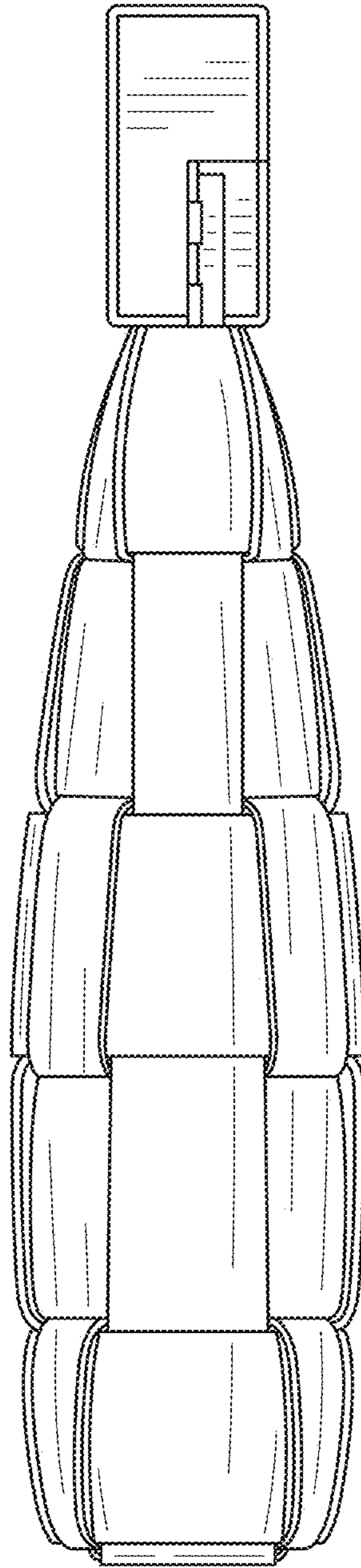


Fig. 5

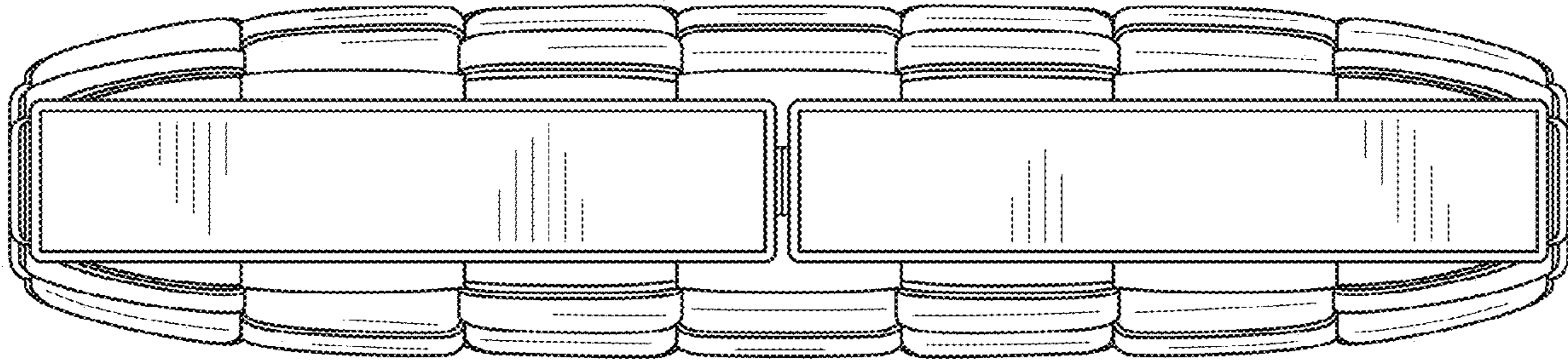


Fig. 6

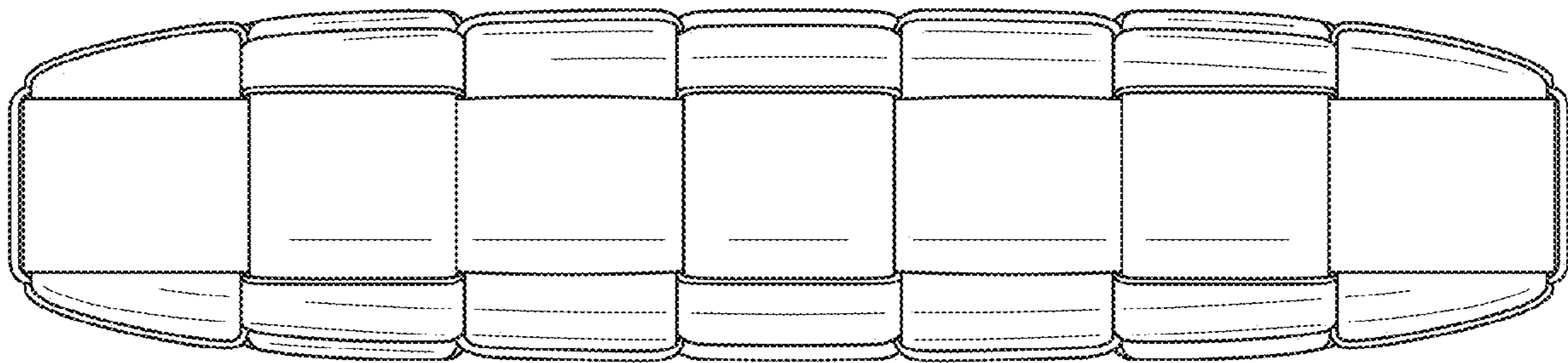


Fig. 7