



US00D941573S

(12) **United States Design Patent**
Goldstein

(10) **Patent No.:** **US D941,573 S**
(45) **Date of Patent:** **** Jan. 25, 2022**

(54) **BELLY BAND WITH A STRUCTURALLY REINFORCED HOLSTER POCKET**

FOREIGN PATENT DOCUMENTS

(71) Applicant: **Avraham Goldstein**, Flushing, NY (US)

KR 301100811.0000 * 3/2021

(72) Inventor: **Avraham Goldstein**, Flushing, NY (US)

OTHER PUBLICATIONS

(**) Term: **15 Years**

Pistol Wear PT-2 Comfortable Belly Band Holster, unknown first available date, hidinghilda.com [online], [site visited Sep. 23, 2021], Available at internet URL: <https://hidinghilda.com/products/pt-2-concealment-holster> (Year: 2021).*

(21) Appl. No.: **29/741,565**

(Continued)

(22) Filed: **Jul. 14, 2020**

Primary Examiner — Jeffrey D Asch
Assistant Examiner — Caitlin A Laverty

(51) **LOC (13) Cl.** **03-01**

(52) **U.S. Cl.**

USPC **D3/222**

(58) **Field of Classification Search**

(57) **CLAIM**

USPC D2/627, 629, 639; D3/215, 220–226, D3/228–230, 262, 269, 303–304, 318, D3/327–328; D8/71; D22/108–109, D22/117–118, 199; D19/75, 77, 81, D19/84–85, 102, 107; D24/190, 200, 206
CPC F41C 33/001; F41C 33/002; F41C 33/003; F41C 33/01; F41C 33/0209; F41C 33/0227; F41C 33/0236; F41C 33/0254; F41C 33/0263; F41C 33/041; F41C 33/043; F41C 33/045; F41C 33/046; F41C 33/048; F41C 33/06; A45F 3/005; A45F 3/02; A45F 3/06; A45F 3/14; A45F 2003/001; A45F 2003/006; A45F 2003/007; A45F 2003/045; A45F 2003/047; A45F 2003/148; A45F 5/00; A45F 5/02; A45F 5/021; A45F 2005/025; A45F 2200/025; A45F 2200/05; A45F 2200/0525; A45F 2200/0508; A45F 2200/0516; A45F 2200/0575; A45F

I claim the ornamental design for a belly band with a structurally reinforced holster pocket, as shown and described.

(Continued)

DESCRIPTION

FIG. 1 is a perspective view of the belly band of my claimed design, in an in-use configuration with a gun and gun holster within the pocket;
FIG. 2 is a front view of the belly band of FIG. 1, in a flattened condition with the gun and gun holster removed;
FIG. 3 is a back view of the belly band of FIG. 1;
FIG. 4 is a left side view of the belly band of FIG. 1;
FIG. 5 is a right side view of the belly band of FIG. 1;
FIG. 6 is a top view of the belly band of FIG. 1; and,
FIG. 7 is a bottom view of the belly band of FIG. 1.
The broken lines in FIG. 1 showing a gun and gun holster illustrate environmental structures and form no part of the claimed design.

(56) **References Cited**

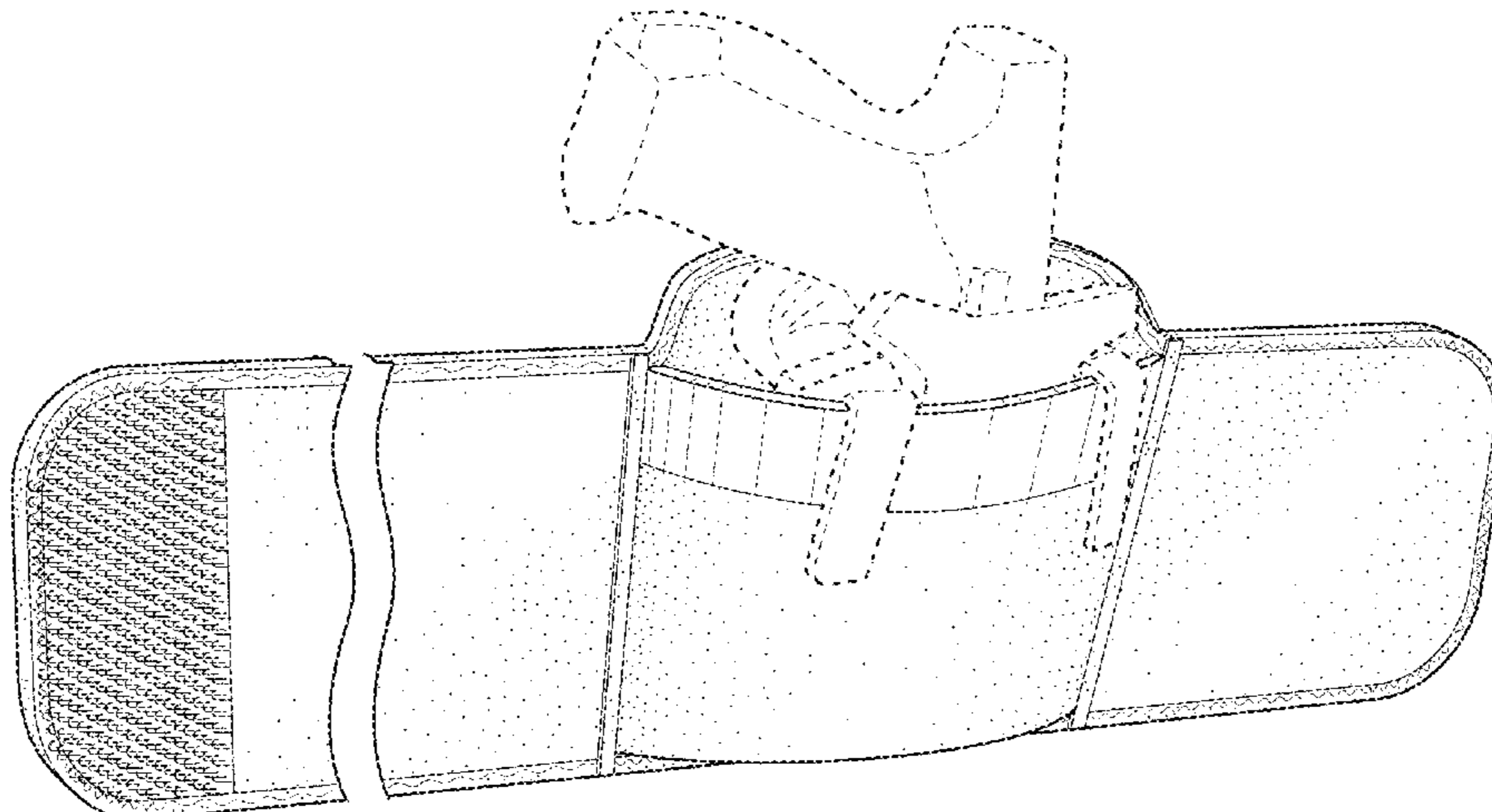
U.S. PATENT DOCUMENTS

D361,656 S * 8/1995 Fogarty, Jr. D3/222
D374,983 S * 10/1996 Brucki D3/226

The belly band with a structurally reinforced holster pocket is shown with a symbolic break in its length. The appearance of any portion of the article between the break lines forms no part of the claimed design.

(Continued)

1 Claim, 3 Drawing Sheets



(58) **Field of Classification Search**

CPC .. 2200/0591; A45C 11/04; A41F 11/00; A41F
11/16; Y10S 224/911

See application file for complete search history.

(56) **References Cited**

U.S. PATENT DOCUMENTS

D375,186	S	*	11/1996	Kim	D13/183
D451,605	S	*	12/2001	Snider	D24/190
D660,439	S	*	5/2012	Chen	D24/190
D761,553	S	*	7/2016	Scott	D3/222
D789,547	S	*	6/2017	Matfus	D24/190
D830,688	S	*	10/2018	Casilio	D3/226
10,154,725	B2	*	12/2018	Lavin	A45F 5/00
D889,832	S	*	7/2020	Fridley	D3/303
D914,890	S	*	3/2021	Langberg	D24/190
D918,530	S	*	5/2021	Zimmer	D2/627
D931,388	S	*	9/2021	Tanner	D21/662
2016/0265875	A1	*	9/2016	Malcolm	F41C 33/048

OTHER PUBLICATIONS

Hidden Neoprene Ultimate Belly Band Holster with Zipper Pocket, unknown first available date, alibaba.com [online], [site visited Sep. 23, 2021], Available at internet URL: https://www.alibaba.com/product-detail/Hidden-Neoprene-Ultimate-Belly-Band-Holster_60760468856.html (Year: 2021).*

Kaylle Belly Band Holster for Concealed Carry (Upgraded), first available Jul. 27, 2017, amazon.com [online], [site visited Sep. 23, 2021], Available at internet URL: <https://www.amazon.com/KAYLLE-Belly-Holster-Concealed-Upgraded/dp/B071GB8899> (Year: 2017).*

* cited by examiner

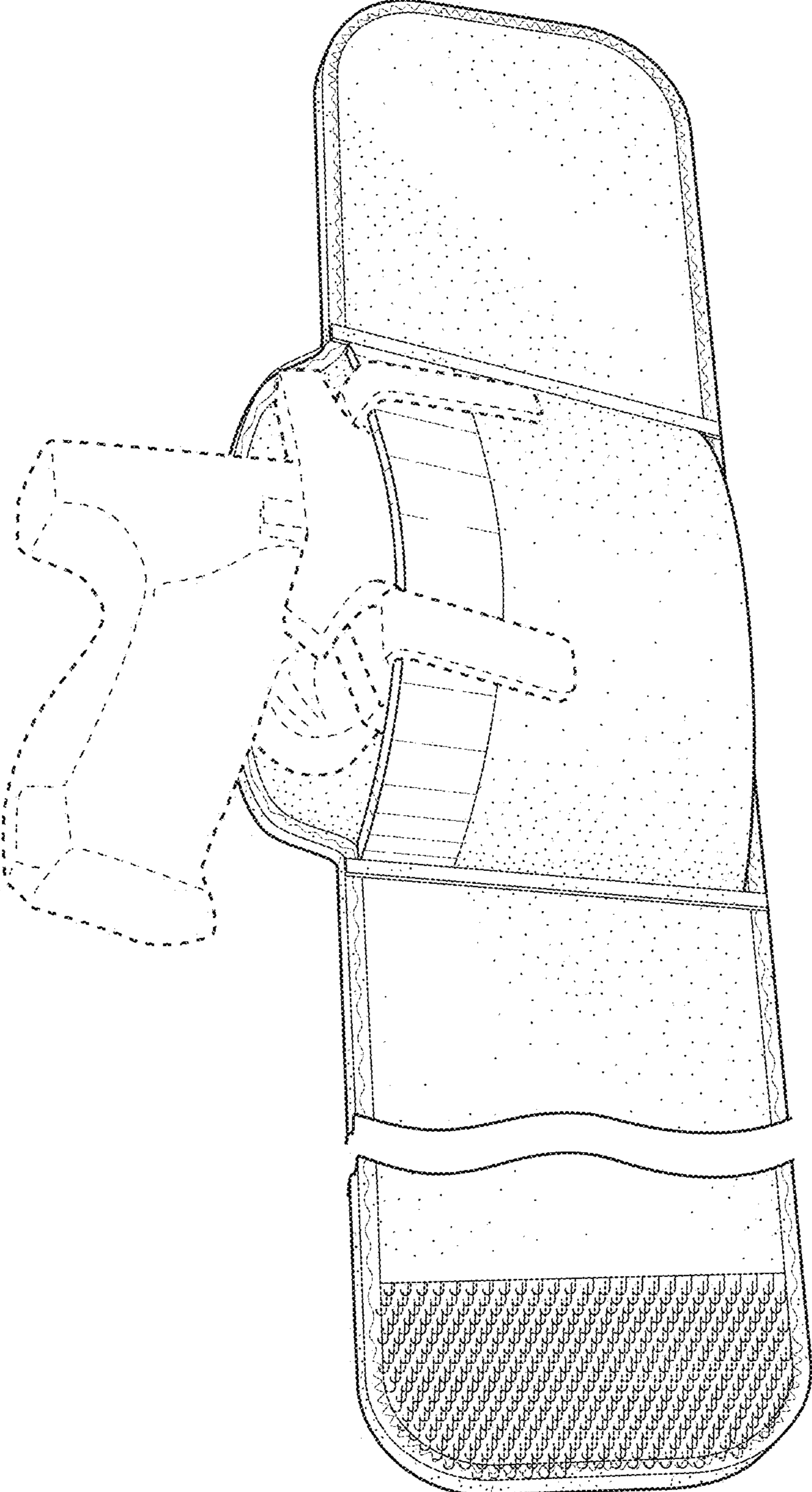


FIG. 1

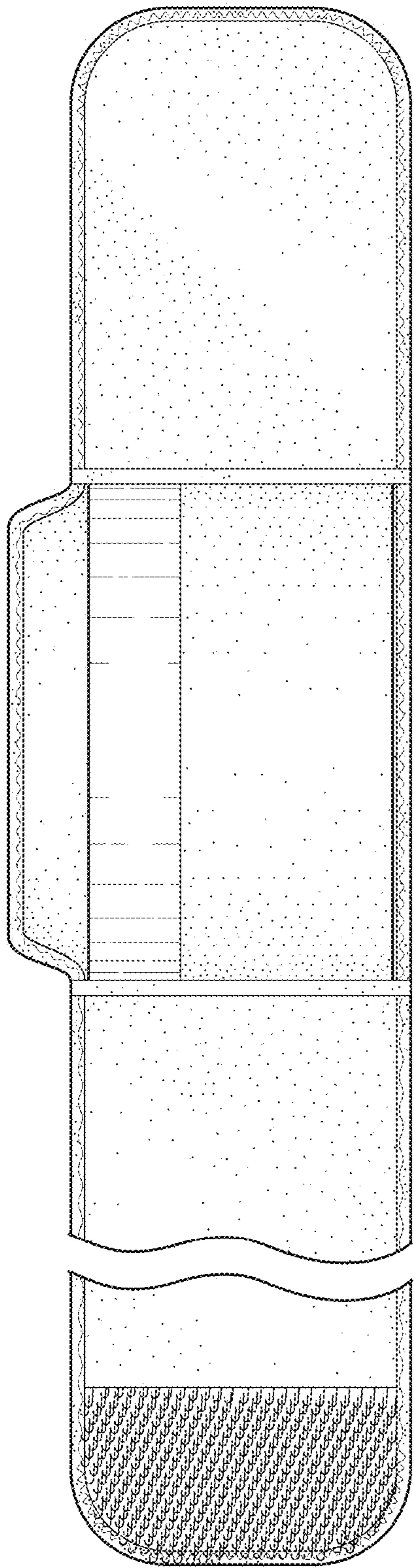


FIG. 2

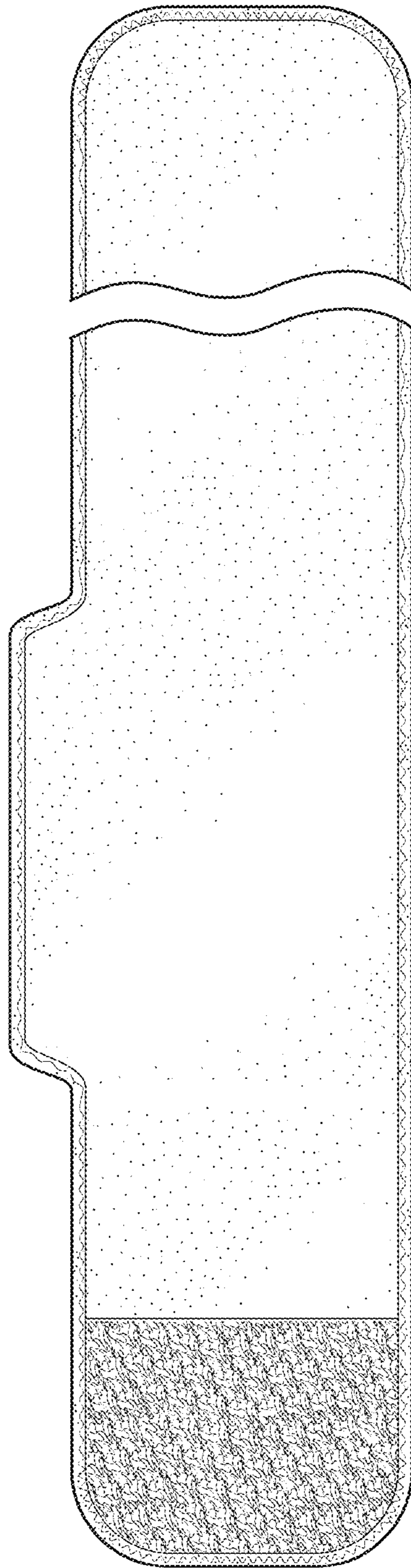


FIG. 3



FIG. 4

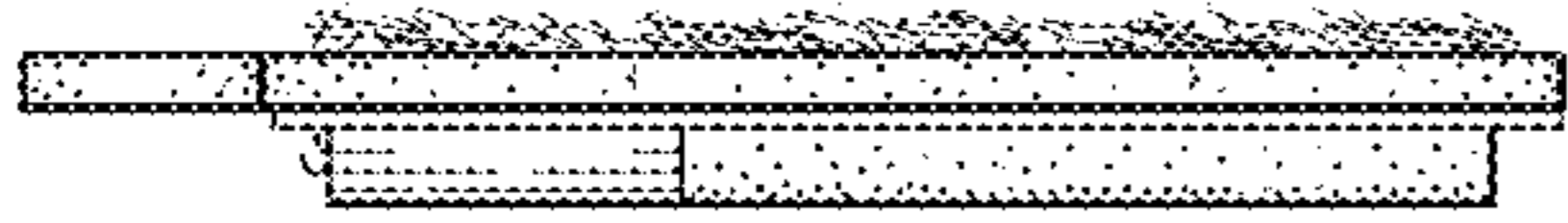


FIG. 5

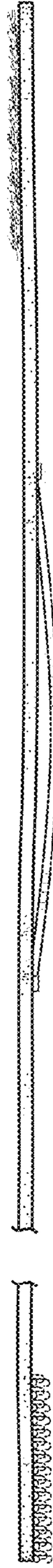


FIG. 6

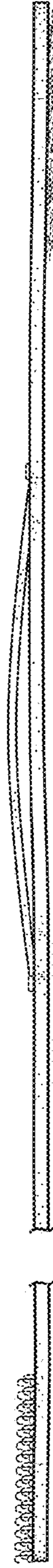


FIG. 7