



US00D941572S

(12) **United States Design Patent** (10) **Patent No.:** **US D941,572 S**
Chiu et al. (45) **Date of Patent:** **** Jan. 25, 2022**

(54) **BACKPACK INTERIOR PANEL**

(71) Applicant: **10741841 CANADA INC**, Toronto (CA)
(72) Inventors: **Keith Chiu**, Markham (CA); **Philip Lee**, Toronto (CA)
(73) Assignee: **10741841 Canada Inc.**, Toronto (CA)
(**) Term: **15 Years**

(21) Appl. No.: **29/750,741**

(22) Filed: **Sep. 16, 2020**

(51) **LOC (13) Cl.** **03-01**

(52) **U.S. Cl.**
USPC **D3/217; D3/319**

(58) **Field of Classification Search**
USPC D3/216, 217, 318, 319, 303, 313, 226, D3/301
CPC .. A45C 3/08; A45C 3/06; A45C 13/08; A45C 13/02; A45C 7/0086; A45C 3/00; A45C 13/26; A45F 3/04; A45F 3/02
See application file for complete search history.

(56) **References Cited**

U.S. PATENT DOCUMENTS

| | | | | |
|--------------|---------|-------------|-------|---------|
| D182,212 S * | 2/1958 | Weiner | | D3/319 |
| D306,520 S * | 3/1990 | McCarthy | | D12/133 |
| D411,352 S * | 6/1999 | Golenz | | D3/301 |
| D447,342 S * | 9/2001 | Guy | | D3/301 |
| D559,018 S * | 1/2008 | Peoples | | D3/303 |
| D560,361 S * | 1/2008 | Huang | | D3/301 |
| D644,027 S * | 8/2011 | Sabounjian | | D3/313 |
| D656,317 S * | 3/2012 | Baas | | D3/303 |
| D658,879 S * | 5/2012 | Sgambellone | | D3/303 |
| D664,357 S * | 7/2012 | Kinsky | | D3/315 |
| D706,539 S * | 6/2014 | Hondos | | D3/303 |
| D712,144 S * | 9/2014 | Albanese | | D3/301 |
| D732,294 S * | 6/2015 | Hu | | D3/319 |
| D754,970 S * | 5/2016 | Barlier | | D3/301 |
| D800,452 S * | 10/2017 | Rosenbluth | | D3/301 |

(Continued)

OTHER PUBLICATIONS

Legit Chef Sac Knife Backpack Set on YouTube Feb. 26, 2021. viewed Jul. 16, 2021. Available at URL: <https://www.youtube.com/watch?v=iJ8lq3CAJwY>.*

(Continued)

Primary Examiner — Jennifer L Watkins
(74) *Attorney, Agent, or Firm* — Tatonetti IP

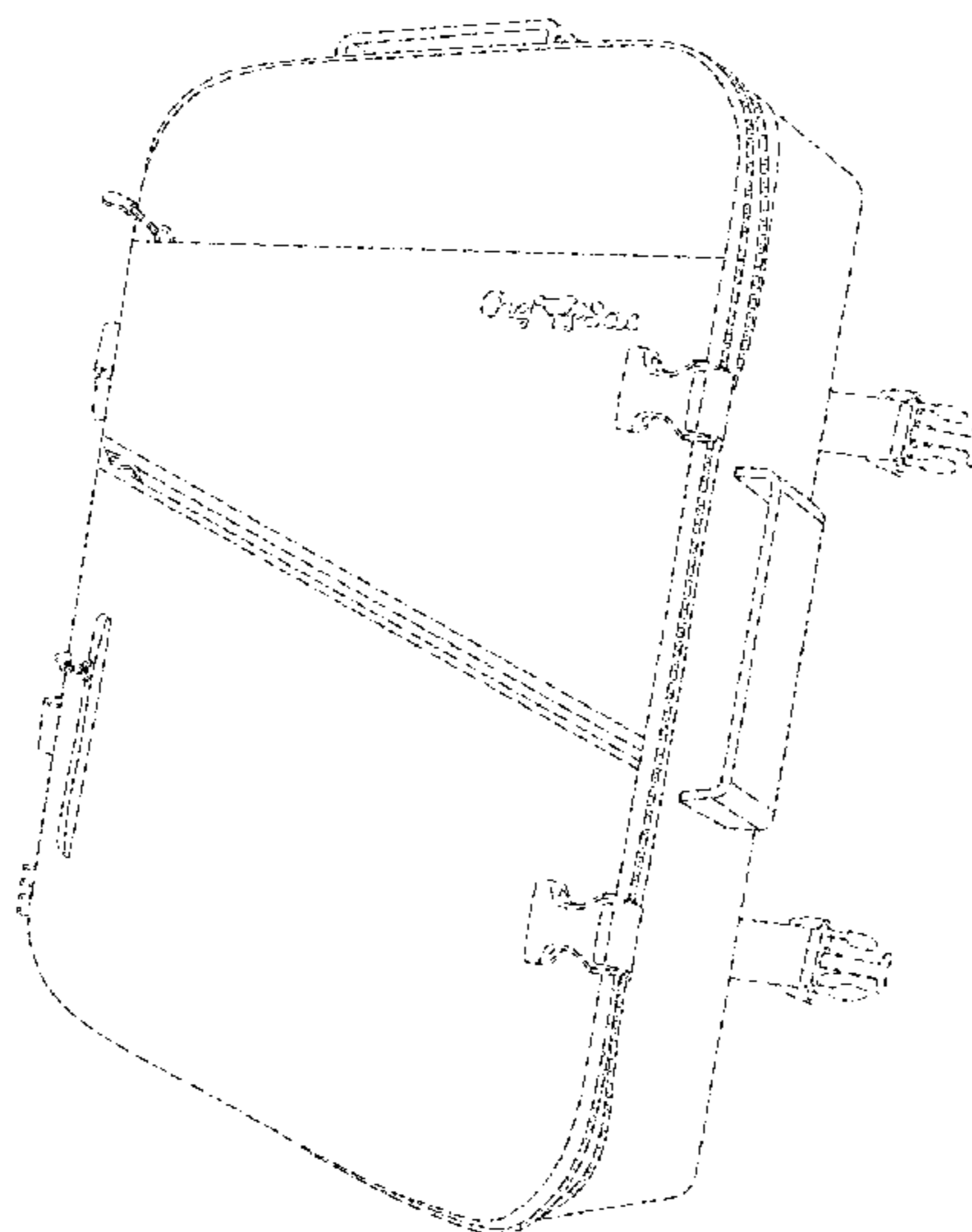
(57) **CLAIM**

The ornamental design for a backpack interior panel, as shown and described.

DESCRIPTION

FIG. 1 is a front perspective view of a backpack interior panel in a closed position, showing our new design; FIG. 2 is a perspective view thereof in an open position with a vertical flap flipped upward; FIG. 3 is a front elevation view thereof; FIG. 4 is a rear elevation view thereof; FIG. 5 is a right side elevation view thereof; FIG. 6 is a left side elevation view thereof; FIG. 7 is a top plan view thereof; FIG. 8 is a bottom plan view thereof; and FIG. 9 is a perspective view of an alternate configuration thereof with the interior panel in an open position; FIG. 10 is a perspective view showing the reverse side of the interior panel in an open configuration; and, FIG. 11 is a perspective view thereof showing an alternate configuration. Broken lines, such as those representing other internal features and the outer portion of the backpack, show portions that form no part of the claimed design. The broken lines on claimed surfaces depict claimed stitching. All other broken lines depict environment and form no part of the claimed design.

1 Claim, 10 Drawing Sheets



(56)

References Cited

U.S. PATENT DOCUMENTS

| | | | | | | |
|--------------|----|---|--------|------------|-------|------------------------|
| D822,996 | S | * | 7/2018 | Ehara | | D3/301 |
| D838,986 | S | * | 1/2019 | Kutting | | D3/319 |
| D893,861 | S | * | 8/2020 | Dyk | | D3/217 |
| D893,862 | S | * | 8/2020 | Dyk | | D3/217 |
| D894,602 | S | * | 9/2020 | Dyk | | D3/301 |
| D920,672 | S | * | 6/2021 | Diorio | | D3/303 |
| 2011/0147428 | A1 | * | 6/2011 | Crawford | | A45C 11/24 224/584 |
| 2014/0283631 | A1 | * | 9/2014 | Guirlinger | | A45F 5/021 73/865.8 |

OTHER PUBLICATIONS

<https://www.amazon.com/Backpack-Overnight-Travel-Daypack-Bookbag/dp/B078M2S873/>”, accessed Dec. 10, 2020.

<https://www.tilitnyc.com/collections/bags/products/the-chef-backpack?variant=11056834244>”, accessed Dec. 10, 2020.

<https://www.messermeister.com/collections/knife-luggage/products/18-pocket-chefs-case>”, accessed Mar. 30, 2021.

https://www.delphileather.com/index.php?route=product/product&product_id=308”, accessed Dec. 10, 2020.

<https://www.messermeister.com/products/chef-backpack>”, accessed Dec. 10, 2020.

<https://www.webrestaurantstore.com/mercerculinary-m30600m-knife-pack-plus-backpack-and-knife-case/470M30600M.html>”, accessed Dec. 10, 2020.

* cited by examiner

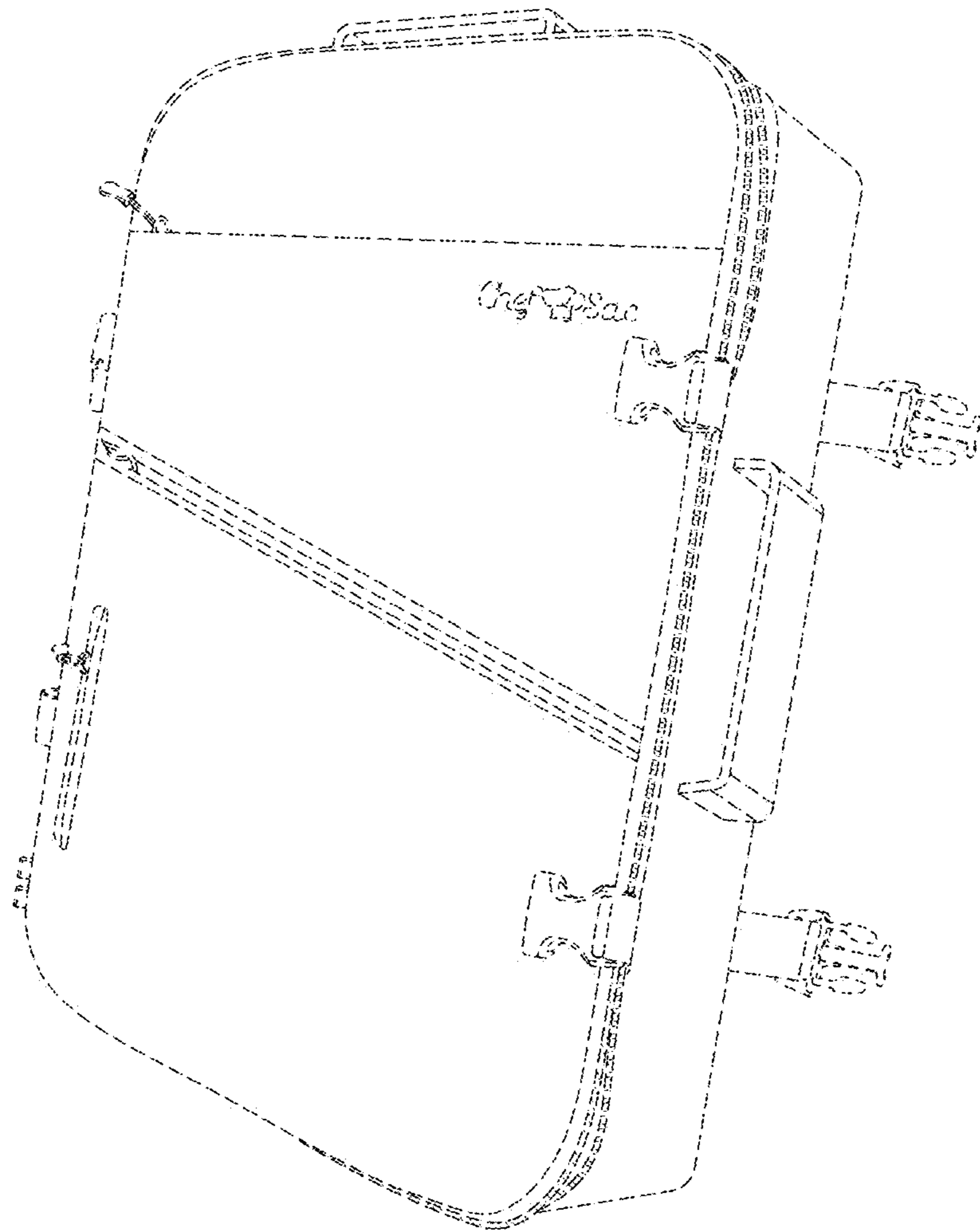


FIG. 1

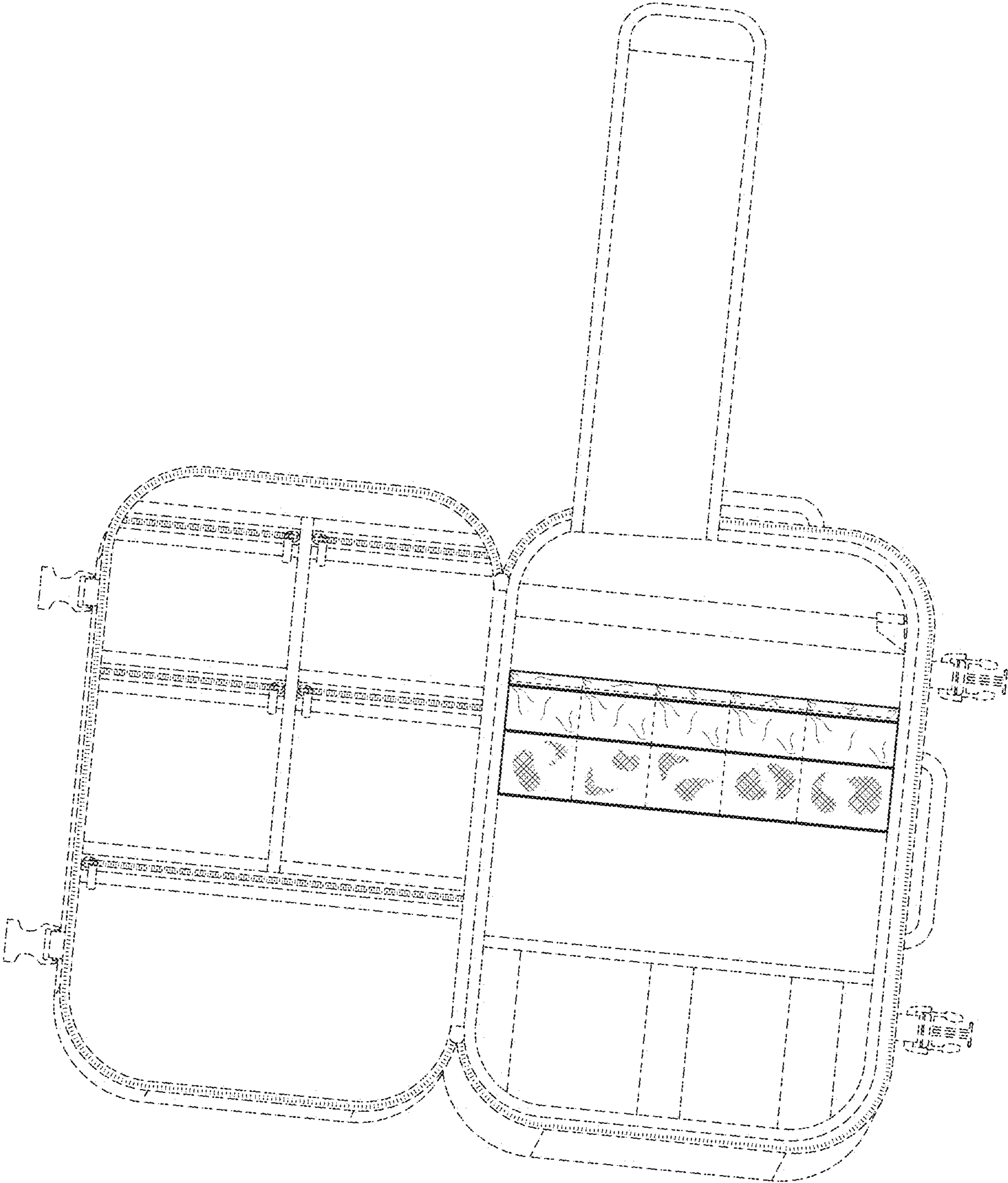


FIG. 2

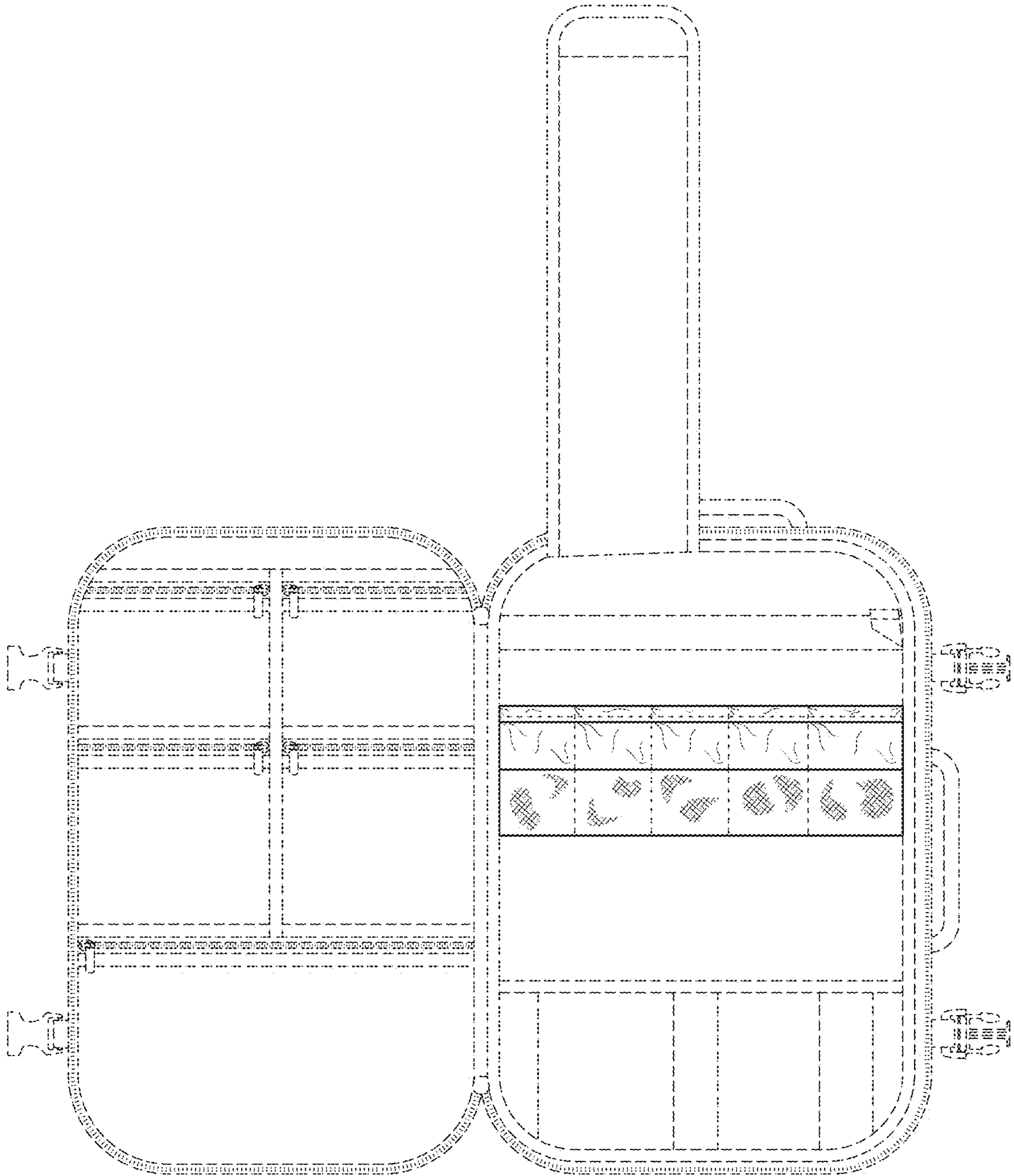


FIG. 3

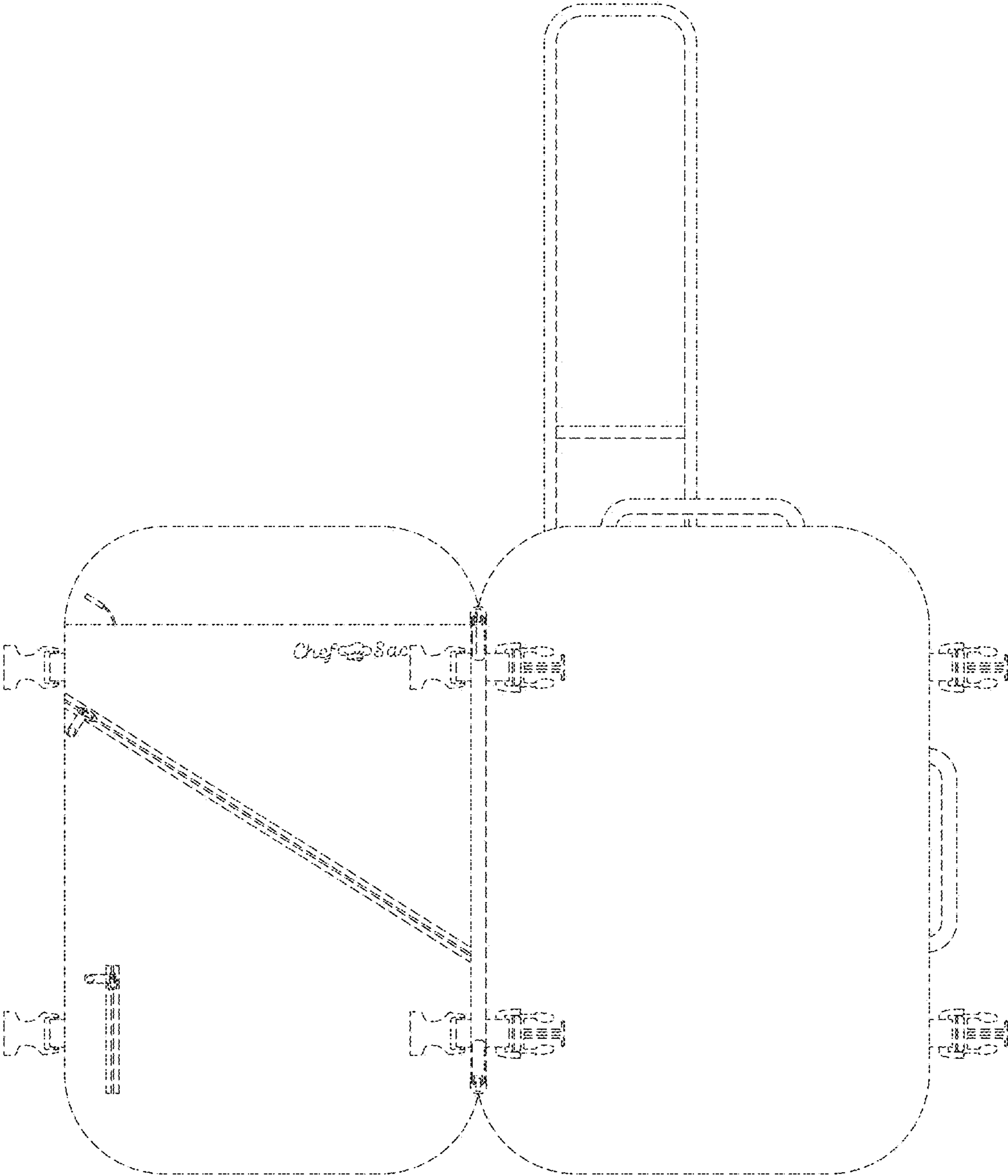


FIG. 4

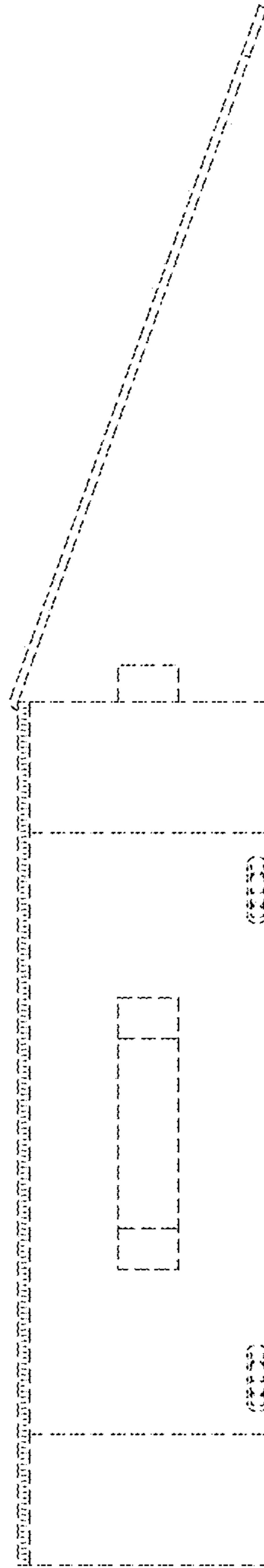


FIG. 5

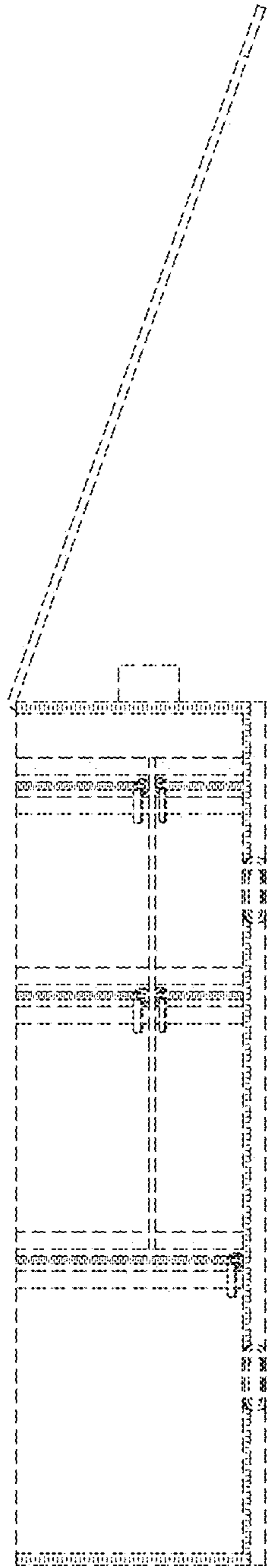


FIG. 6

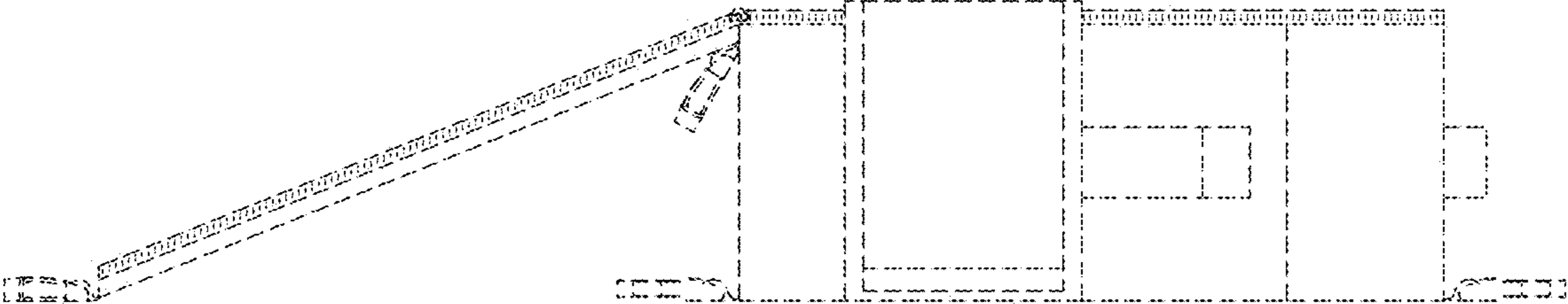


FIG. 7

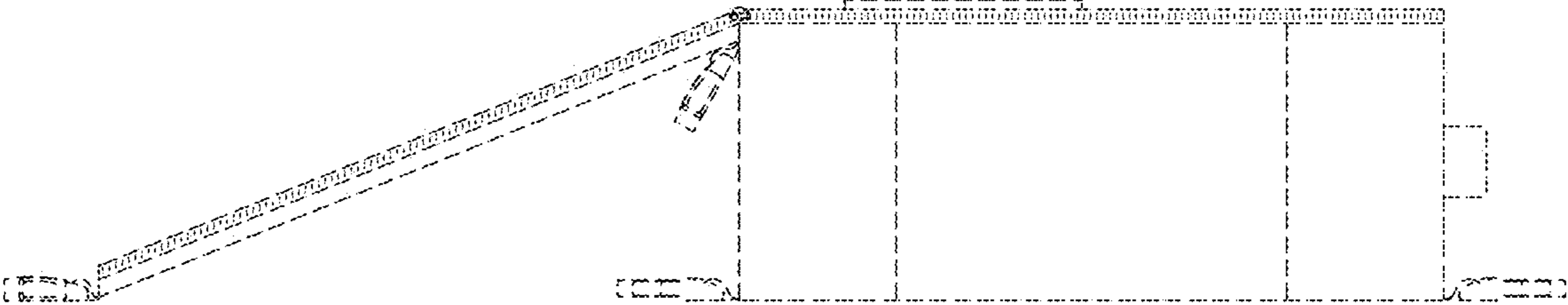


FIG. 8

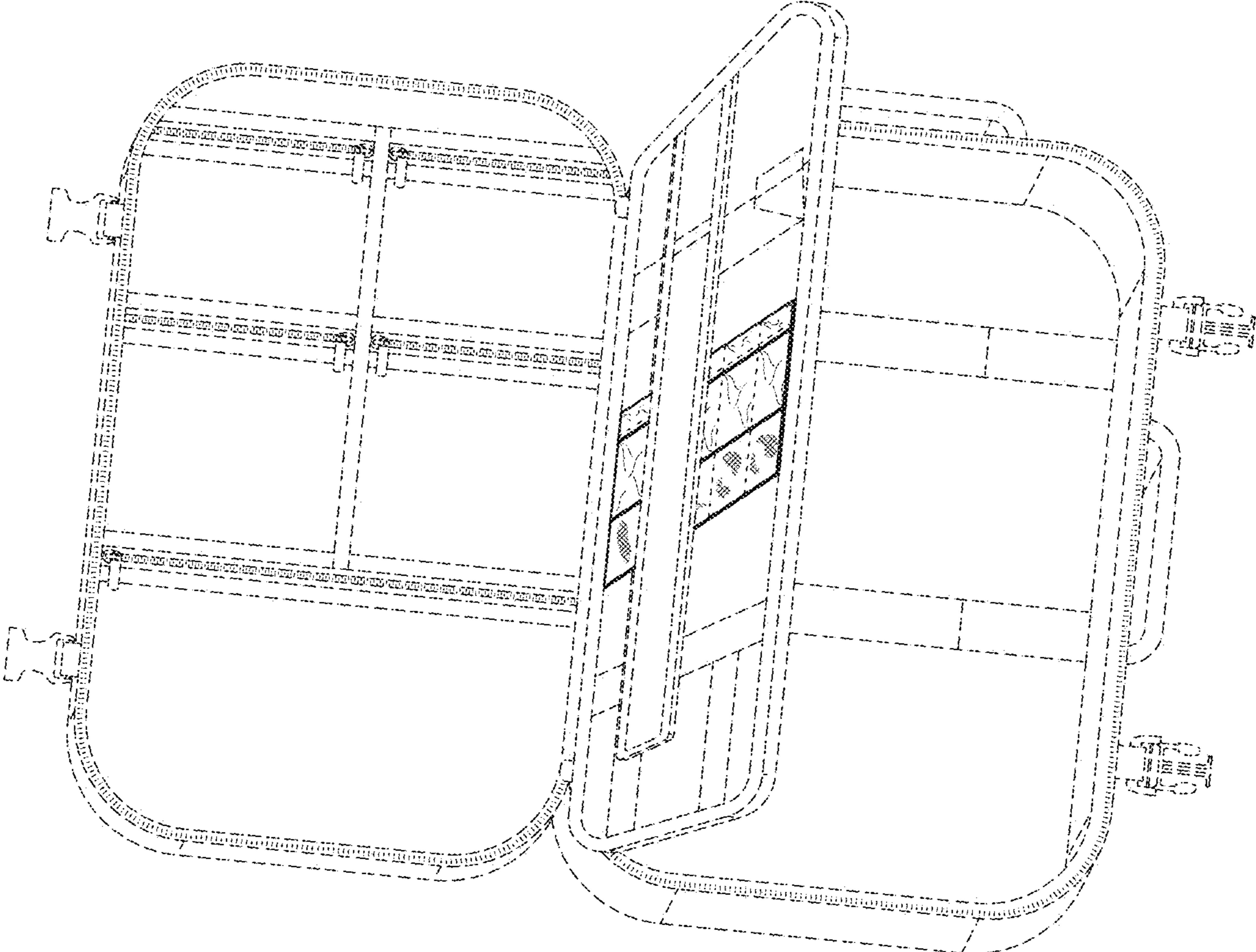


FIG. 9

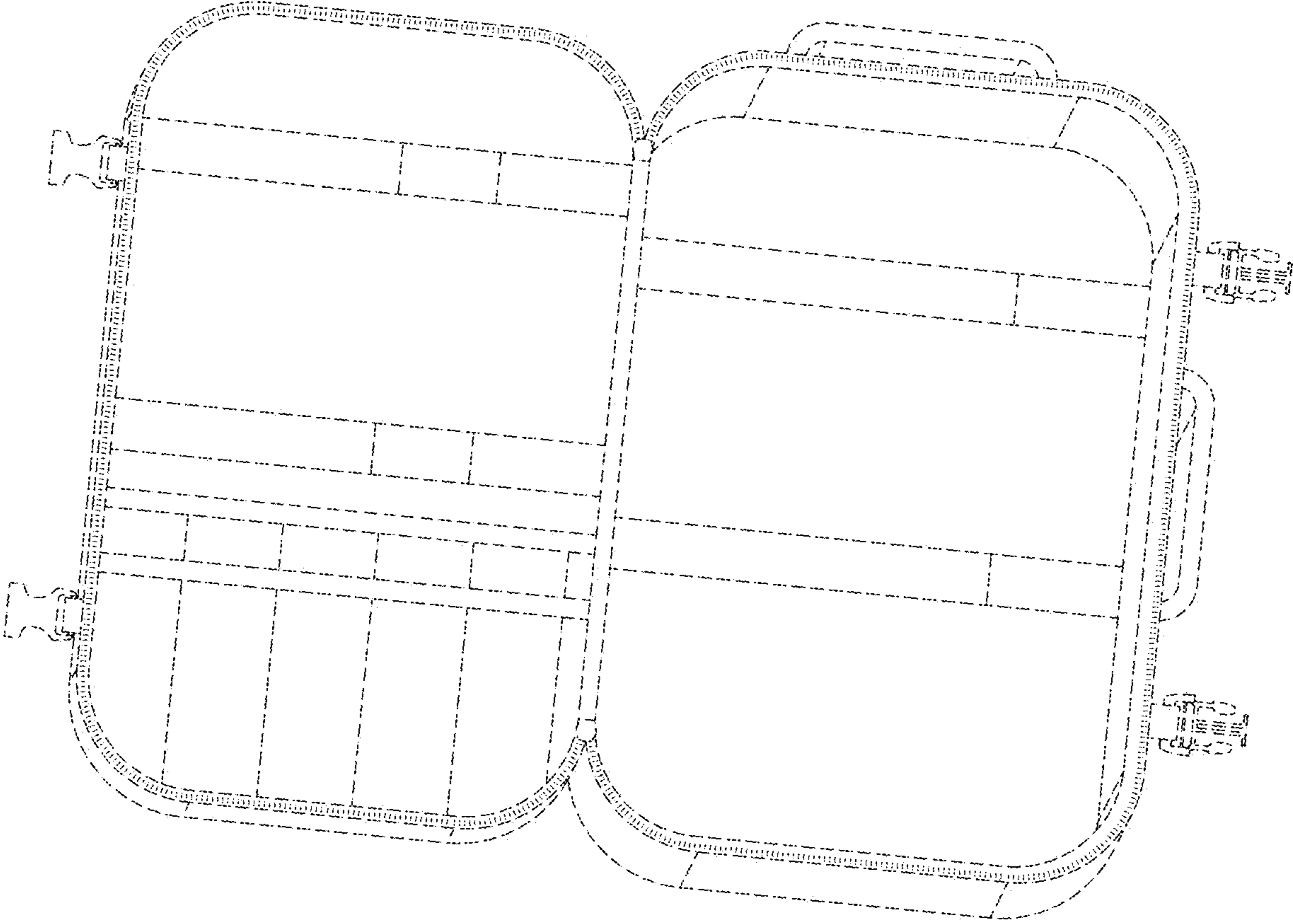


FIG. 10

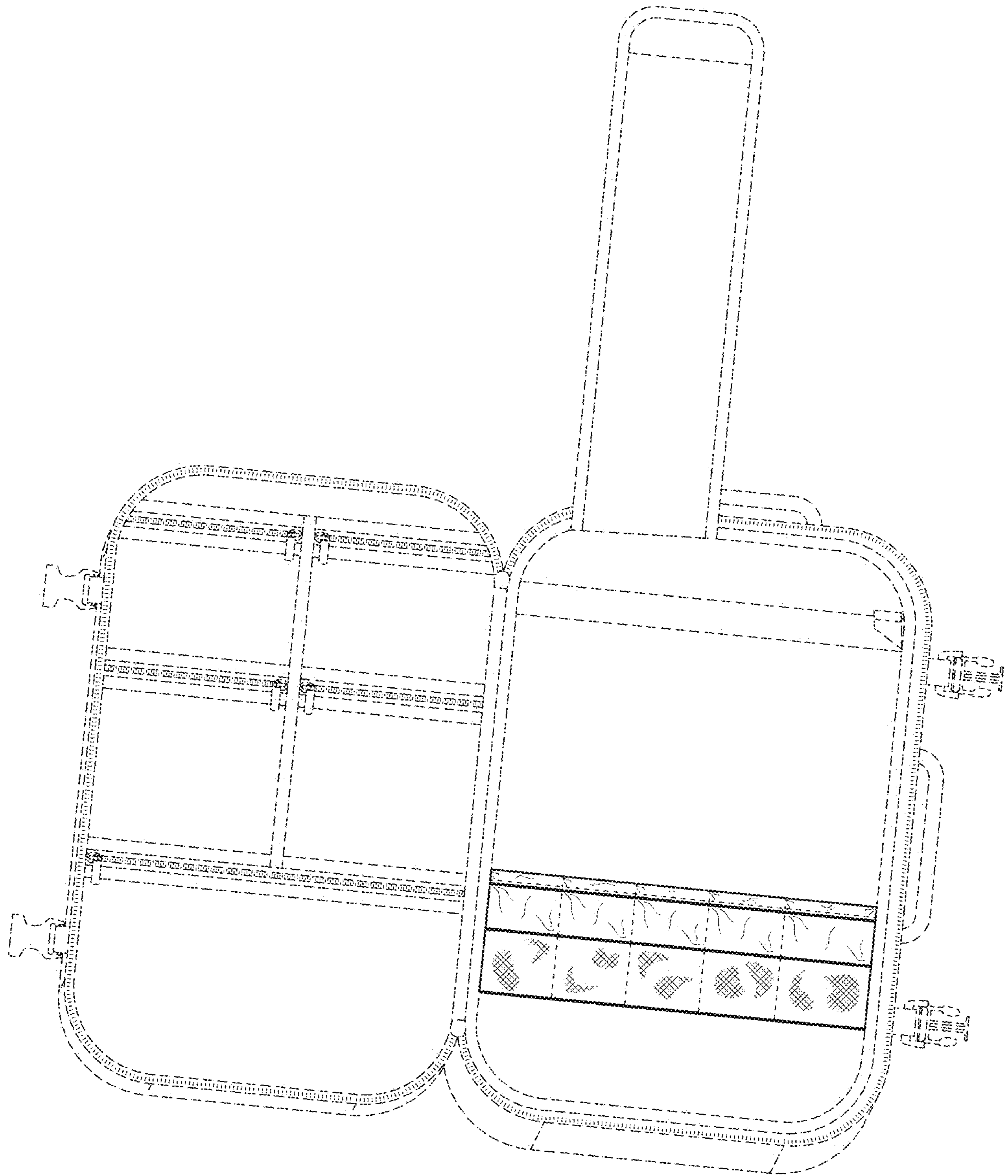


FIG. 11