



US00D941571S

(12) **United States Design Patent**
Bryzek, Jr. et al.

(10) **Patent No.:** **US D941,571 S**
(45) **Date of Patent:** **** Jan. 25, 2022**

- (54) **PERSONAL CARE KIT**
- (71) Applicant: **Medline Industries, LP**, Northfield, IL (US)
- (72) Inventors: **Joseph Bryzek, Jr.**, Kenosha, WI (US);
Paige Wexler, Highland Park, IL (US);
Angela Zuick, Northlake, IL (US);
Courtney Mercurio, Schaumburg, IL (US)
- (73) Assignee: **Medline Industries, LP**, Northfield, IL (US)
- (**) Term: **15 Years**
- (21) Appl. No.: **29/714,204**
- (22) Filed: **Nov. 21, 2019**
- (51) **LOC (13) Cl.** **03-01**
- (52) **U.S. Cl.**
USPC **D3/205**
- (58) **Field of Classification Search**
USPC D3/201, 203.1, 205, 302, 316; D9/503,
D9/504; D23/366; D24/176, 216, 217,
D24/221
CPC A45C 5/005; A45C 5/08; A45C 13/02;
A45C 2011/007; A45C 11/008; A45D
29/20; A45D 44/18; A45D 2200/25;
A46B 15/0091; A46B 15/0093
See application file for complete search history.

- (56) **References Cited**
U.S. PATENT DOCUMENTS
D140,925 S * 4/1945 Christner et al. D3/203.1
2,965,109 A * 12/1960 Borah A45D 44/18
132/289
D195,772 S * 7/1963 Sanders D3/205
3,099,273 A * 7/1963 Reed A45D 44/18
132/310
D224,783 S * 9/1972 Sanders et al. D23/369

- 3,910,495 A * 10/1975 Cummings A01M 1/2055
239/58
- D244,200 S * 5/1977 Ramos A01M 1/2055
D23/369
- D258,097 S * 2/1981 Wistrand D3/203.1
- D284,451 S * 7/1986 Fortuna D9/443
- 4,732,439 A * 3/1988 Chioffe G02B 27/08
359/616
- D365,684 S * 1/1996 Loomis D4/107
- D370,704 S * 6/1996 Oberhoff D21/684
- 5,522,497 A * 6/1996 Stacy A45D 44/18
206/209.1
- D378,016 S * 2/1997 Armbruster D3/205
- 5,630,505 A * 5/1997 Garcia A45D 44/18
206/362.1
- 5,938,058 A * 8/1999 Kim A45C 11/008
220/4.26
- D413,986 S * 9/1999 Lin D24/217

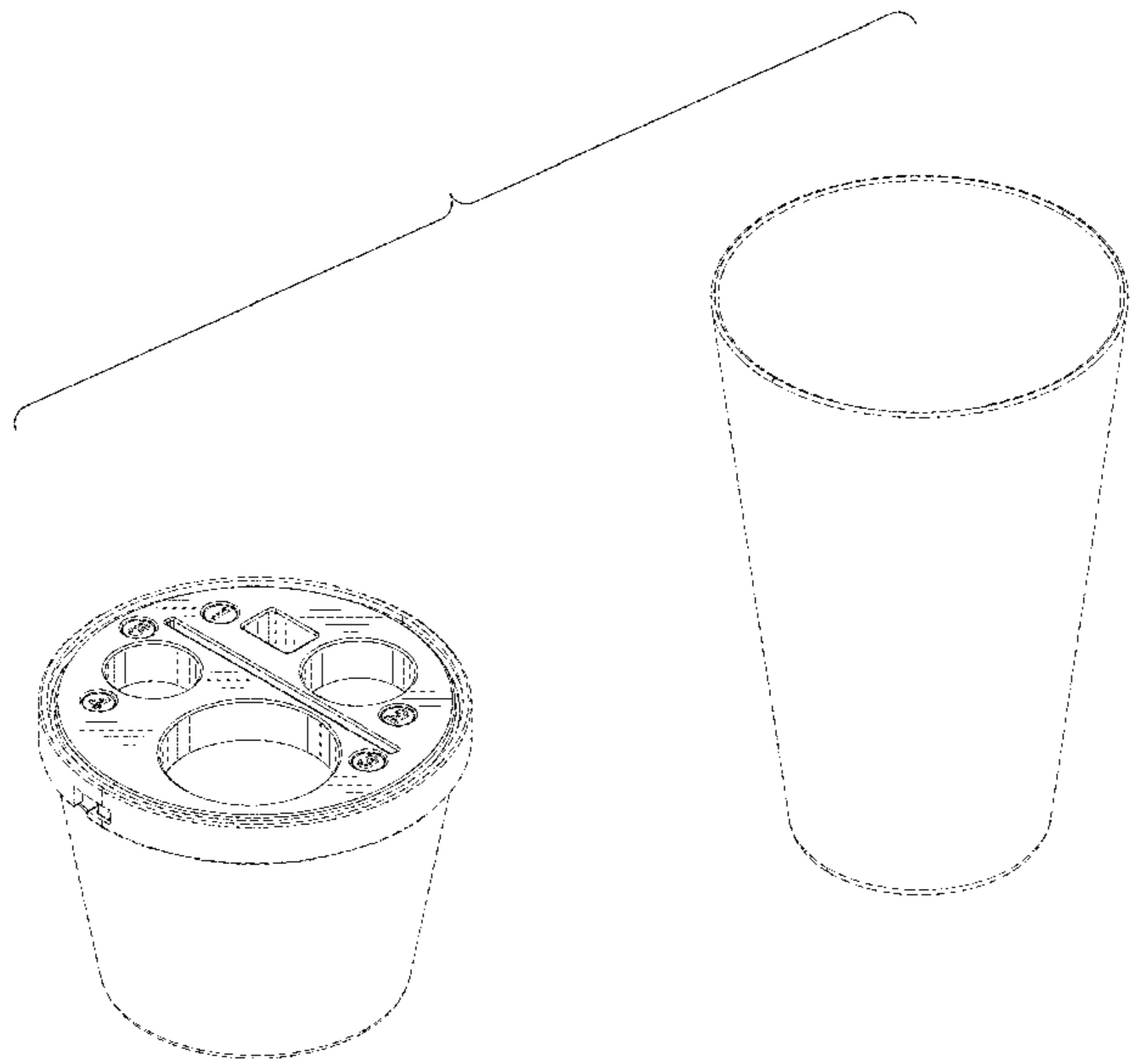
(Continued)

Primary Examiner — Steven J Czyz
(74) *Attorney, Agent, or Firm* — Fitch, Even, Tabin & Flannery LLP

(57) **CLAIM**
The ornamental design for a personal care kit, as shown and described.

DESCRIPTION
FIG. 1 is an exploded front perspective view of the personal care kit according to our new design;
FIG. 2 is a bottom perspective view thereof;
FIG. 3 is a front elevation view thereof;
FIG. 4 is a rear elevation view thereof;
FIG. 5 is a right side elevation view thereof;
FIG. 6 is a left side elevation view thereof;
FIG. 7 is a top plan view thereof; and,
FIG. 8 is a bottom plan view thereof.
The broken lines are included for the purpose of illustrating the unclaimed portions of the personal care kit and form no part of the claim.

1 Claim, 8 Drawing Sheets



(56)

References Cited

U.S. PATENT DOCUMENTS

6,186,324 B1 *	2/2001	Catterson	A45D 44/18 206/15.2	7,581,638 B2 *	9/2009	Shaw	A46B 17/06 132/308
D440,049 S *	4/2001	De Mond	D4/108	7,617,927 B1 *	11/2009	Smith, Jr.	A45D 44/18 206/15.3
6,220,253 B1 *	4/2001	Wright	A45C 11/008 132/310	D606,736 S *	12/2009	Coran	D3/201
D457,718 S *	5/2002	McDonald	D3/205	D608,436 S *	1/2010	Drucker	D23/366
6,935,515 B1 *	8/2005	Sookoo	A46B 15/0091 211/65	D615,292 S *	5/2010	Brinkly	D3/201
7,048,460 B1 *	5/2006	Thompson	A45D 44/18 401/123	8,251,076 B2 *	8/2012	Souza	A61C 15/043 132/309
D535,755 S *	1/2007	Discko, Jr.	D24/221	9,156,067 B2 *	10/2015	Talarico	B08B 3/10
7,213,603 B2 *	5/2007	Pinsky	A45D 44/18 132/310	D746,582 S *	1/2016	Saiz De Soto	D3/205
D548,954 S *	8/2007	Andersen	D3/203.1	D783,306 S *	4/2017	Gal	D6/534
D588,687 S *	3/2009	Drucker	D23/366	D829,465 S *	10/2018	Yang	D6/542
D595,829 S *	7/2009	Drucker	D23/366	D845,612 S *	4/2019	Amitai	D3/203.1
D597,192 S *	7/2009	Drucker	D23/366	D847,625 S *	5/2019	Bryzek	A45C 11/008 D9/418
D597,646 S *	8/2009	Chapman	D23/366	D850,781 S *	6/2019	Danopoulos	D3/203.1
				D873,556 S *	1/2020	McGarry	D3/205
				D876,818 S *	3/2020	Lieberman	D3/203.1
				10,835,030 B2 *	11/2020	Bryzek	B65D 75/327
				D909,746 S *	2/2021	Albay	D3/205
				11,001,434 B1 *	5/2021	Jordan	B65D 51/1683

* cited by examiner

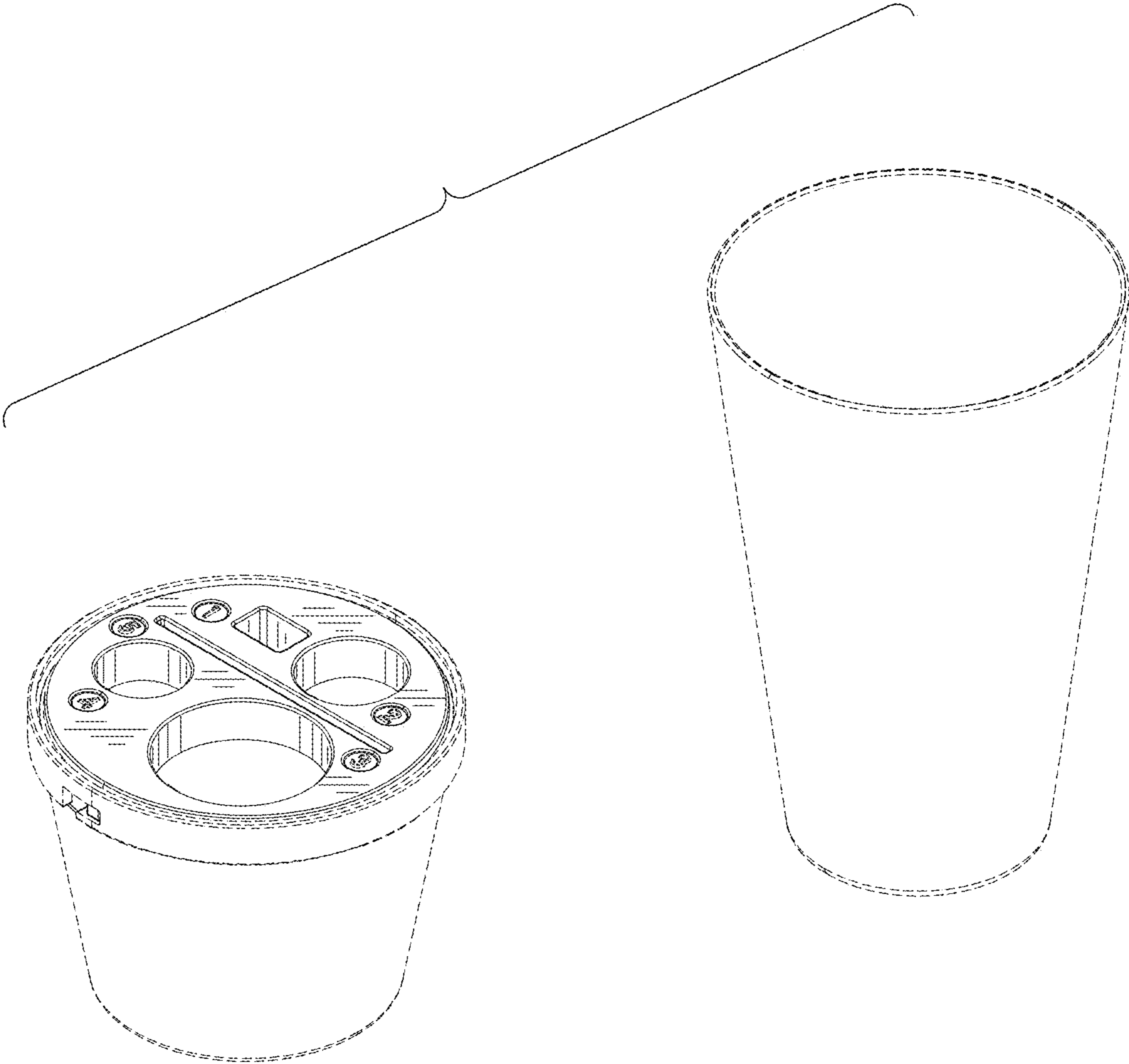


FIG. 1

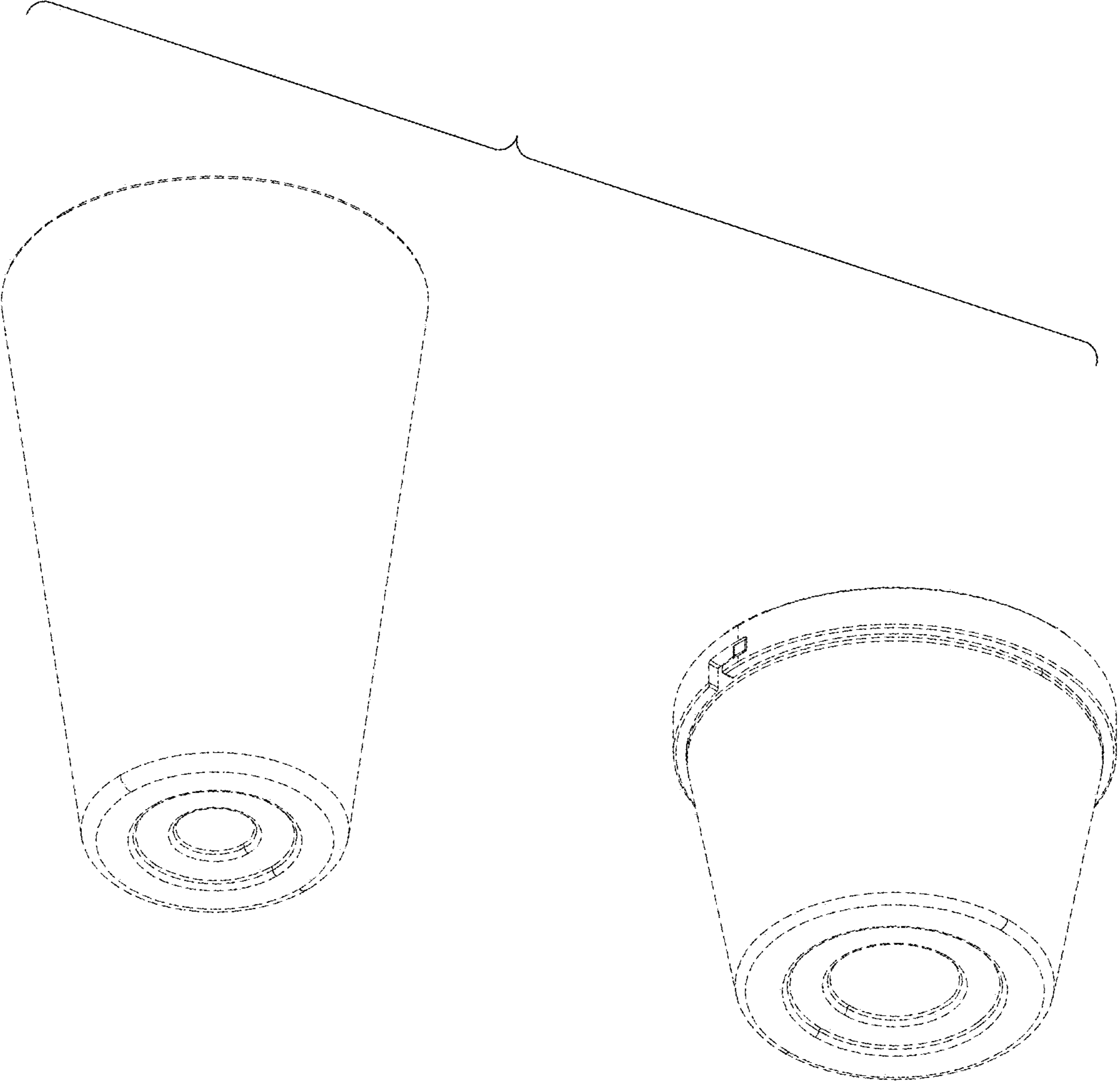


FIG. 2

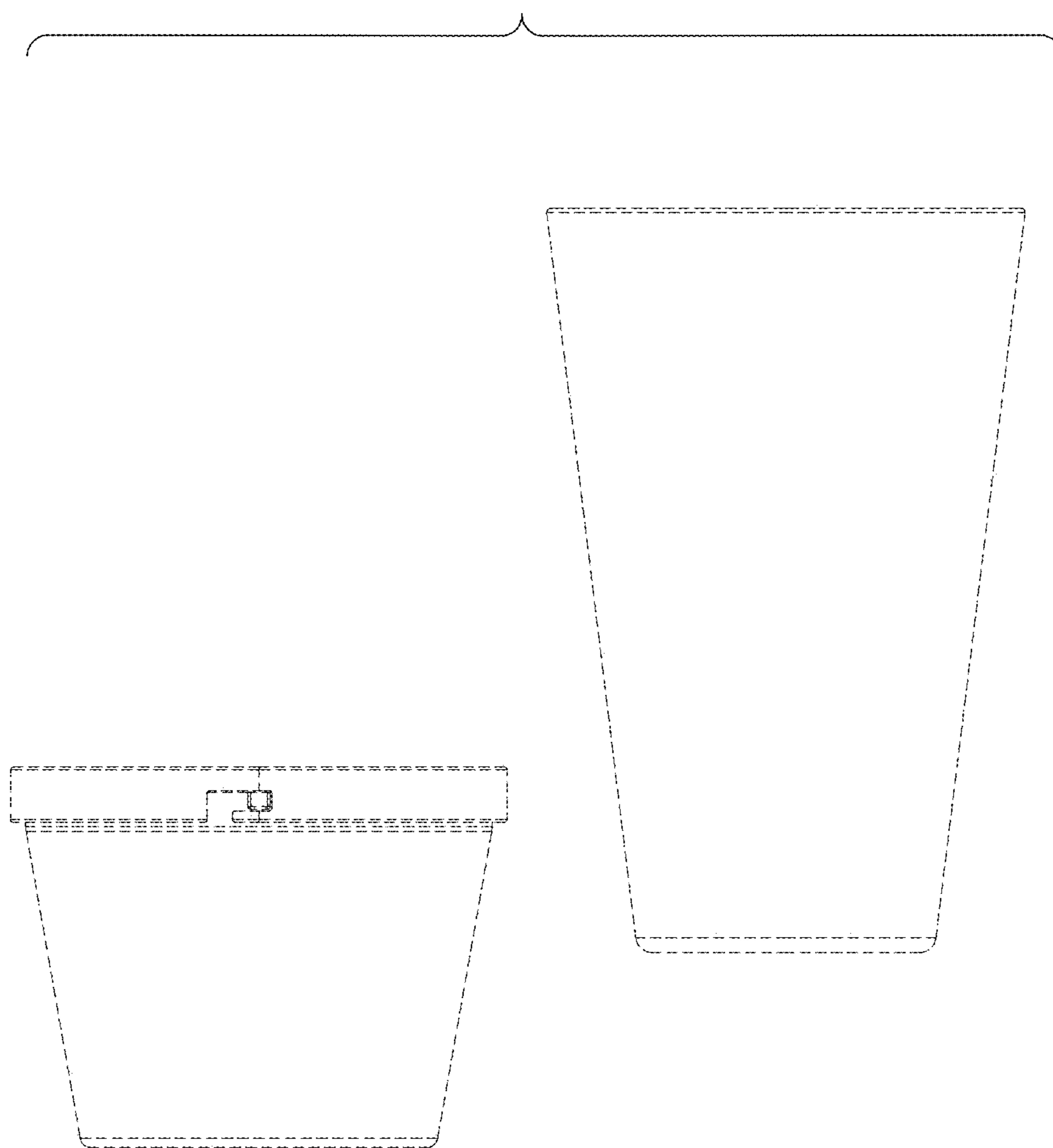


FIG. 3

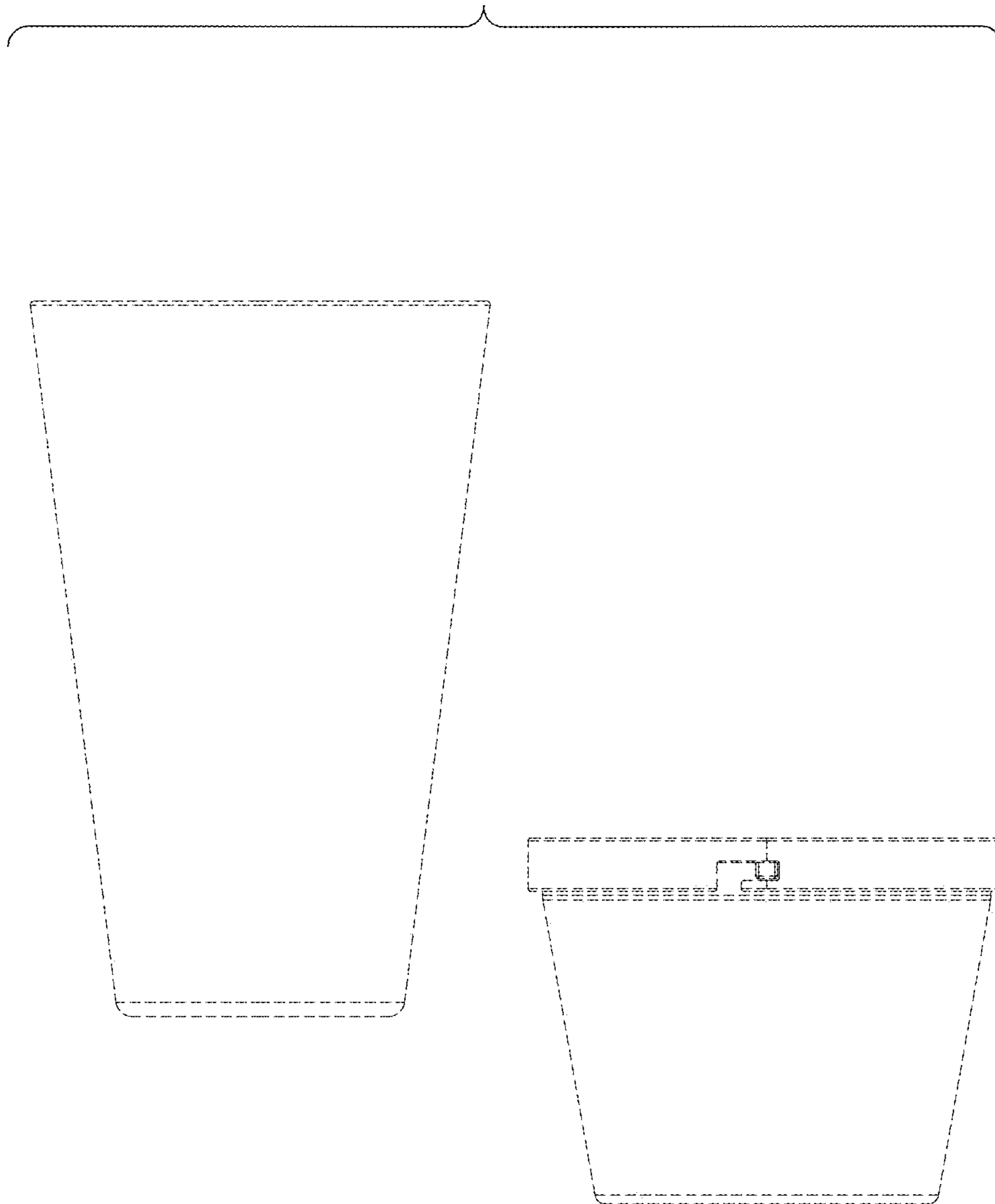


FIG. 4

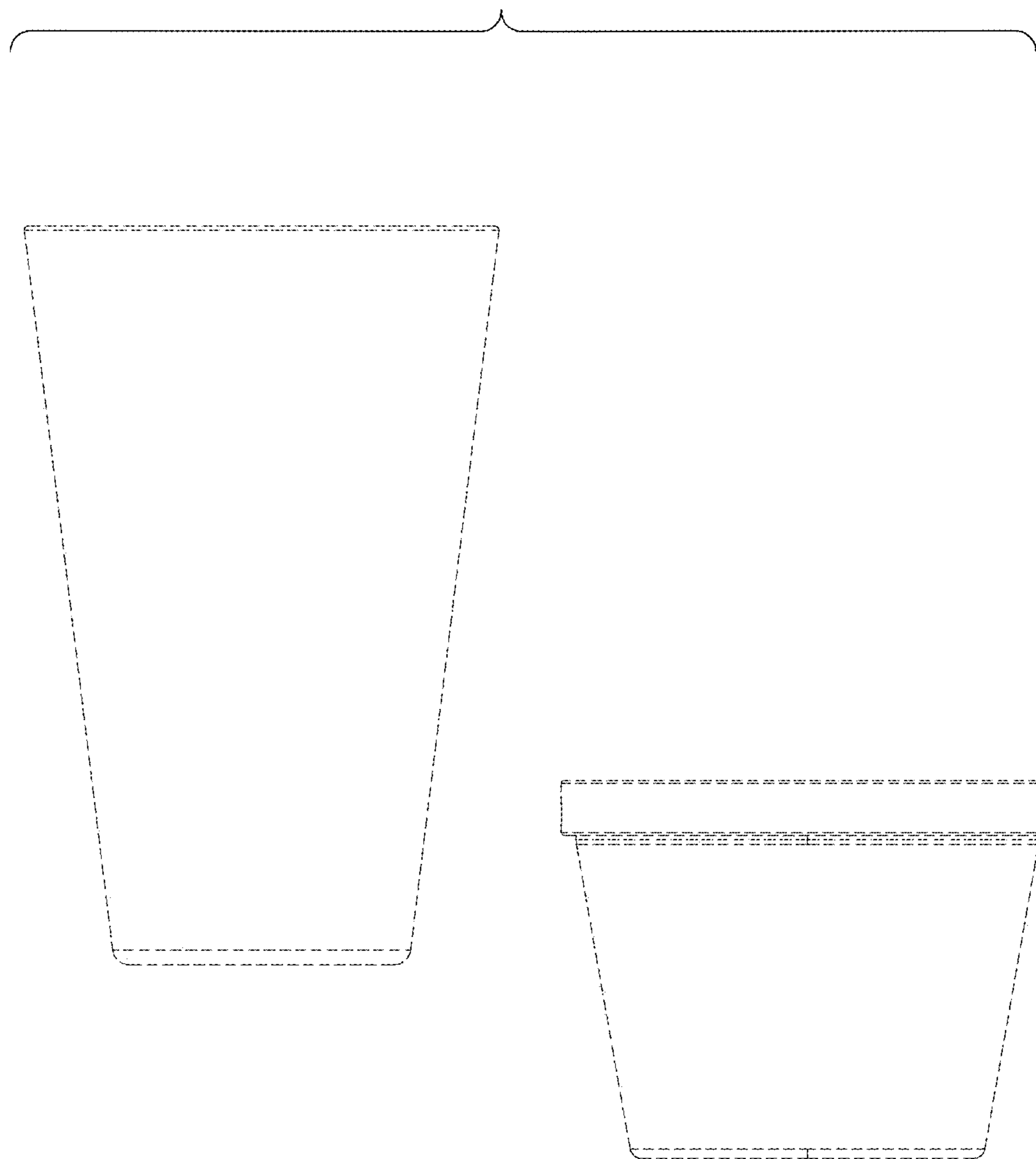


FIG. 5

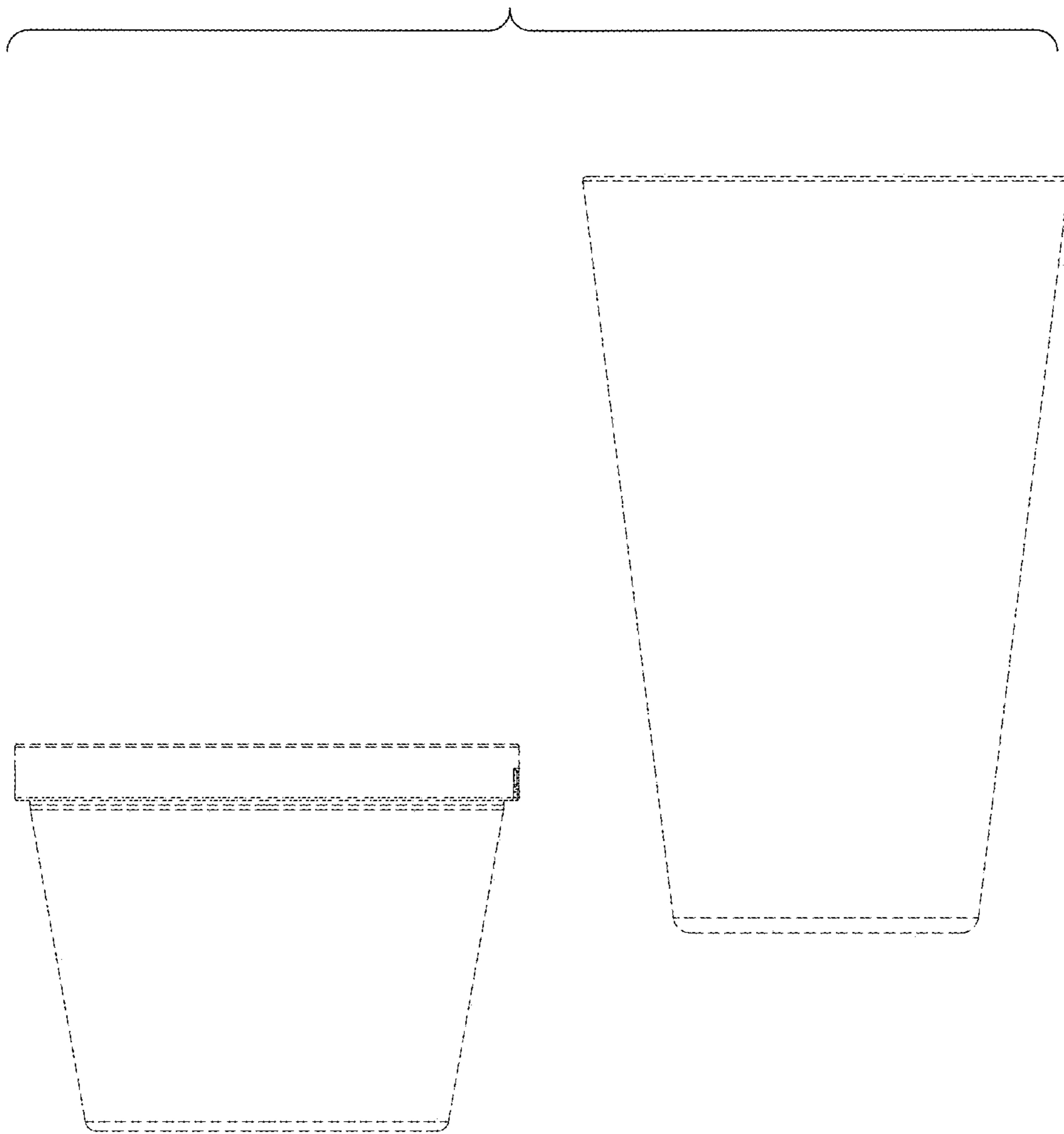


FIG. 6

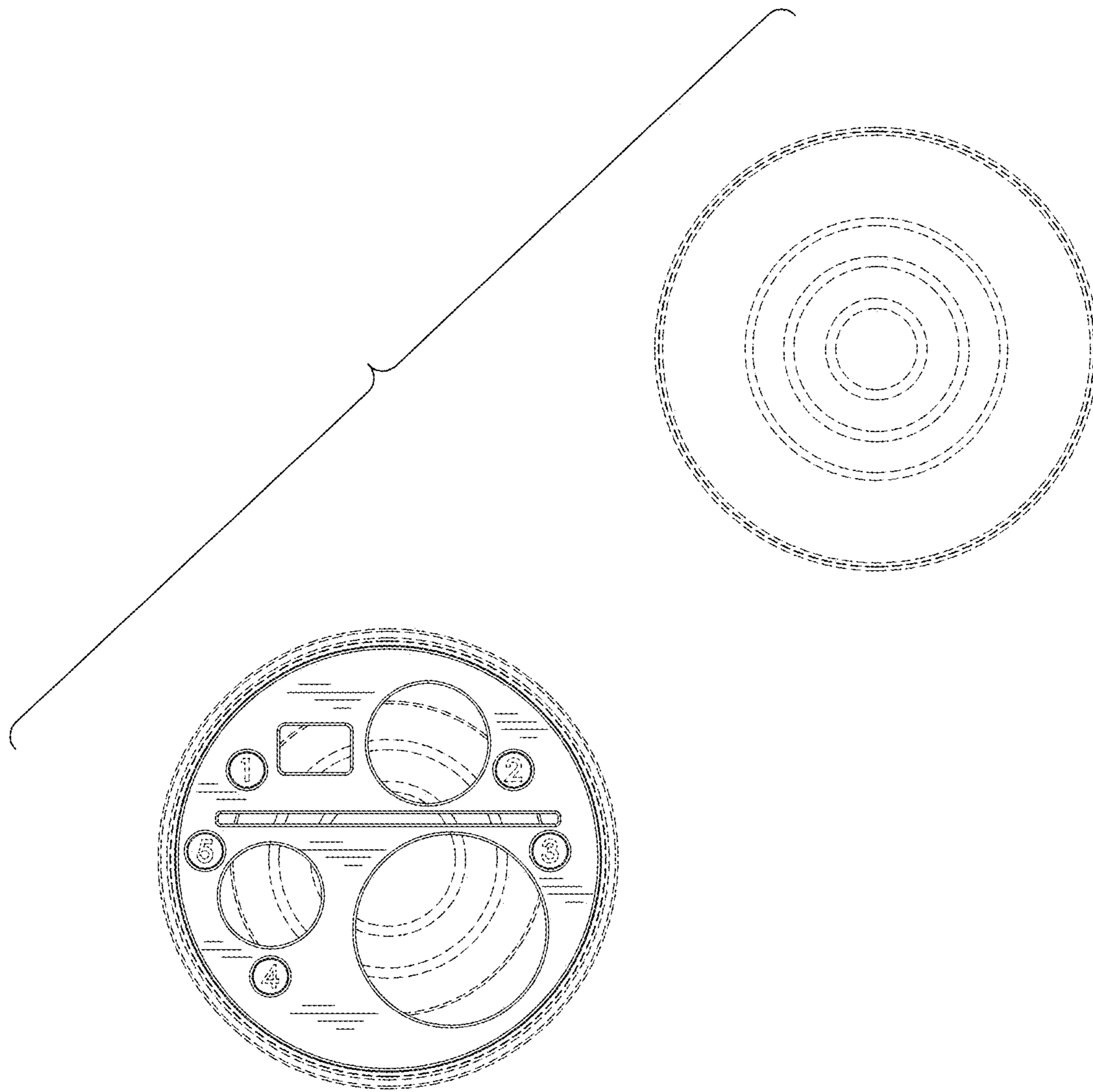


FIG. 7

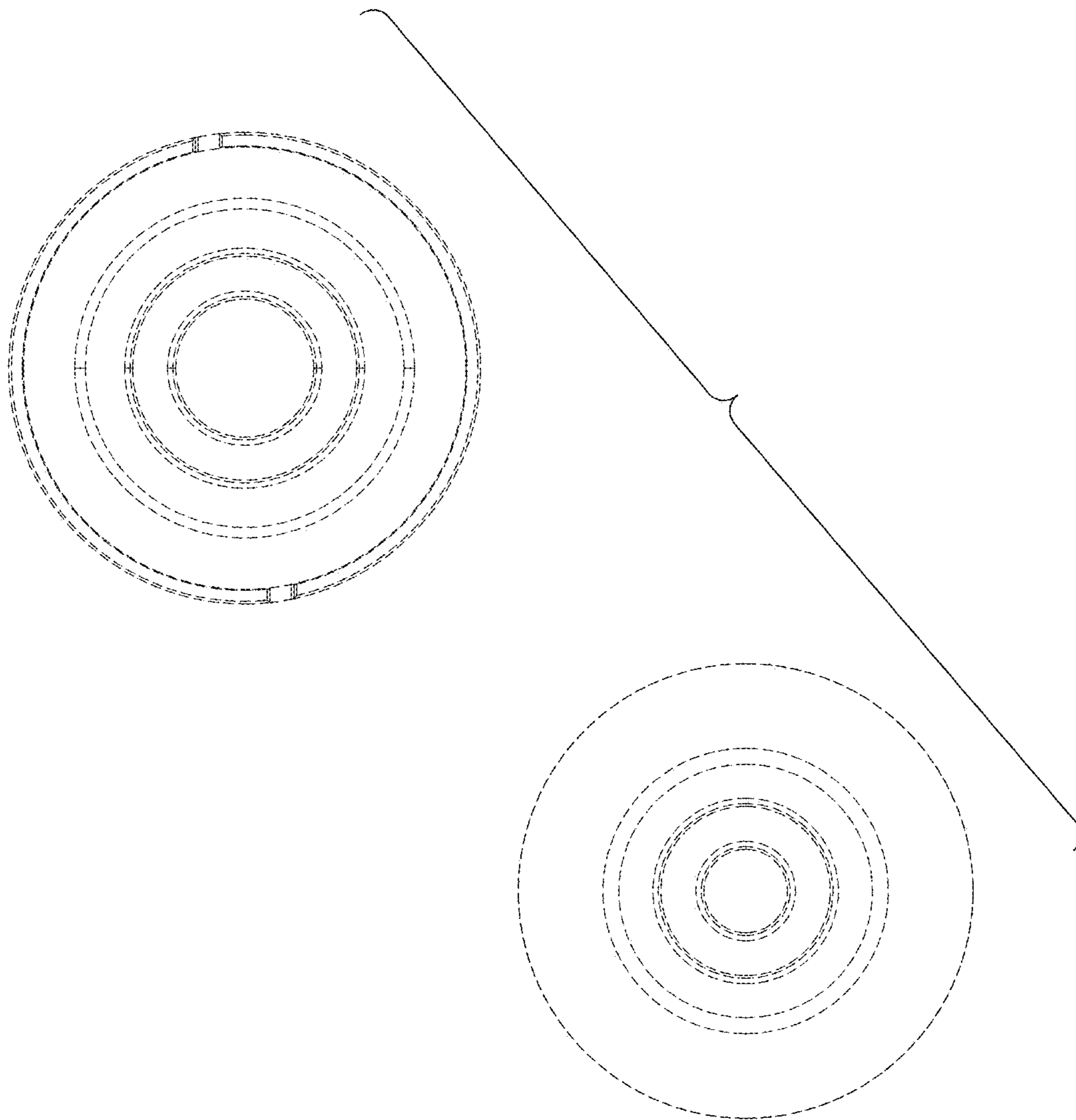


FIG. 8