



US00D941555S

(12) **United States Design Patent** (10) **Patent No.:** **US D941,555 S**  
**Corker** (45) **Date of Patent:** **\*\* Jan. 25, 2022**

(54) **LEGWEAR FOR PADDING**

- (71) Applicant: **David Corker**, Clinton Township, MI (US)
- (72) Inventor: **David Corker**, Clinton Township, MI (US)
- (\*\*) Term: **15 Years**
- (21) Appl. No.: **29/662,797**
- (22) Filed: **Sep. 7, 2018**
- (51) **LOC (13) Cl.** ..... **02-02**
- (52) **U.S. Cl.**  
USPC ..... **D2/742; D2/713**
- (58) **Field of Classification Search**  
USPC ..... **D2/700, 704–705, 712, 718, 742; 2/23, 2/83, 227, 272; 5/630, 648**  
CPC .. **A41D 10/00; A41D 2300/20; A47C 20/021; A41B 13/065**  
See application file for complete search history.

(56) **References Cited**

**U.S. PATENT DOCUMENTS**

1,740,554	A *	12/1929	Trageser	.....	A41D 10/00
					2/404
4,470,156	A *	9/1984	Duerbeck	.....	A41D 1/08
					2/227
4,561,124	A	12/1985	Thompson		
4,613,991	A	9/1986	Grover		
D292,340	S *	10/1987	Sjoholm	.....	D2/742
4,736,477	A	4/1988	Moore		
5,134,726	A	8/1992	Ross		
5,377,693	A	1/1995	Loper et al.		
5,664,271	A	9/1997	Bellavance		
6,145,508	A	11/2000	Seip		
6,161,222	A	12/2000	Strickland		

(Continued)

**FOREIGN PATENT DOCUMENTS**

EP 2946680 A1 11/2015

**OTHER PUBLICATIONS**

Pillow Pjs FAQ—Bathroom video frame 00:03 on Vimeo.com, Published Sep. 5, 2018; Visited Online Nov. 12, 2020; <https://vimeo.com/288357240> (Year: 2018).\*

(Continued)

*Primary Examiner* — Amy C Wierenga

(74) *Attorney, Agent, or Firm* — Greenberg Traurig, LLP

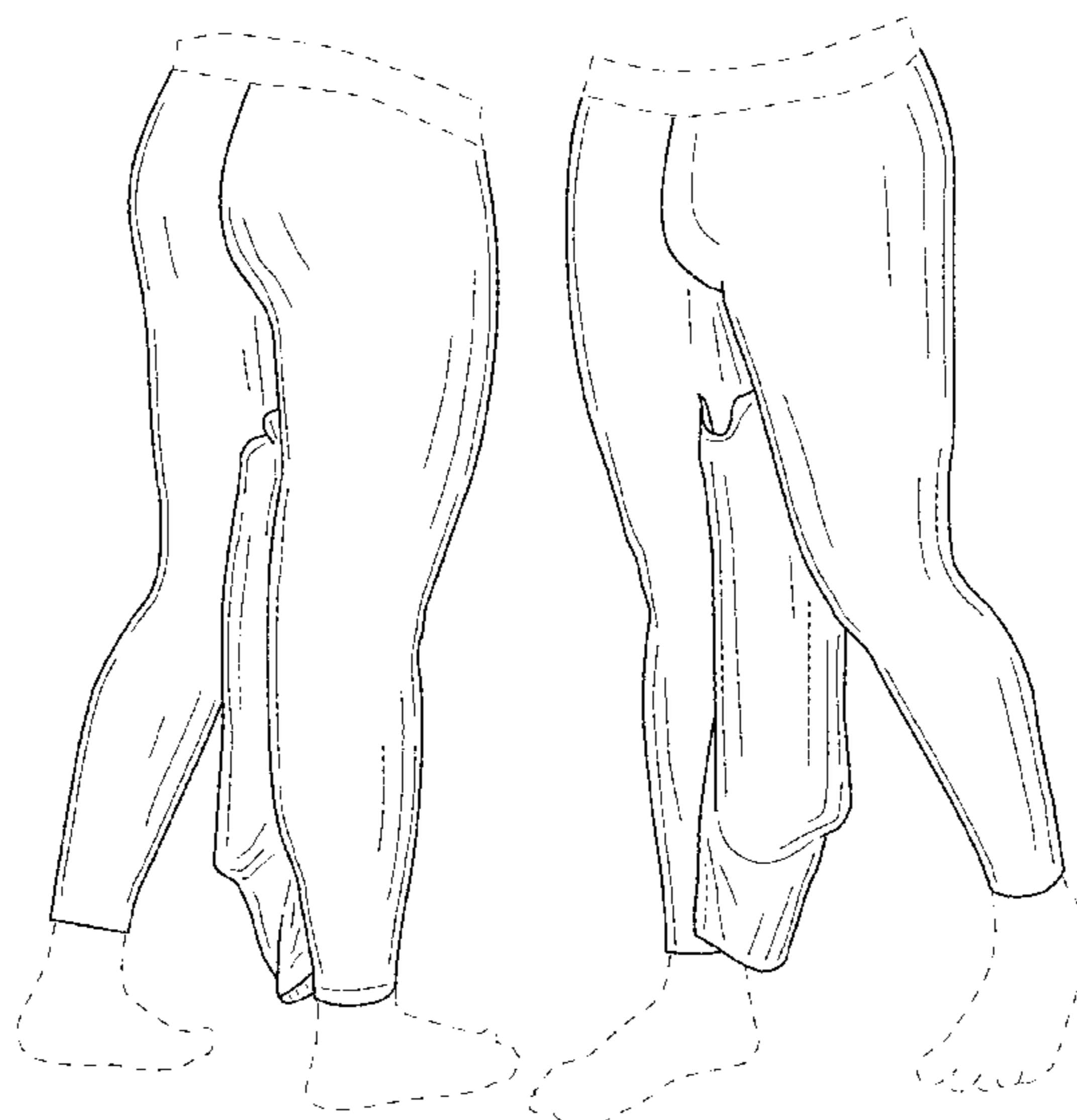
(57) **CLAIM**

The ornamental design for legwear for padding, as shown and described.

**DESCRIPTION**

FIG. 1 is a front view of legwear for padding having my design, shown in a position of use;  
 FIG. 2 is a rear view of the legwear of FIG. 1;  
 FIG. 3 is a perspective view of the legwear of FIG. 1, shown in a vertical position of use;  
 FIG. 4 is a perspective view of the legwear of FIG. 1, shown in a vertical position of use;  
 FIG. 5 is a medial side view of the legwear of FIG. 1, with the second leg portion of the legwear removed to better illustrate the appearance of the sleeve, and with a padding pillow removed from the sleeve and illustrated in broken lines;  
 FIG. 6 is a front view of the legwear of FIG. 1, with the padding pillow removed from the sleeve and illustrated in broken lines and the legwear laid flat; and,  
 FIG. 7 is a rear view of the legwear of FIG. 1, with the padding pillow removed from the sleeve and illustrated in broken lines and the legwear laid flat.  
 The second leg portion illustrated in broken lines in FIGS. 1-4, 6, and 7 forms no part of the claimed design.  
 The padding pillow illustrated in broken lines in FIGS. 5-7 forms no part of the claimed design.  
 All other features shown in the figures in broken lines form no part of the claimed design.

**1 Claim, 7 Drawing Sheets**



(56)

**References Cited**

U.S. PATENT DOCUMENTS

6,178,559 B1 \* 1/2001 Dennis ..... A41B 9/001  
2/114  
6,327,713 B1 12/2001 Gomez  
7,089,596 B2 \* 8/2006 Leflet ..... A41D 1/086  
2/23  
D571,078 S \* 6/2008 Kadel ..... D2/712  
D645,229 S \* 9/2011 Gagnier ..... D2/712  
9,044,053 B1 6/2015 Osatchuck  
2003/0150042 A1 \* 8/2003 Leflet ..... A41D 1/086  
2/23  
2012/0041488 A1 2/2012 Al Mubayadh  
2012/0284901 A1 11/2012 Webb  
2014/0041123 A1 2/2014 North  
2014/0215679 A1 \* 8/2014 Habip ..... A41D 13/0506  
2/23  
2016/0235134 A1 8/2016 Troutner  
2016/0296030 A1 10/2016 Frydman  
2019/0208838 A1 \* 7/2019 Corker ..... A41D 1/06

OTHER PUBLICATIONS

Pillow Pjs FAQ—Bathroom video frame 00:12 on Vimeo.com,  
Published Sep. 5, 2018; Visited Online Nov. 12, 2020; <https://vimeo.com/288357240> (Year: 2018).\*  
ISA/US, International Search Report and Written Opinion issued in  
PCT/US19/13040, dated Mar. 29, 2019, 8 pgs.

\* cited by examiner

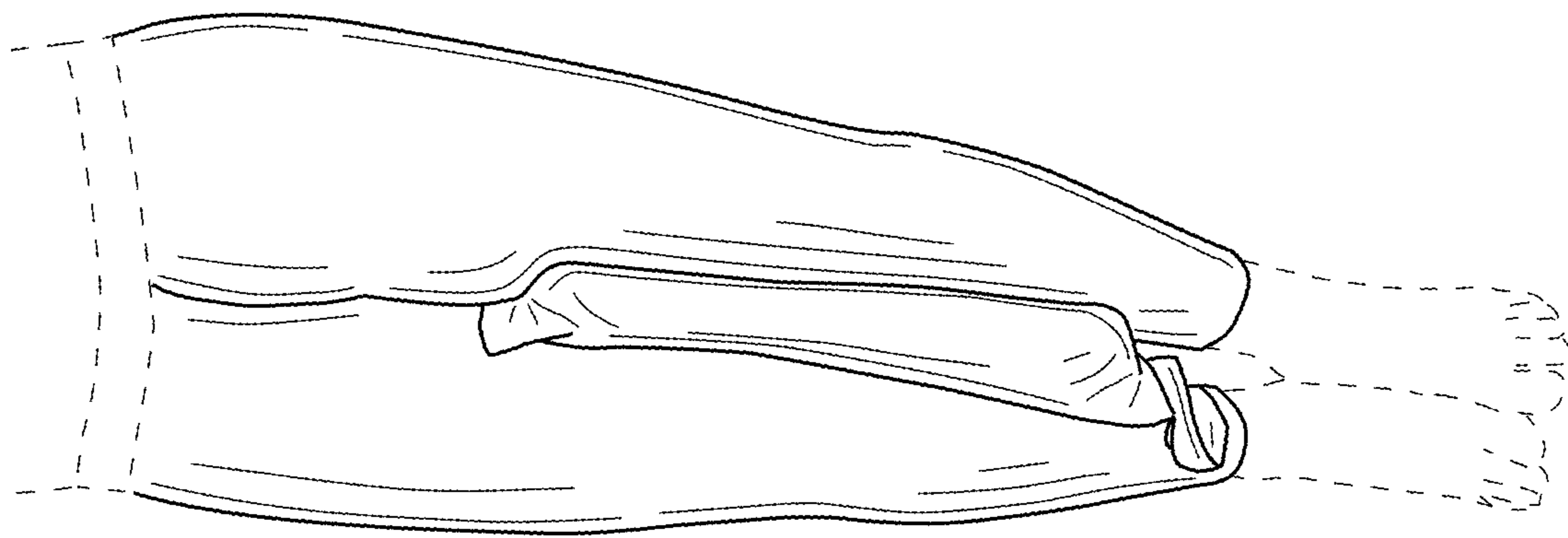


FIG.1

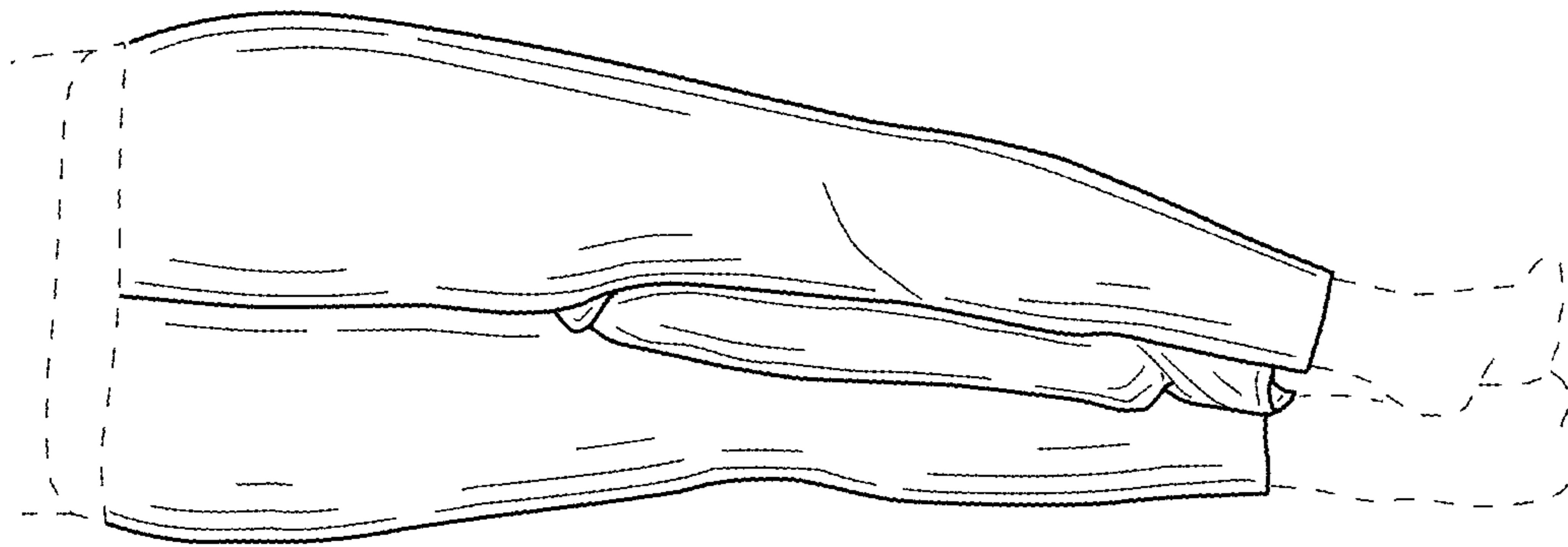


FIG.2



FIG.3



FIG.4

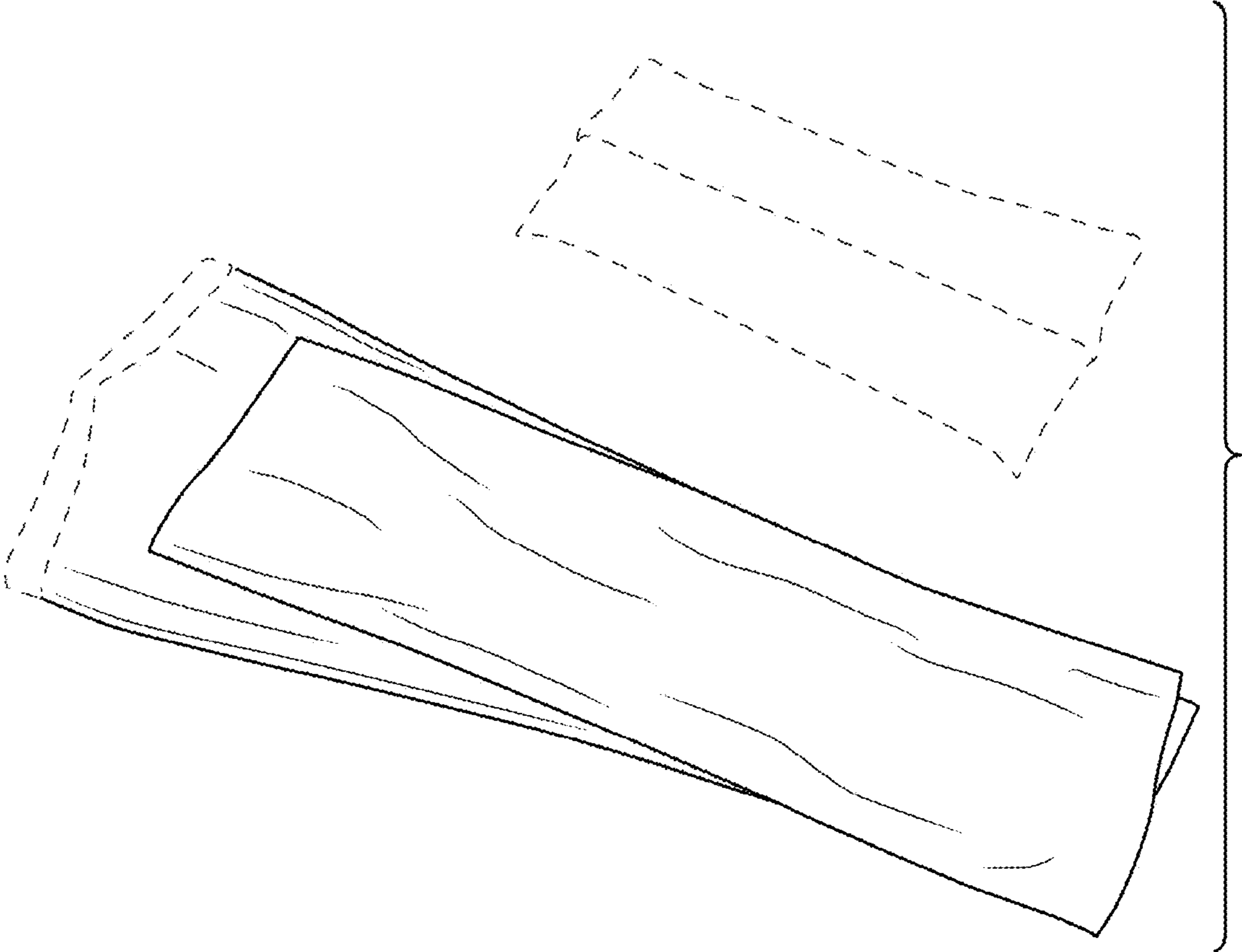


FIG.5

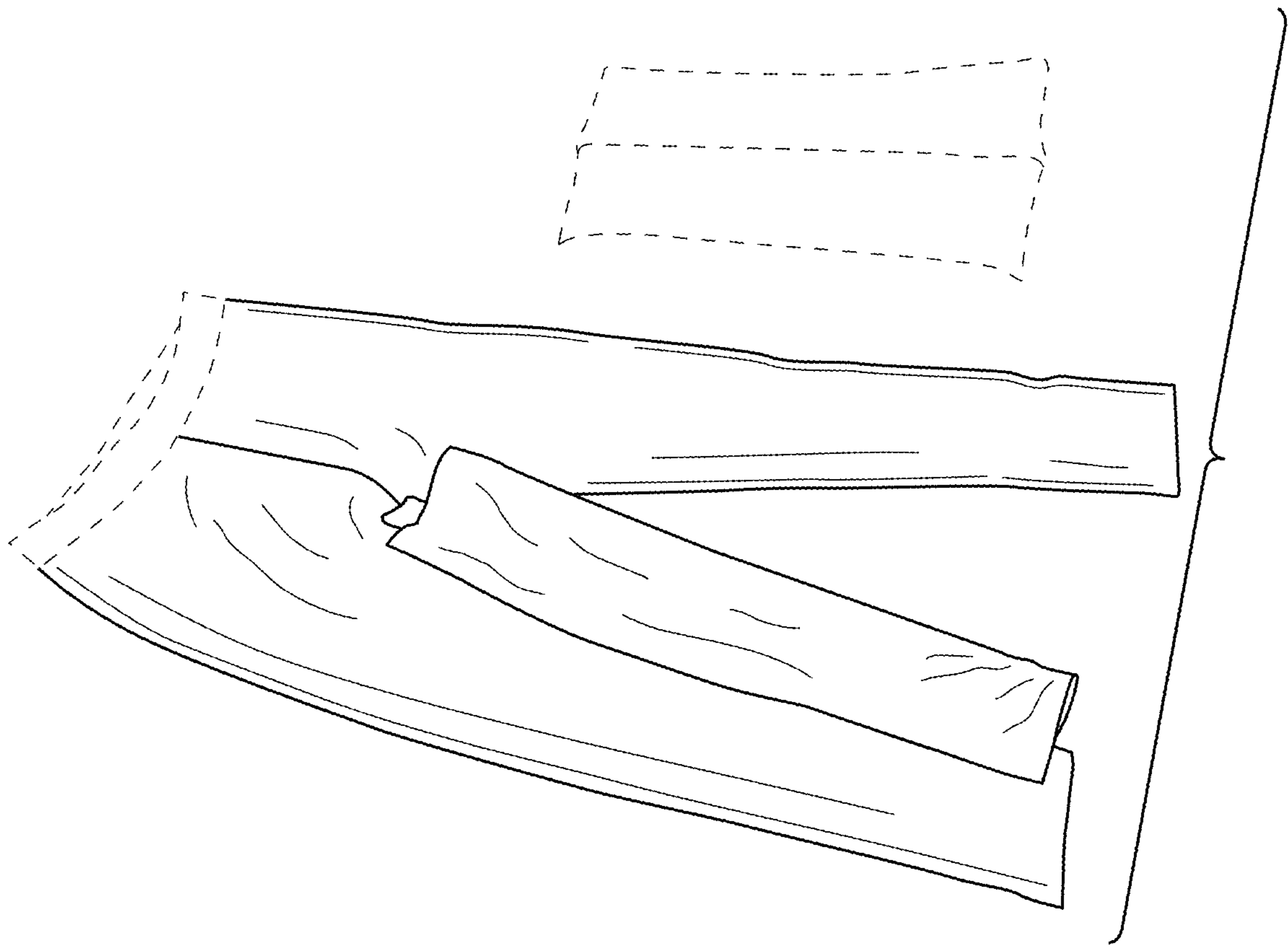


FIG.6



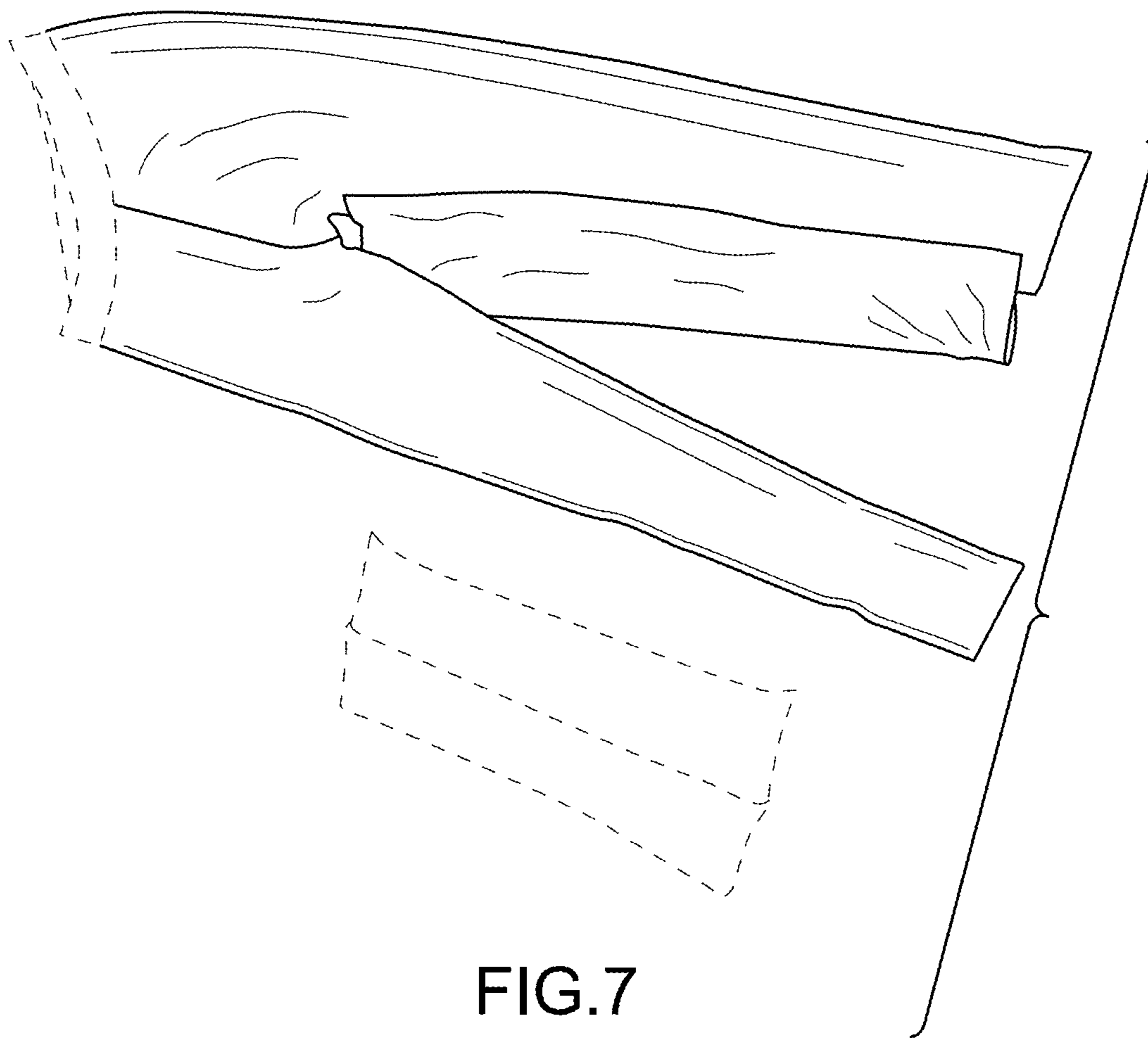


FIG.7