



US00D941554S

(12) **United States Design Patent** (10) **Patent No.:** **US D941,554 S**  
**Sun** (45) **Date of Patent:** **\*\* Jan. 25, 2022**

(54) **SHORTS**  
(71) Applicant: **Michael Sun**, Irvine, CA (US)  
(72) Inventor: **Michael Sun**, Irvine, CA (US)  
(73) Assignee: **Michael Sun**, Irvine, CA (US)  
(\*\*) Term: **15 Years**  
(21) Appl. No.: **29/726,253**  
(22) Filed: **Mar. 2, 2020**  
(51) **LOC (13) Cl.** ..... **02-02**  
(52) **U.S. Cl.**  
USPC ..... **D2/738**  
(58) **Field of Classification Search**  
USPC ..... D2/700, 704, 705, 712, 713, 714, 715,  
D2/716, 728, 731, 732, 733, 734, 738,  
D2/742, 743, 749  
CPC ..... A41B 11/14; A41B 11/143; A41B 11/146;  
A41D 1/06; A41D 1/08; A41D 1/084;  
A41D 7/00; A41D 7/005; A41D 13/0015;  
A41D 27/24; A41D 27/245; A41D  
27/285; A41D 2400/24; A41D 2400/38;  
A41D 17/02  
See application file for complete search history.

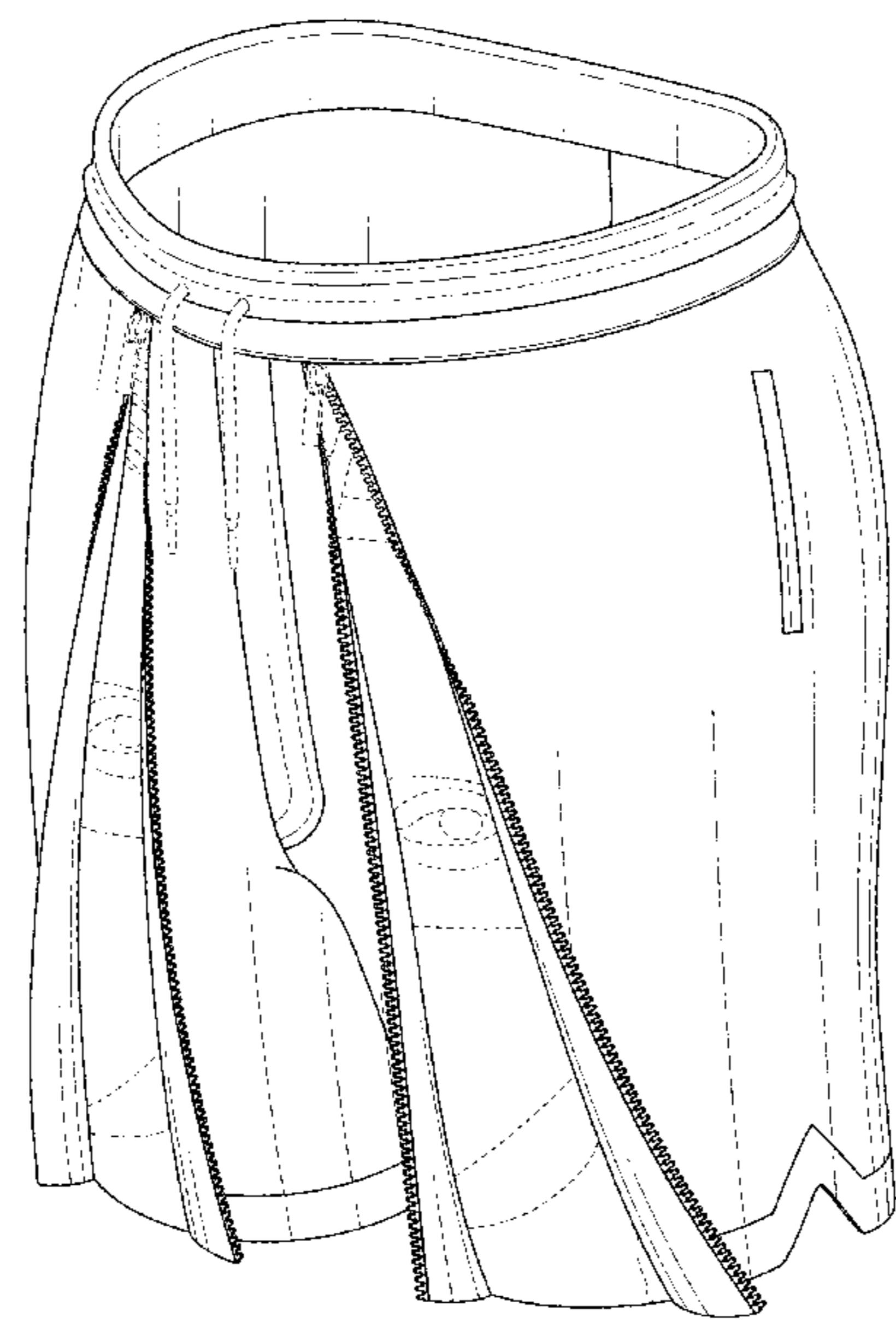
(56) **References Cited**  
U.S. PATENT DOCUMENTS  
5,918,310 A \* 7/1999 Farahany ..... A41D 13/015  
2/23  
D614,378 S \* 4/2010 Viola ..... D2/742  
D668,840 S \* 10/2012 McCray ..... D2/738  
D681,917 S \* 5/2013 Mercer ..... D2/742  
D746,544 S \* 1/2016 Curran ..... D2/738  
D801,638 S \* 11/2017 Curran ..... D2/738  
D817,598 S \* 5/2018 Collins ..... D2/712  
10,219,553 B2 \* 3/2019 Curran ..... A41D 27/285  
2018/0020741 A1 \* 1/2018 Kelly ..... A41B 9/008  
2/400

2018/0035736 A1\* 2/2018 Le ..... A41D 1/08  
\* cited by examiner  
*Primary Examiner* — Jasmine Mlinarcik  
(74) *Attorney, Agent, or Firm* — Buckley, Maschoff & Talwalkar LLC

(57) **CLAIM**  
The ornamental design for shorts, as shown and described.

**DESCRIPTION**  
FIG. 1 is a front perspective view of the shorts;  
FIG. 2 is a front view of the shorts shown in FIG. 1;  
FIG. 3 is a back view of the shorts shown in FIG. 1;  
FIG. 4 is a right side view of the shorts as shown in FIG. 1;  
FIG. 5 is a left side view of the shorts as shown in FIG. 1;  
FIG. 6 is a top view of the shorts as shown in FIG. 1;  
FIG. 7 is a bottom view of the shorts as shown in FIG. 1;  
FIG. 8 is a front perspective view of the shorts as shown with the zipper features portrayed in an open configuration;  
FIG. 9 is a front perspective view of the shorts as shown in FIG. 8;  
FIG. 10 is a back view of the shorts as shown in FIG. 8;  
FIG. 11 is a right side perspective view of the shorts as shown in FIG. 8;  
FIG. 12 is a left side perspective view of the shorts as shown in FIG. 8;  
FIG. 13 is a top perspective view of the shorts as shown in FIG. 8; and,  
FIG. 14 is a bottom perspective view of the shorts as shown in FIG. 8.  
The zipper pull, zipper head, and drawstrings of the shorts outlined by broken lines depict portions of the article that form no part of the claimed design. All remaining broken lines along the surfaces of the shorts depict features of the article that form no part of the claimed design.

**1 Claim, 12 Drawing Sheets**



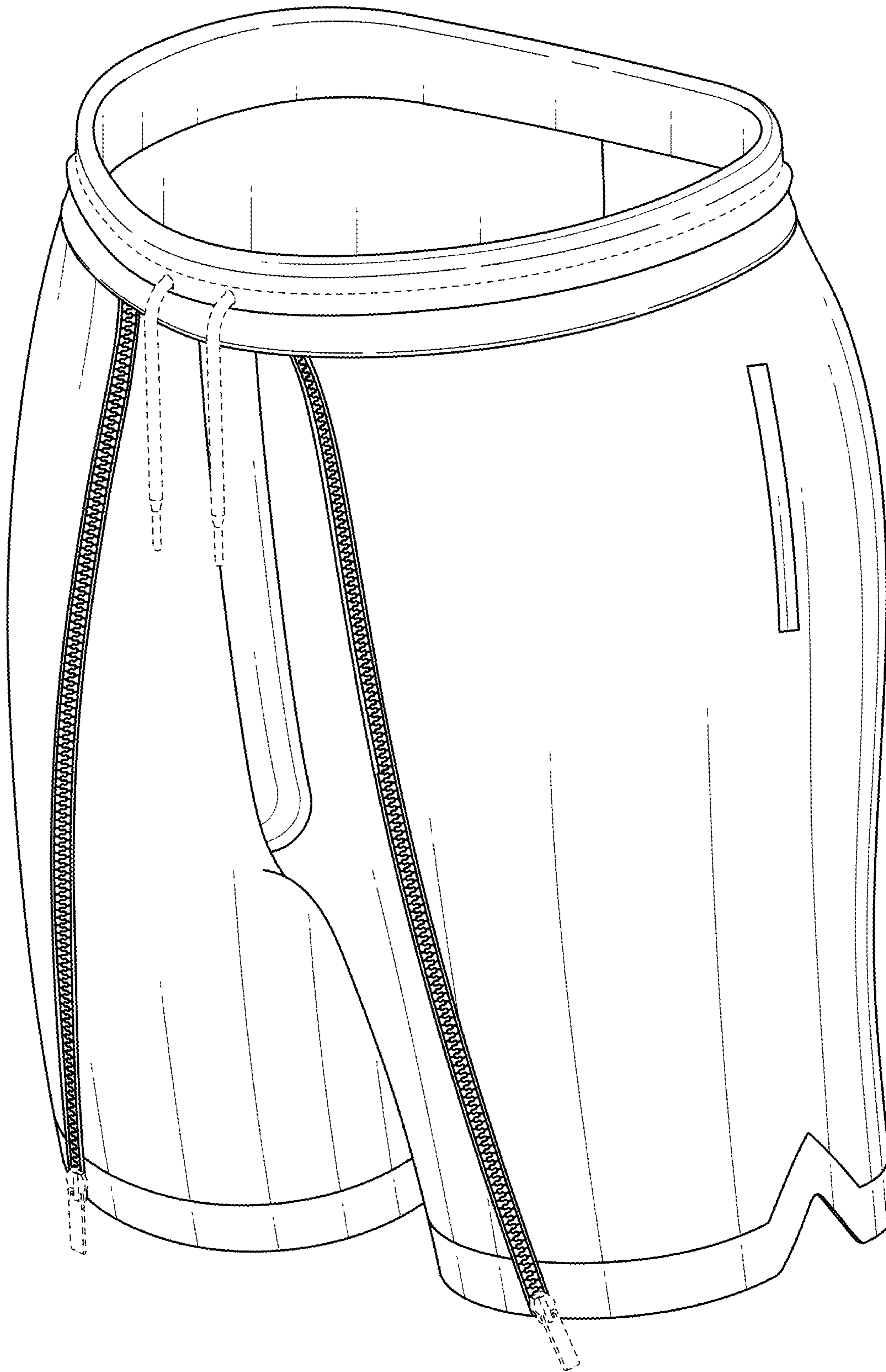


FIG. 1

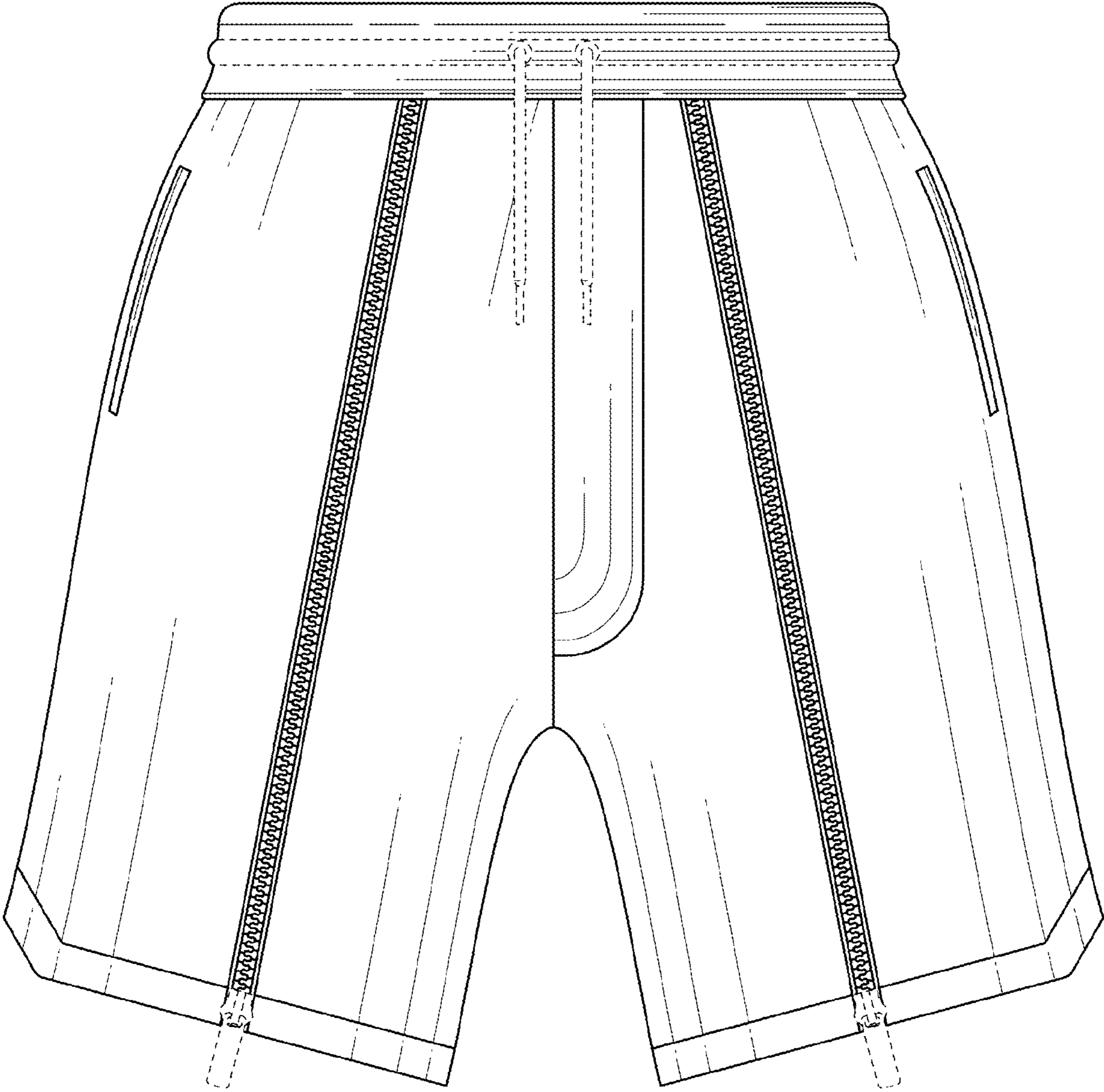


FIG. 2

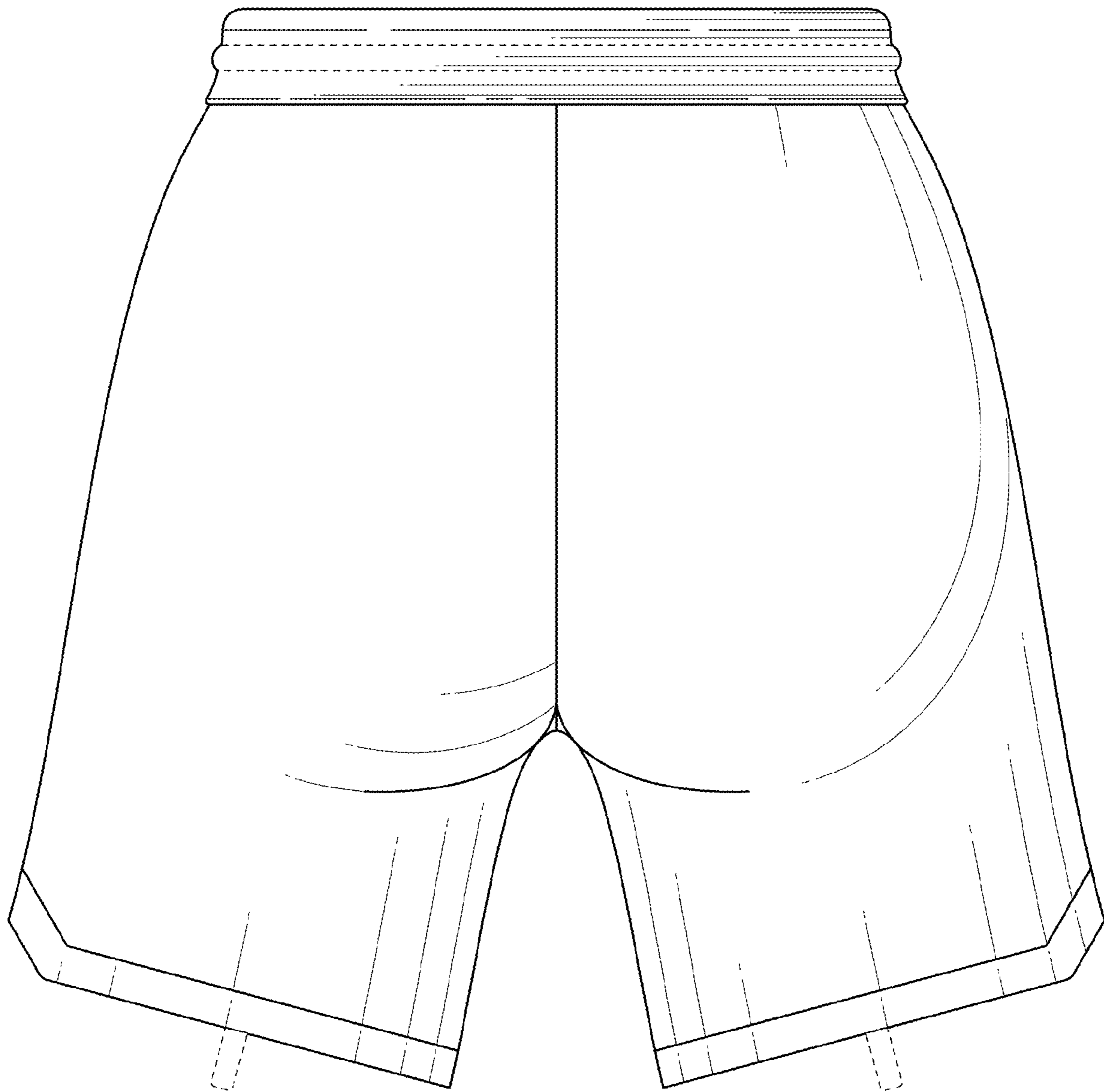


FIG. 3



FIG. 4

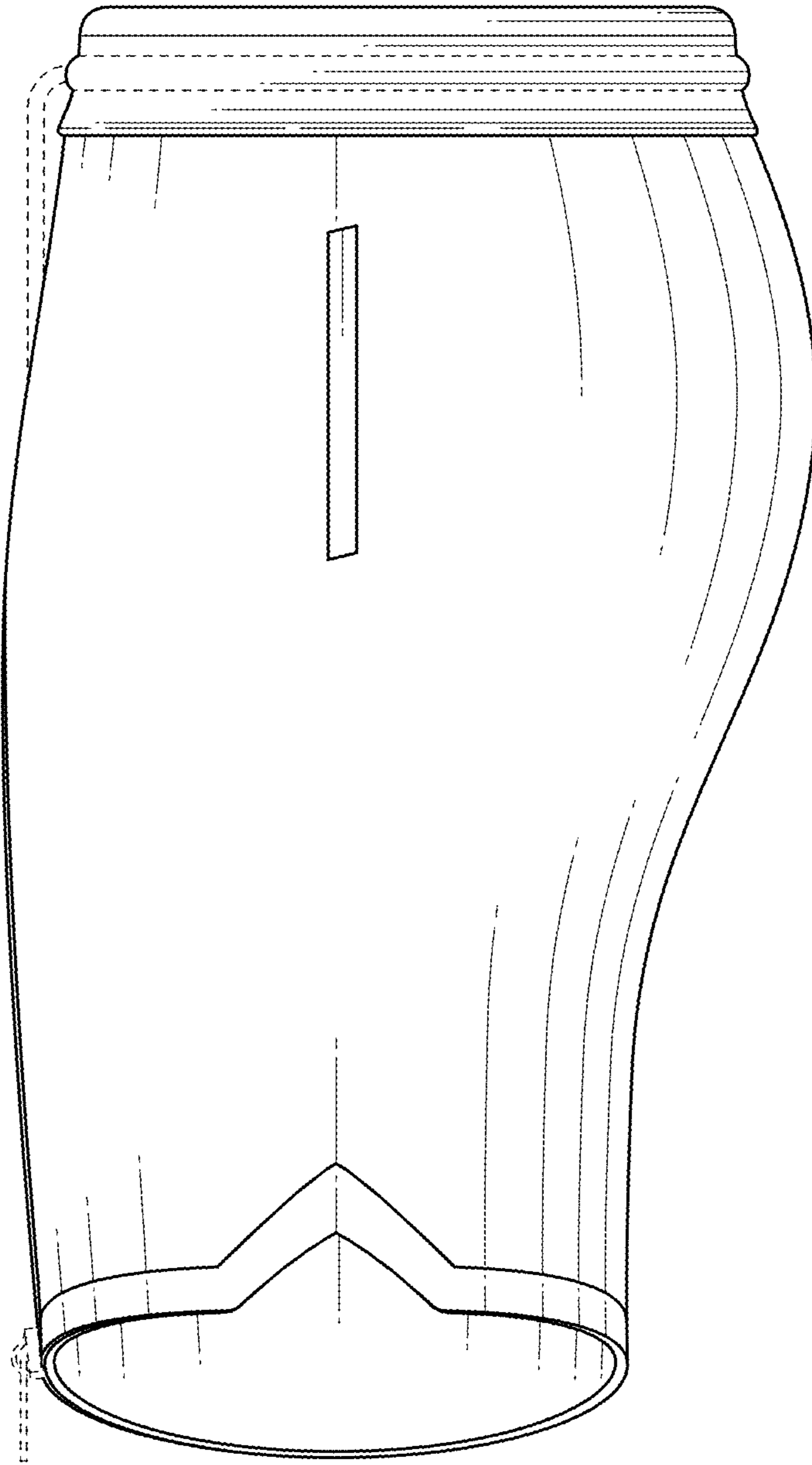


FIG. 5

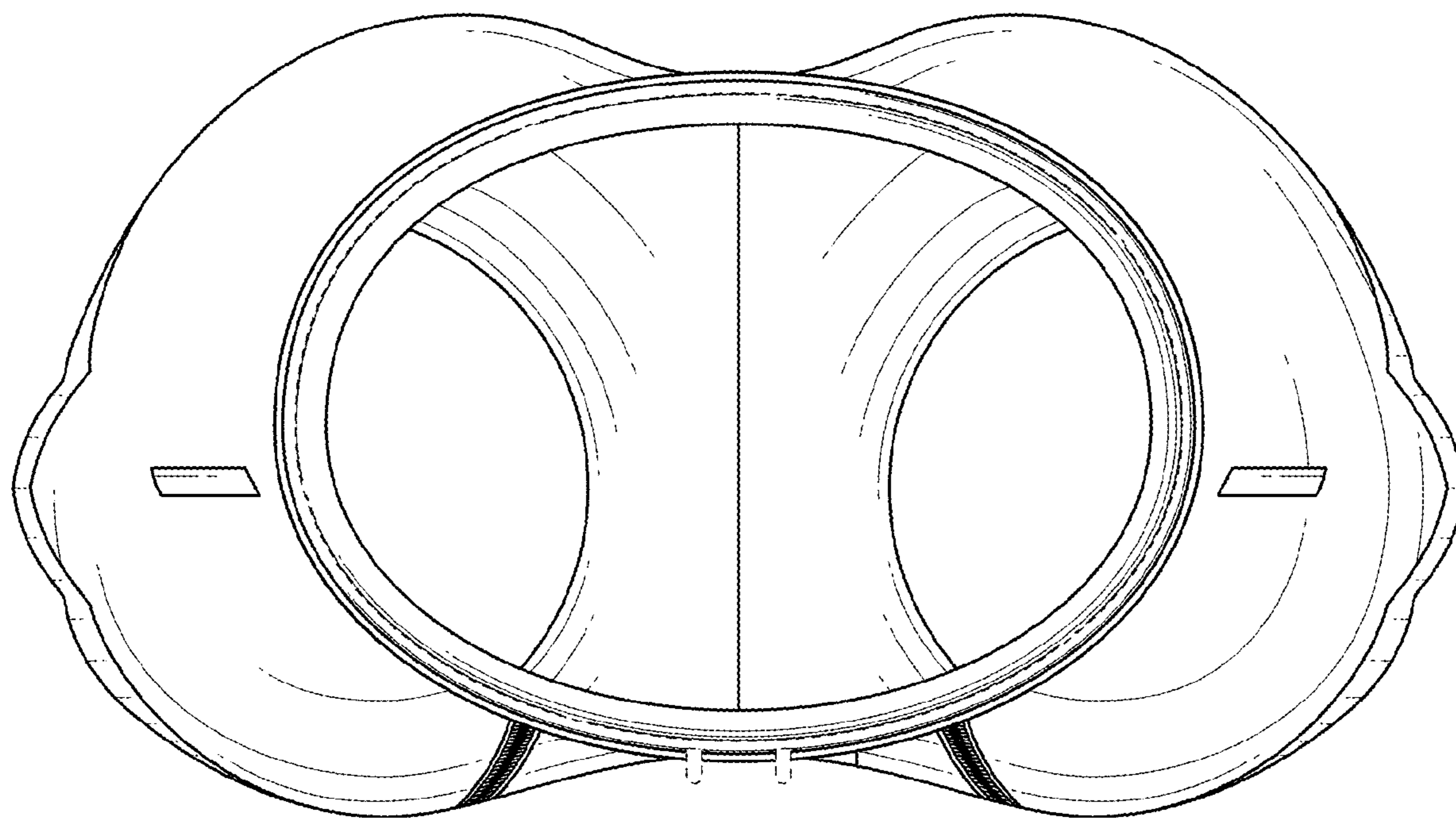


FIG. 6

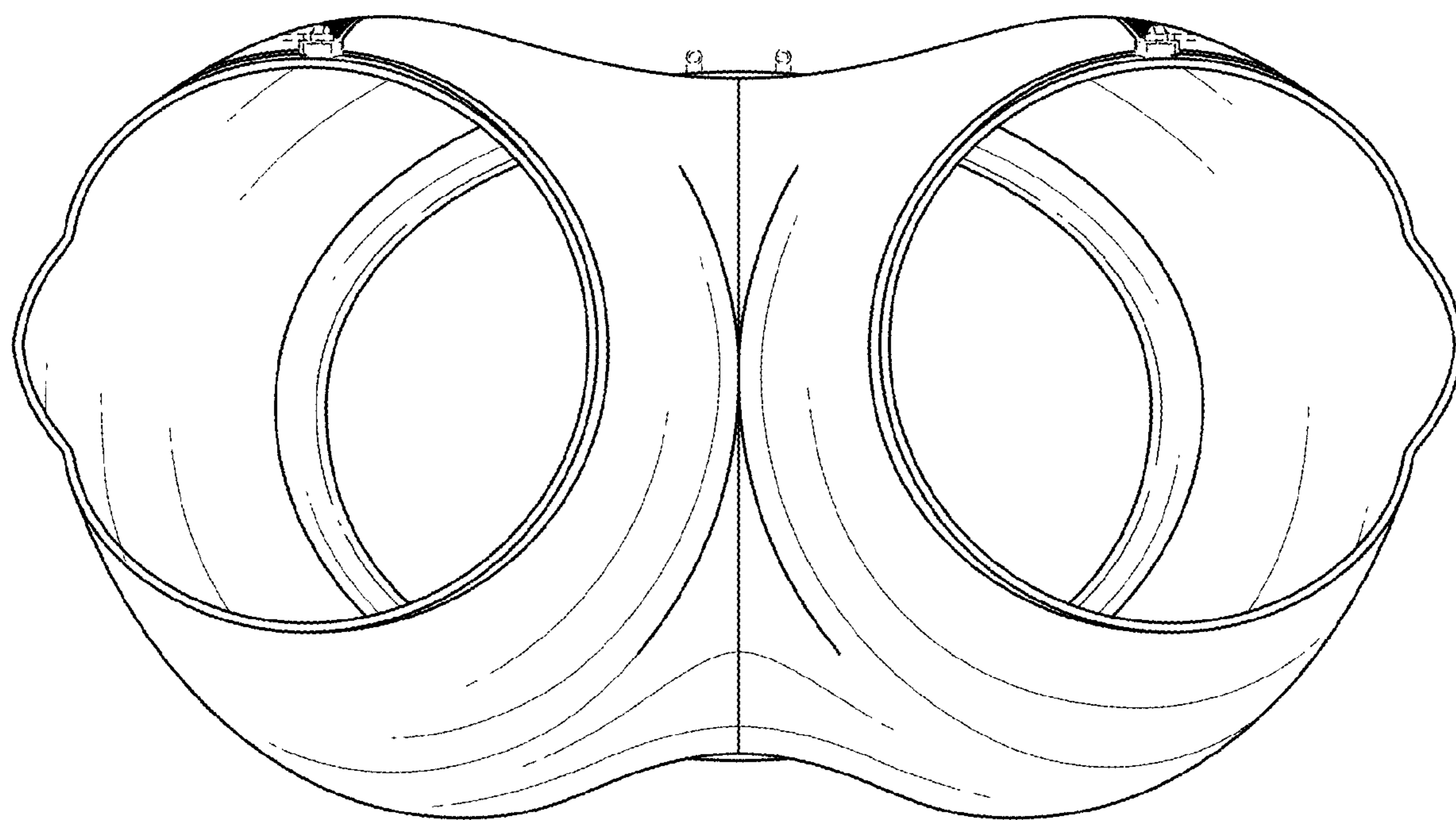


FIG. 7

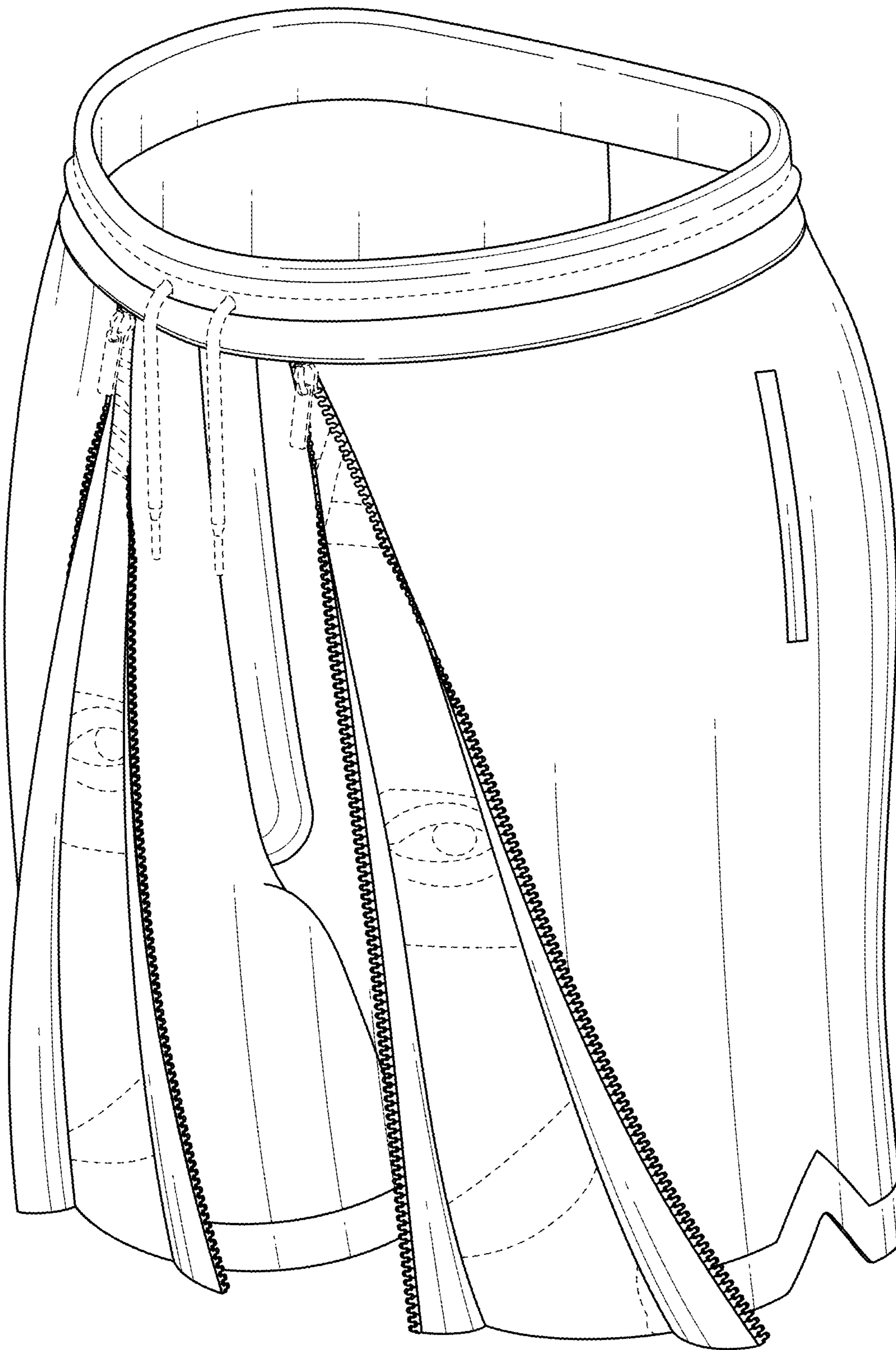


FIG. 8



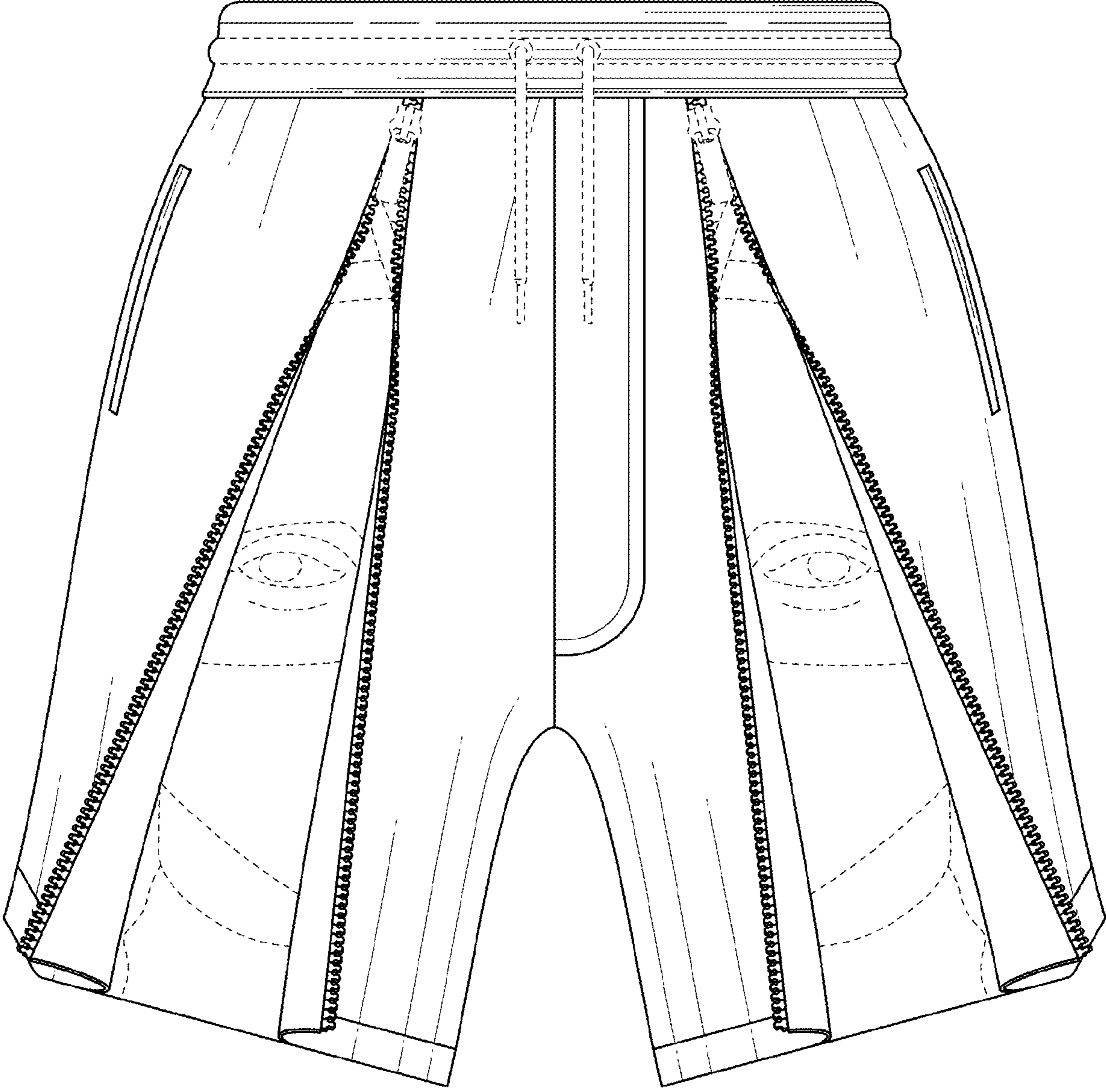


FIG. 9

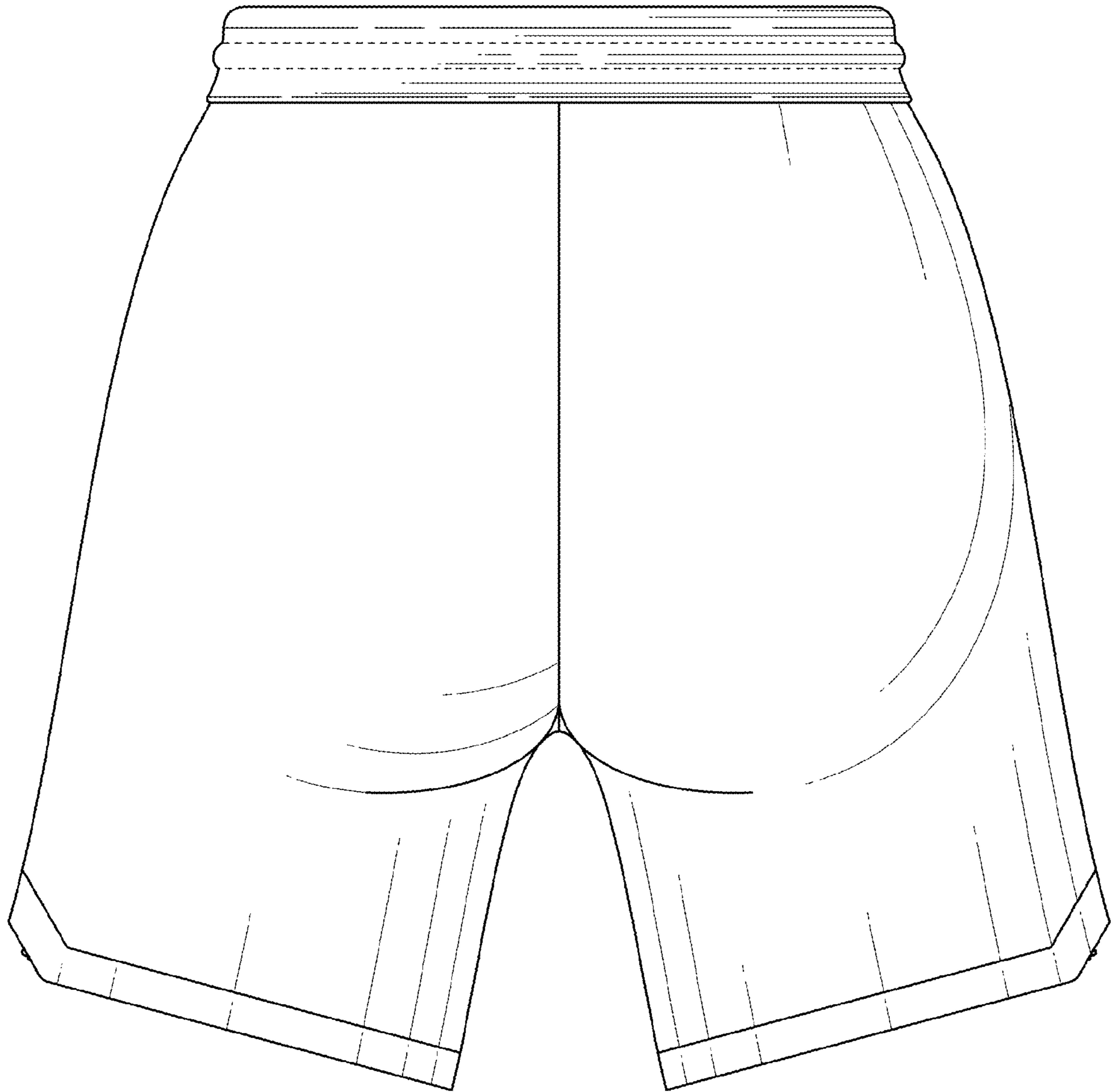


FIG. 10

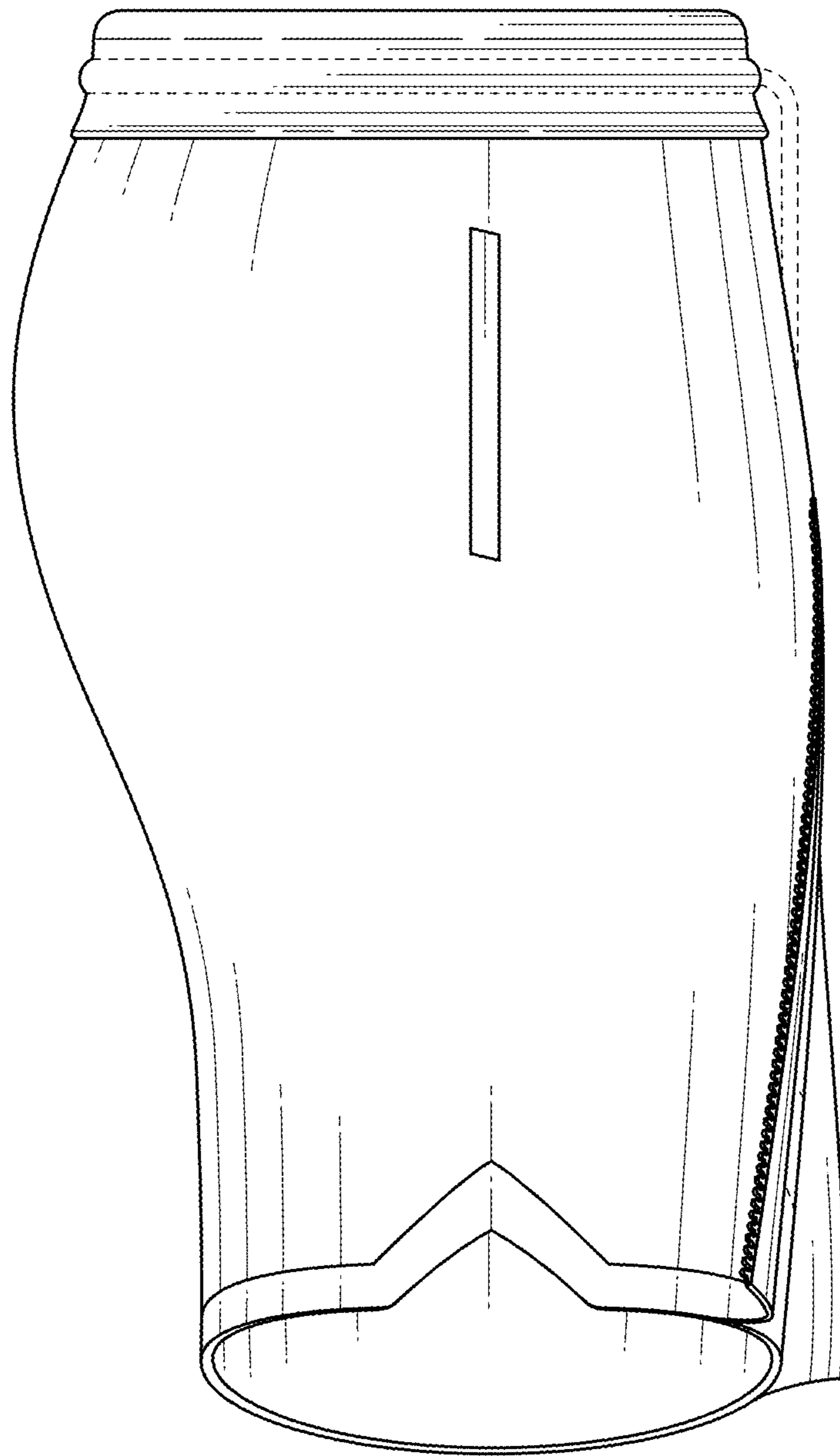


FIG. 11



FIG. 12

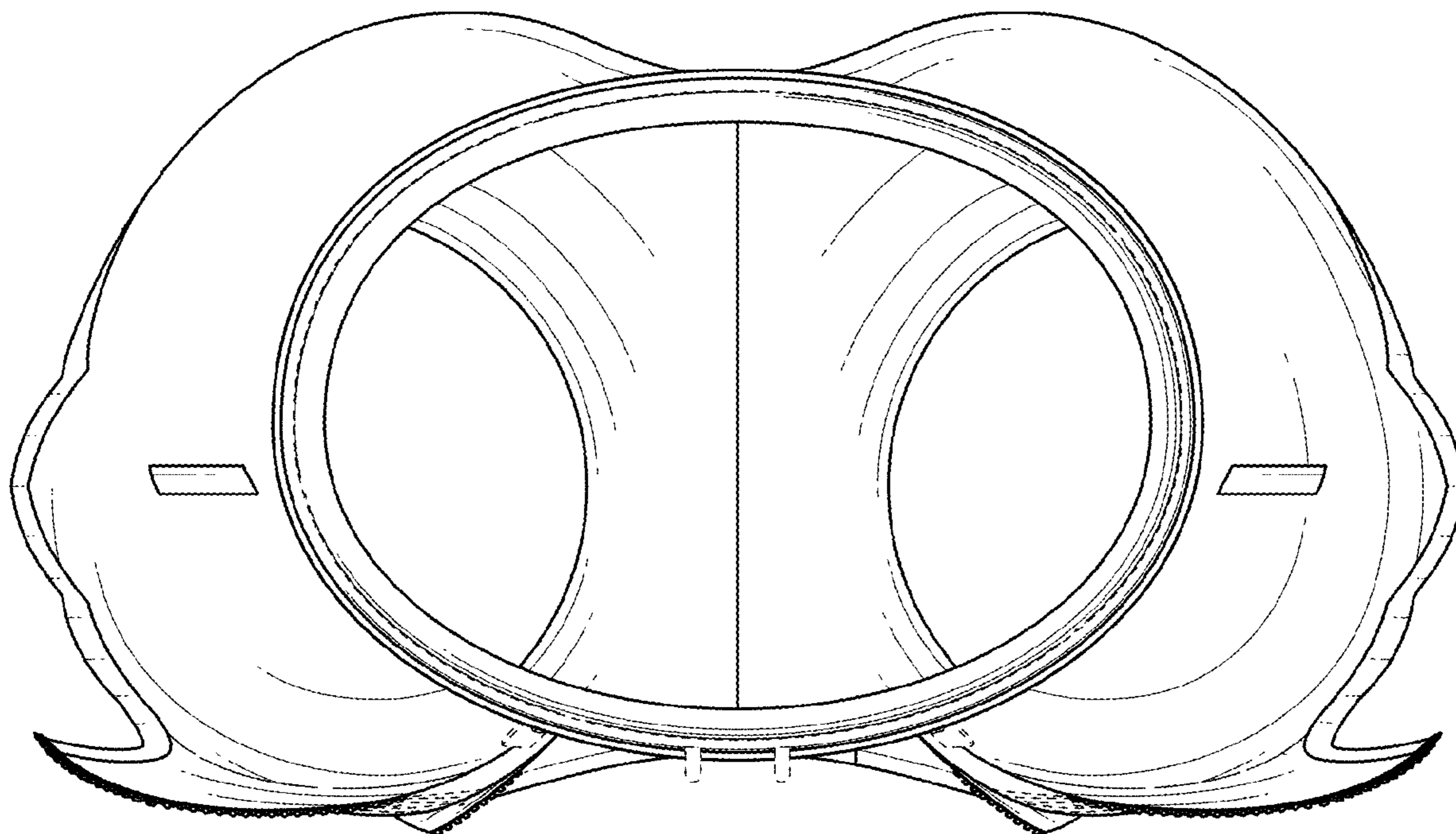


FIG. 13

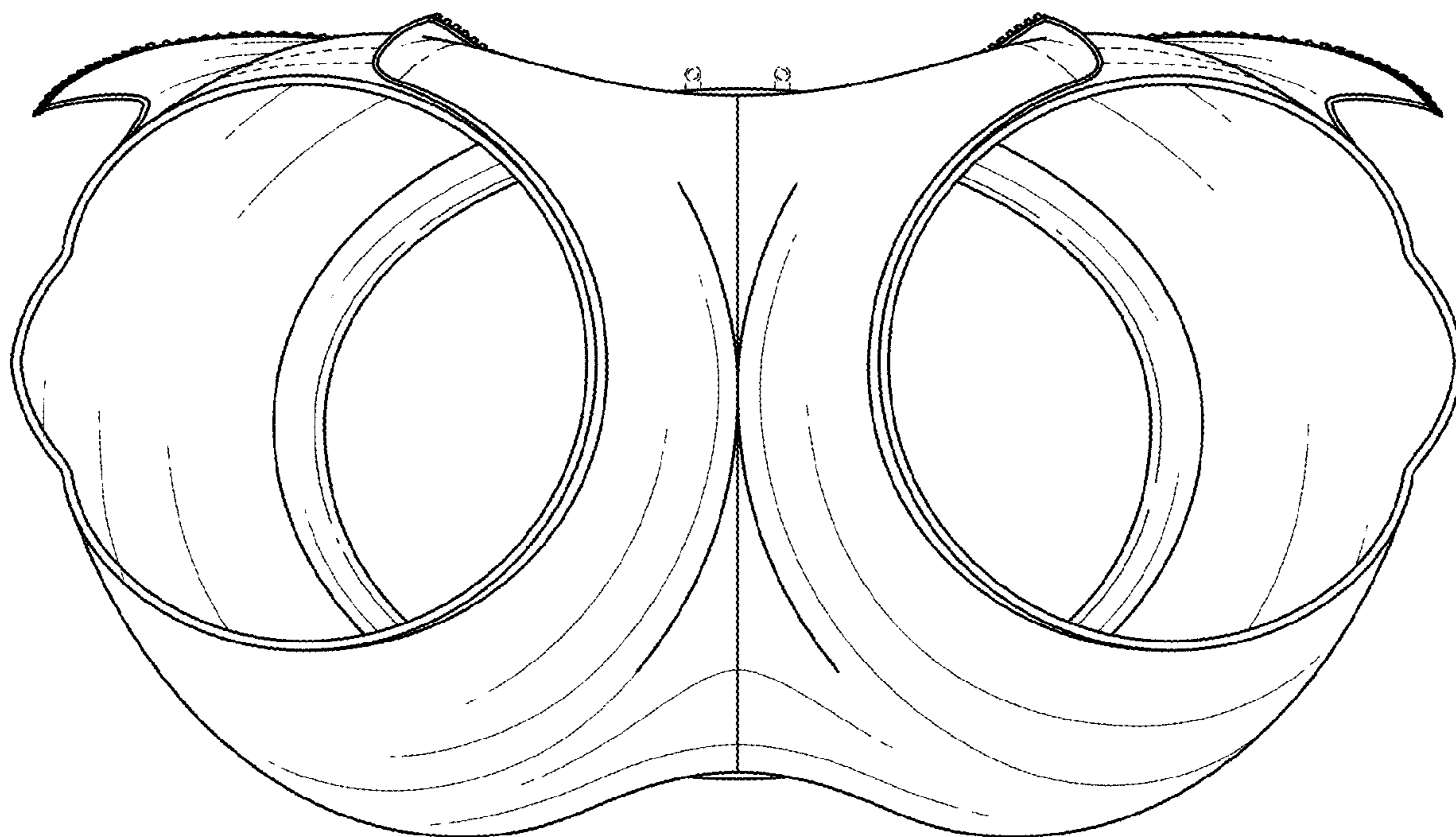


FIG. 14