



US00D941552S

(12) **United States Design Patent** (10) **Patent No.:** **US D941,552 S**
Baikie (45) **Date of Patent:** **** Jan. 25, 2022**

(54) **FIRE HYDRANT PET TREAT**
(71) Applicant: **Redbarn Pet Products, LLC.**, Long Beach, CA (US)
(72) Inventor: **Jeffrey Baikie**, Seal Beach, CA (US)
(73) Assignee: **REDBARN PET PRODUCTS, LLC.**, Long Beach, CA (US)
(**) Term: **15 Years**

D608,214 S 1/2010 Kuzma
D615,256 S 5/2010 Emerson
D618,555 S 6/2010 Adams
D631,134 S * 1/2011 German D23/234
D673,002 S 12/2012 Hollinger
D734,585 S 7/2015 Brennan
D739,196 S * 9/2015 Mohr D8/38
9,217,242 B1 * 12/2015 Jones E03B 9/04
9,290,916 B2 * 3/2016 Hoogerhyde F16L 37/244
D847,948 S 5/2019 Goerd
D852,332 S 6/2019 Burton
(Continued)

(21) Appl. No.: **29/777,608**
(22) Filed: **Apr. 7, 2021**

OTHER PUBLICATIONS

Buddy's Dog Toys; <https://www.buddysdogtoys.com/about/>; accessed Jul. 15, 2019; 5 pgs.

(Continued)

Related U.S. Application Data

(62) Division of application No. 29/698,268, filed on Jul. 16, 2019, now Pat. No. Des. 930,283.
(51) **LOC (13) Cl.** **01-01**
(52) **U.S. Cl.**
USPC **D1/199; D30/160**
(58) **Field of Classification Search**
USPC D30/158-160; D1/126-128, 106-107, D1/113, 199
CPC A01K 15/026; A23K 50/40; A23K 50/42; A23K 40/20; A23K 40/00
See application file for complete search history.

Primary Examiner — Sheryl Lane
Assistant Examiner — Aula Soroush
(74) *Attorney, Agent, or Firm* — Foley & Lardner LLP; Sunit Talapatra

(57) **CLAIM**

I claim the ornamental design for a fire hydrant pet treat, as shown and described.

DESCRIPTION

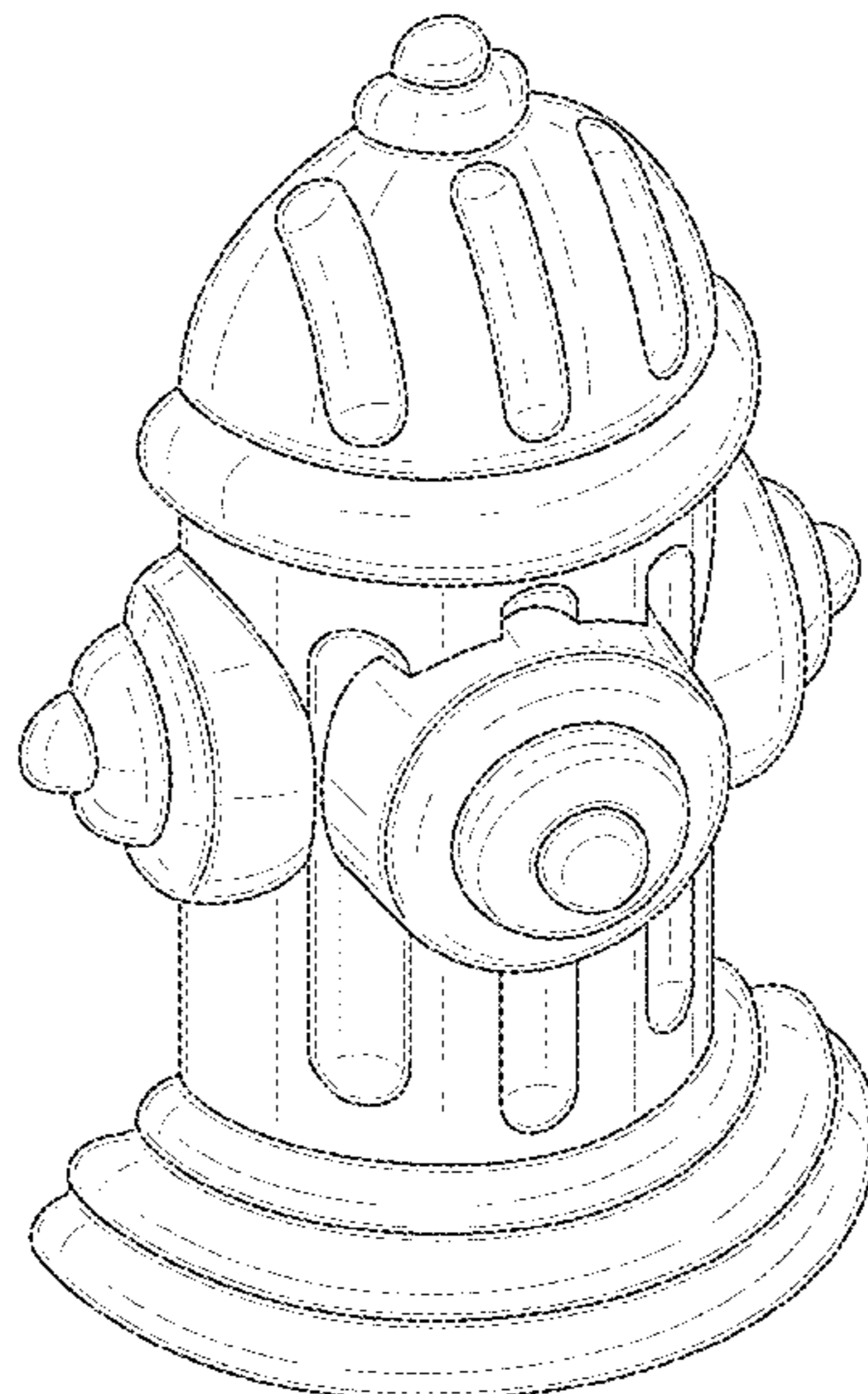
FIG. 1 is a perspective view of a fire hydrant pet treat showing my new design;
FIG. 2 is a rear perspective view thereof;
FIG. 3 is a front view thereof;
FIG. 4 is a rear view thereof;
FIG. 5 is a right side view thereof;
FIG. 6 is a left side view thereof;
FIG. 7 is a top view thereof; and,
FIG. 8 is a bottom view thereof.
The dot-dash lines in the drawings illustrate the bounds of the claim which form no part of the claimed design.

(56) **References Cited**

U.S. PATENT DOCUMENTS

D81,994 S * 9/1930 Peterson D1/113
D92,508 S * 6/1934 Vermylen D1/106
D189,660 S * 1/1961 Werner D1/113
D240,062 S 5/1976 Satten
D307,402 S 4/1990 Rouse, Jr. et al.
D328,620 S 8/1992 Maple
D480,243 S 10/2003 Edwards et al.
D515,773 S * 2/2006 Haro D1/106
D540,180 S 4/2007 Edwards
D581,105 S * 11/2008 Niskanen D30/153

1 Claim, 7 Drawing Sheets



(56)

References Cited

U.S. PATENT DOCUMENTS

D853,842 S 7/2019 Yao
D862,960 S 10/2019 Bowling
D930,283 S * 9/2021 Baikie D30/160
2013/0008389 A1 1/2013 Teconchuk

OTHER PUBLICATIONS

Chewy.com Starmark Everlasting Treat—Fire Plug Chew Toy; <https://www.chewy.com/starmark-everlasting-treat-fire-plug/dp/45436>; accessed Jul. 15, 2019; 12 pgs.

Kong Company—Clicks Hydrant; <https://www.kongcompany.com/clicks-hydrant>; accessed Jul. 15, 2019; 23 pgs.

Sunshine Pet Treats—Pet Life Premium Dog Biscuits Multi Flavored Fire Hydrant; <http://www.num-records.com/treats/cookies-biscuits/snacks/sunshine-pet-treats-pet-life-premium-dog-biscuits-multi-flavored-fire-hydrant-fc2688f61c43193-186.html>; accessed Jul. 15, 2019; 25 pgs.

Dottie’s Dog Treats; <https://dottiesdogtreats.com/product/everyday-treat-hydrant/>; accessed Jul. 15, 2019; 5 pgs.

Mueller Company; <https://www.muellercompany.com/water-works/hydrants/fire-hydrants/integral-storz-connection/>; accessed Jul. 15, 2019; 1 pg.

* cited by examiner

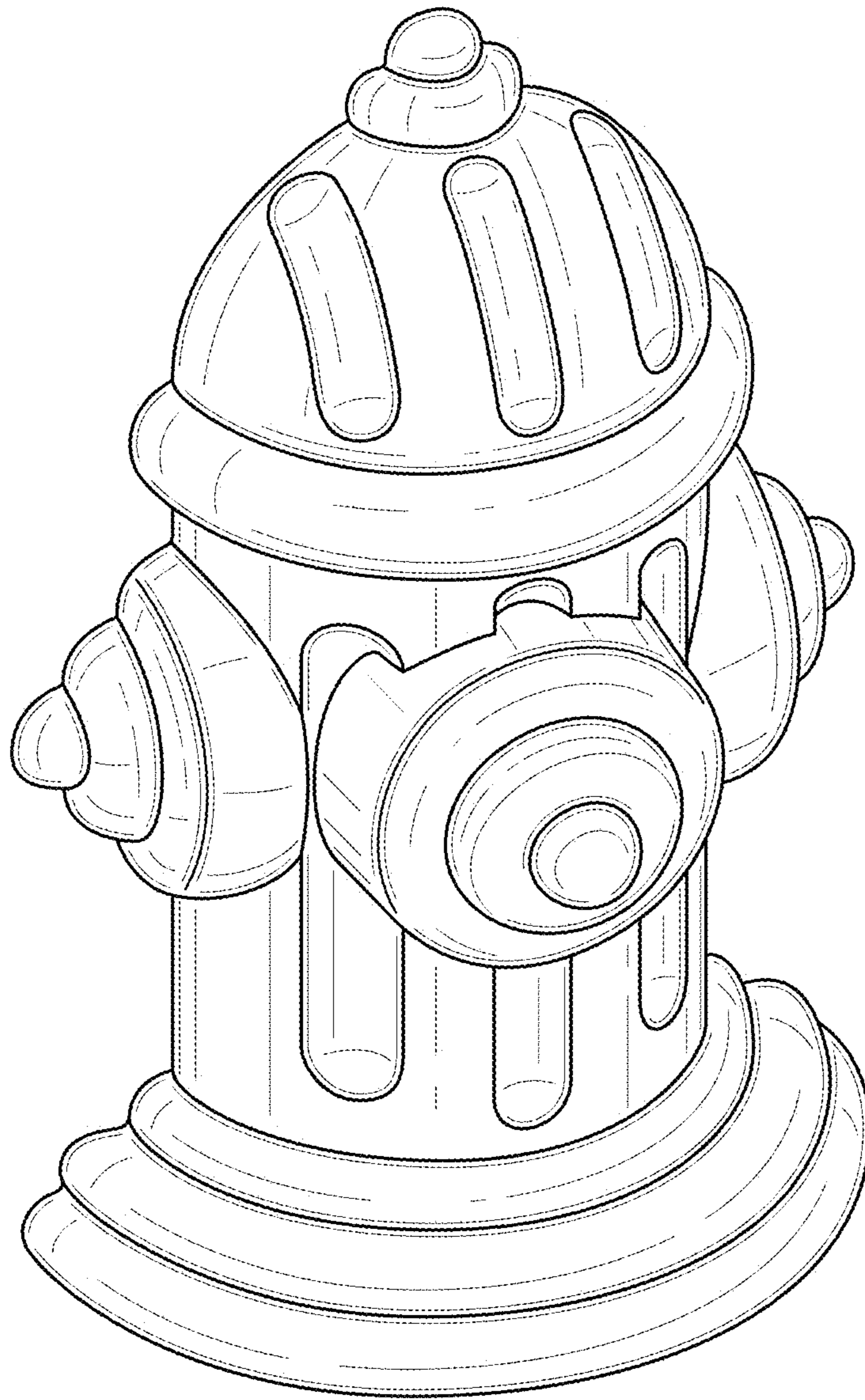


FIG. 1

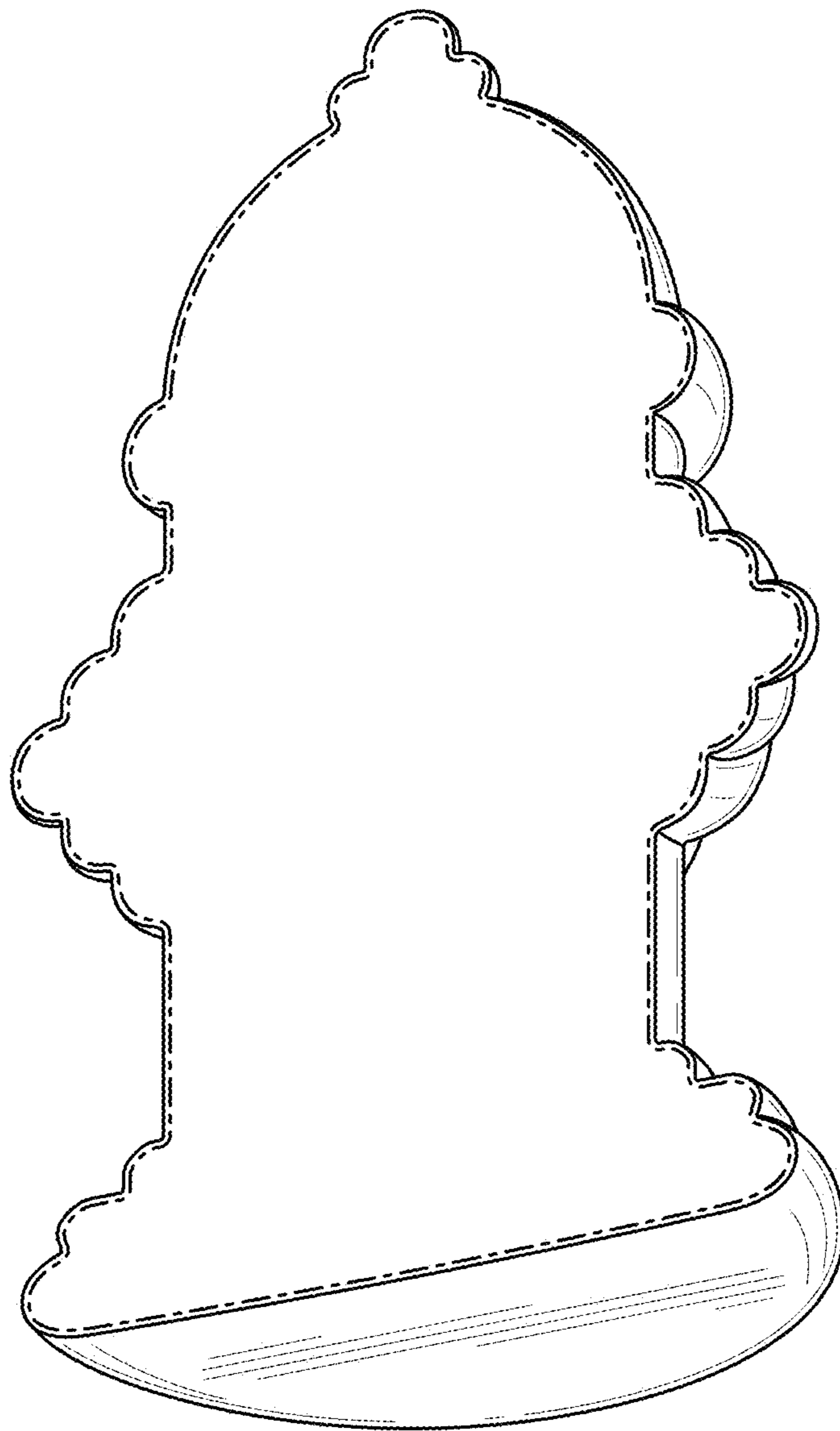


FIG. 2

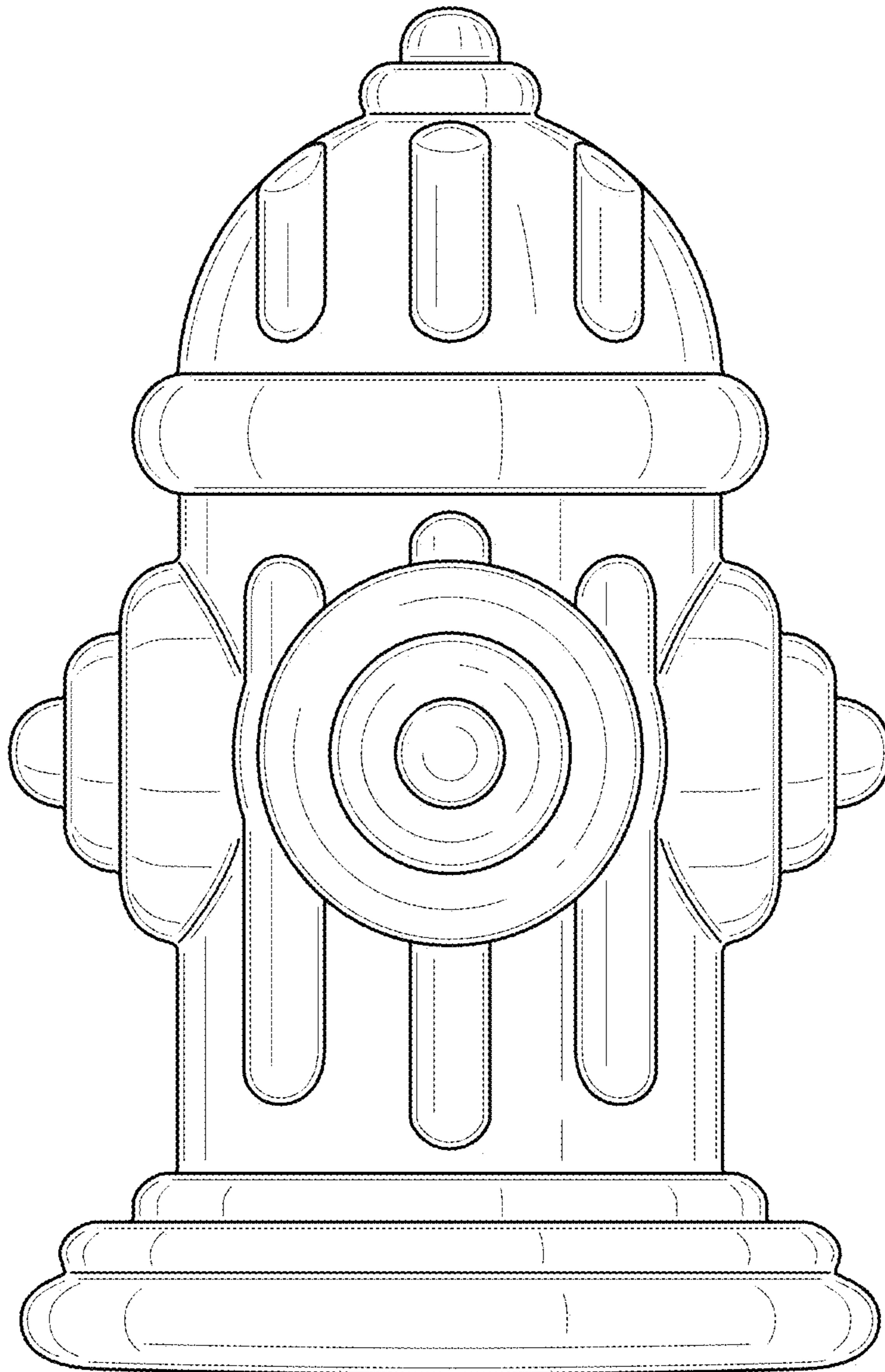


FIG. 3

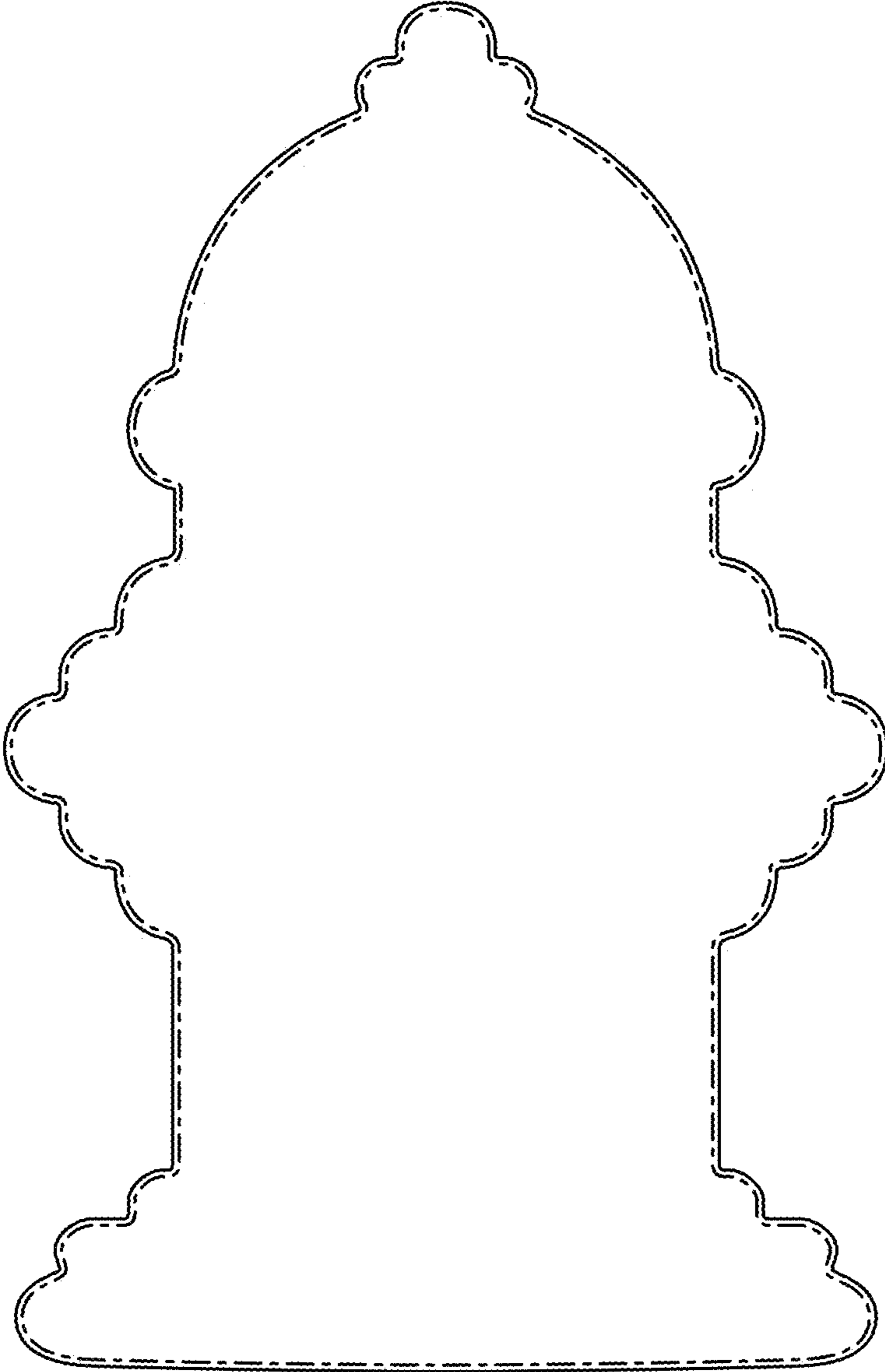


FIG. 4

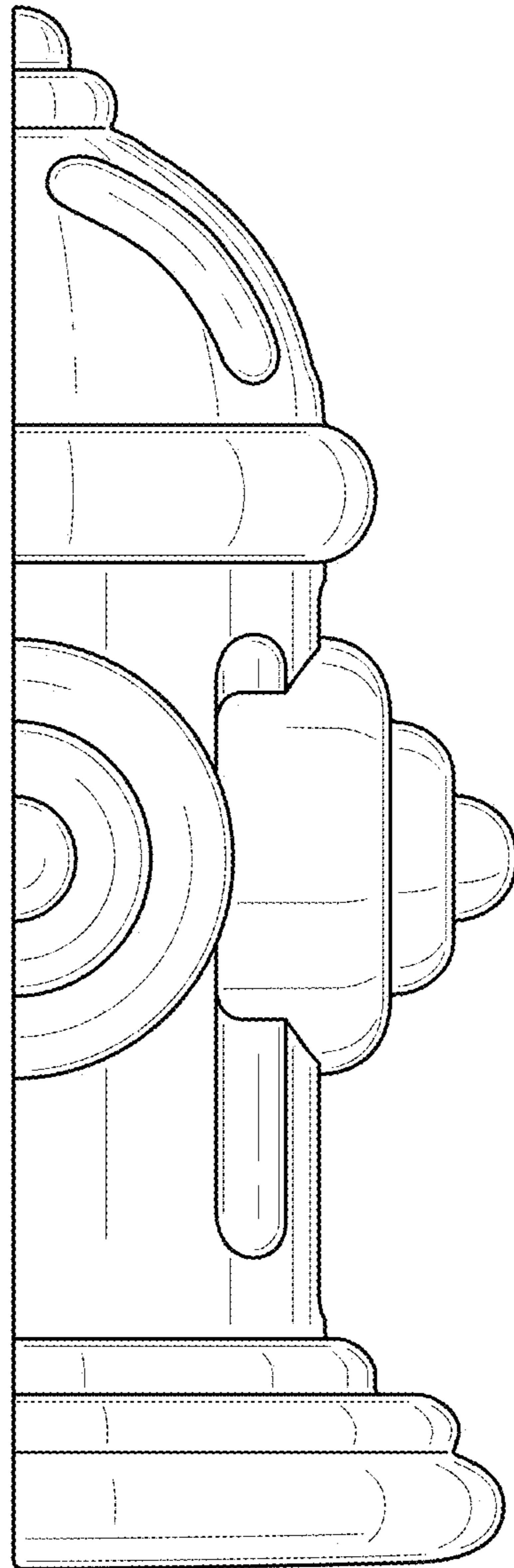


FIG. 5

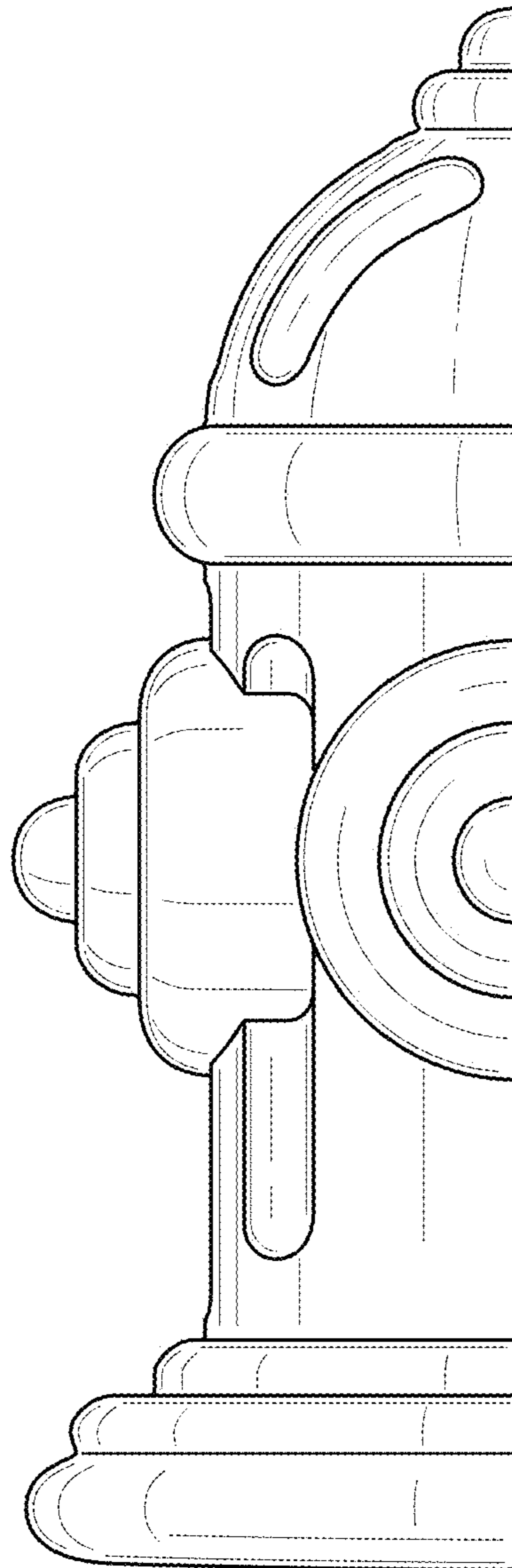


FIG. 6

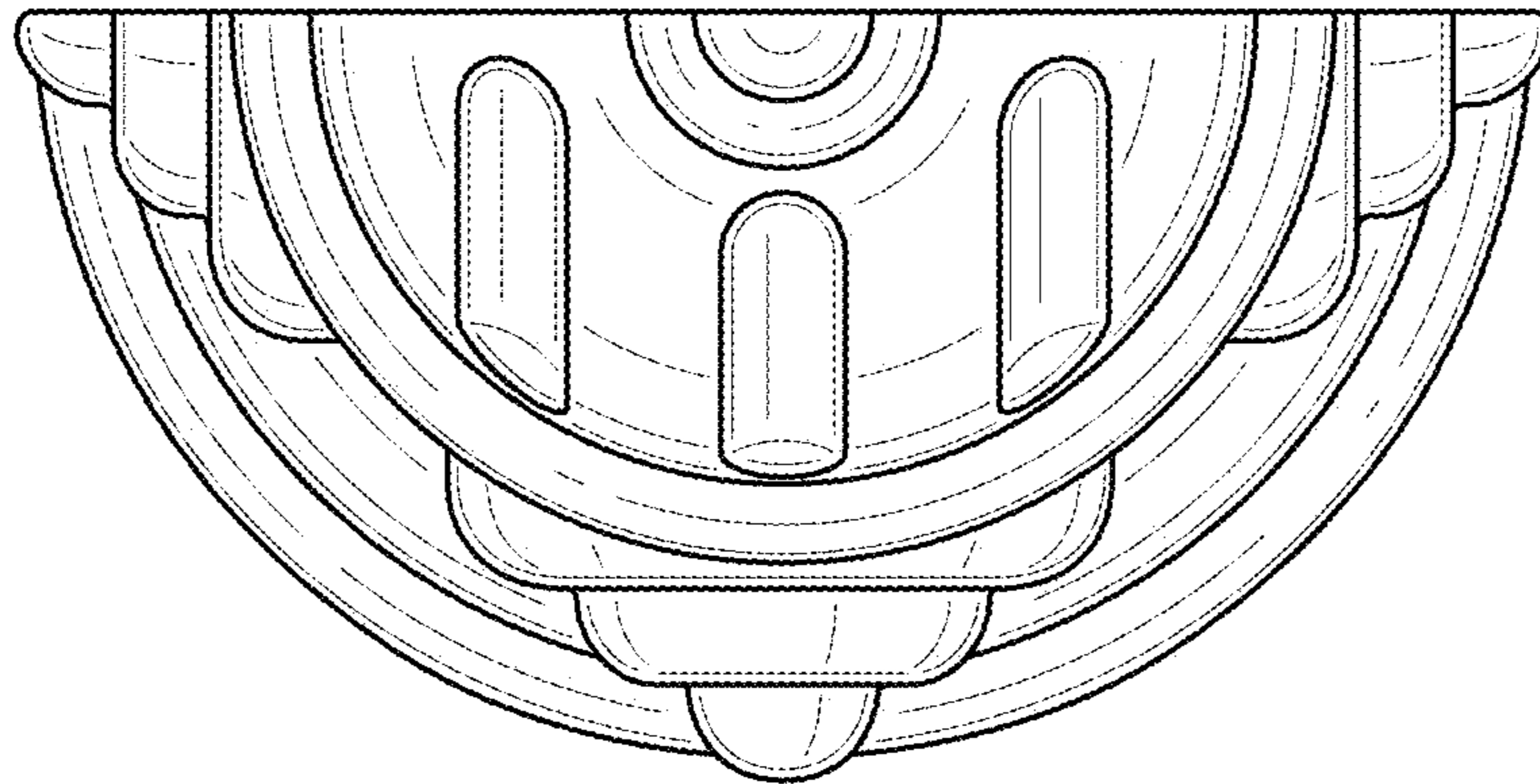


FIG. 7

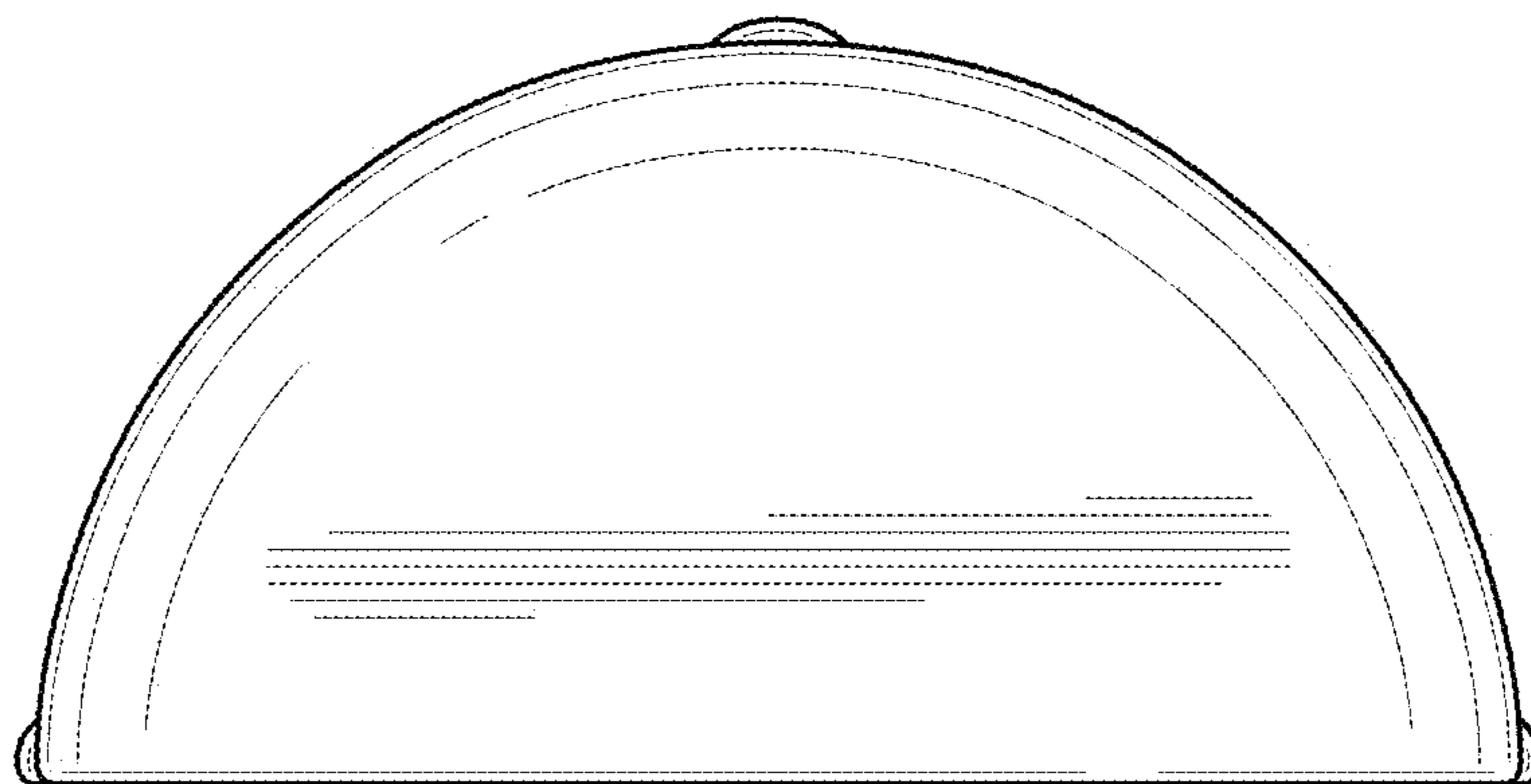


FIG. 8