



US00D941548S

(12) **United States Design Patent**  
**Ebling et al.**

(10) **Patent No.:** **US D941,548 S**  
(45) **Date of Patent:** **\*\* Jan. 18, 2022**

- (54) **SHOPPING CART HANDLE**
- (71) Applicant: **Retail Design Services, LLC**,  
Northfield, MN (US)
- (72) Inventors: **John Robert Ebling**, Northfield, MN  
(US); **Gary Robert Ebling**, Northfield,  
MN (US)
- (73) Assignee: **Retail Design Services, LLC**,  
Northfield, MN (US)
- (\*\*) Term: **15 Years**

D644,809	S	*	9/2011	Walter	.....	D34/21
D645,222	S	*	9/2011	Walter	.....	D34/21
D645,631	S	*	9/2011	Walter	.....	D34/21
D684,744	S	*	6/2013	Walter	.....	D34/27
RE45,915	E	*	3/2016	Walter	.....	D34/21
D756,586	S	*	5/2016	Magnusson	.....	D34/21
D785,271	S	*	4/2017	Walter	.....	D34/21
D805,711	S	*	12/2017	Magnusson	.....	D34/21
D839,525	S	*	1/2019	Magnusson	.....	D34/21
D878,000	S	*	3/2020	Walter	.....	D34/27
D893,823	S	*	8/2020	Walter	.....	D34/21
D895,920	S	*	9/2020	Villanova Abadia	.....	D34/21
D914,317	S	*	3/2021	Ebling	.....	D34/21
D914,318	S	*	3/2021	Ebling	.....	D34/21
2020/0148245	A1	*	5/2020	Harrison	.....	B62B 5/0006

- (21) Appl. No.: **29/775,402**
- (22) Filed: **Mar. 23, 2021**

**Related U.S. Application Data**

- (63) Continuation-in-part of application No. 29/699,442,  
filed on Jul. 25, 2019, now Pat. No. Des. 914,318, and  
a continuation-in-part of application No. 29/680,124,  
filed on Feb. 13, 2019, now Pat. No. Des. 914,317.
- (51) **LOC (13) Cl.** ..... **12-02**
- (52) **U.S. Cl.**  
USPC ..... **D34/27**
- (58) **Field of Classification Search**  
USPC ..... D34/12-27; D3/313, 309  
CPC .. B62B 1/002; B62B 3/00; B62B 3/02; B62B  
3/14  
See application file for complete search history.

(56) **References Cited**

**U.S. PATENT DOCUMENTS**

D606,723	S	*	12/2009	Walter	.....	D34/20
D633,269	S	*	2/2011	Walter	.....	D34/21
D638,602	S	*	5/2011	Walter	.....	D34/21
D639,521	S	*	6/2011	Walter	.....	D34/21
D644,393	S	*	8/2011	Walter	.....	D34/21

\* cited by examiner

*Primary Examiner* — George A Bugg  
*Assistant Examiner* — Tamara L Hahn

(74) *Attorney, Agent, or Firm* — Westman, Champlin &  
Koehler, PA

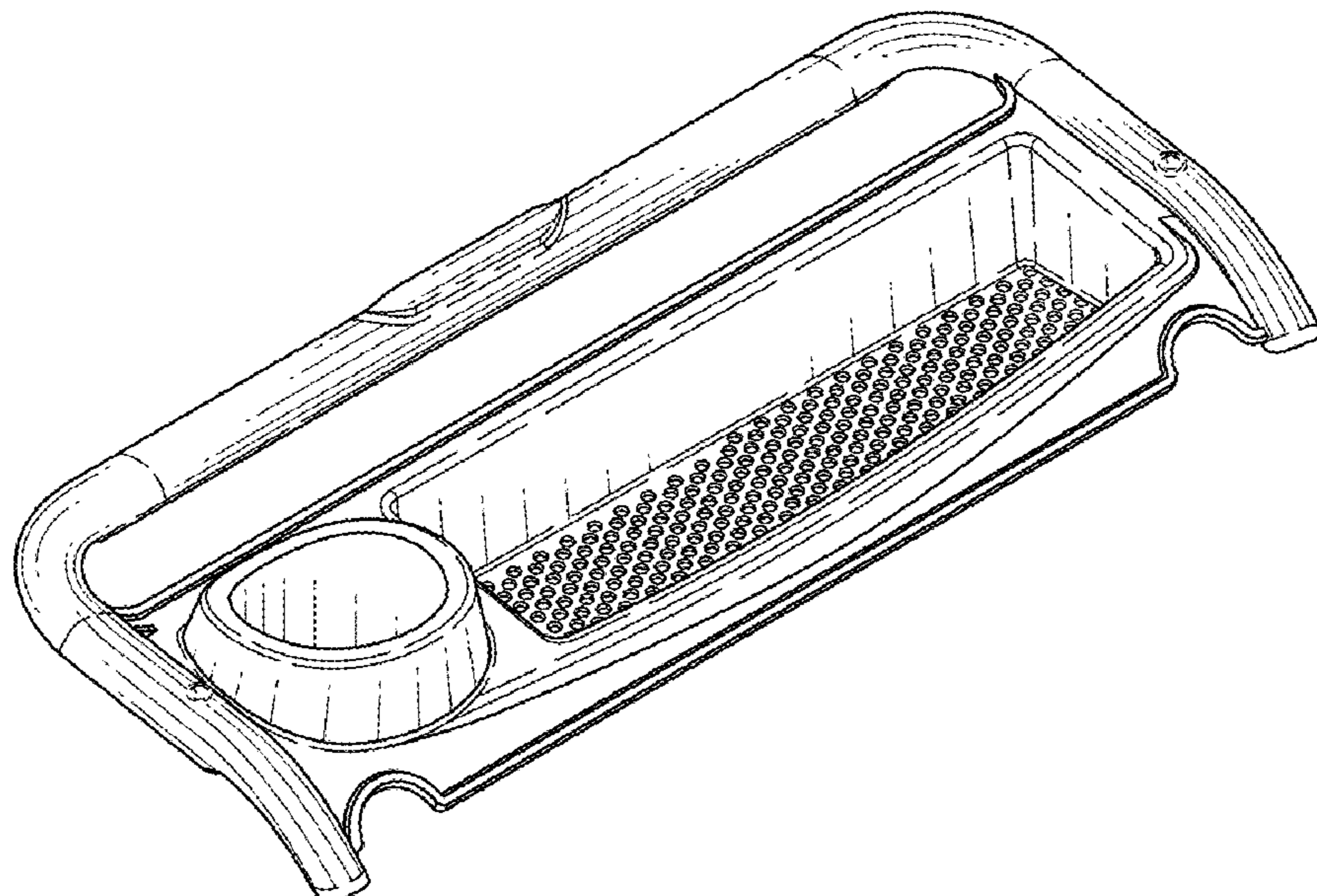
(57) **CLAIM**

The ornamental design for a shopping cart handle, as shown  
and described.

**DESCRIPTION**

FIG. 1 is an isometric view of a shopping cart handle;  
FIG. 2 is a front view thereof;  
FIG. 3 is a rear view thereof;  
FIG. 4 is a side view thereof as taken from the left side of  
FIG. 2;  
FIG. 5 is a side view thereof as taken from the right side of  
FIG. 2;  
FIG. 6 is a top view thereof; and,  
FIG. 7 is a bottom view thereof.  
The broken lines shown in the drawings illustrate portions of  
the shopping cart handle that form no part of the claimed  
design.

**1 Claim, 2 Drawing Sheets**



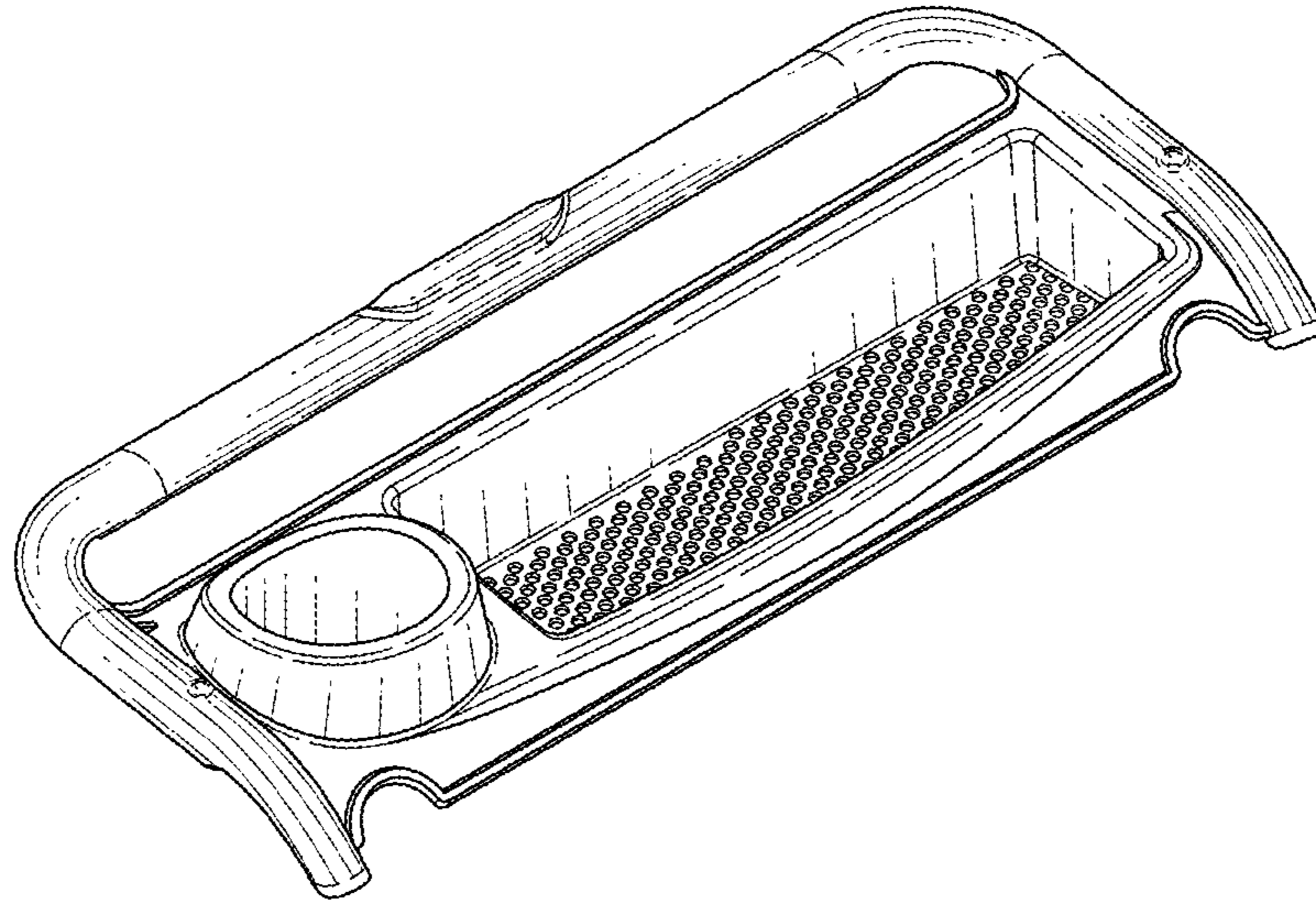


FIG. 1

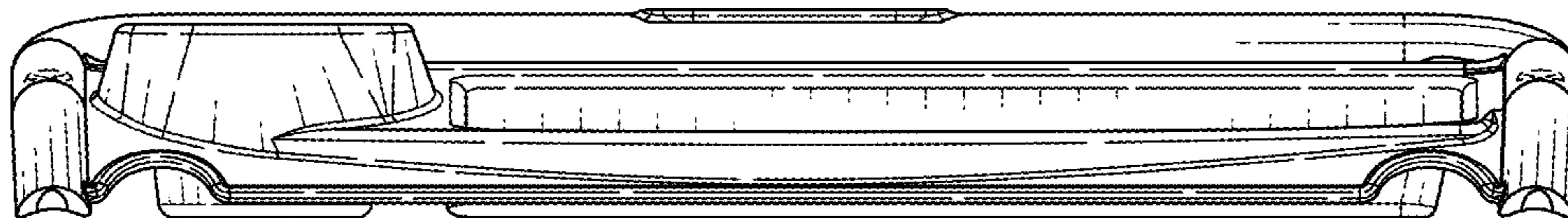


FIG. 2

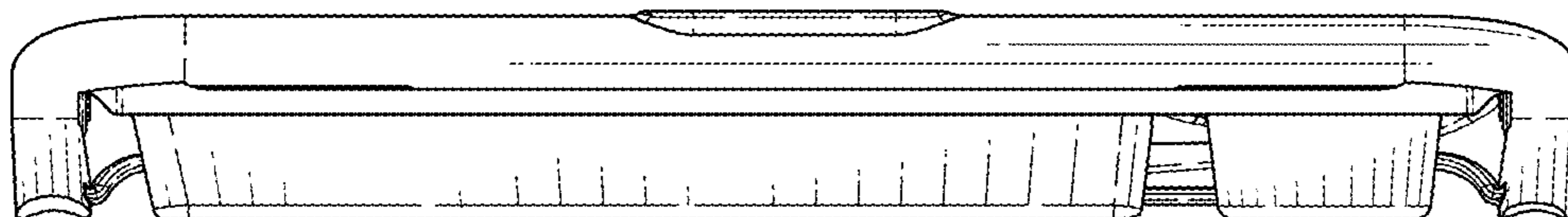


FIG. 3



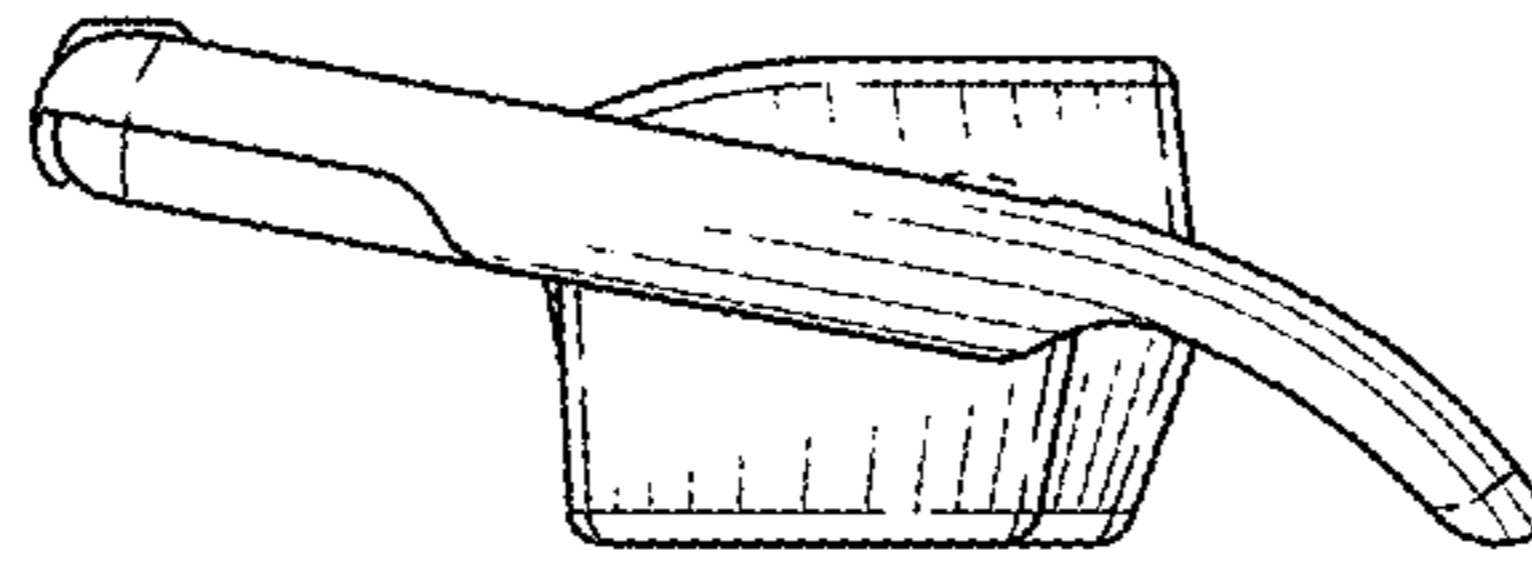


FIG. 4

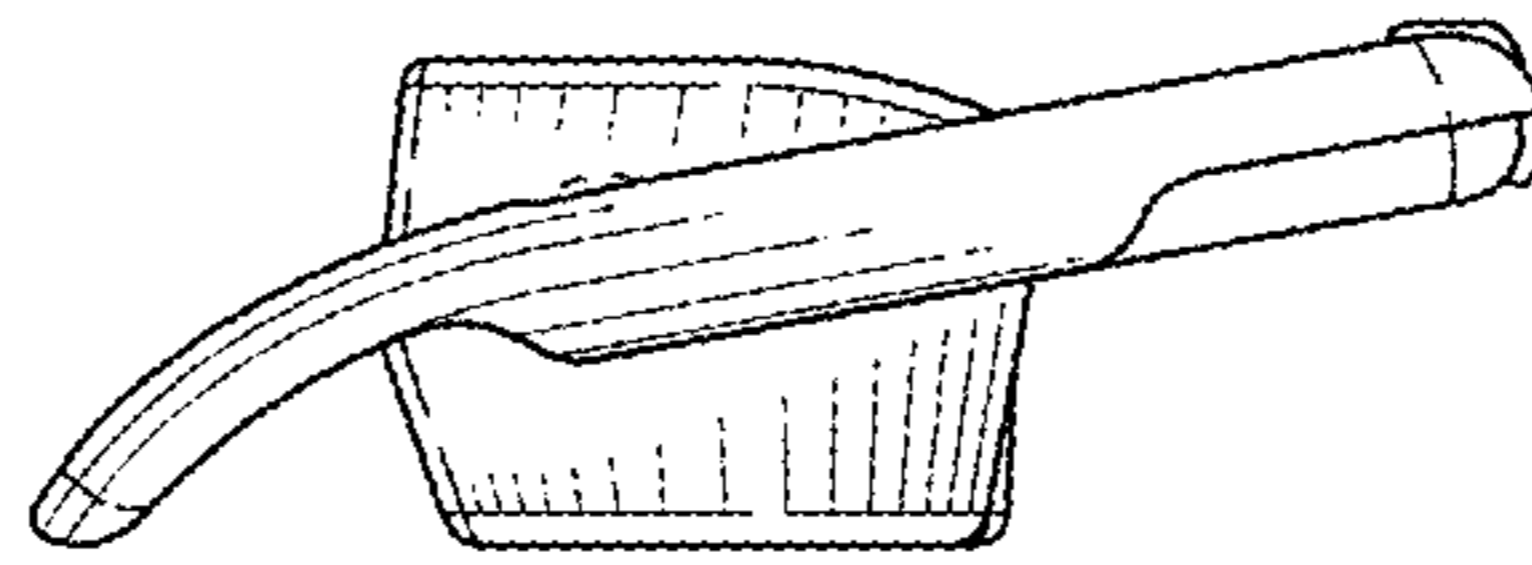


FIG. 5

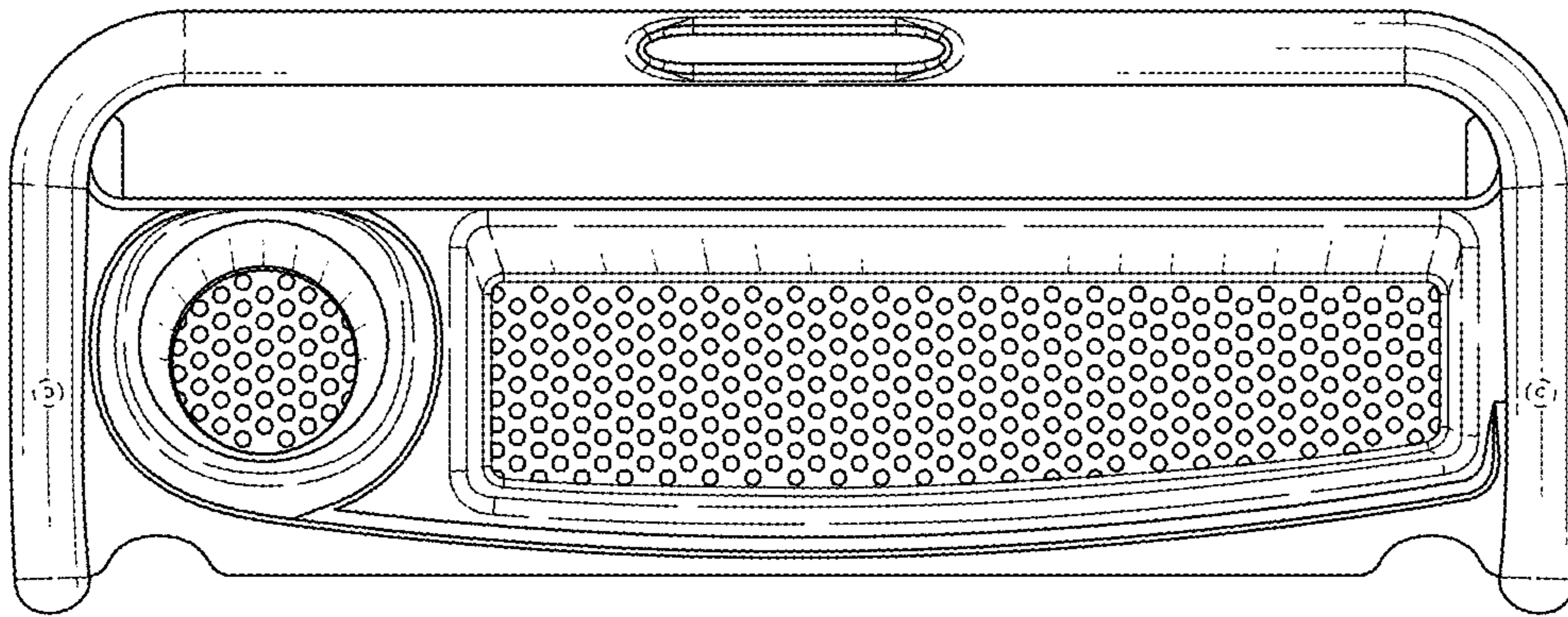


FIG. 6

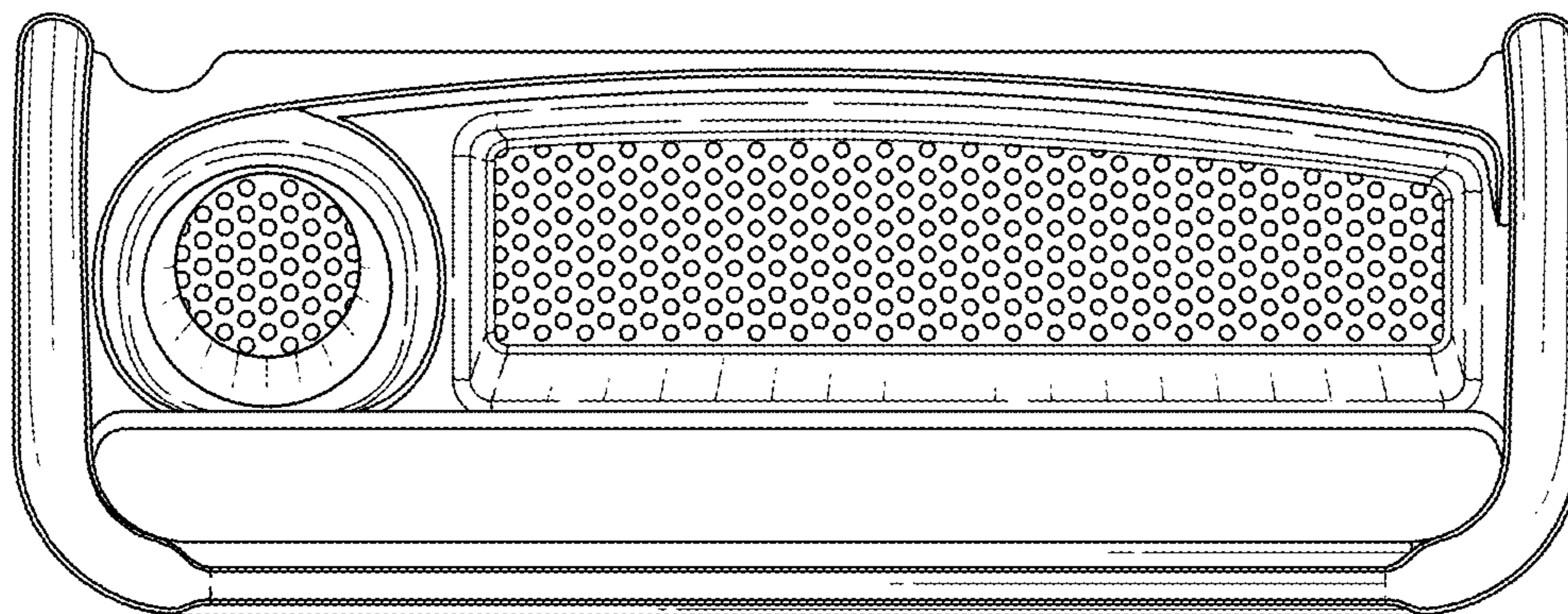


FIG. 7