



US00D941547S

(12) **United States Design Patent** (10) **Patent No.:** **US D941,547 S**
Nelson (45) **Date of Patent:** **** Jan. 18, 2022**

(54) **SHOPPING CART BASKET**
(71) Applicant: **Chresten Nelson**, Riverside, CA (US)
(72) Inventor: **Chresten Nelson**, Riverside, CA (US)
(**) Term: **15 Years**
(21) Appl. No.: **29/723,042**
(22) Filed: **Feb. 4, 2020**
(51) **LOC (13) Cl.** **12-02**
(52) **U.S. Cl.**
USPC **D34/27**
(58) **Field of Classification Search**
USPC D34/12, 17, 20, 21; D25/48.8, 110, 111
CPC B62B 1/186; B62B 1/125; B62B 1/262;
B62B 1/264; B62B 1/14; B62B 3/02;
B62B 3/06; B62B 3/10; B62B 3/14;
B62B 3/006; B62B 5/0438; B62B 1/12;
B62B 1/20
See application file for complete search history.

D643,175 S 8/2011 Peota et al.
D644,393 S * 8/2011 Walter D34/21
D644,809 S * 9/2011 Walter D34/21
D644,810 S * 9/2011 Peota D34/27
D656,288 S 3/2012 Walter
D656,700 S 3/2012 Walter
D663,091 S * 7/2012 Walter B62B 3/14
D34/27

(Continued)

Primary Examiner — Cynthia Ramirez
(74) *Attorney, Agent, or Firm* — Kirk A. Buhler; Buhler & Associates Patenting

(57) **CLAIM**

The ornamental design for a shopping cart basket, as shown and described.

DESCRIPTION

FIG. 1 is an enlarged top plan view of the portion shown in FIG. 6 of the shopping cart basket;
FIG. 2 is a top front perspective view thereof;
FIG. 3 is a front elevation view thereof;
FIG. 4 is a rear elevation view thereof;
FIG. 5 is a left side elevation view, the right-side elevation view being a mirror image thereof;
FIG. 6 is a top plan view thereof;
FIG. 7 is a bottom view thereof;
FIG. 8 is another top front perspective view thereof, in an alternate condition of use;
FIG. 9 is a front elevation view thereof;
FIG. 10 is a rear elevation view thereof;
FIG. 11 is a left side elevation view, the right-side elevation view being a mirror image thereof;
FIG. 12 is a top plan view thereof; and,
FIG. 13 is a bottom view thereof.

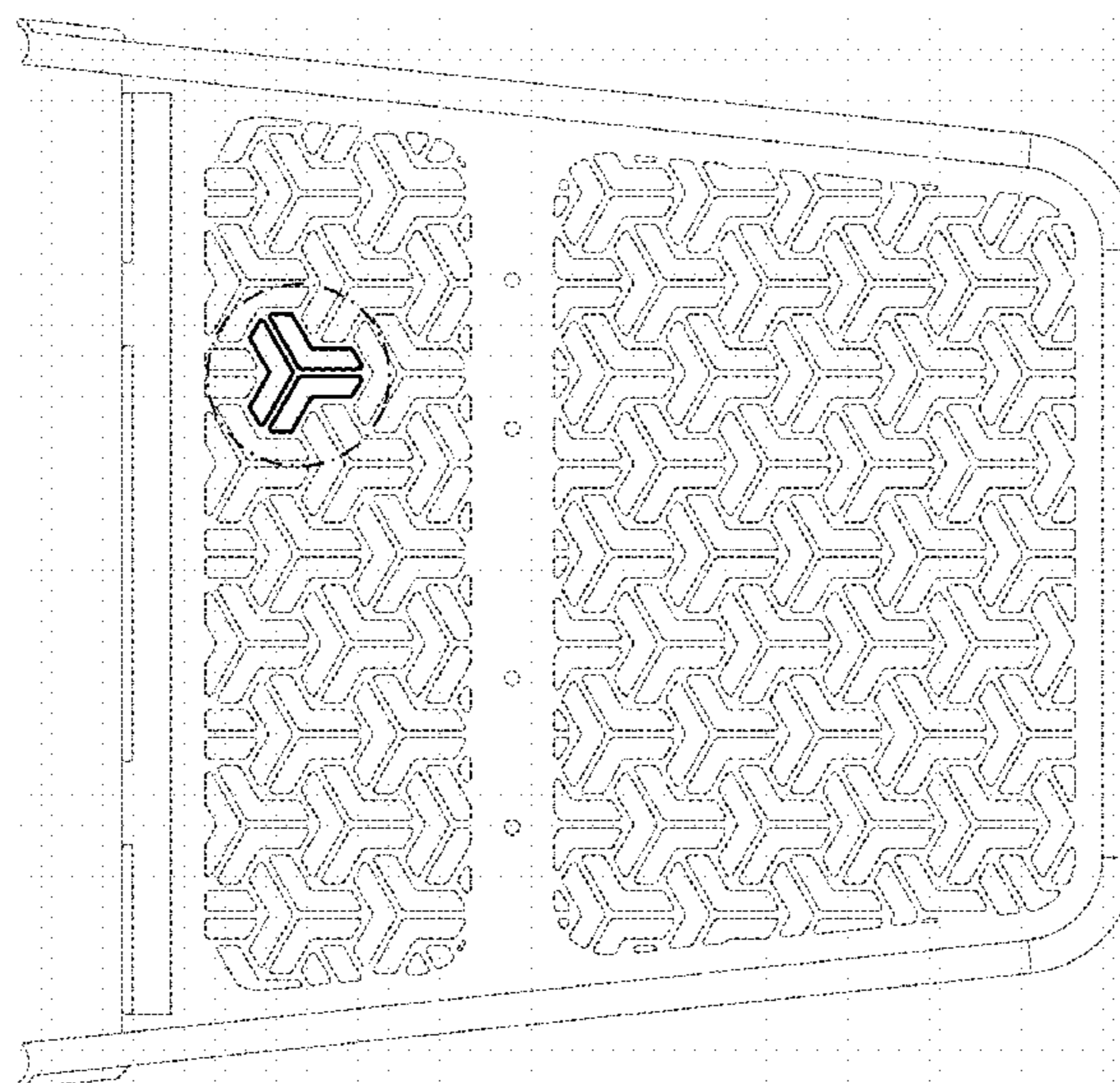
The broken lines in the figures show portions of the shopping cart, which form no part of the claimed design. The dash-dot broken lines show enlarged areas, and form no part of the claimed design.

(56) **References Cited**

U.S. PATENT DOCUMENTS

D296,259 S * 6/1988 Rehrig D34/27
D400,679 S * 11/1998 Kern B62B 3/146
D34/27
D530,478 S * 10/2006 Splain B62B 3/14
D34/27
D538,501 S 3/2007 Walter
D540,998 S * 4/2007 Splain D34/17
D546,021 S * 7/2007 Splain D34/27
D550,423 S * 9/2007 Splain D34/12
D564,172 S * 3/2008 Steinhobel D34/12
D575,472 S * 8/2008 Splain D34/27
D580,619 S * 11/2008 Walter D34/21
D605,823 S * 12/2009 Walter D34/20
D606,723 S * 12/2009 Walter D34/20
D628,759 S 12/2010 Walter
D633,269 S * 2/2011 Walter D34/21
D638,602 S 5/2011 Walter
D639,521 S * 6/2011 Walter D34/21

1 Claim, 9 Drawing Sheets



(56)

References Cited

U.S. PATENT DOCUMENTS

D684,744	S	6/2013	Walter	
D693,981	S	11/2013	Walter	
D700,762	S	3/2014	Walter	
D710,562	S	8/2014	Stauff et al.	
D747,587	S	1/2016	Stauff et al.	
RE45,915	E *	3/2016	Walter	D34/21
D756,586	S	5/2016	Magnusson	
RE46,268	E *	1/2017	Walter	D34/21
RE46,281	E *	1/2017	Walter	D34/27
D798,020	S *	9/2017	Magnusson	D34/27
D800,986	S	10/2017	Magnusson	
D805,711	S	12/2017	Magnusson	
D806,342	S	12/2017	Magnusson	
D839,525	S	1/2019	Magnusson	
D849,351	S *	5/2019	Harrison	D34/27
D895,920	S *	9/2020	Villanova Abadia	D34/21
D926,414	S *	7/2021	Villanova Abadia	D34/17
2006/0273535	A1 *	12/2006	O'Quin	B62B 3/14 280/33.991
2010/0276899	A1 *	11/2010	Burdwood	B62B 3/146 280/33.991
2019/0210625	A1 *	7/2019	Harrison	B62B 3/14

* cited by examiner

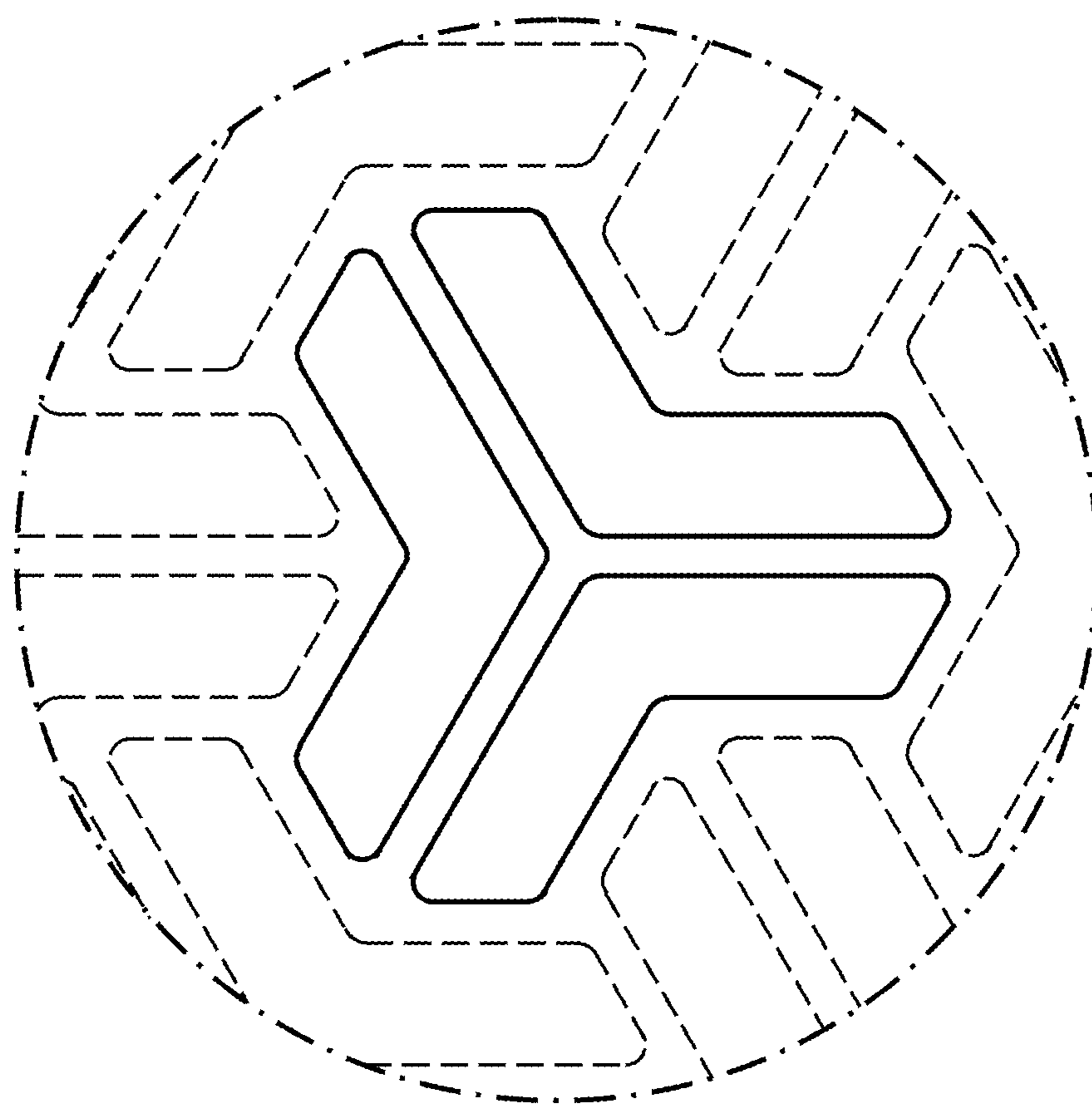


FIG. 1

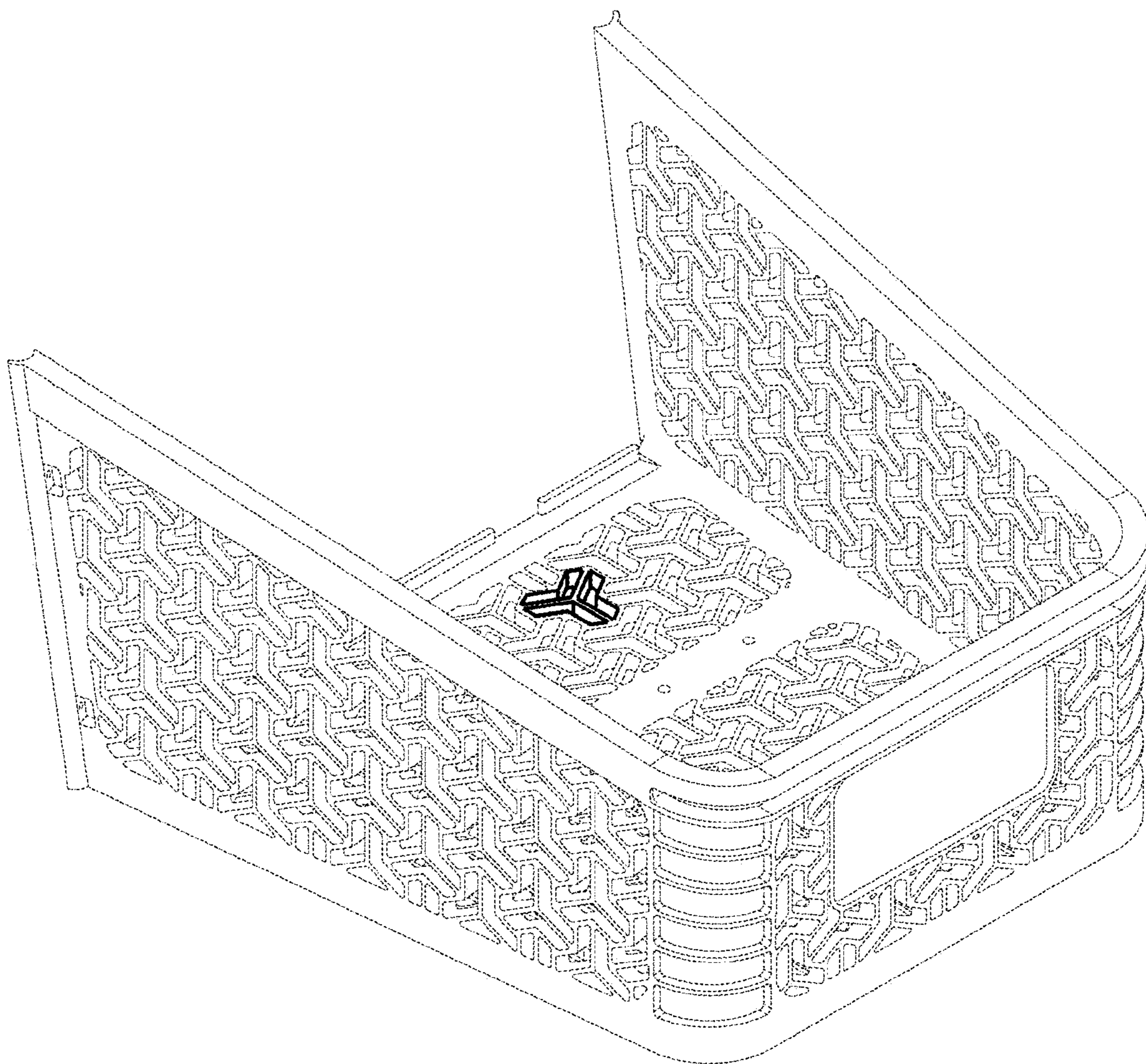


FIG. 2

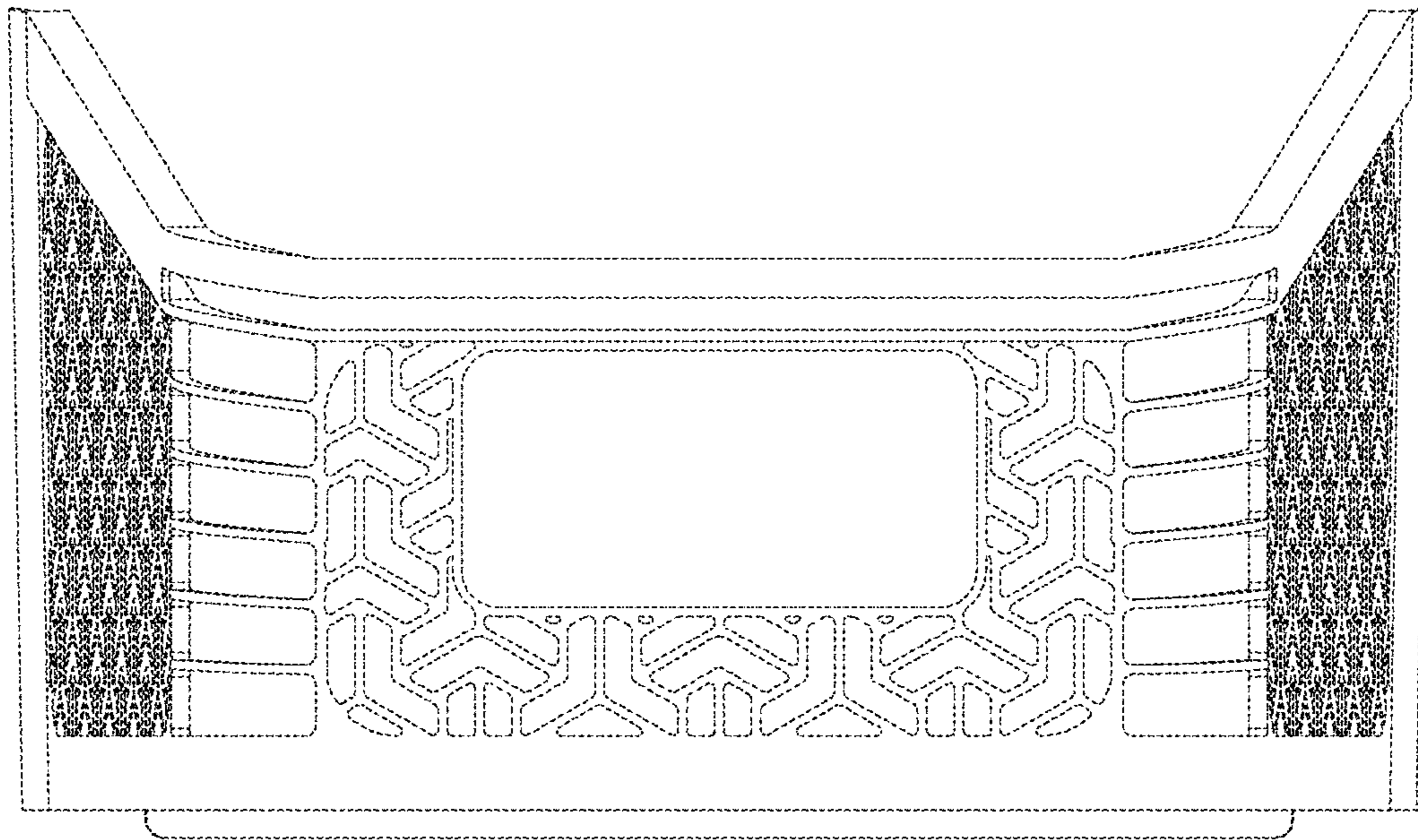


FIG. 3

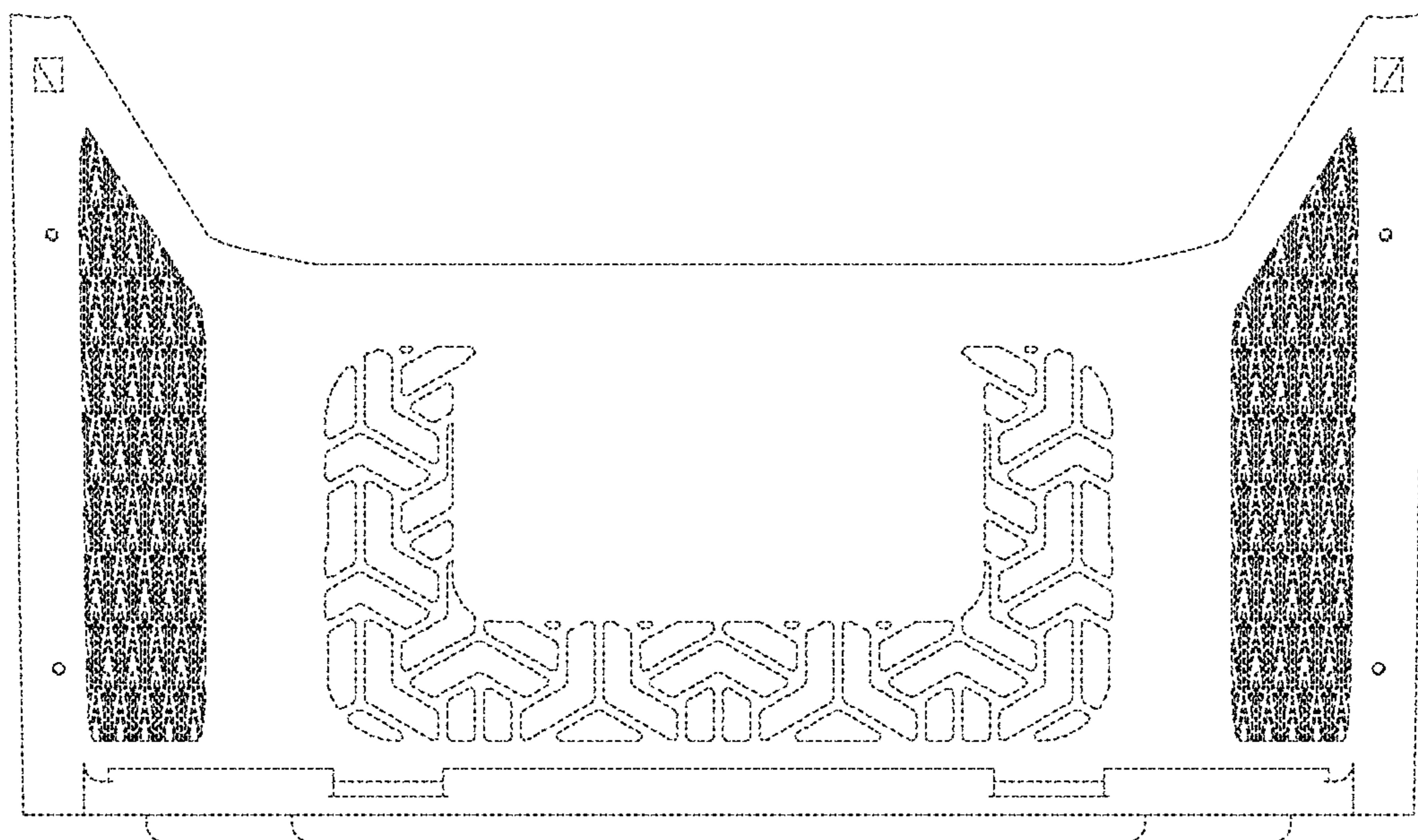


FIG. 4

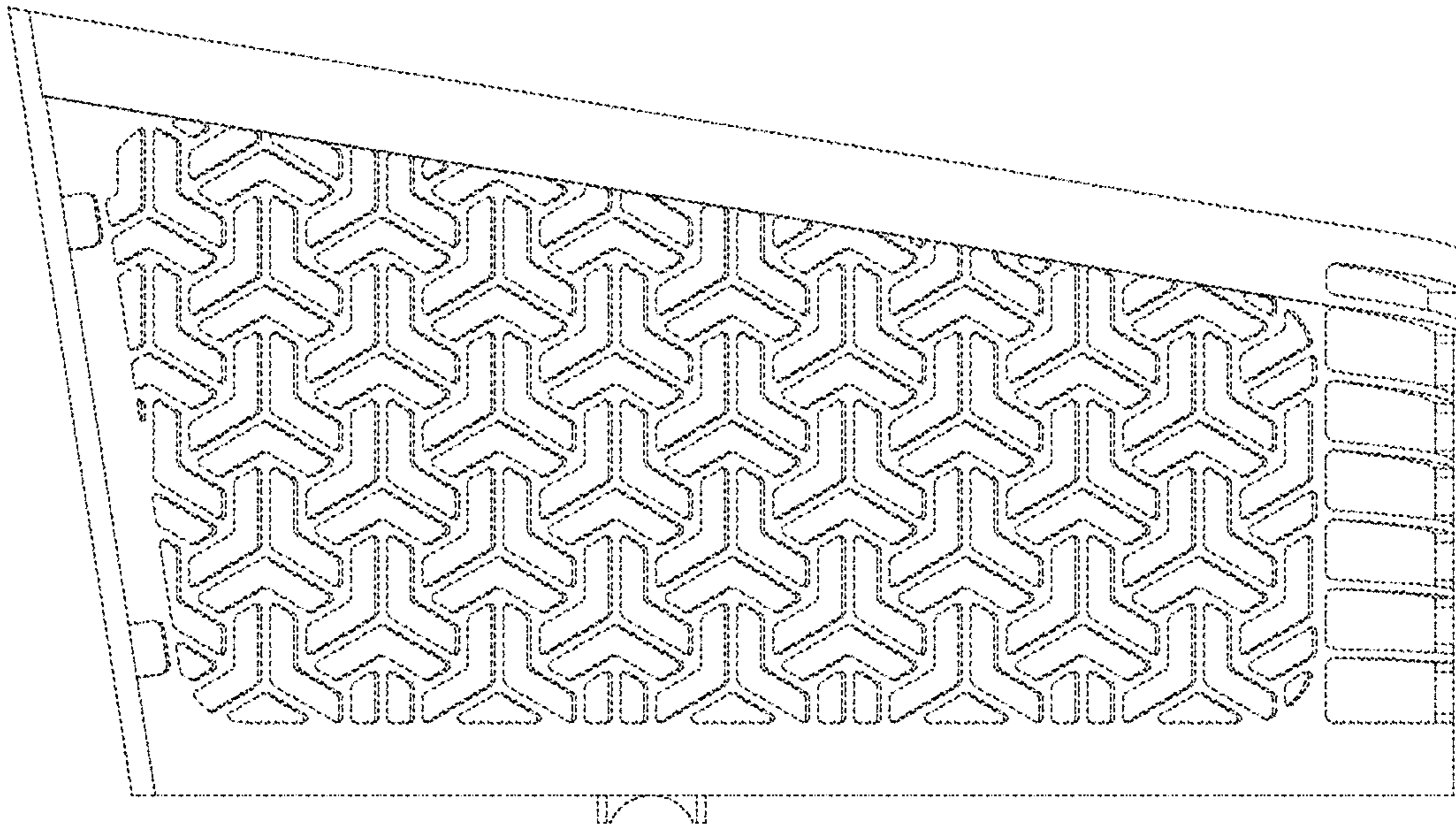


FIG. 5

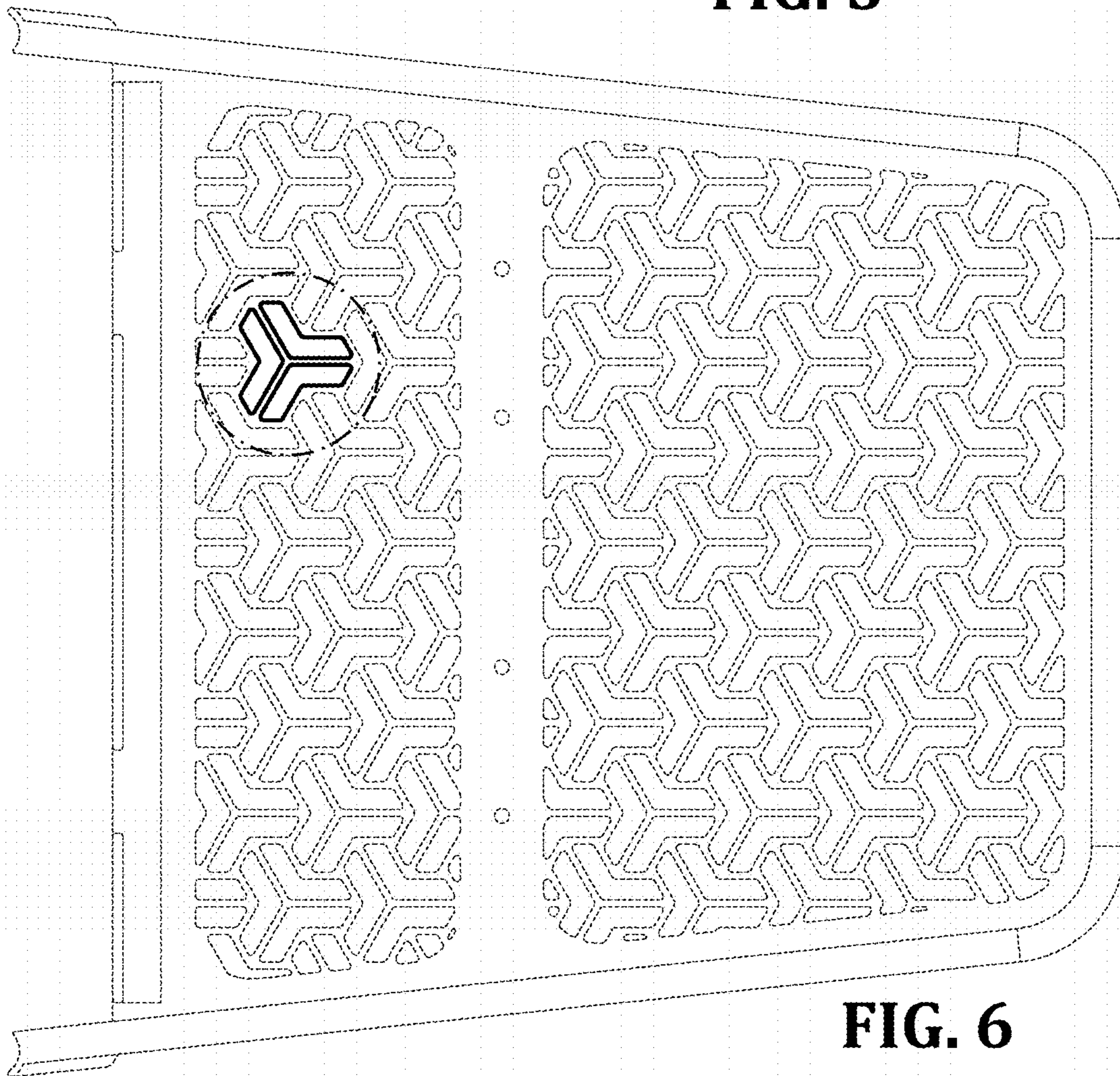


FIG. 6

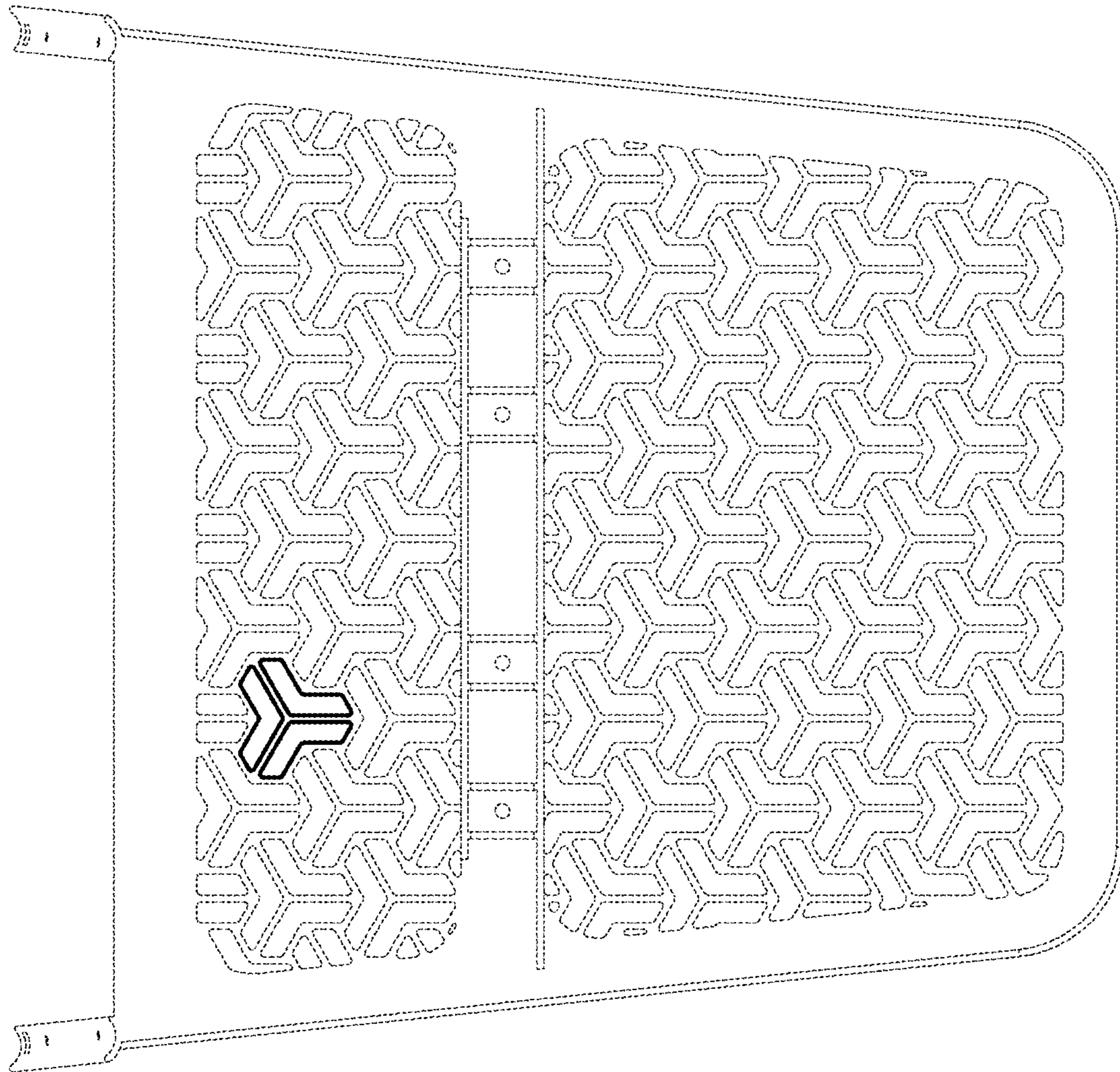


FIG. 7

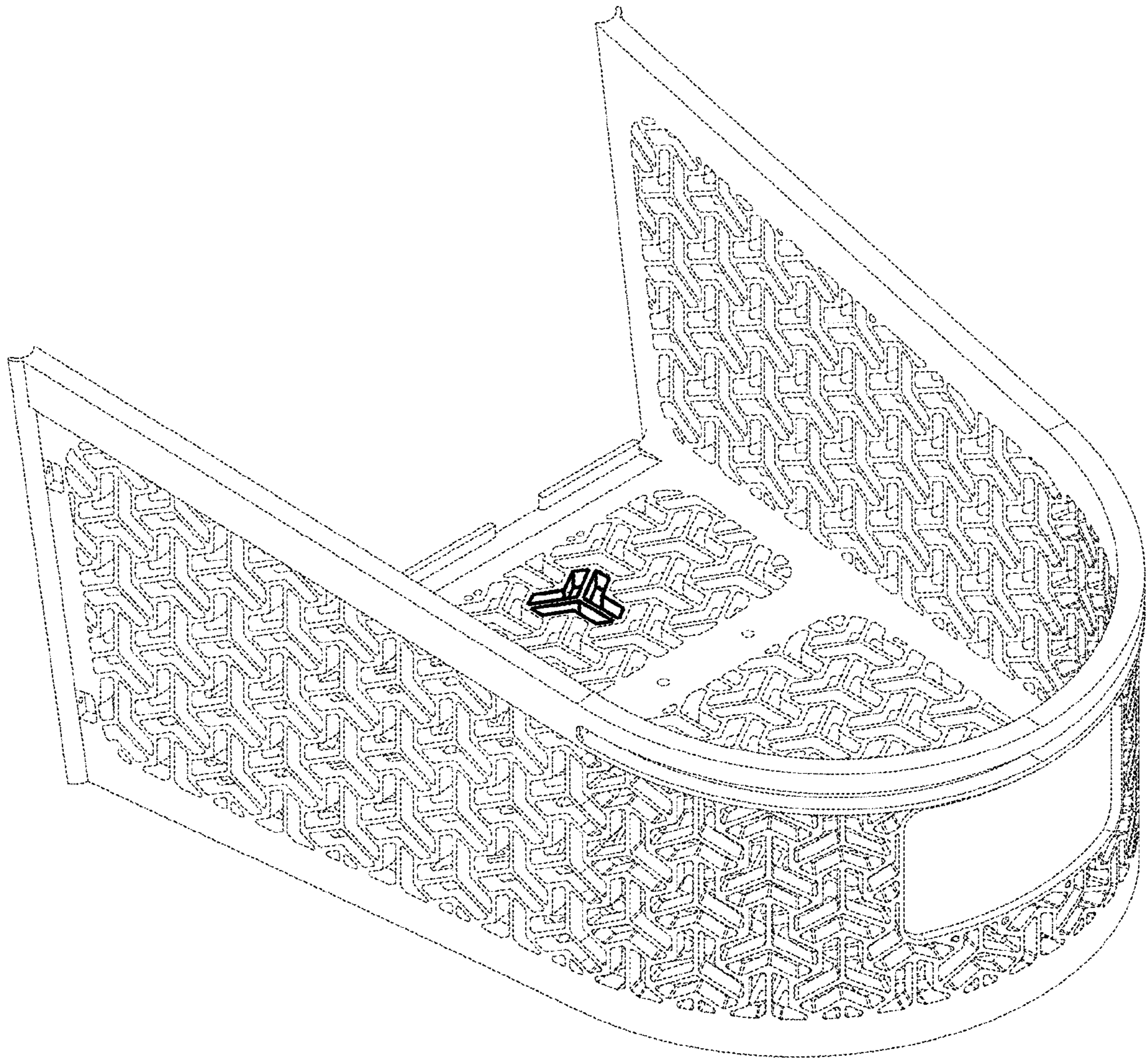


FIG. 8

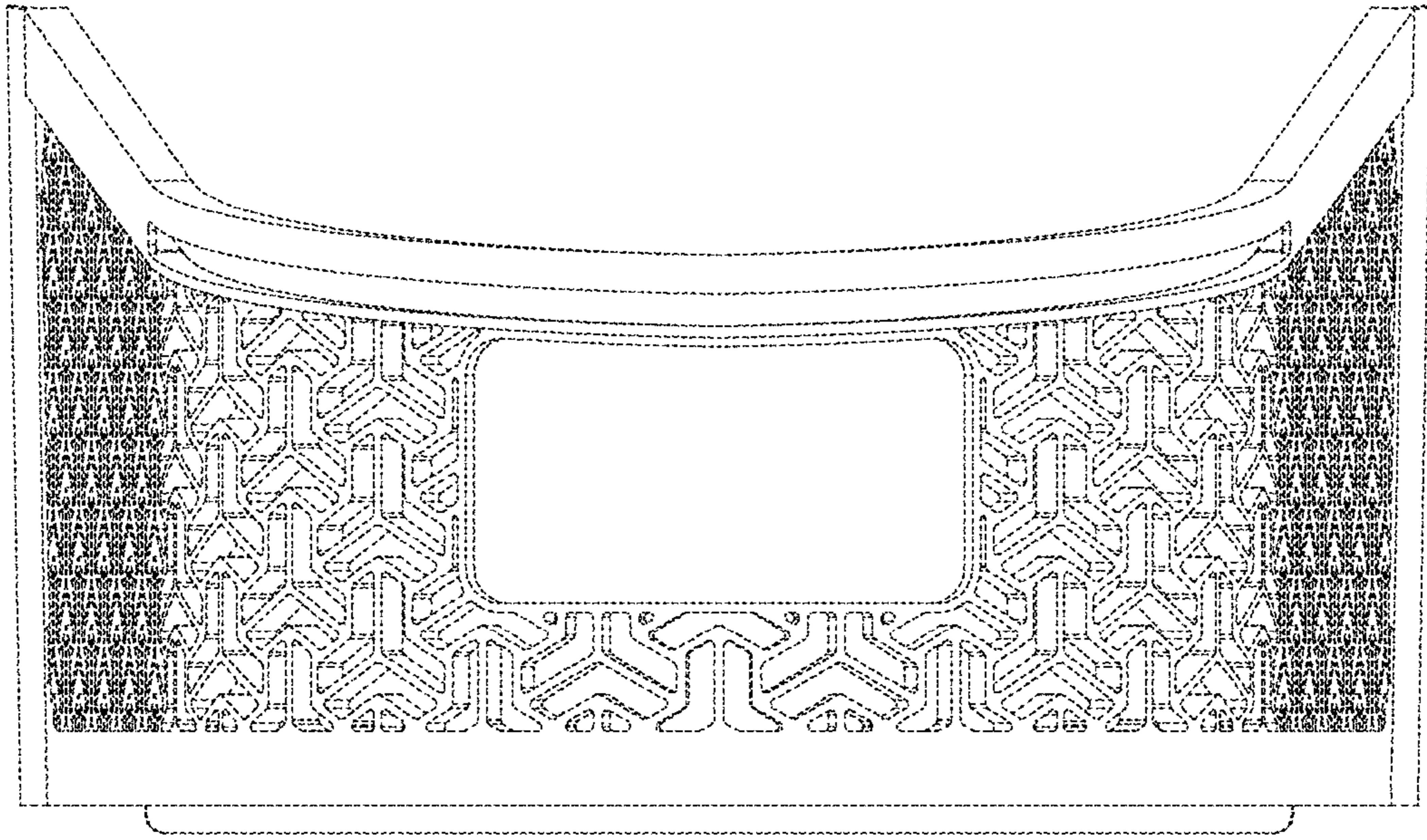


FIG. 9

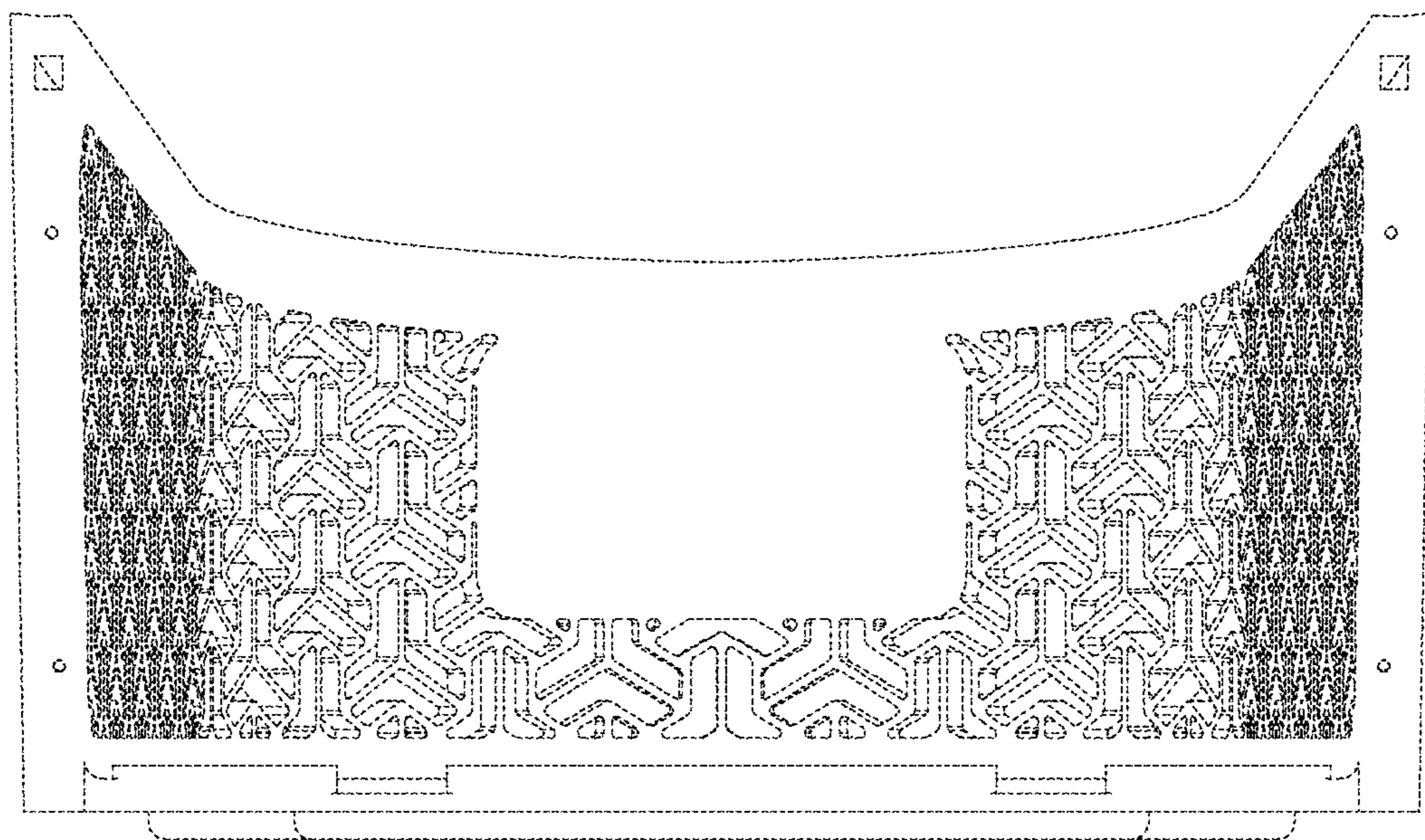


FIG. 10

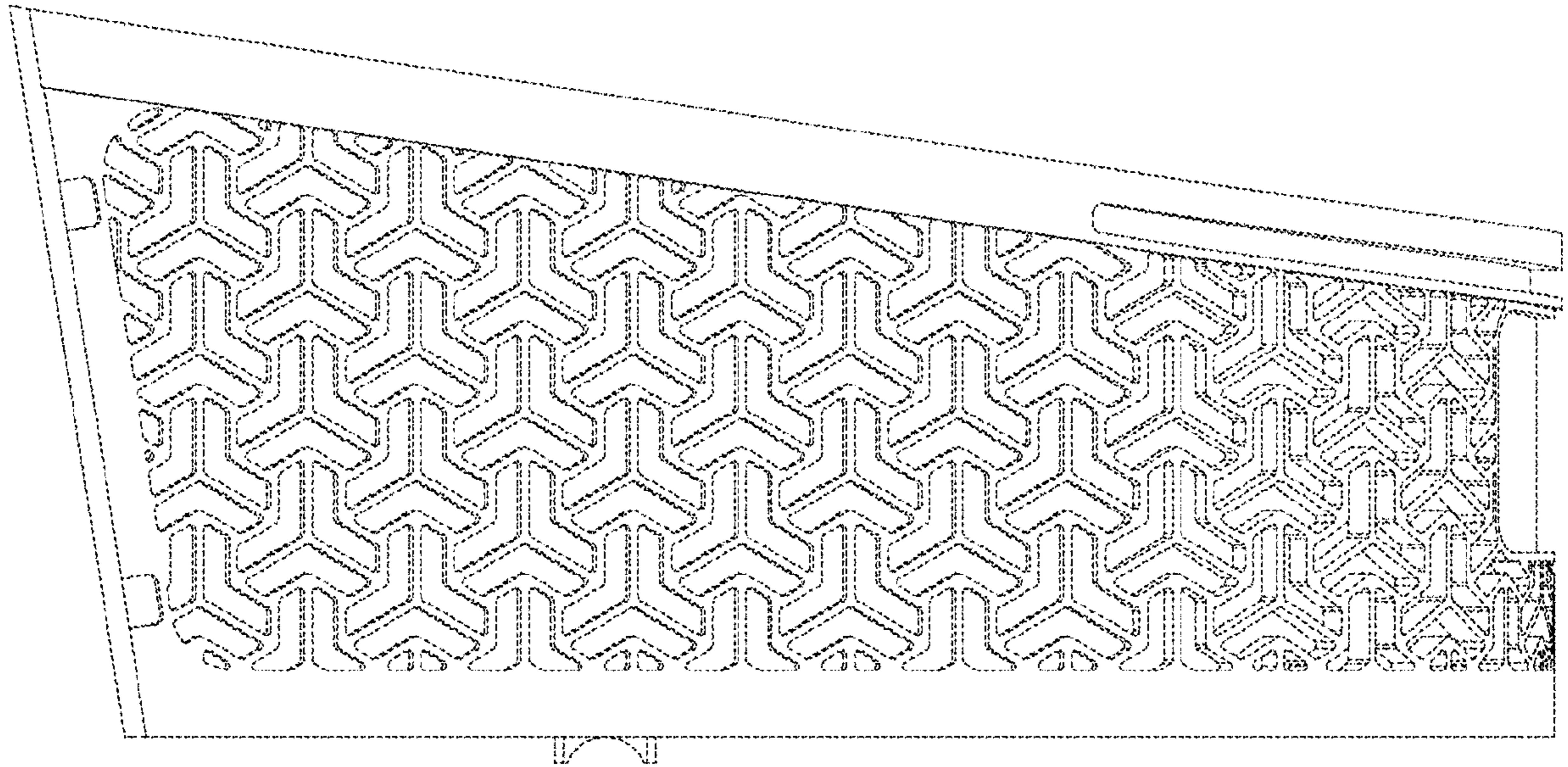


FIG. 11

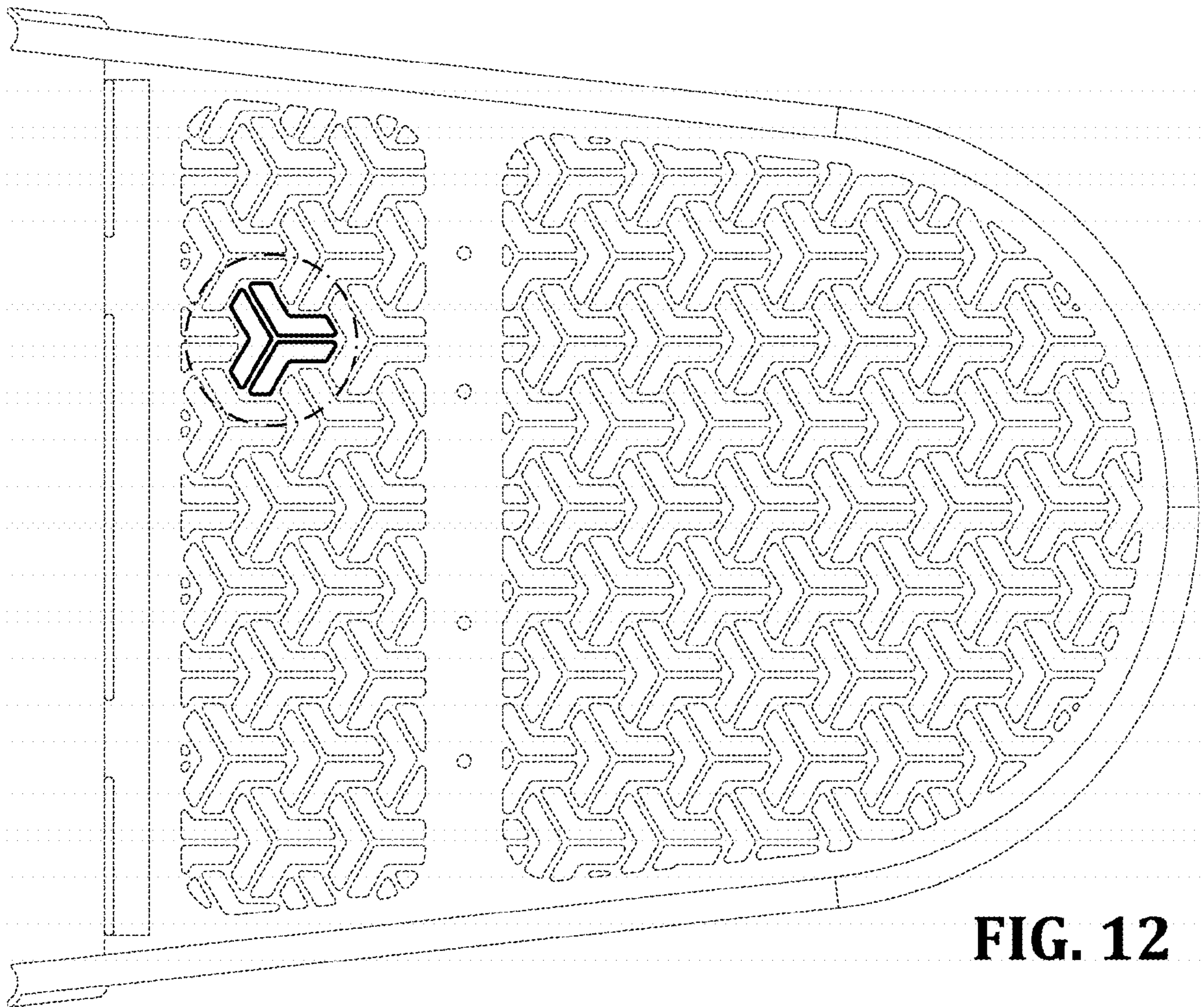


FIG. 12

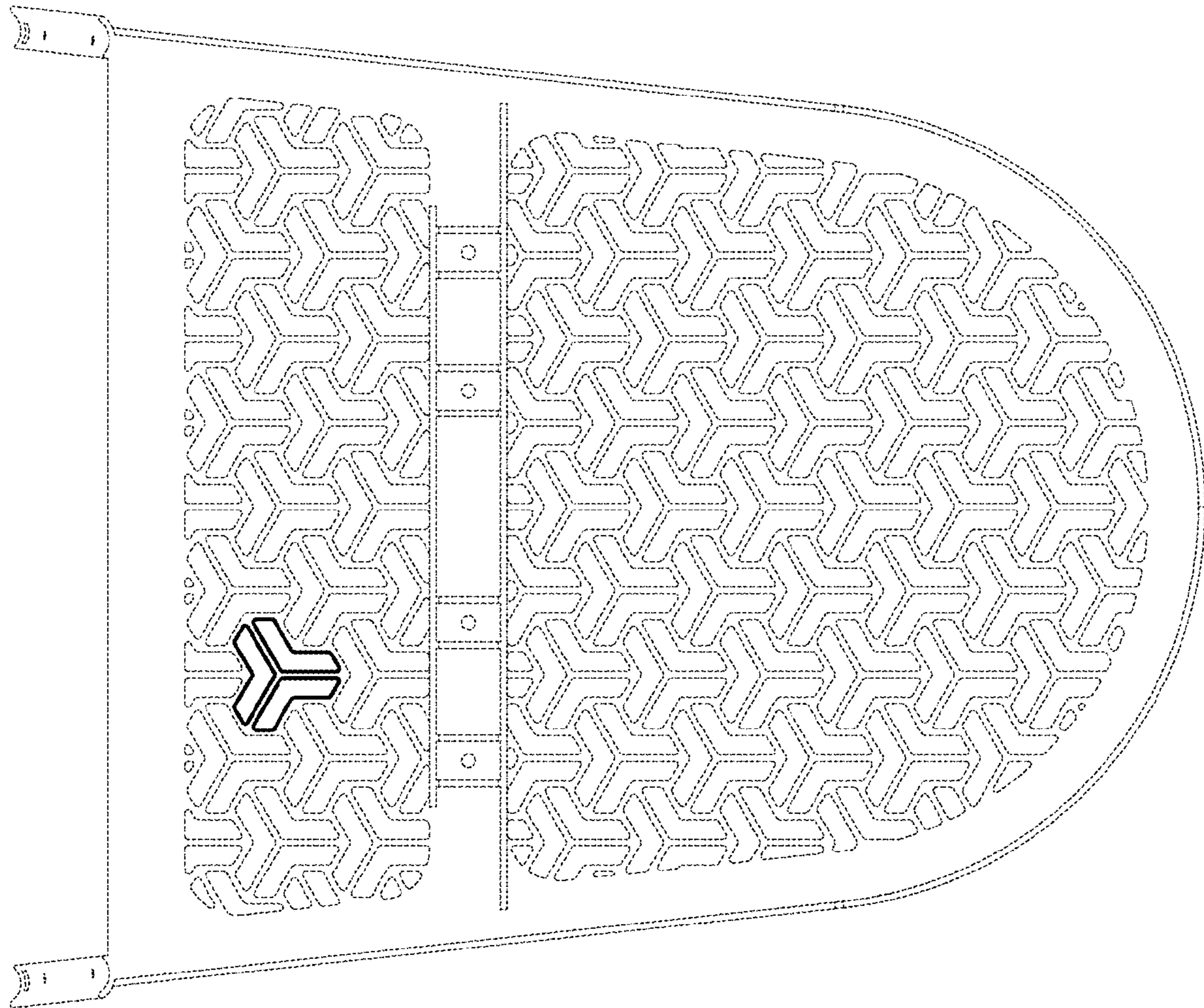


FIG. 13