



US00D941546S

(12) **United States Design Patent**
Tung

(10) **Patent No.:** **US D941,546 S**

(45) **Date of Patent:** **** Jan. 18, 2022**

- (54) **WORM COMPOSTING BIN**
- (71) Applicant: **Kelly Hui-Chin Tung**, Cupertino, CA (US)
- (72) Inventor: **Kelly Hui-Chin Tung**, Cupertino, CA (US)
- (**) Term: **15 Years**
- (21) Appl. No.: **29/735,372**
- (22) Filed: **May 20, 2020**
- (51) **LOC (13) Cl.** **09-09**
- (52) **U.S. Cl.**
USPC **D34/4; D34/1**
- (58) **Field of Classification Search**
USPC D34/1, 4, 5, 6; D8/1; D21/694
CPC B65F 1/06; B65F 1/006; B65F 1/10; B65F 1/16; B65F 1/1607; B65F 1/67; B65F 1/02; B65F 1/14; B65F 1/062; B65F 1/004; A61G 7/1011; A61G 7/1017; A61G 7/1046; A61G 7/1021; A61G 5/1059; A61G 5/0858; B62B 3/144; B62B 3/146; B62B 7/04; B62B 7/006; B62B 7/008; B62B 7/145; B62B 5/069; A47C 27/00; B65D 25/24
See application file for complete search history.

D338,140 S *	8/1993	Scott, Jr.	D11/155
D338,377 S *	8/1993	Scott, Jr.	D11/155
D364,322 S *	11/1995	Breacain	D23/214
D462,033 S *	8/2002	Reichert	D11/155
D675,127 S *	1/2013	DiMaggio	D11/143

* cited by examiner

Primary Examiner — Cynthia Ramirez

(57) **CLAIM**

The ornamental design for a worm composting bin, as shown and described.

DESCRIPTION

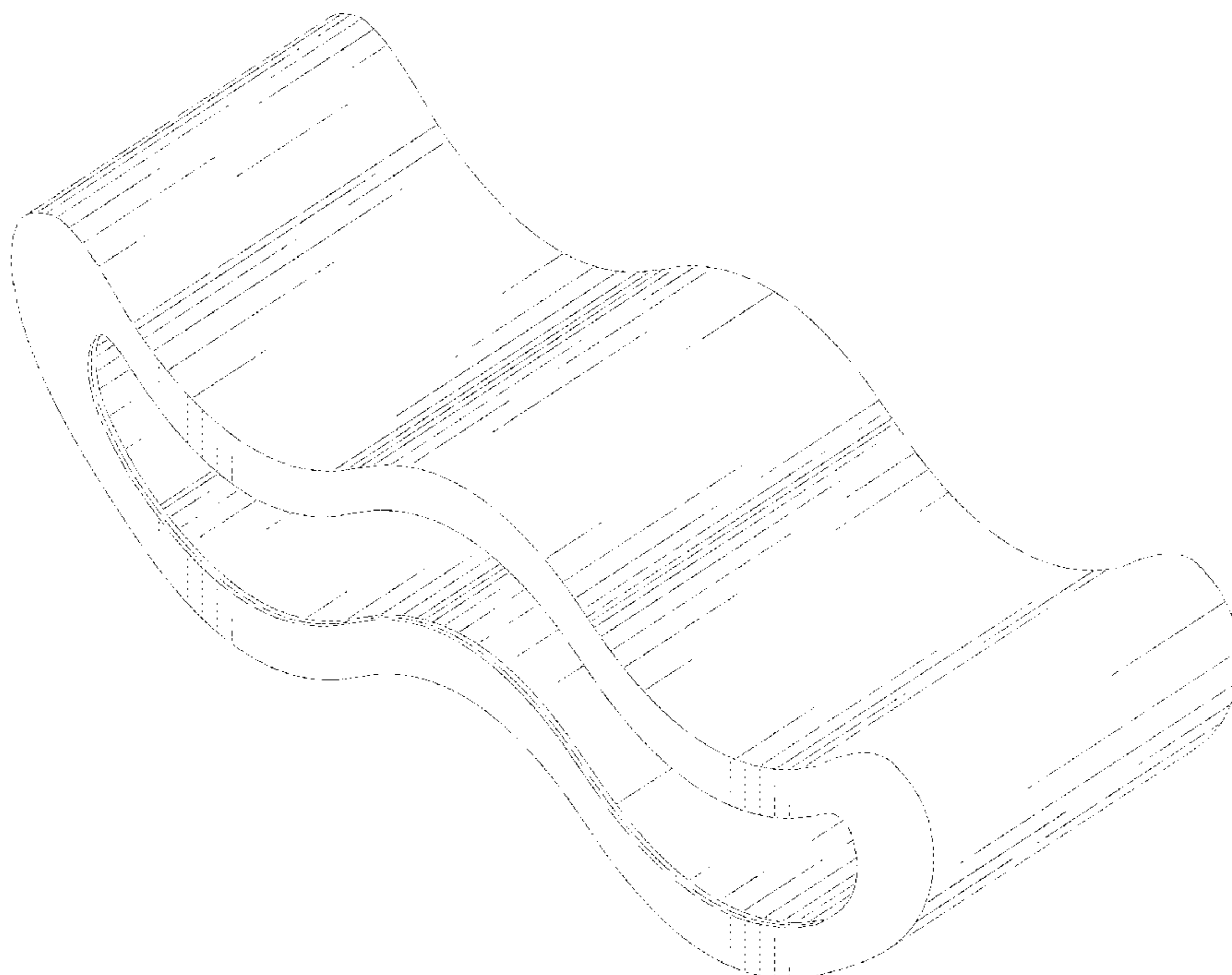
FIG. 1 is a front top left perspective view of a worm composting bin;
 FIG. 2 is a rear bottom right perspective view thereof;
 FIG. 3 is a top front view thereof;
 FIG. 4 is a bottom front view thereof;
 FIG. 5 is a front bottom left view thereof;
 FIG. 6 is a front bottom right view thereof;
 FIG. 7 is a front elevational view thereof;
 FIG. 8 is a rear elevational view thereof;
 FIG. 9 is a top plan view thereof where the bottom plan view is identical thereto;
 FIG. 10 is a left elevational view thereof, where the right elevational view is identical thereto;
 FIG. 11 is a front top left view of the present invention in an alternate configuration; and,
 FIG. 12 is a rear bottom right view of the present invention in an alternate configuration.
 The broken line showing a cover, a handle, and wheels in FIGS. 11-12 is included for the purpose of illustrating environmental structure and forms no part of the claimed design.

(56) **References Cited**

U.S. PATENT DOCUMENTS

D194,619 S *	2/1963	Lane et al.	D8/1
D332,163 S *	12/1992	Appelhof	D34/7
D337,439 S *	7/1993	Scott, Jr.	D6/336
D337,924 S *	8/1993	Scott, Jr.	D8/1
D337,925 S *	8/1993	Scott, Jr.	D11/155

1 Claim, 12 Drawing Sheets



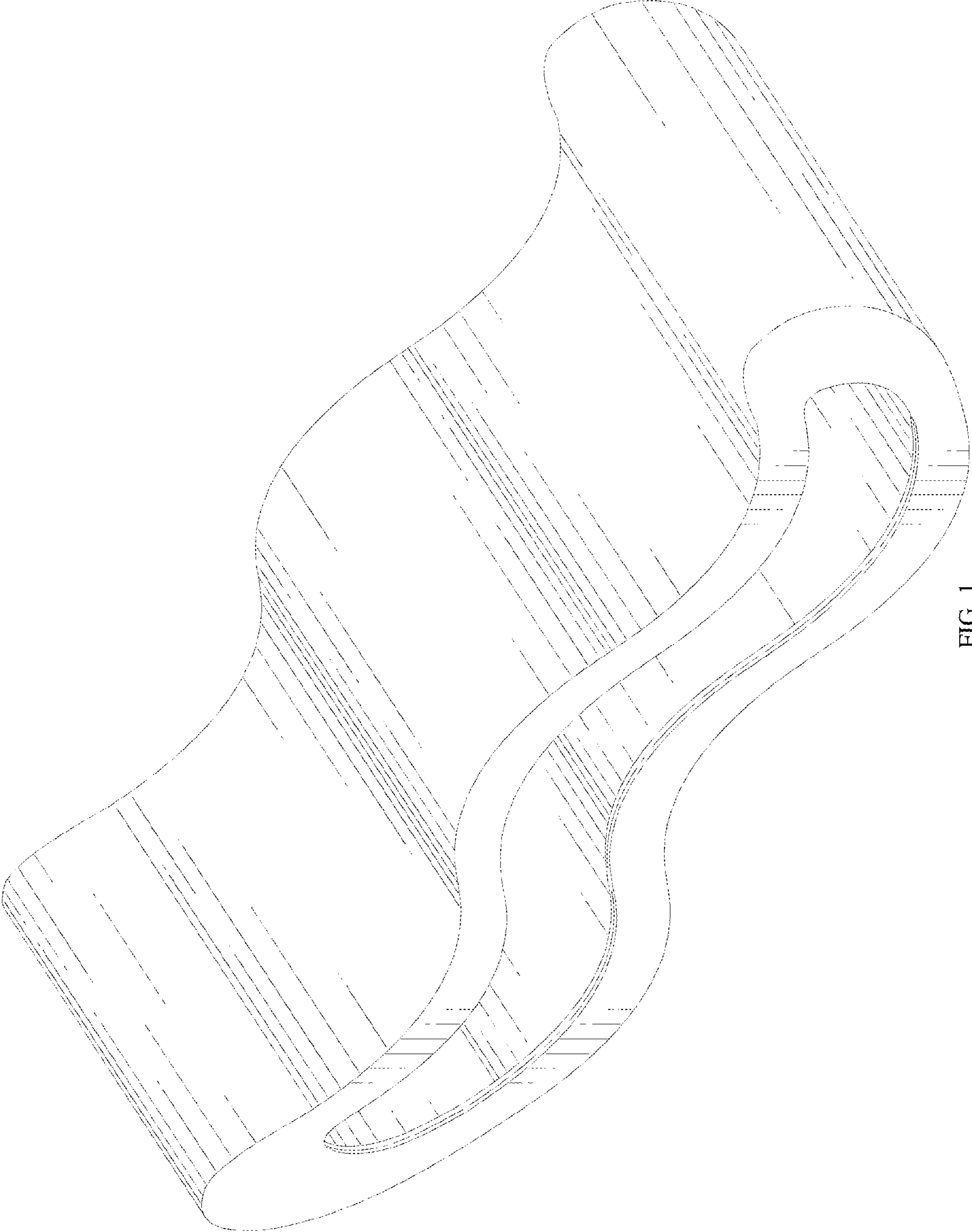


FIG. 1

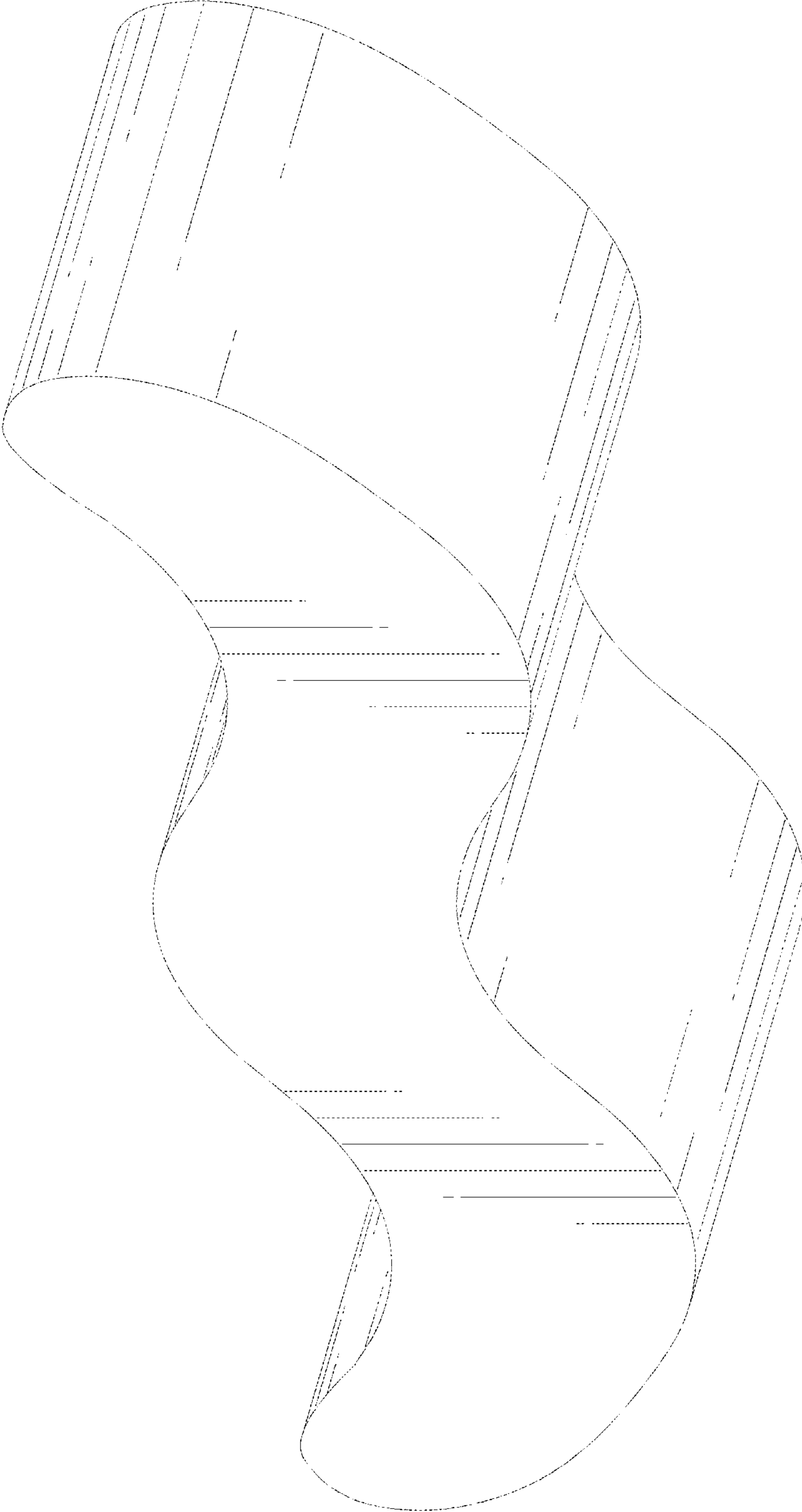


FIG. 2

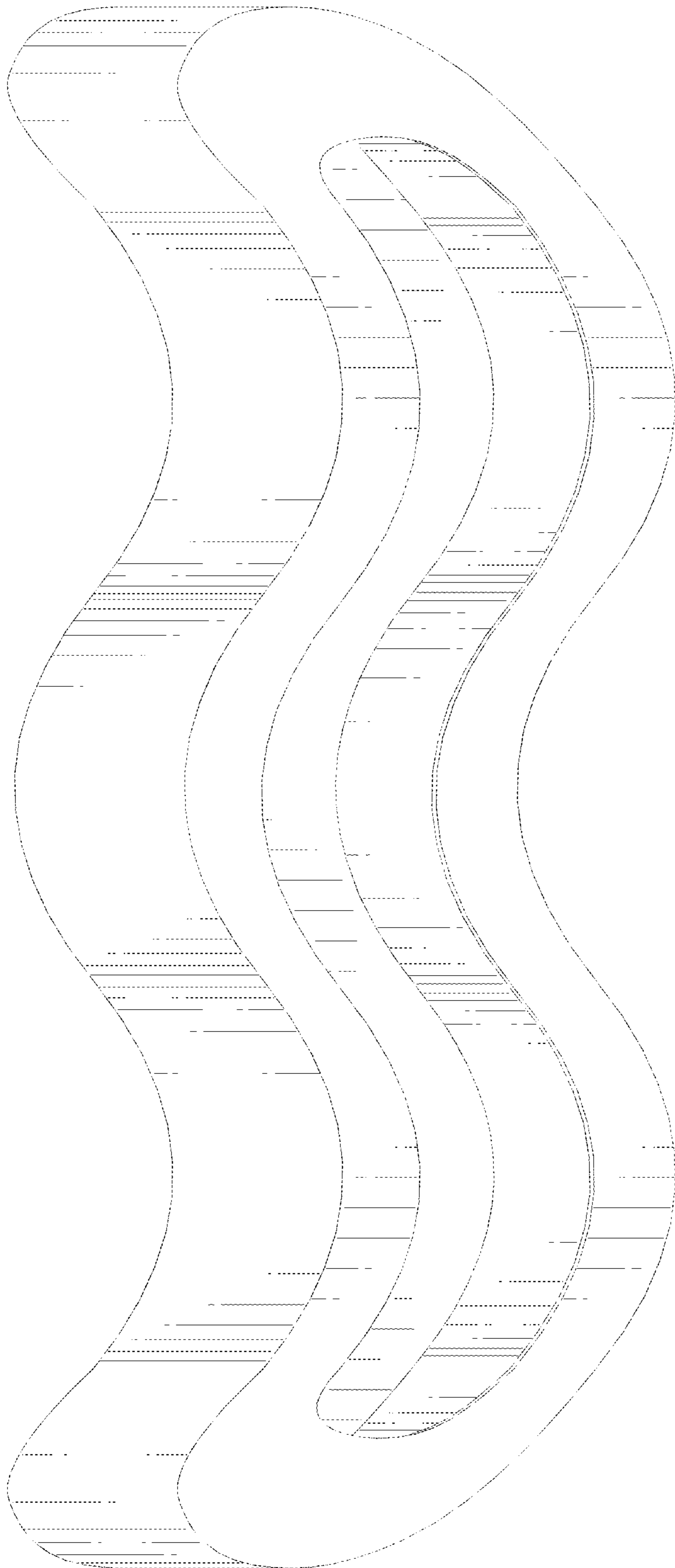


FIG. 3

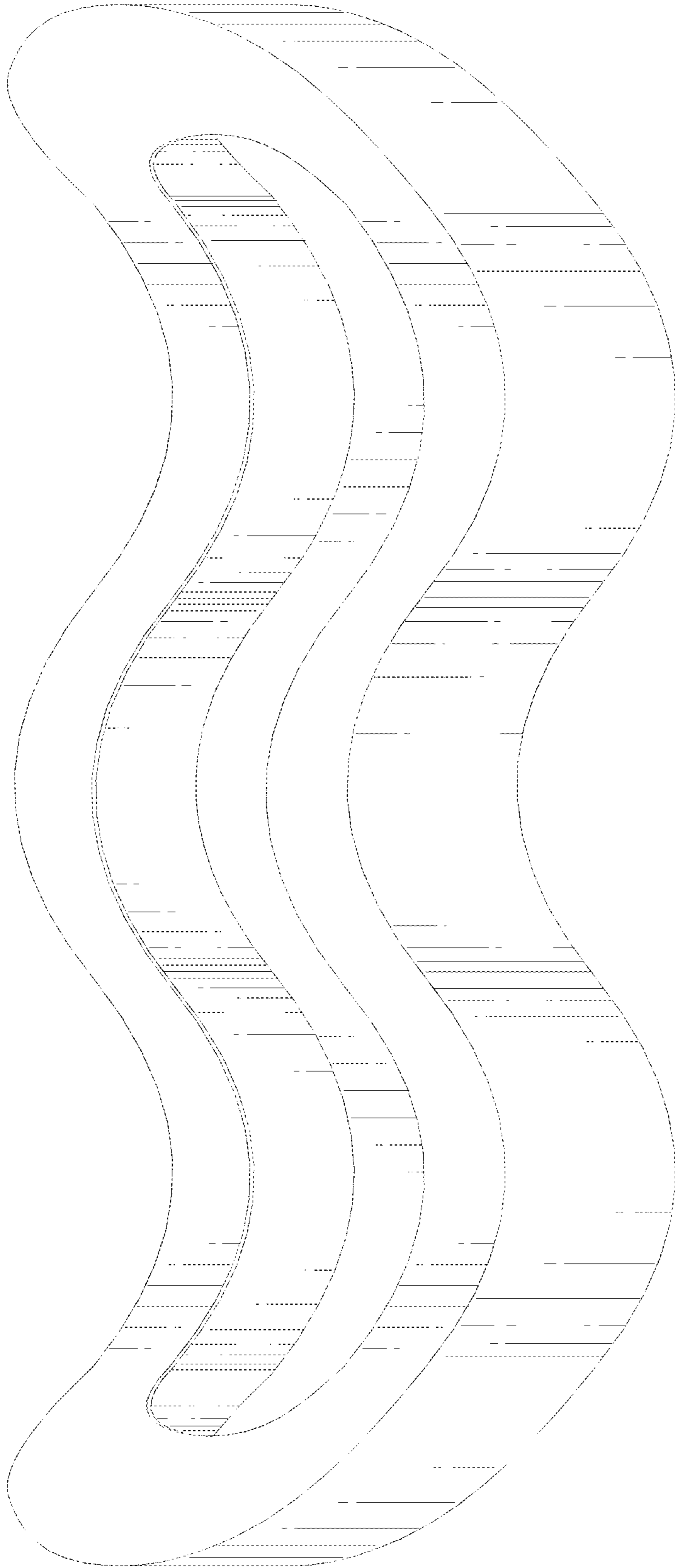


FIG. 4

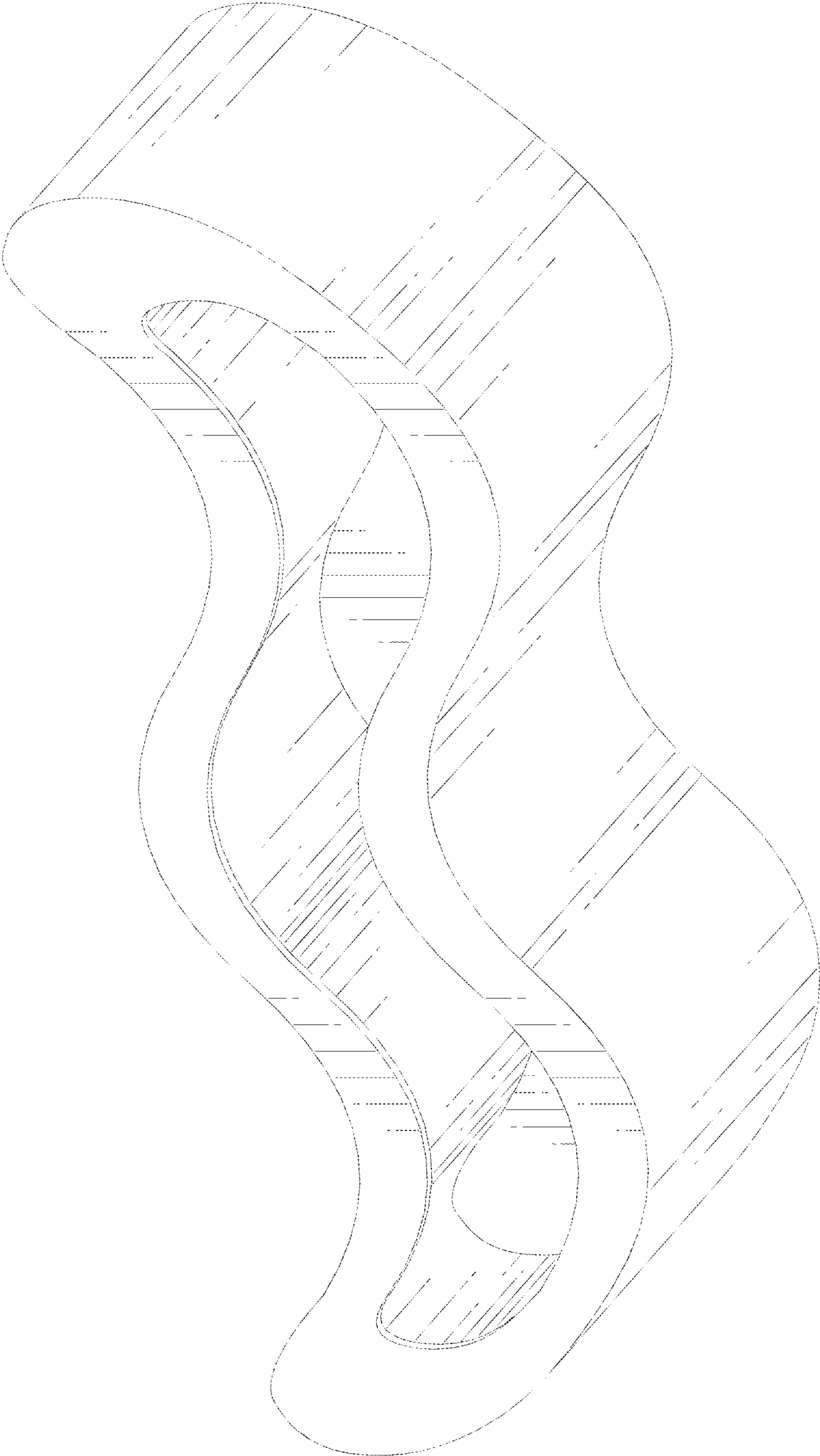


FIG. 5

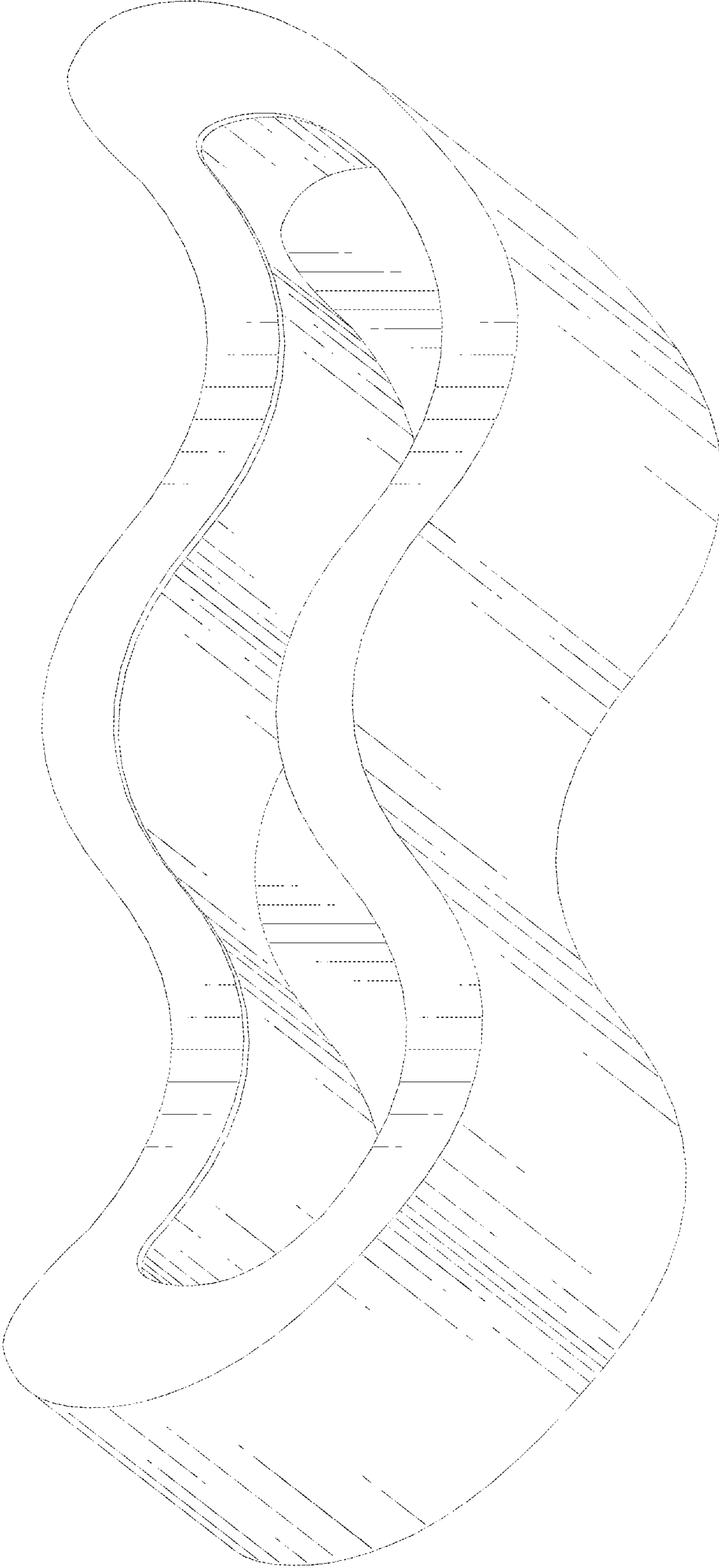


FIG. 6

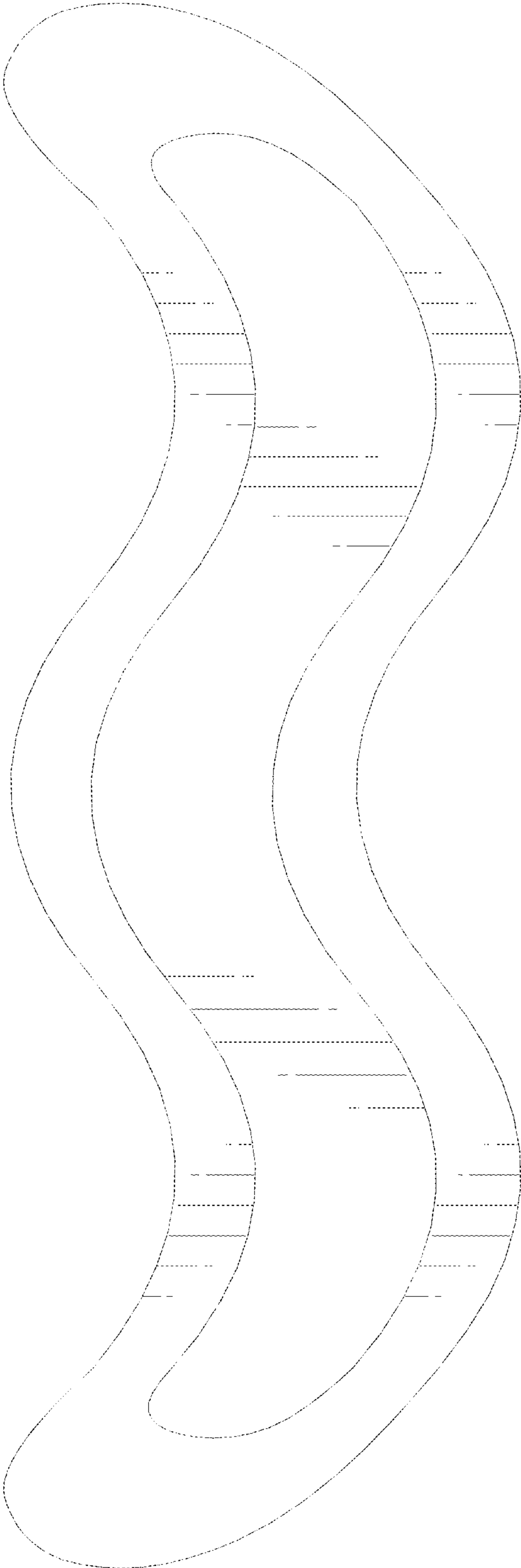


FIG. 7

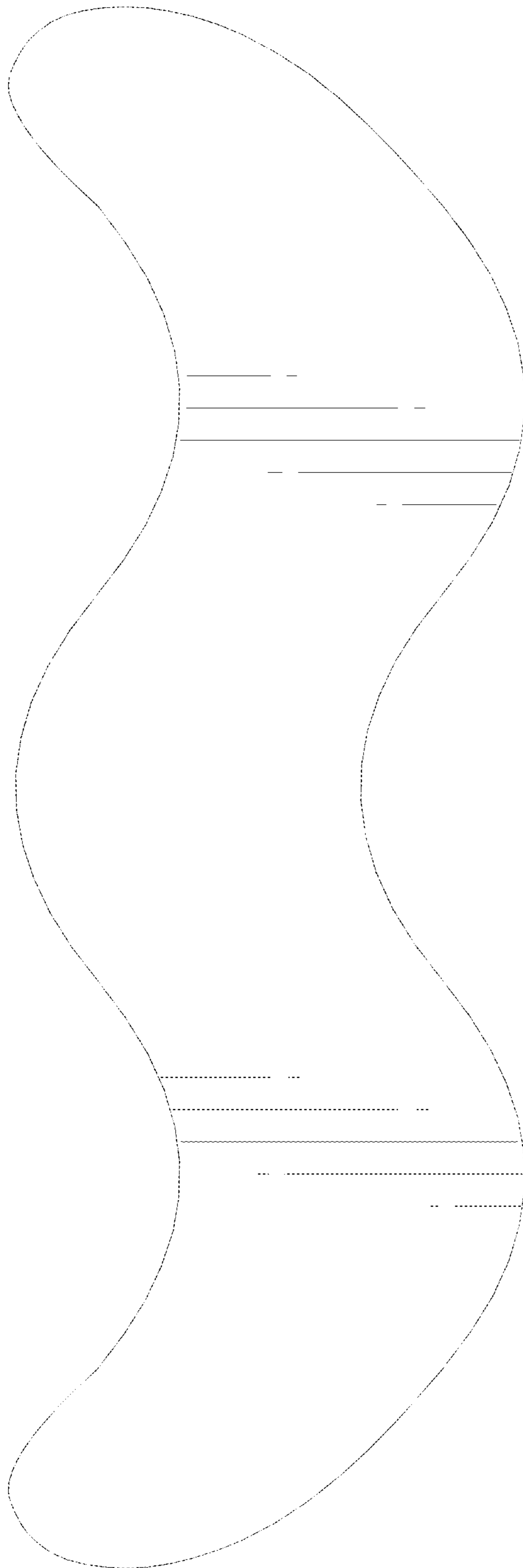


FIG. 8

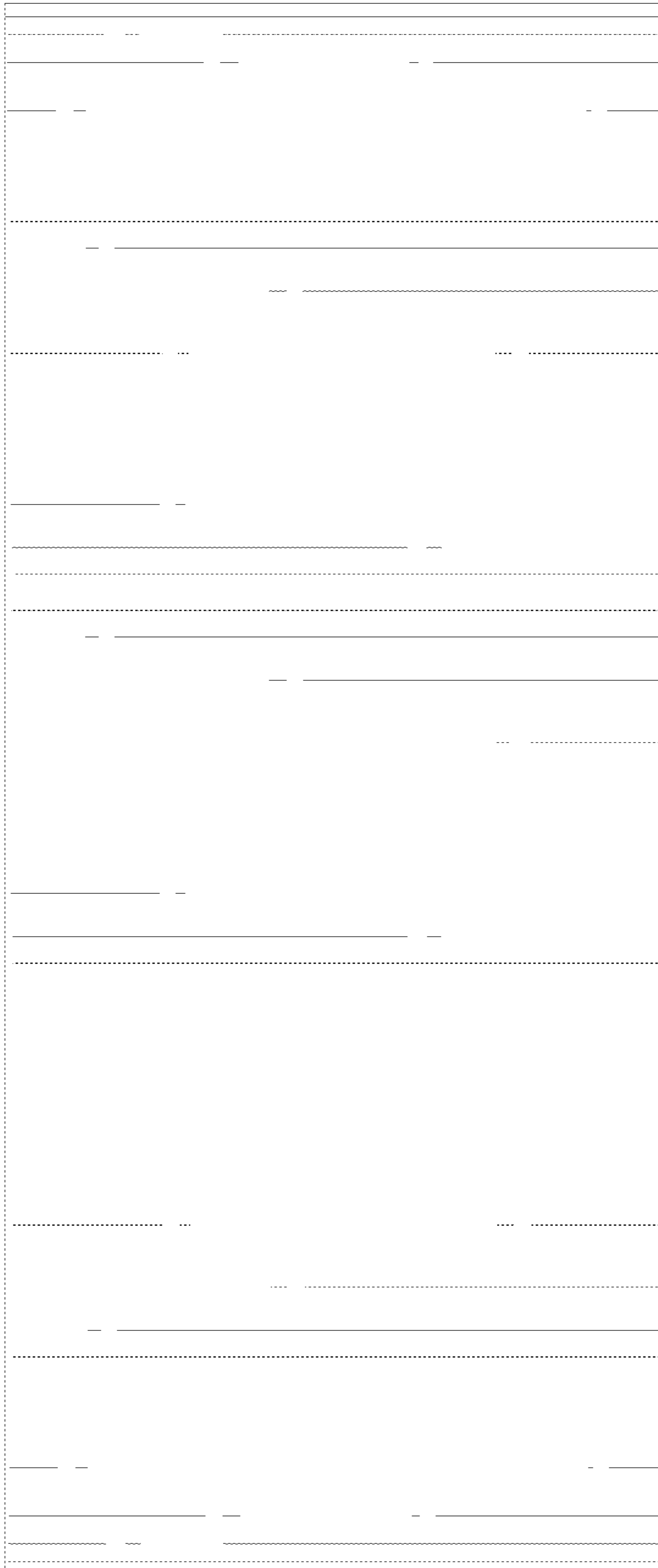


FIG. 9

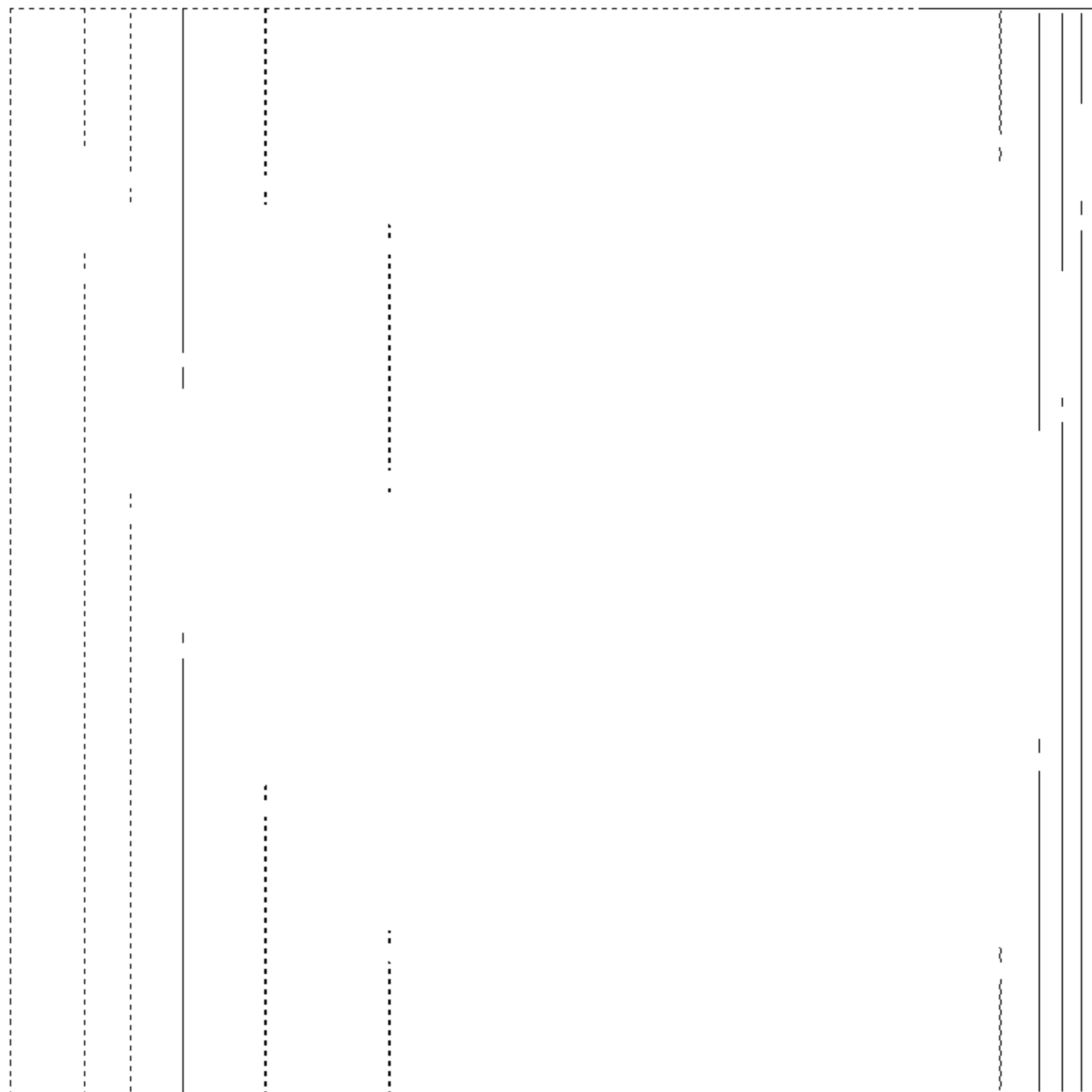


FIG. 10

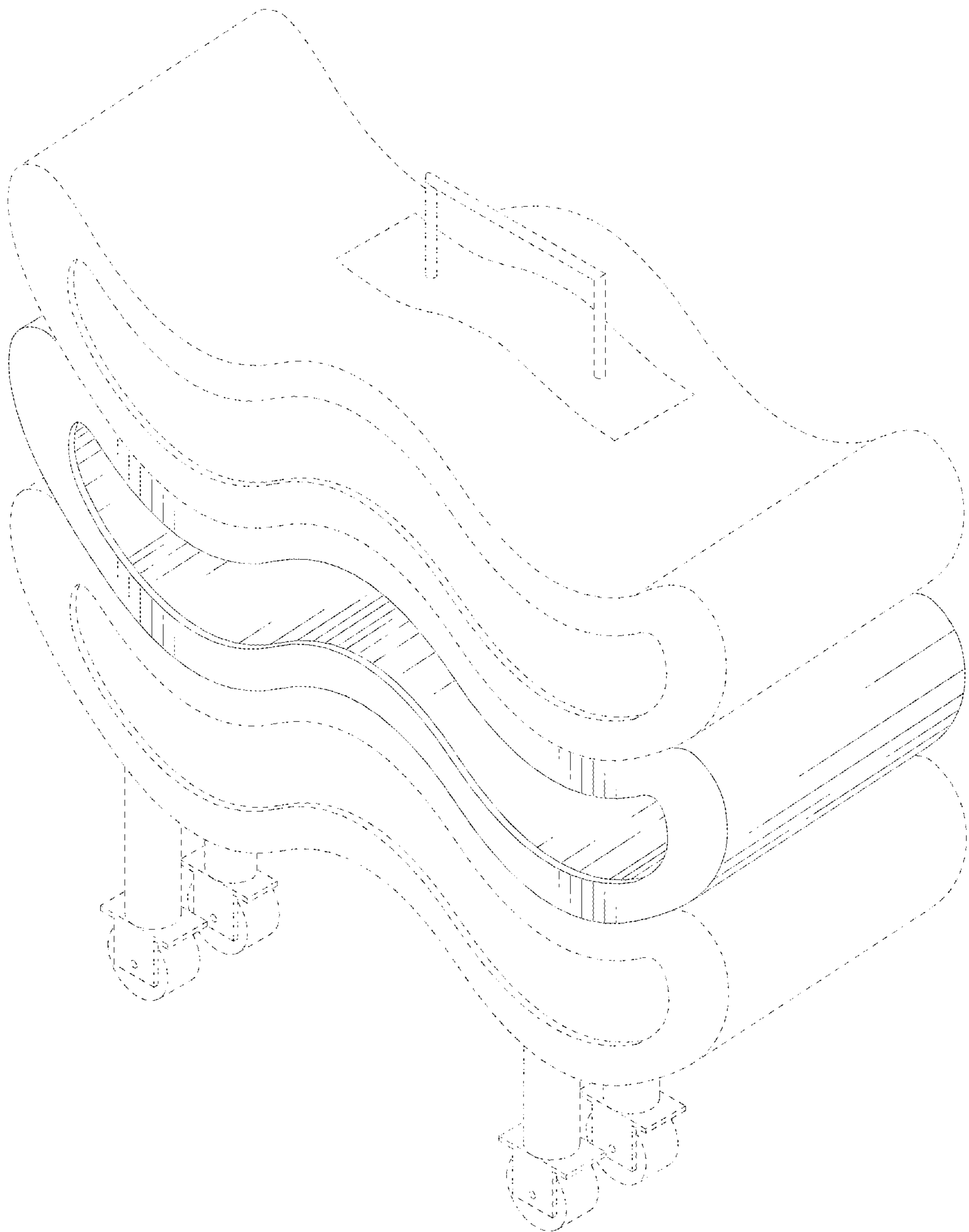


FIG. 11

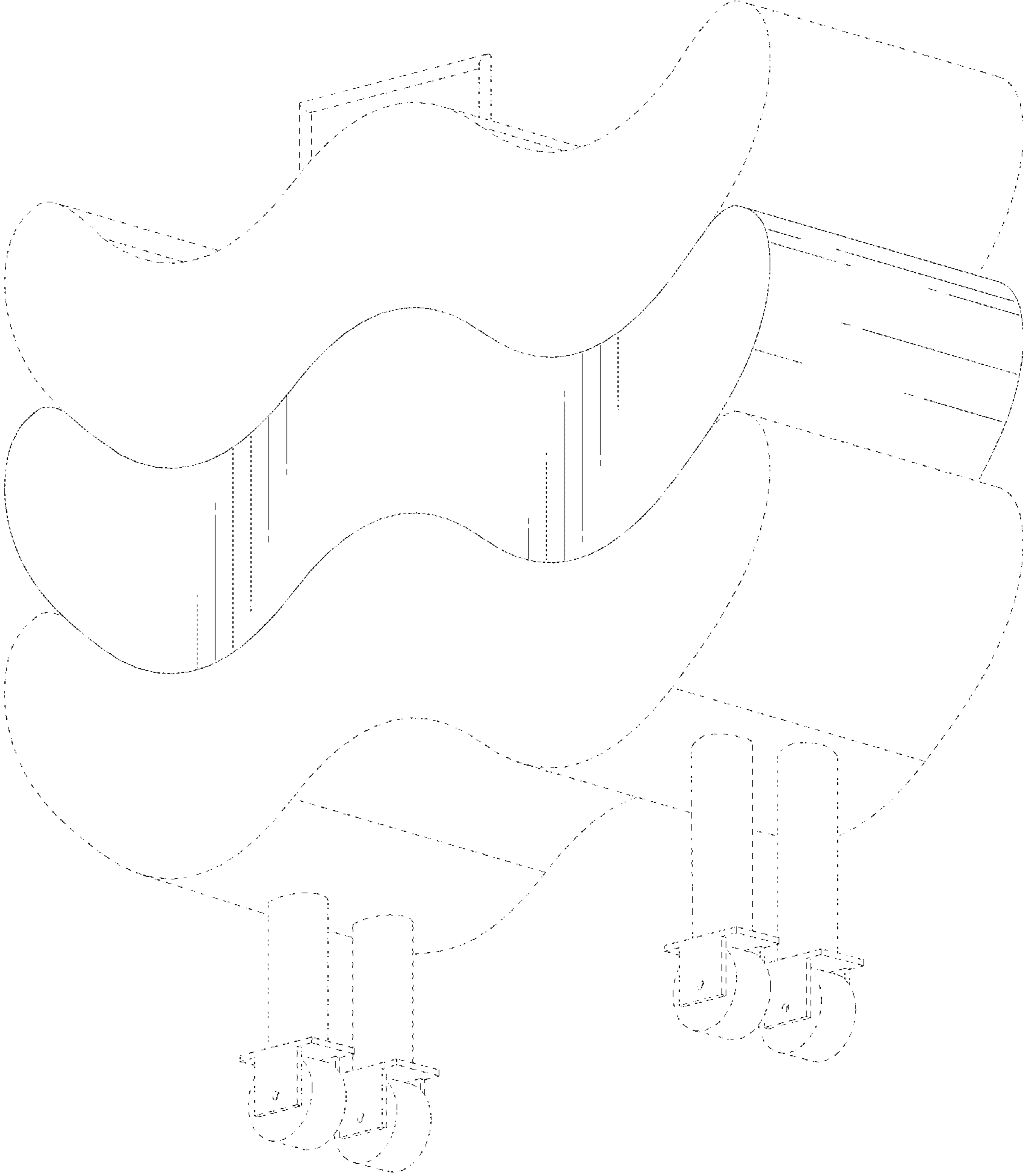


FIG. 12