



US00D941544S

(12) **United States Design Patent**  
**Luburic et al.**

(10) **Patent No.:** **US D941,544 S**  
(45) **Date of Patent:** **\*\* Jan. 18, 2022**

(54) **CONTAINER LID**  
(71) Applicant: **BWAY Corporation**, Atlanta, GA (US)  
(72) Inventors: **Franco Luburic**, Costa Mesa, CA (US);  
**John Richard Homan**, Naperville, IL (US)  
(73) Assignee: **BWAY CORPORATION**, Atlanta, GA (US)  
(\*\*) Term: **15 Years**  
(21) Appl. No.: **29/725,731**

2,985,354 A \* 5/1961 Aldington ..... B65D 21/0222  
229/404  
3,109,575 A \* 11/1963 Aldington ..... B65D 43/021  
229/123.2  
3,112,841 A \* 12/1963 Martinelli ..... B65D 51/1666  
220/380  
D207,356 S \* 4/1967 McCormick ..... D9/439  
3,362,565 A \* 1/1968 McCormick ..... B65D 43/0218  
220/203.09  
3,612,342 A \* 10/1971 Rathbun ..... B65D 43/0208  
220/781  
D222,905 S \* 2/1972 Kinney ..... D9/439  
D239,437 S \* 4/1976 Boduch ..... D9/445  
D261,486 S \* 10/1981 Smith ..... D9/452  
(Continued)

(22) Filed: **Feb. 26, 2020**  
(51) **LOC (13) Cl.** ..... **07-05**  
(52) **U.S. Cl.**  
USPC ..... **D32/54**  
(58) **Field of Classification Search**  
USPC ..... D7/354, 356, 391; D9/416, 417, 434,  
D9/435, 549, 454, 780; D13/199;  
D22/136; D23/386; D24/189; D32/37,  
D32/53, 54  
CPC ..... B65D 41/0471; B65D 21/0222;  
B65D 55/02; B65D 43/0212; B65D  
51/18; B65D 43/021; B65D 51/1666;  
B65D 43/0218; B65D 43/0208; B44D  
3/006  
See application file for complete search history.

**OTHER PUBLICATIONS**

Metal Paint Can Lid [https://www.berlinpackaging.com/7713-307-metal-paint-can-lid-epoxy-liner/?promo=shopping&gclid=EAlalQobChMI87-gx4zc8AIViTizABINDQrQEAAQYBiABEgL9svD\\_BwE](https://www.berlinpackaging.com/7713-307-metal-paint-can-lid-epoxy-liner/?promo=shopping&gclid=EAlalQobChMI87-gx4zc8AIViTizABINDQrQEAAQYBiABEgL9svD_BwE) (Year: 2021).\*

(Continued)

*Primary Examiner* — Michelle E. Wilson  
*Assistant Examiner* — Richard E. Yenchesky  
(74) *Attorney, Agent, or Firm* — Morris, Manning & Martin, LLP; Bryan D. Stewart; William Sparkman

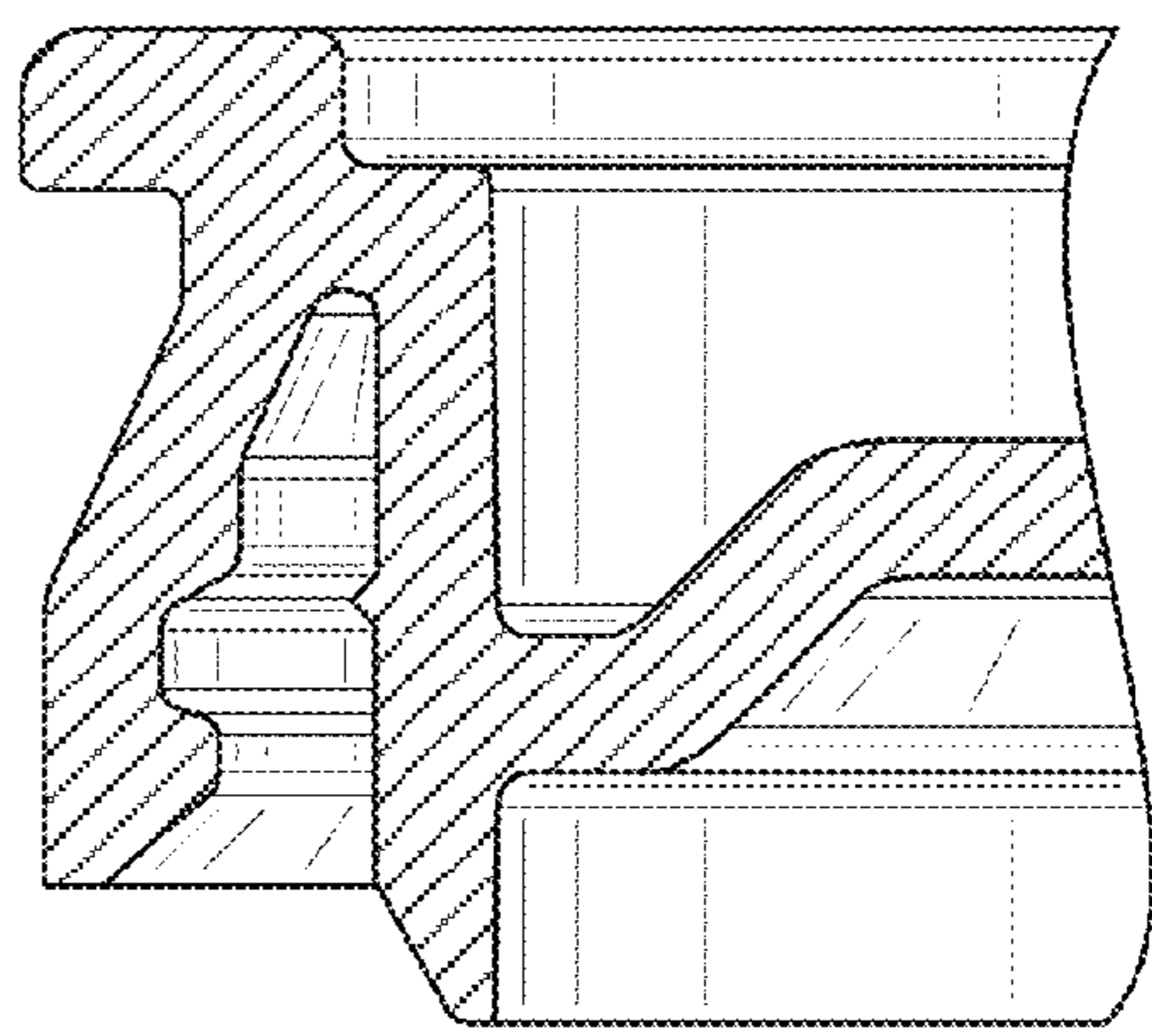
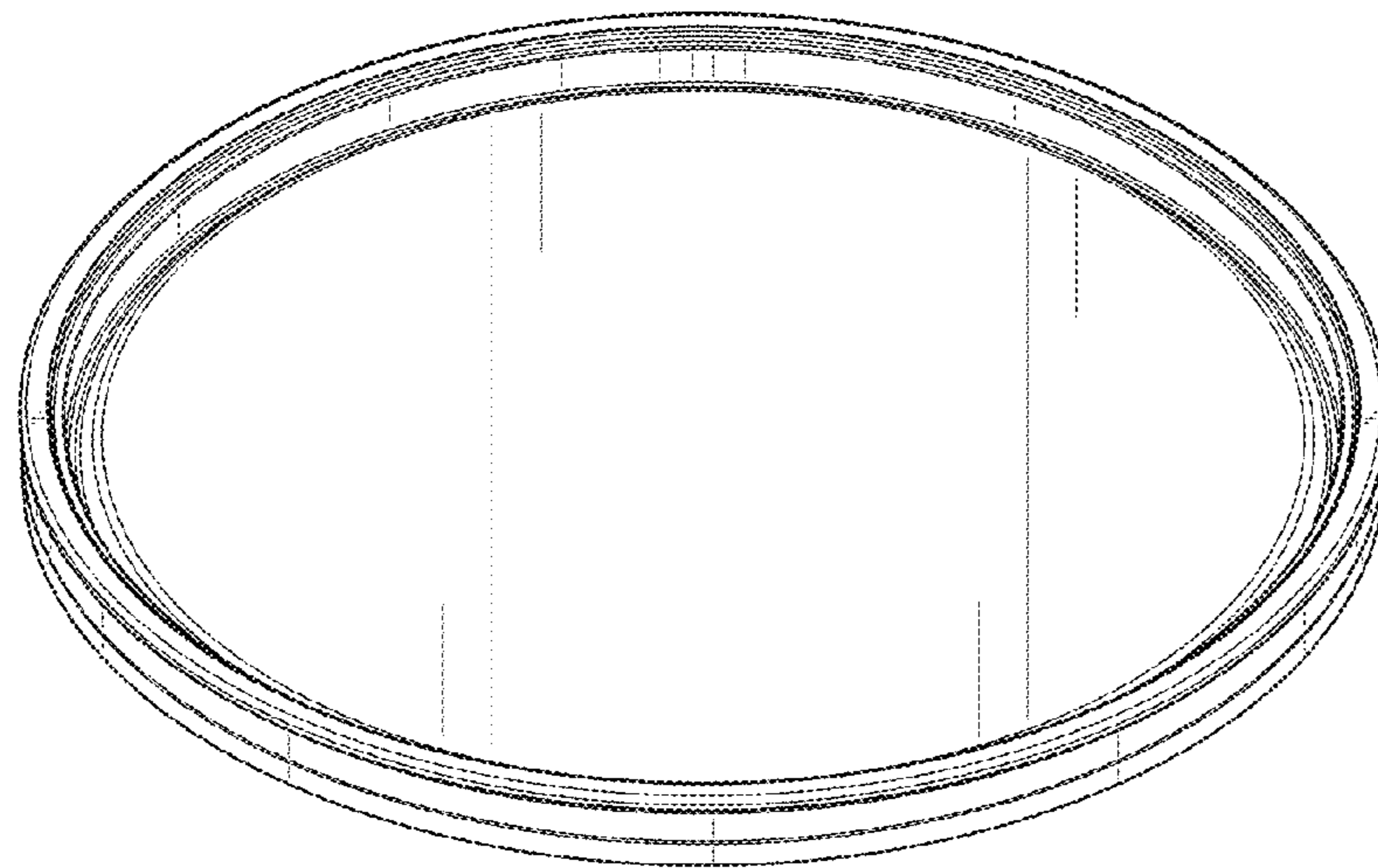
(56) **References Cited**  
**U.S. PATENT DOCUMENTS**  
1,229,341 A \* 6/1917 Martinelli ..... B65D 55/02  
215/250  
1,466,583 A \* 8/1923 Evans ..... B65D 43/0212  
215/320  
2,104,540 A \* 1/1938 Hoffman ..... B65D 51/18  
229/5.5  
2,922,563 A \* 1/1960 Aldington ..... B65D 43/0212  
206/508  
2,972,432 A \* 2/1961 Flack ..... B65D 43/021  
220/380

(57) **CLAIM**  
The ornamental design for the container lid, as shown and described.

**DESCRIPTION**

FIG. 1 is a perspective view of an exemplary container lid; FIG. 2 is a top view of an exemplary container lid; FIG. 3 is a bottom view of an exemplary container lid; FIG. 4 is a side view of an exemplary container lid; and, FIG. 5 is a cross-sectional view thereof; through line 5-5 of FIG. 4.

**1 Claim, 5 Drawing Sheets**



(56)

References Cited

U.S. PATENT DOCUMENTS

D263,685 S \* 4/1982 Smith ..... D9/452  
 D286,026 S \* 10/1986 Rayner ..... D9/435  
 D296,422 S \* 6/1988 Rayner ..... D9/780  
 D338,621 S \* 8/1993 Balson ..... D9/434  
 D348,129 S \* 6/1994 Wolff ..... D32/37  
 D380,385 S \* 7/1997 Litke ..... D9/452  
 D398,997 S \* 9/1998 Taylor ..... D23/386  
 D425,600 S \* 5/2000 Pas ..... D22/136  
 D441,649 S \* 5/2001 Wolff ..... D9/417  
 D489,611 S \* 5/2004 Monsanty ..... D32/54  
 D526,562 S \* 8/2006 Jelich ..... D9/435  
 D544,607 S \* 6/2007 Henry ..... D24/189  
 D558,419 S \* 12/2007 Zychlinski ..... D32/53  
 D568,093 S \* 5/2008 Hocutt ..... D7/356  
 D590,561 S \* 4/2009 Baltz ..... D32/53  
 D608,066 S \* 1/2010 Pearl ..... D32/53  
 D628,080 S \* 11/2010 Van Heerikhuize ..... D9/549  
 D628,894 S \* 12/2010 Pontes ..... D9/454  
 D649,726 S \* 11/2011 Manuel ..... D32/53  
 D659,334 S \* 5/2012 Runyons ..... D32/54  
 D665,491 S \* 8/2012 Goel ..... D23/386  
 D746,626 S \* 1/2016 Lagsdin ..... D7/354  
 D751,380 S \* 3/2016 Torrison ..... D9/416

D751,381 S \* 3/2016 Torrison ..... D9/416  
 D751,382 S \* 3/2016 Torrison ..... D9/416  
 D751,383 S \* 3/2016 Torrison ..... D9/416  
 D751,384 S \* 3/2016 Torrison ..... D9/416  
 D774,887 S \* 12/2016 Torrison ..... D9/416  
 D776,529 S \* 1/2017 Torrison ..... D9/435  
 9,694,946 B2 \* 7/2017 Kapolis ..... B65D 41/0471  
 D816,500 S \* 5/2018 Torrison ..... D9/454  
 D891,174 S \* 7/2020 Cheng ..... D7/391  
 D909,323 S \* 2/2021 Yoshida ..... D13/199  
 D916,590 S \* 4/2021 Albright ..... D9/435  
 D917,281 S \* 4/2021 Will ..... D9/435  
 D917,282 S \* 4/2021 Albright ..... D9/435  
 D917,283 S \* 4/2021 Albright ..... D9/435  
 D917,284 S \* 4/2021 Albright ..... D9/435  
 2005/0133518 A1 \* 6/2005 Chornenky ..... B44D 3/006  
 220/699

OTHER PUBLICATIONS

Unlined Metal Paint Can Lid <https://shop.m2supply.com/1-Gallon-Unlined-Metal-Paint-Can-With-Lid-No-Ears> (Year: 2021).\*  
 Epoxy Lined <https://www.uline.com/Product/Detail/S-17946/Pails/Epoxy-Lined-Metal-Can-with-No-Handle-1-Quart> (Year: 2021).\*

\* cited by examiner

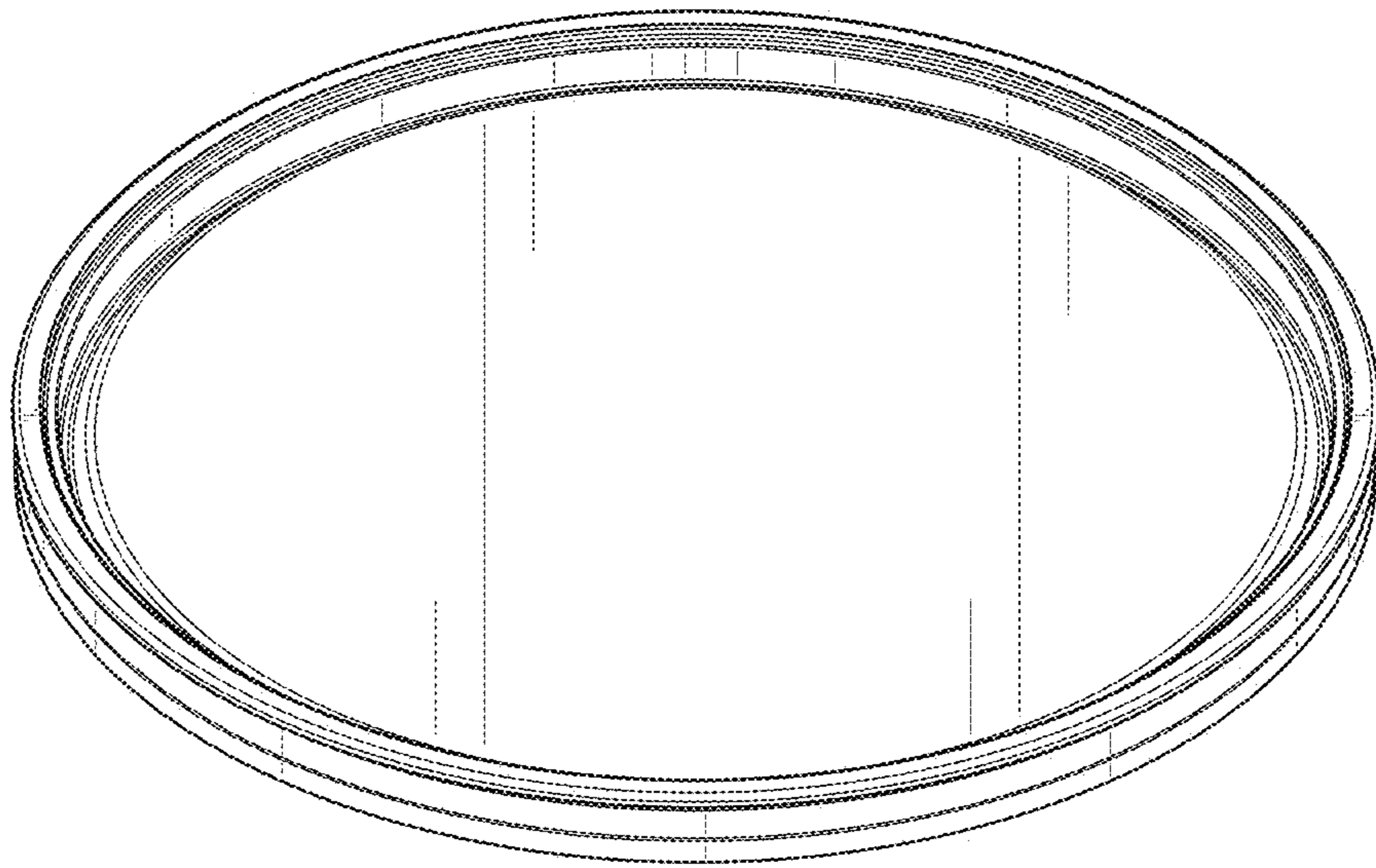


FIG. 1

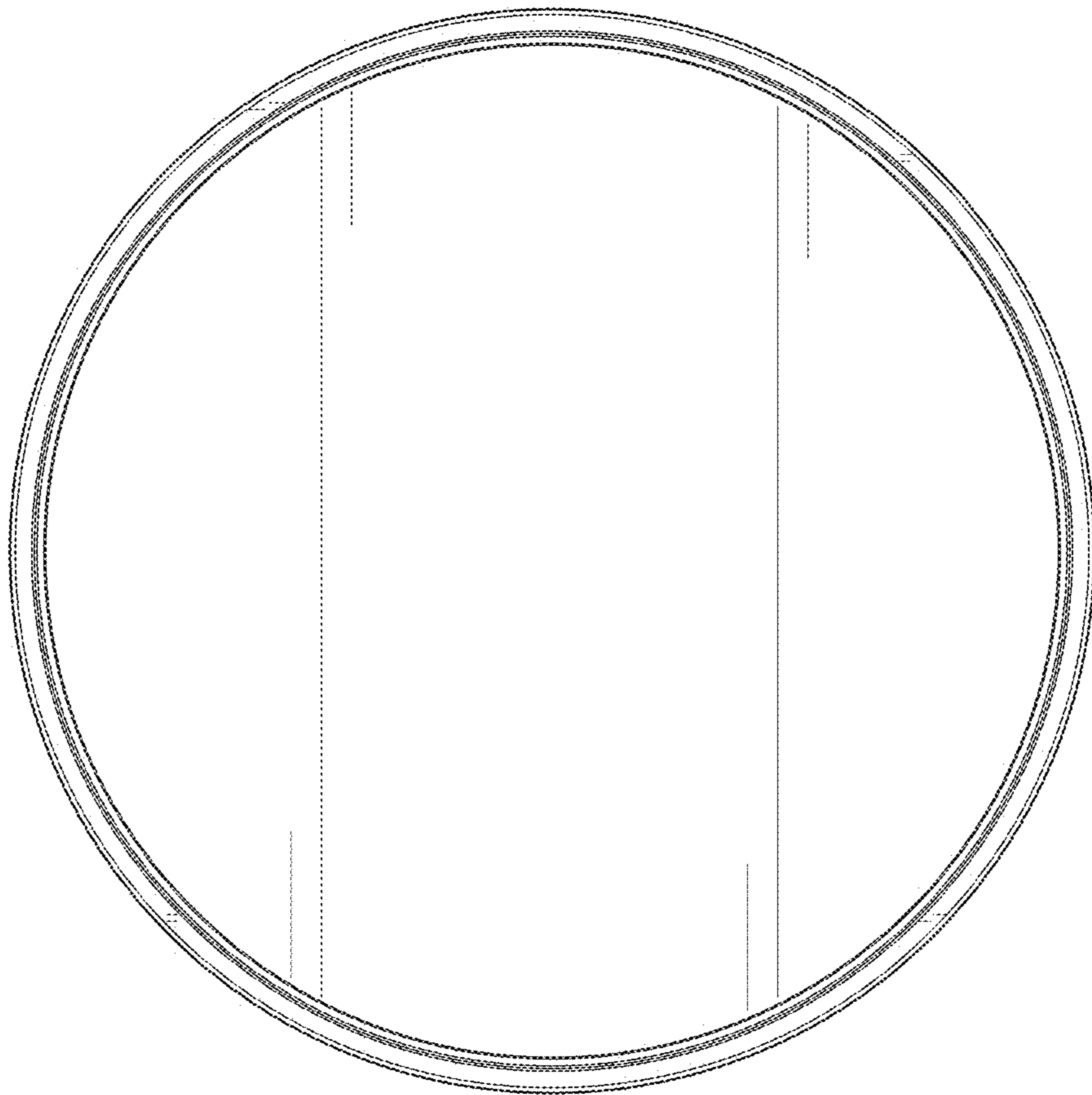


FIG. 2

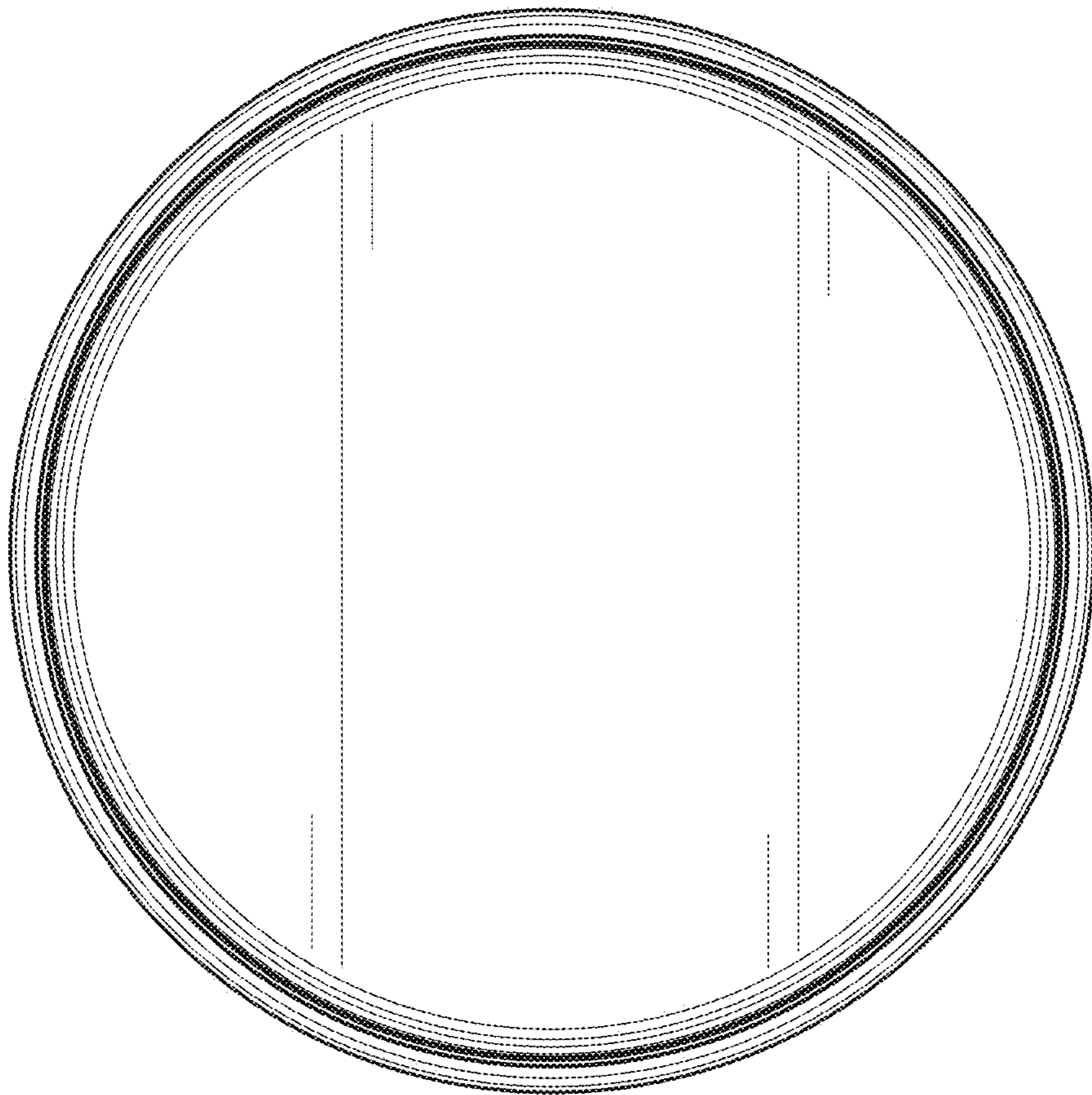


FIG. 3

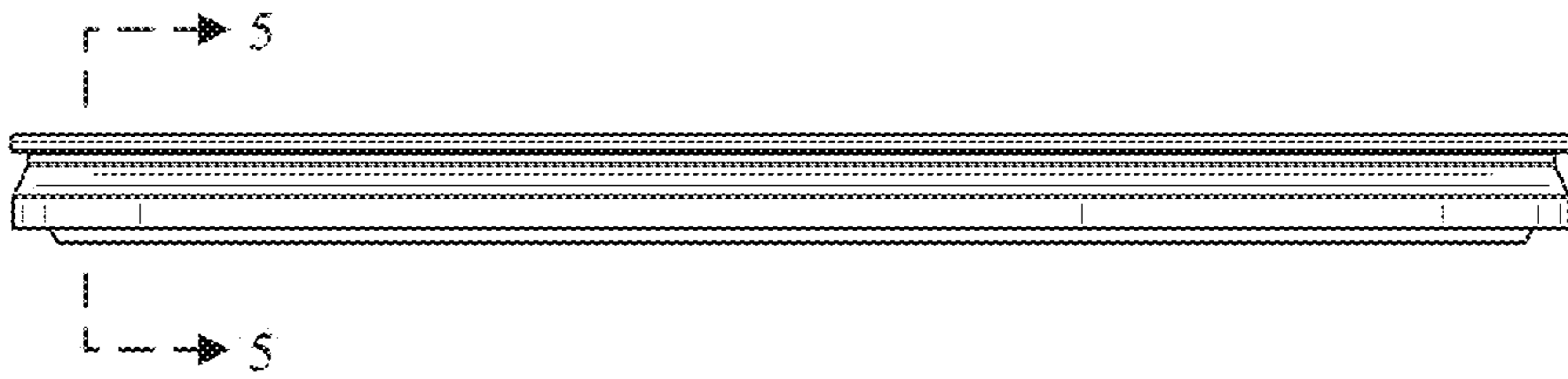


FIG. 4

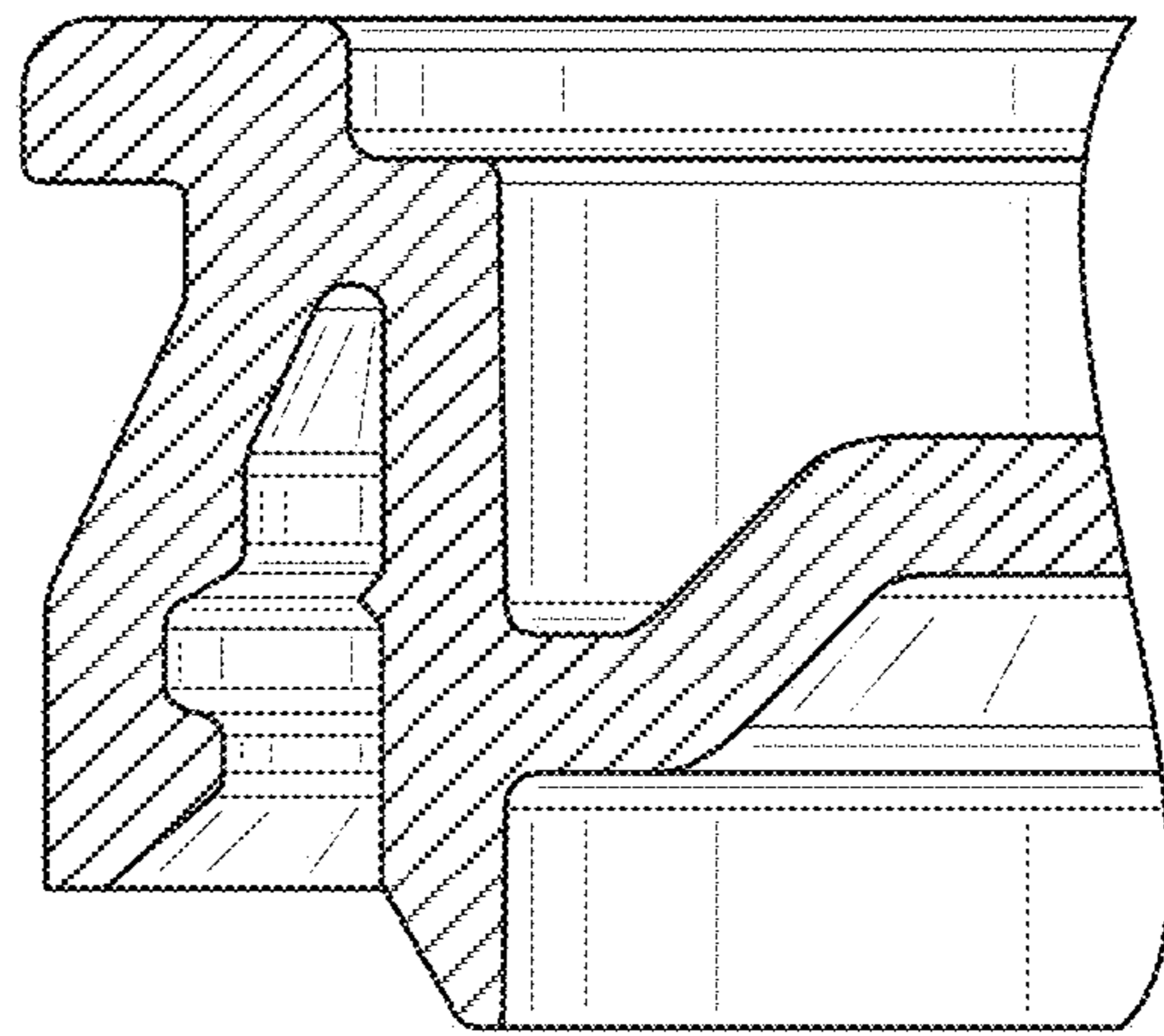


FIG. 5