



US00D941542S

(12) **United States Design Patent**  
**Joseph**

(10) **Patent No.:** **US D941,542 S**  
(45) **Date of Patent:** **\*\* Jan. 18, 2022**

(54) **LAUNDRY BIN LID**  
(71) Applicant: **Joseph Joseph Ltd.**, London (GB)  
(72) Inventor: **Antony Joseph**, London (GB)  
(73) Assignee: **JOSEPH JOSEPH LTD.**, London (GB)

8,910,813 B1 \* 12/2014 Barre ..... D06F 95/002  
220/23.83  
D739,988 S \* 9/2015 Buckner ..... D32/37  
9,745,116 B1 \* 8/2017 Lopez ..... B62B 5/067  
D888,429 S \* 6/2020 Vega ..... D3/307  
D889,759 S \* 7/2020 Tassinari ..... D32/37  
10,863,806 B2 \* 12/2020 Shaffett ..... A45C 13/30

(Continued)

(\*\*) Term: **15 Years**  
(21) Appl. No.: **29/738,372**  
(22) Filed: **Jun. 17, 2020**

(30) **Foreign Application Priority Data**

Dec. 17, 2019 (EM) ..... 007423116

(51) **LOC (13) Cl.** ..... **09-04**  
(52) **U.S. Cl.**  
USPC ..... **D32/37**

(58) **Field of Classification Search**  
USPC ..... D32/37; D9/501-504; D3/303-307  
CPC ..... B65D 6/16; D06F 95/00; B62B 1/14  
See application file for complete search history.

(56) **References Cited**

**U.S. PATENT DOCUMENTS**

4,057,309 A \* 11/1977 Fragale ..... A47B 43/02  
312/290  
D376,231 S \* 12/1996 McLain ..... D32/37  
5,833,336 A \* 11/1998 Dean ..... D06F 95/002  
312/293.2  
5,873,643 A \* 2/1999 Burgess, Jr. .... A47B 96/04  
312/290  
D433,548 S \* 11/2000 Baines ..... D32/37  
D532,568 S \* 11/2006 Rodriguez ..... D32/37  
D550,962 S \* 9/2007 Eskandry ..... D3/305  
D550,963 S \* 9/2007 Eskandry ..... D3/307  
D551,452 S \* 9/2007 Kellogg ..... D3/304  
D661,487 S \* 6/2012 Kraemer ..... D3/304  
D661,488 S \* 6/2012 Kraemer ..... D3/304

**OTHER PUBLICATIONS**

Vonhaus website 2021, Grey Laundry Basket w 2 compartments, site visited Sep. 20, 2021, [https://www.vonhaus.com/vh\\_en/2-compartment-laundry-basket](https://www.vonhaus.com/vh_en/2-compartment-laundry-basket).\*

*Primary Examiner* — John R Yeh

(74) *Attorney, Agent, or Firm* — Millen, White, Zelano & Branigan, PC; Ryan Pool

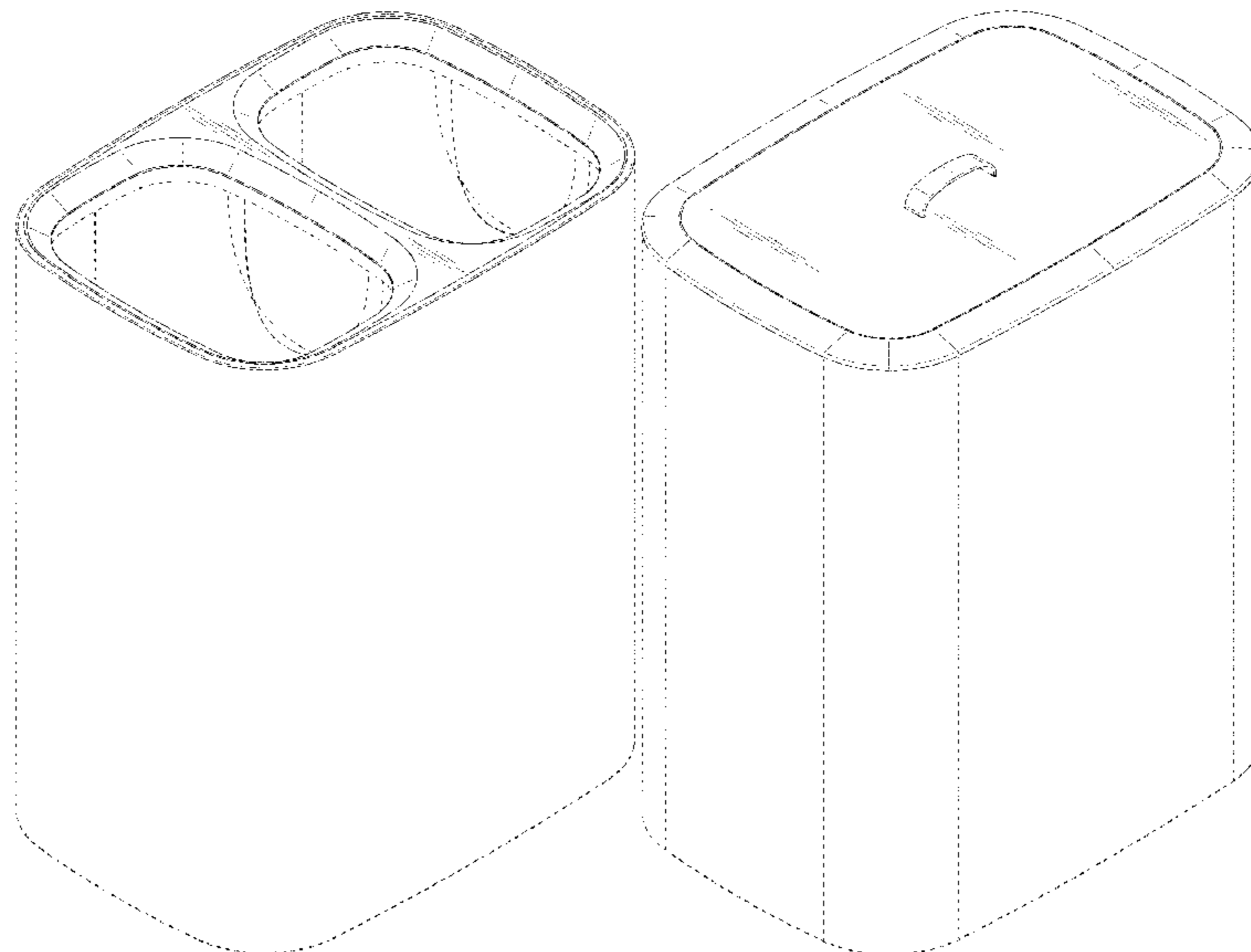
(57) **CLAIM**

The ornamental design for a laundry bin lid, as shown and described.

**DESCRIPTION**

FIG. 1 is a perspective view showing my new design for a laundry bin lid in an open configuration without the lid; FIG. 2 is a top view thereof; FIG. 3 is a perspective view for the landry bin lid in a closed configuration with the lid; FIG. 4 is a front view thereof; FIG. 5 is a side view thereof; FIG. 6 is a rear view thereof; FIG. 7 is a another side view thereof; FIG. 8 is a top view thereof; FIG. 9 is a bottom view thereof; FIG. 10 is top perspective exploded view of the laundry bin lid; and, FIG. 11 is a bottom perspective exploded view thereof. The broken lines in the drawings illustrate portions of the laundry bin lid which form no part of the claimed design.

**1 Claim, 11 Drawing Sheets**



(56)

**References Cited**

U.S. PATENT DOCUMENTS

2001/0027977 A1\* 10/2001 Hall ..... D06F 95/002  
220/523  
2003/0178800 A1\* 9/2003 Fite ..... B62B 1/10  
280/47.38  
2003/0188943 A1\* 10/2003 Freedman ..... D06F 95/002  
190/112  
2007/0075508 A1\* 4/2007 Miller ..... B62D 63/064  
280/47.26  
2021/0139064 A1\* 5/2021 Felsenthal ..... B62B 3/106

\* cited by examiner

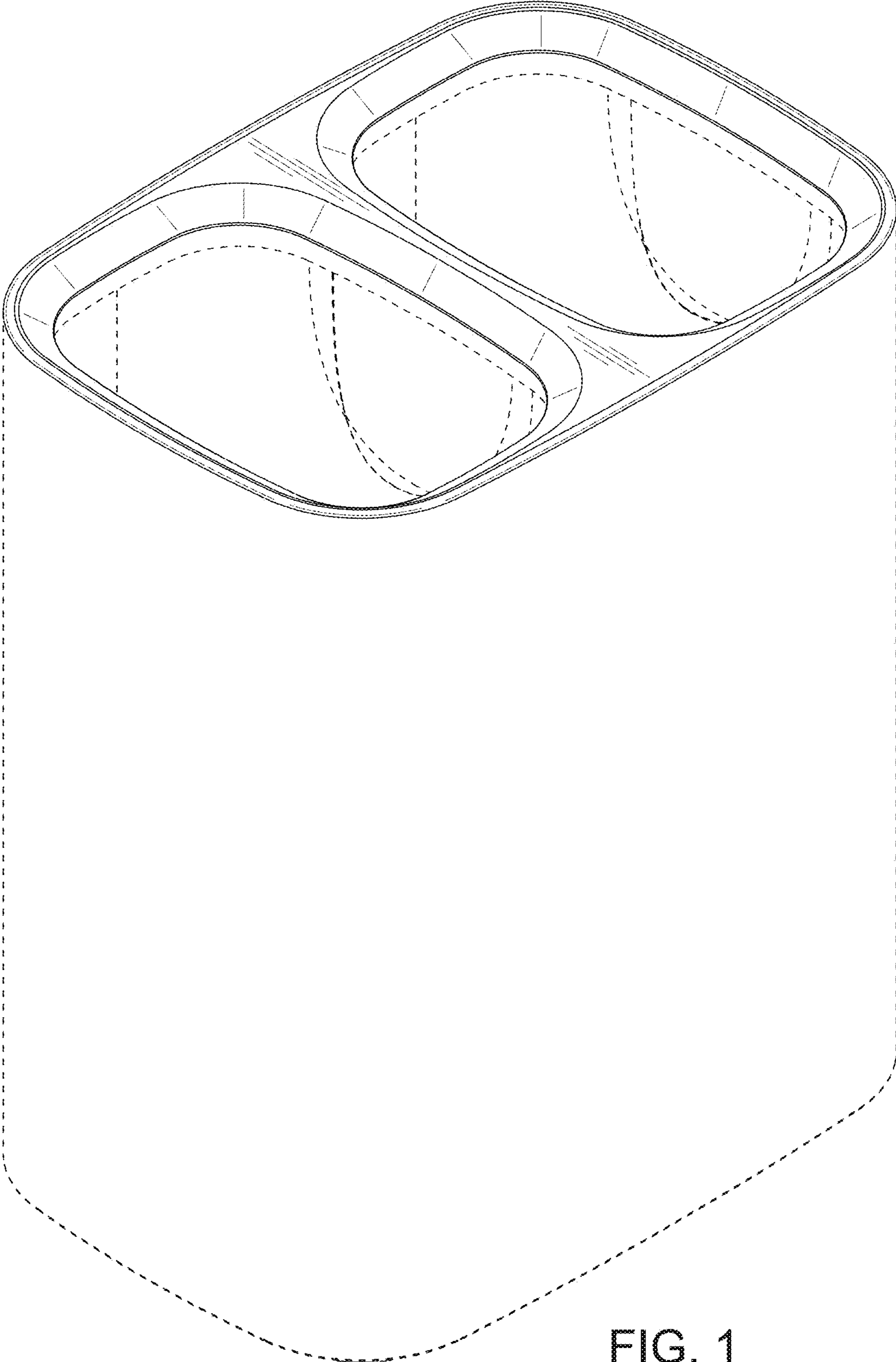


FIG. 1

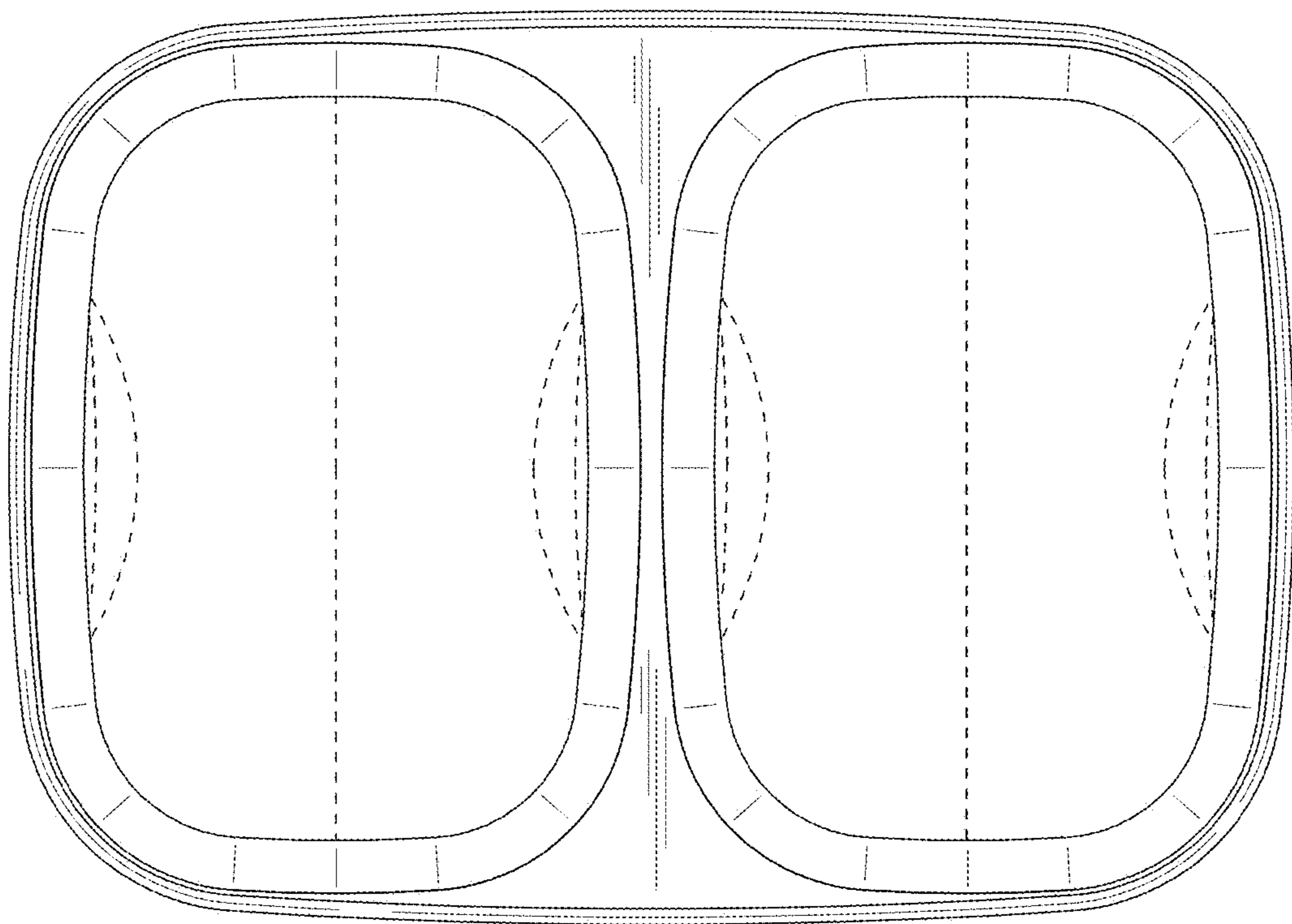


FIG. 2

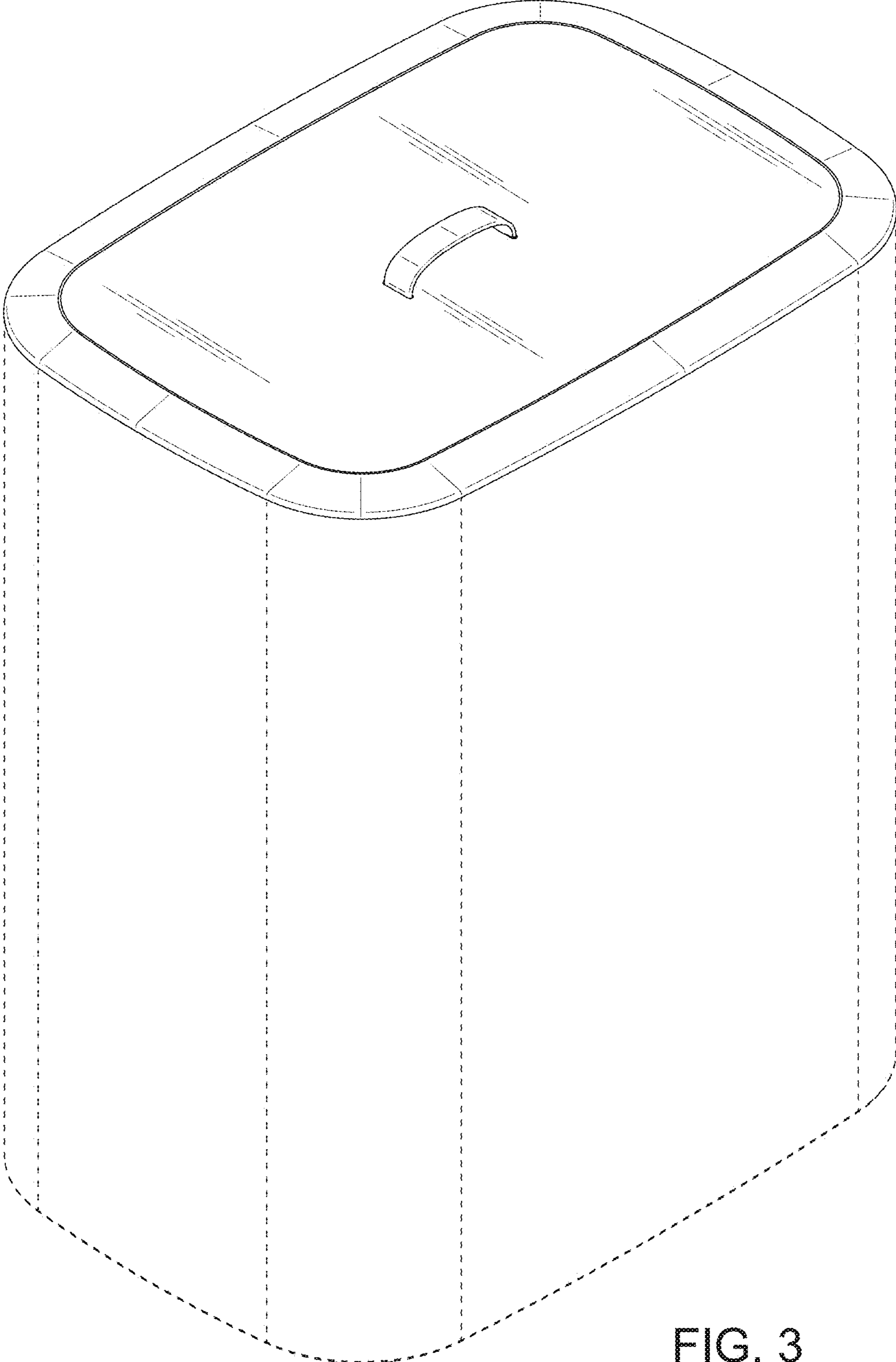


FIG. 3



FIG. 4

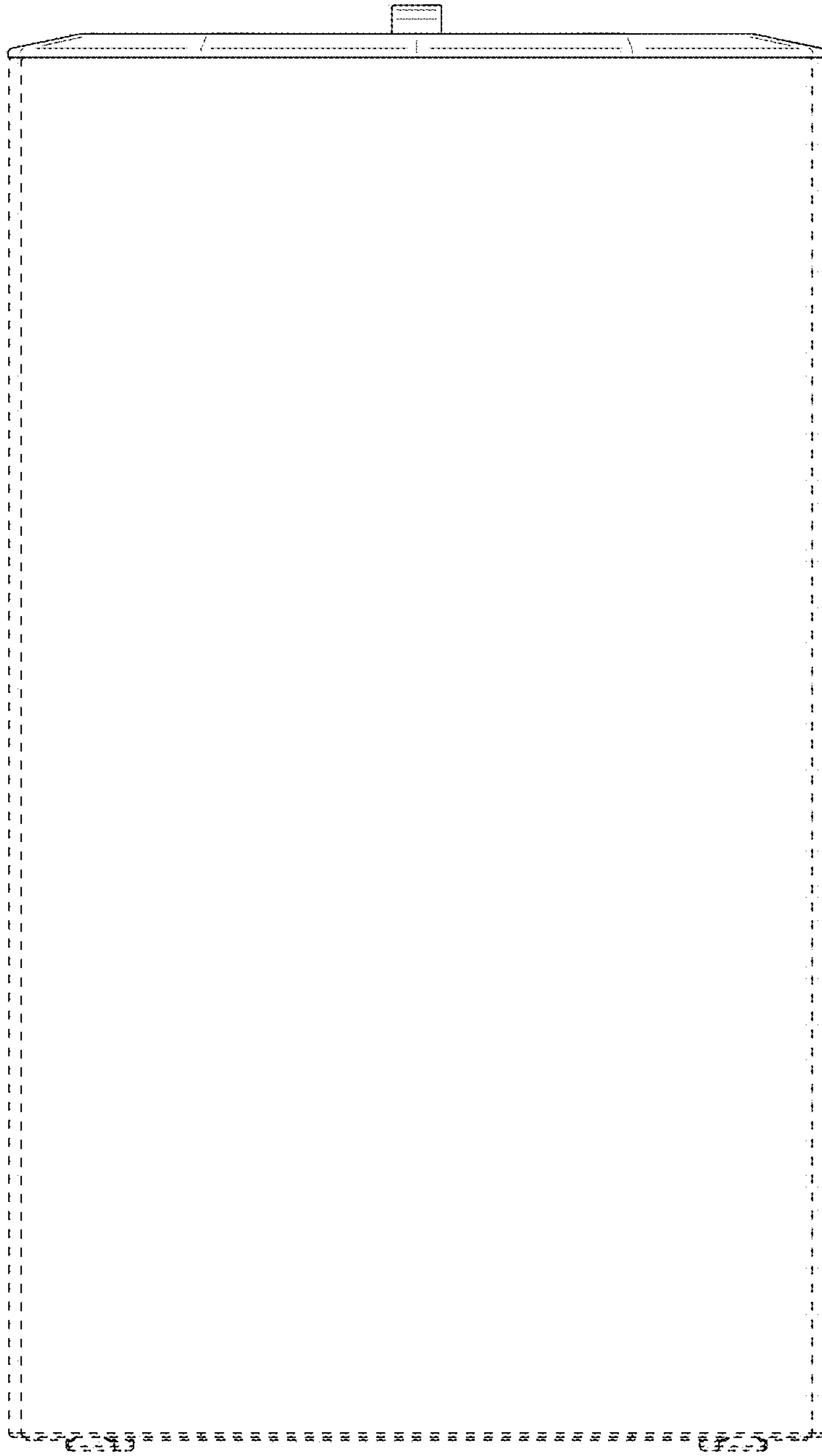


FIG. 5



FIG. 6



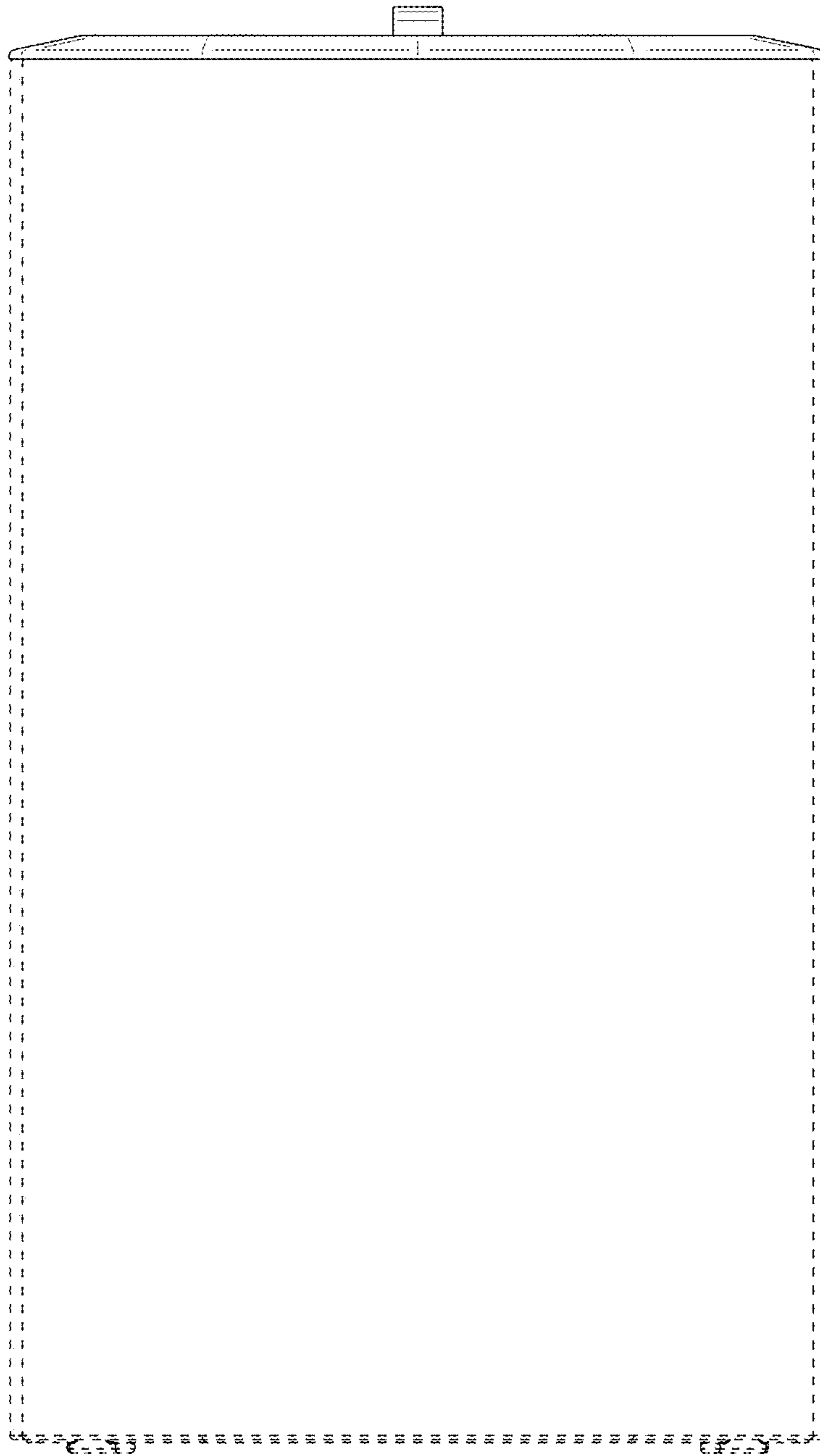


FIG. 7

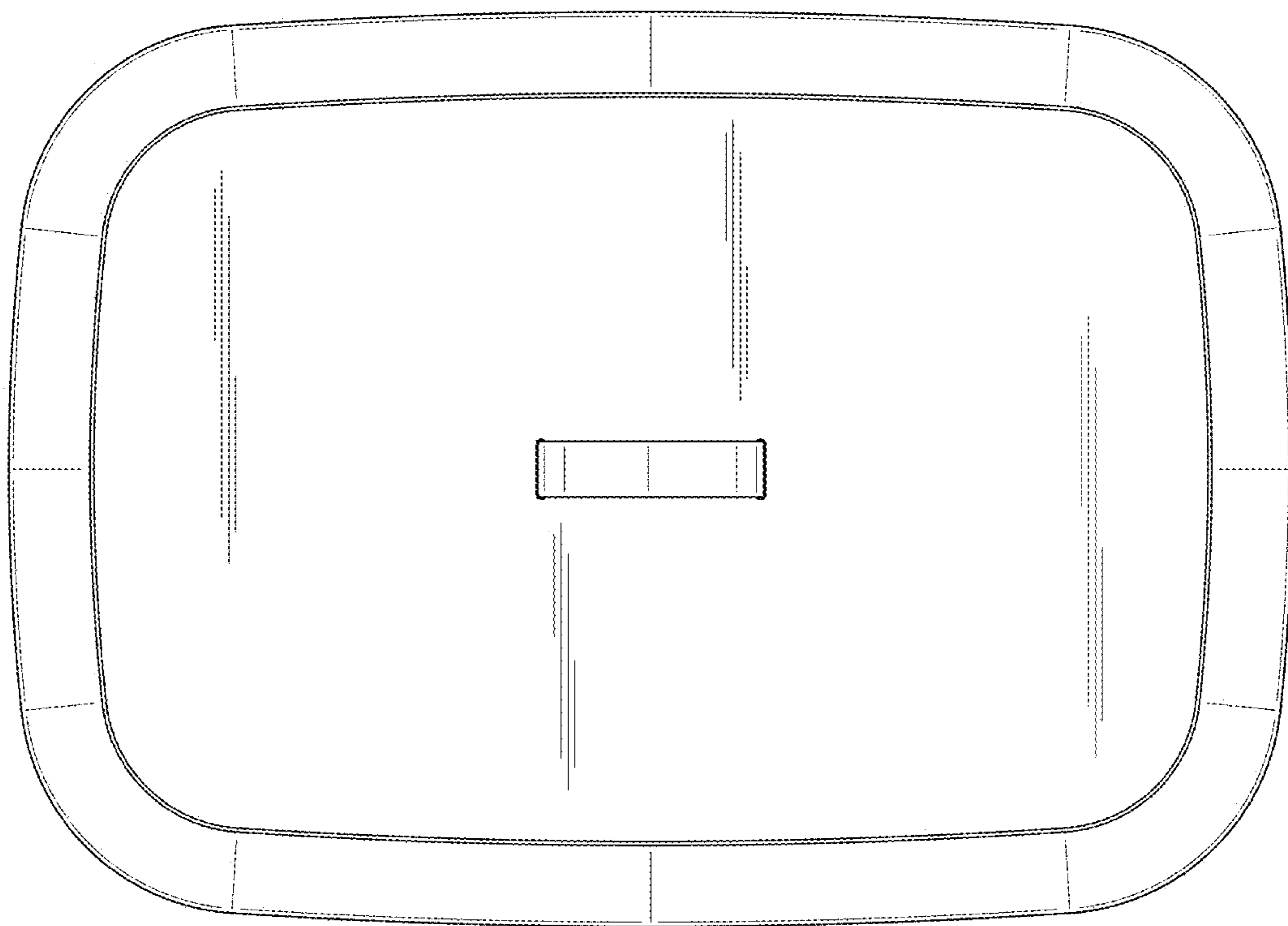


FIG. 8

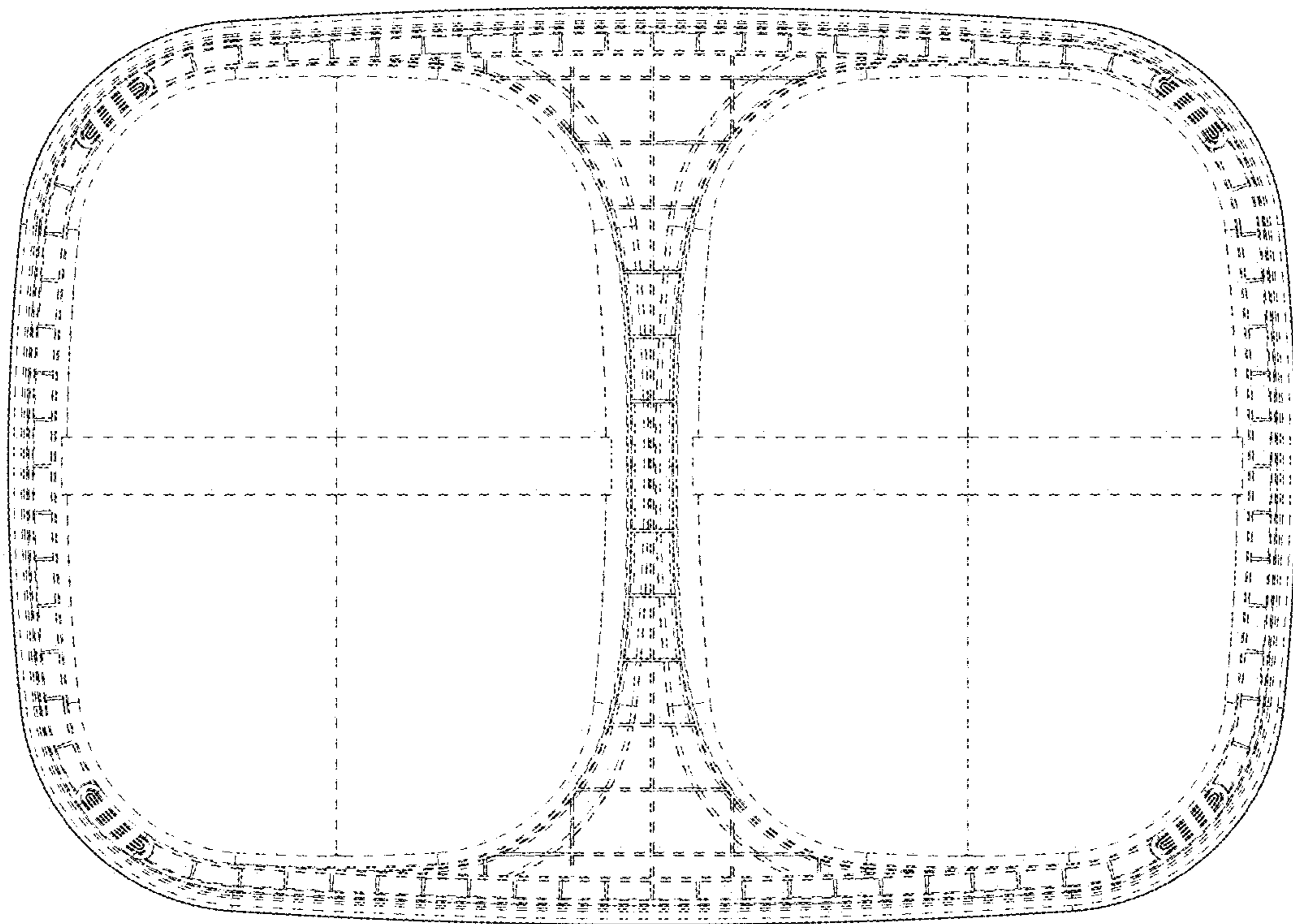


FIG. 9

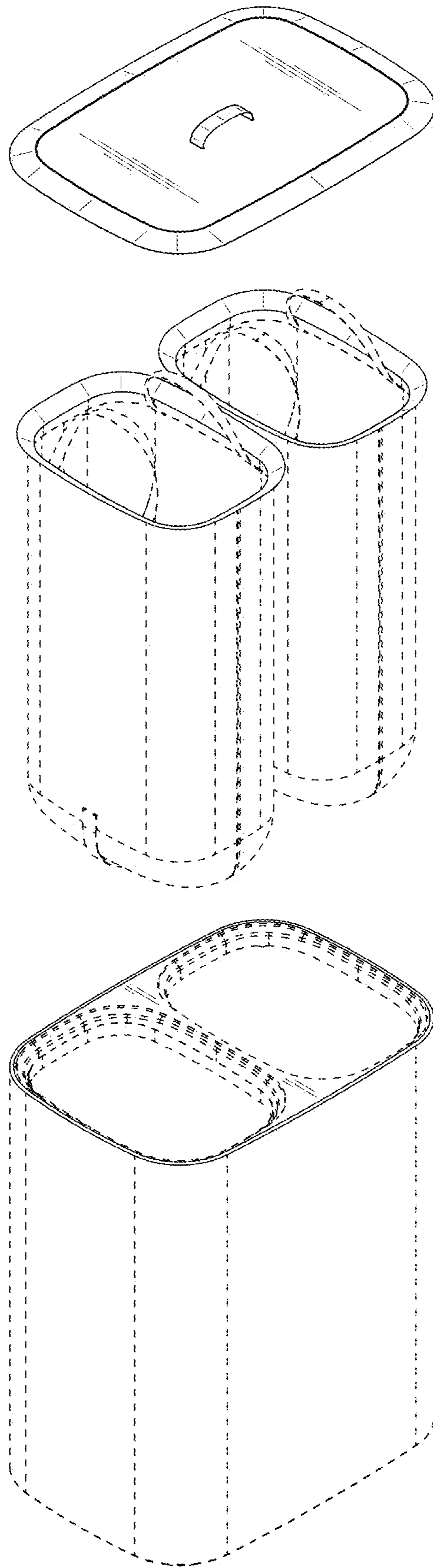


FIG. 10

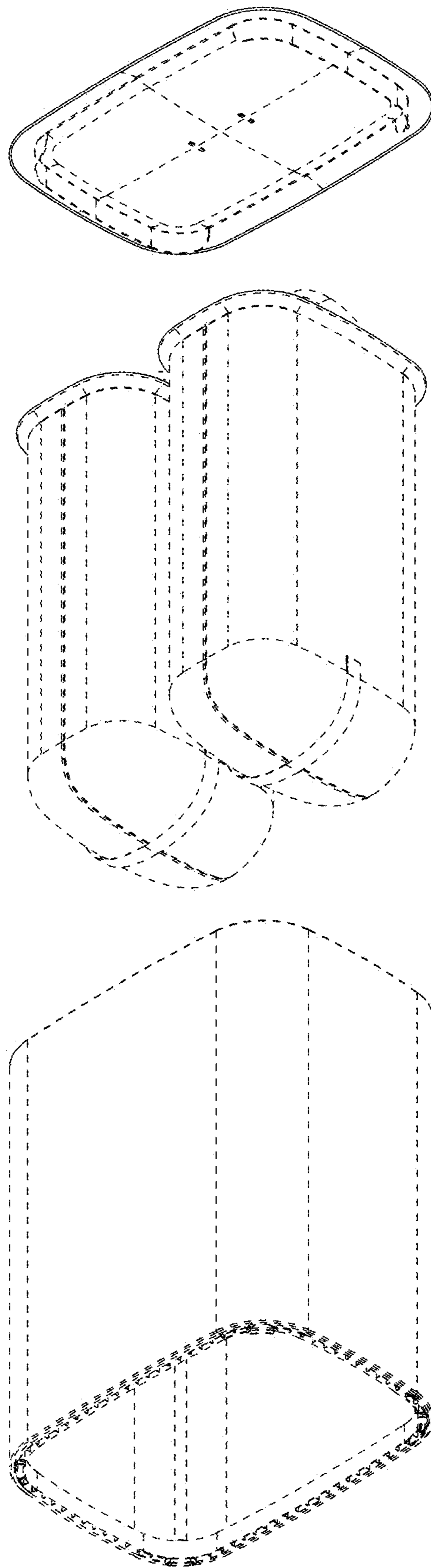


FIG. 11