



US00D941540S

(12) **United States Design Patent** (10) **Patent No.:** **US D941,540 S**
Park (45) **Date of Patent:** **** Jan. 18, 2022**

(54) **PLUNGER FOR CLEANING DRAINS**
(71) Applicant: **MIRI CO., LTD.**, Pocheon-si (KR)
(72) Inventor: **Il Do Park**, Pocheon-si (KR)
(73) Assignee: **MTRI CO., LTD.**, Pocheon-si (KR)
(**) Term: **15 Years**

D755,602 S * 5/2016 Marcus D8/85
D824,626 S * 7/2018 Vosbikian D32/52
10,081,140 B2 * 9/2018 Paesano B29C 70/54
D836,869 S * 12/2018 Wu D32/35
D884,889 S * 5/2020 Cahill D24/133
D887,561 S * 6/2020 Cheng D24/187
D891,218 S * 7/2020 Su D8/107
D906,518 S * 12/2020 Krammer D24/129
D921,893 S * 6/2021 Milella, Jr. D24/133
D921,894 S * 6/2021 Milella, Jr. D24/133
2003/0188605 A1 * 10/2003 Chang B25G 1/066
81/60

(21) Appl. No.: **29/664,130**

(Continued)

(22) Filed: **Sep. 21, 2018**

(51) **LOC (13) Cl.** **15-05**

(52) **U.S. Cl.**
USPC **D32/35; D32/14**

(58) **Field of Classification Search**
USPC D8/107, 160; D24/129, 133, 187;
D32/14, 35

CPC E03C 1/308; E03C 1/306; E03C 1/302;
E03C 1/304; A46B 7/023; E03D 9/00;
B25G 1/066; B29C 70/54

See application file for complete search history.

OTHER PUBLICATIONS

Master Plunger MP 1600 https://www.amazon.com/Products-MP1600-Gallon-Master-Plunger/dp/B000BQLR1Y/ref=asc_df_B000BQLR1Y/ (Year: 2014).*

(Continued)

Primary Examiner — Michelle E. Wilson
Assistant Examiner — Richard E Yenchesky
(74) *Attorney, Agent, or Firm* — Rabin & Berdo, P.C.

(56) **References Cited**

U.S. PATENT DOCUMENTS

D113,158 S * 1/1939 Cashmore D8/82
5,524,296 A * 6/1996 Leighton E03C 1/306
4/255.05
6,145,135 A * 11/2000 Pool E03C 1/308
4/255.09
6,434,760 B1 * 8/2002 Montalvo E03C 1/308
4/255.05
D505,234 S * 5/2005 Tash D32/14
D509,333 S * 9/2005 Tash D32/35
7,299,519 B1 * 11/2007 Garry A46B 7/023
15/104.05
D574,116 S * 7/2008 Yang D32/14
D606,717 S * 12/2009 Xia D32/35
7,752,684 B1 * 7/2010 Pieretti E03C 1/308
4/255.11
D687,690 S * 8/2013 Chen D8/26
D734,114 S * 7/2015 Robinson D8/83

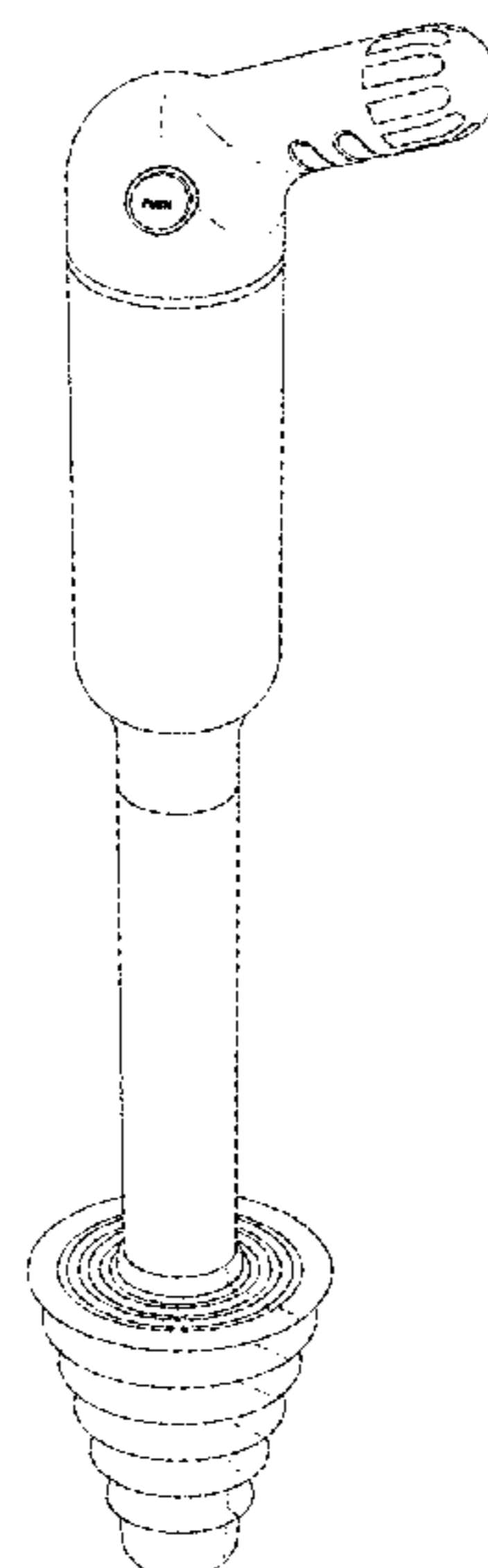
(57) **CLAIM**

The ornamental design for a plunger for cleaning drains, as shown and described.

DESCRIPTION

FIG. 1 is a perspective view of a plunger for cleaning drains; FIG. 2 is a front perspective view thereof; FIG. 3 is a rear elevational view thereof; FIG. 4 is a left side elevational view thereof; FIG. 5 is a right side elevational view thereof; FIG. 6 is a top plan view thereof; and, FIG. 7 is a bottom plan view thereof.

1 Claim, 6 Drawing Sheets



(56)

References Cited

U.S. PATENT DOCUMENTS

2004/0025235 A1* 2/2004 Tash E03D 9/00
4/255.01
2006/0213791 A1* 9/2006 Holden E03C 1/308
206/349
2010/0077541 A1* 4/2010 Stein E03C 1/308
4/255.11
2010/0313345 A1* 12/2010 Stein E03C 1/308
4/255.11
2011/0056007 A1* 3/2011 Caywood E03C 1/302
4/255.11
2014/0182052 A1* 7/2014 Cohen E03C 1/308
4/255.11
2019/0329302 A1* 10/2019 Wu E03C 1/304

OTHER PUBLICATIONS

Toilet plunger/ High pressure drain blaster https://www.amazon.com/Plunger-Bathroom-Pressure-Blaster-Powerful/dp/B07Z39LFRX/ref=sr_1_5 (Year: 2020).*

Samshow Toilet Plunger https://www.amazon.com/Samshow-Designed-Siphon-Type-Environmentally-Stainless/dp/B06ZYLMVFN/ref=sr_1_43 (Year: 2017).*

* cited by examiner

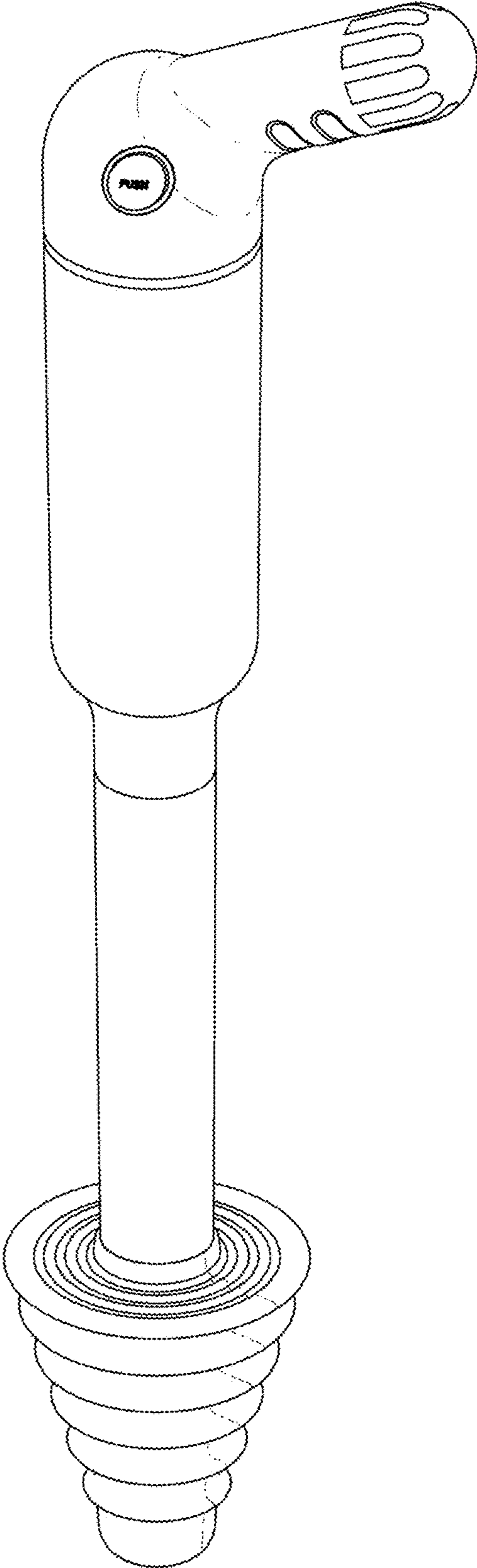


FIG. 1

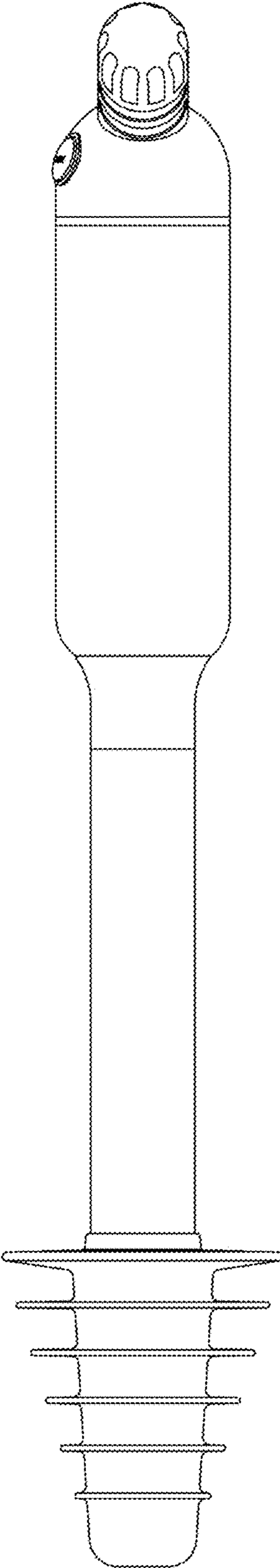


FIG. 2

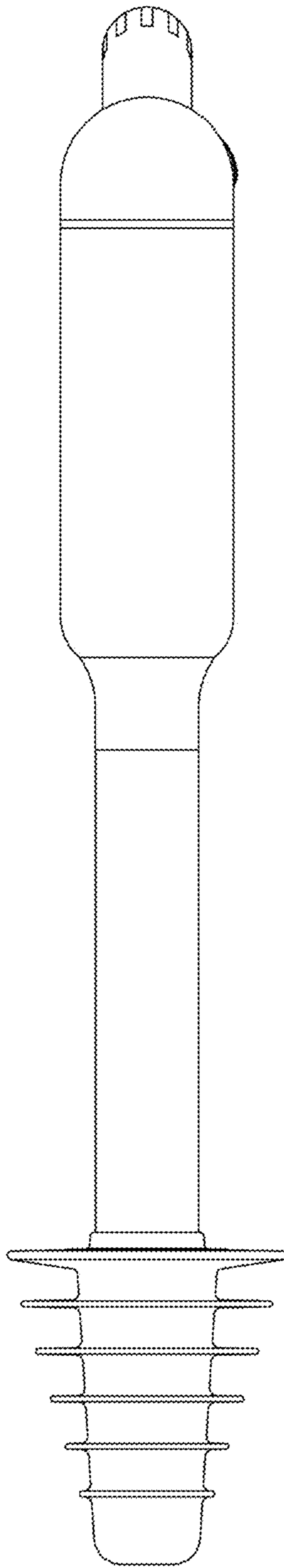


FIG. 3

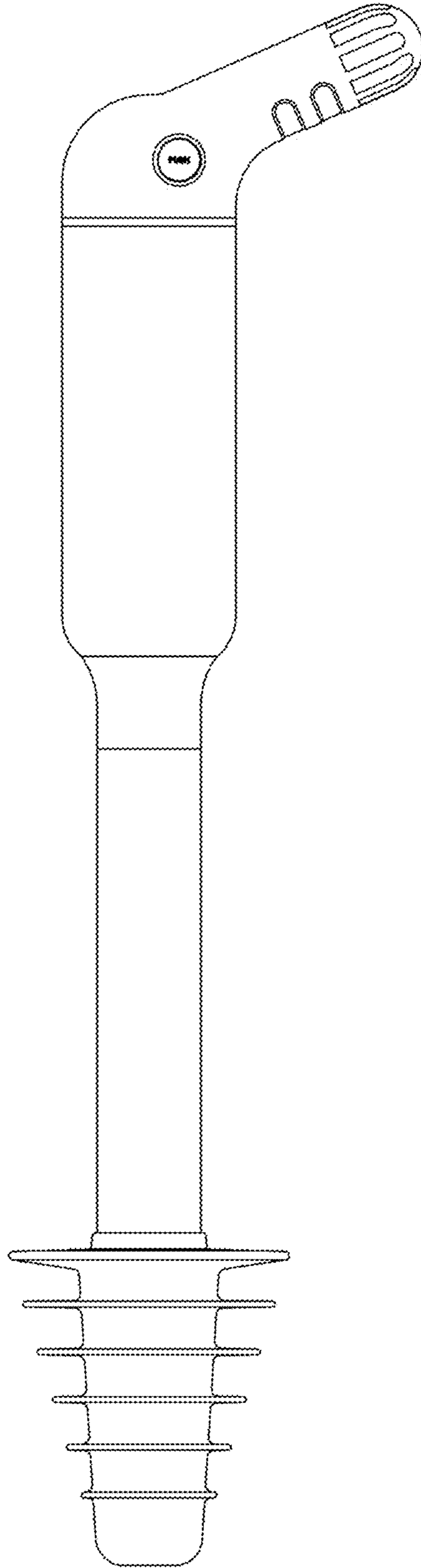


FIG. 4

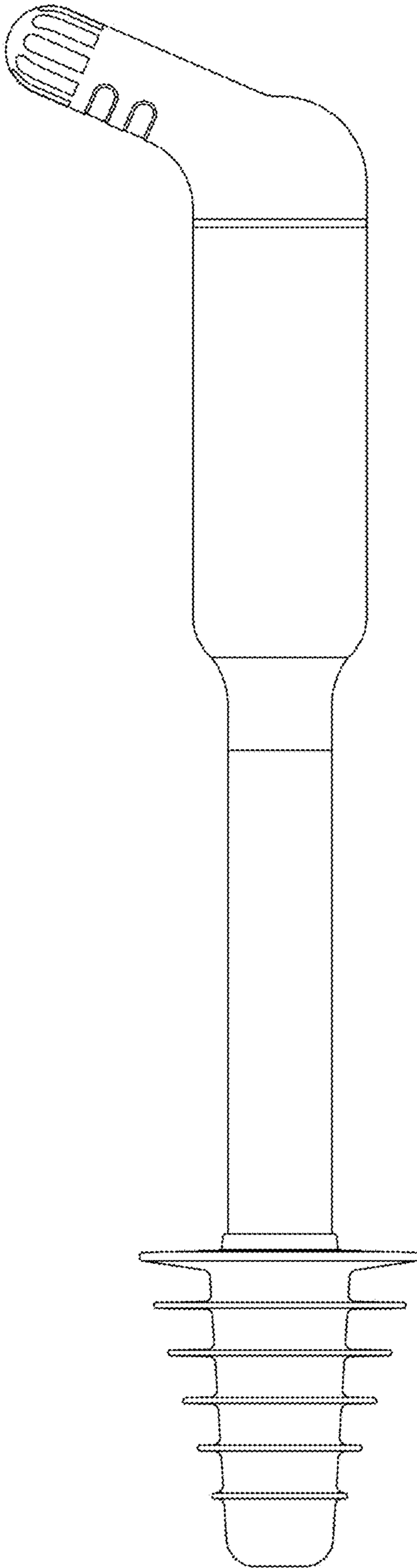


FIG. 5

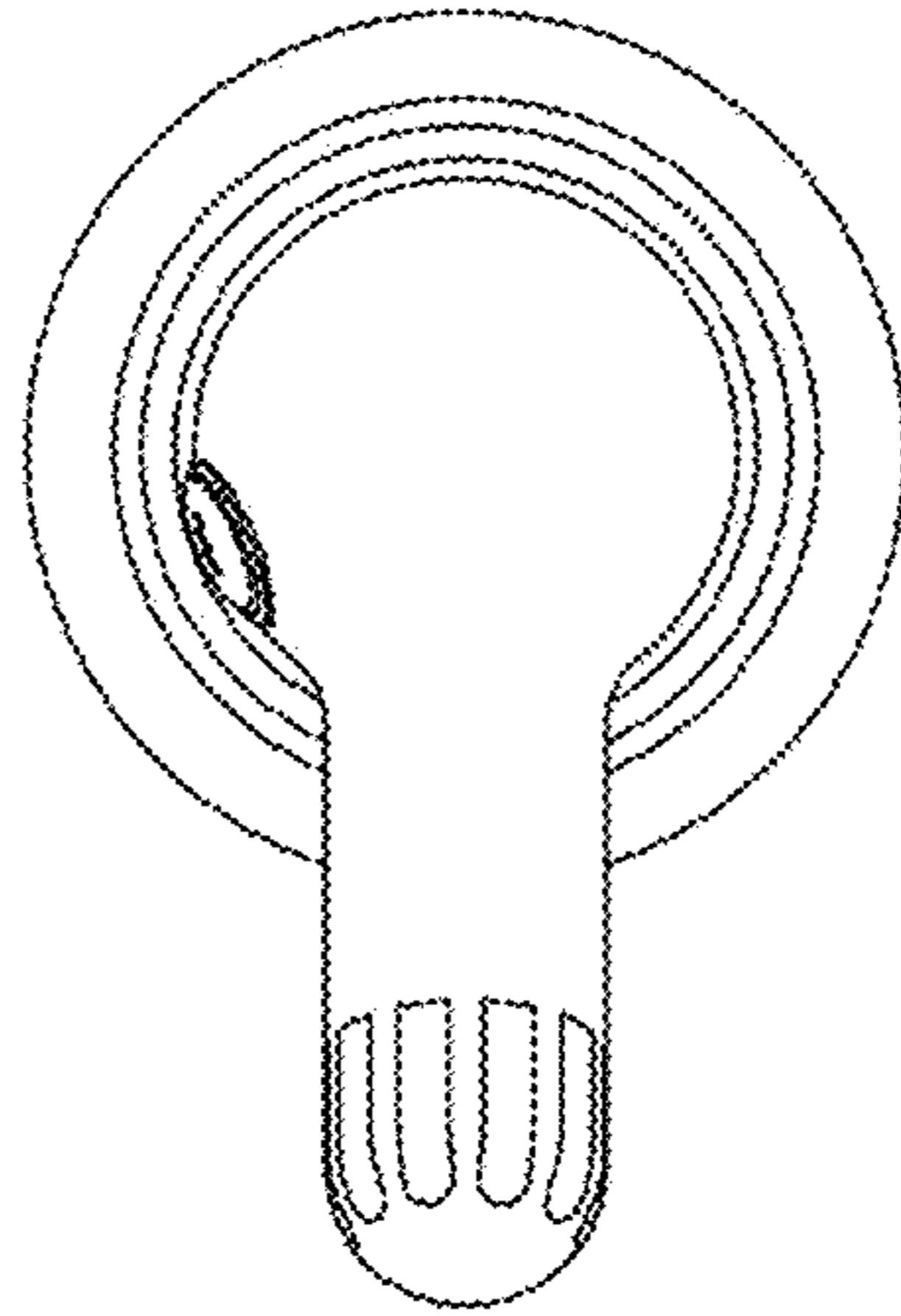


FIG. 6

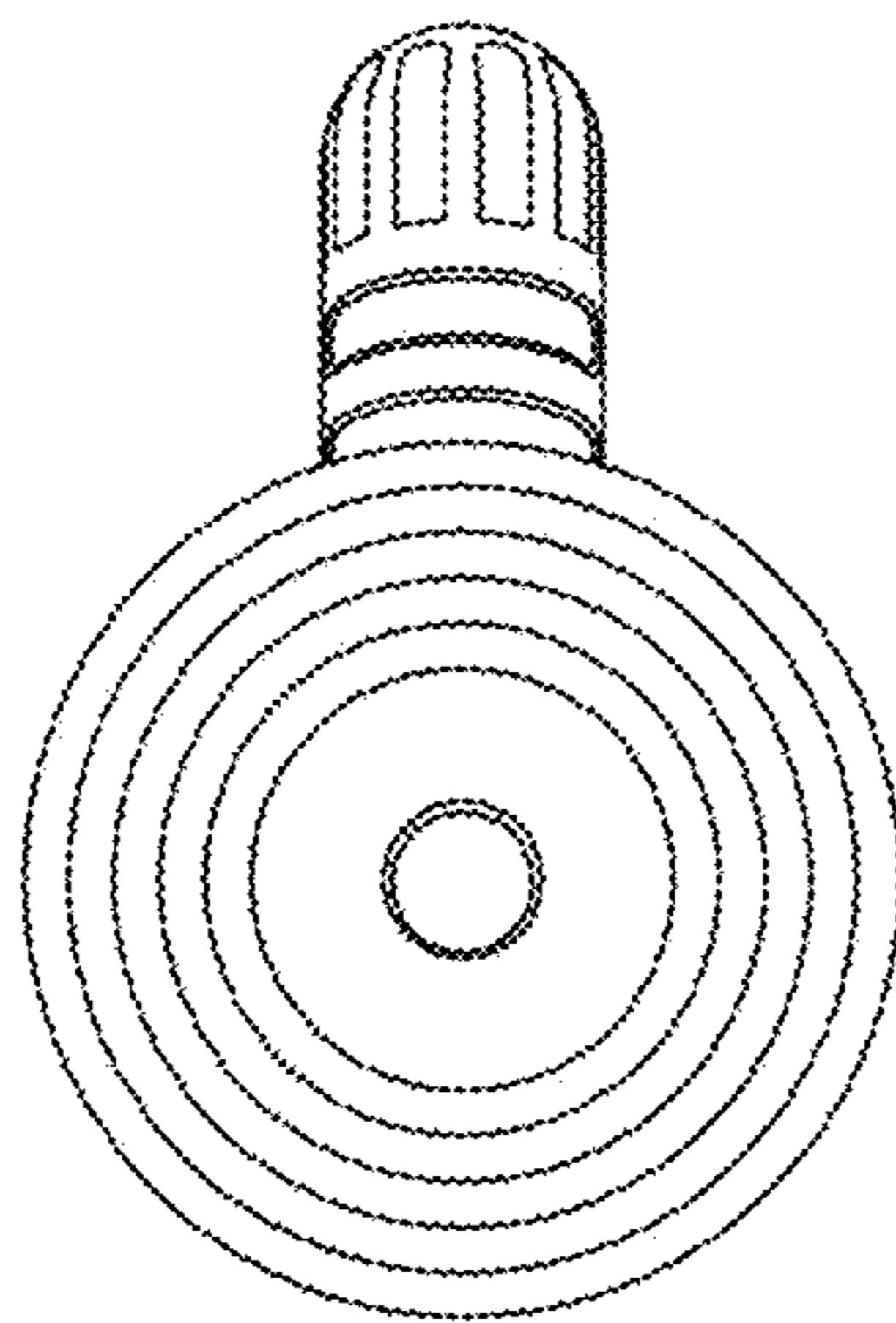


FIG. 7