

US00D941539S

(12) **United States Design Patent**
Crawley et al.

(10) **Patent No.:** **US D941,539 S**
(45) **Date of Patent:** **** Jan. 18, 2022**

- (54) **HANDHELD VACUUM CLEANER**
- (71) Applicant: **Black & Decker, Inc.**, New Britain, CT (US)
- (72) Inventors: **Graeme Crawley**, Newcastle upon Tyne (GB); **Martin Harnett**, Stockton-on-Tees (GB)
- (73) Assignee: **Black & Decker, Inc.**, New Britain, CT (US)
- (**) Term: **15 Years**
- (21) Appl. No.: **29/691,643**
- (22) Filed: **May 17, 2019**
- (51) **LOC (13) Cl.** **15-05**
- (52) **U.S. Cl.**
USPC **D32/18**
- (58) **Field of Classification Search**
USPC D32/17, 18, 21, 22, 31; D21/526
CPC A47L 5/24; A47L 5/26; A47L 5/28; A47L 9/102; A47L 9/122; A47L 9/127; A47L 9/1608; A47L 9/1683; A47L 9/2857; A47L 9/2884; A47L 9/32; A47L 9/322; B04C 5/185; B08B 3/04; B01D 2279/55; B23Q 11/0046; B23Q 11/0071; E04H 4/1636; Y10T 29/49716
See application file for complete search history.

D608,511 S * 1/2010 Okuda D32/18
D640,021 S * 6/2011 Houghton D32/18
D640,848 S * 6/2011 Houghton D32/18
(Continued)

FOREIGN PATENT DOCUMENTS

CA 165431 * 6/2016
CN 301720839 * 11/2011
GB 2048369 * 7/1996

OTHER PUBLICATIONS

Black+Decker dustbuster Handheld Vacuum for Pets, available in Amazon.ca, date first available May 1, 2019 [online], [site visited Mar. 3, 2021], Available from the internet URL: https://www.amazon.ca/dp/B07R89PJY6/ref=cm_sw_em_r_mt_imm_awdb_Q3T2SVPM6ET0RVV746XT (Year: 2019).
(Continued)

Primary Examiner — Dana K Weiland
Assistant Examiner — Jennylou M Binas
(74) *Attorney, Agent, or Firm* — John Yun

(57) **CLAIM**

The ornamental design for a handheld vacuum cleaner, as shown and described.

DESCRIPTION

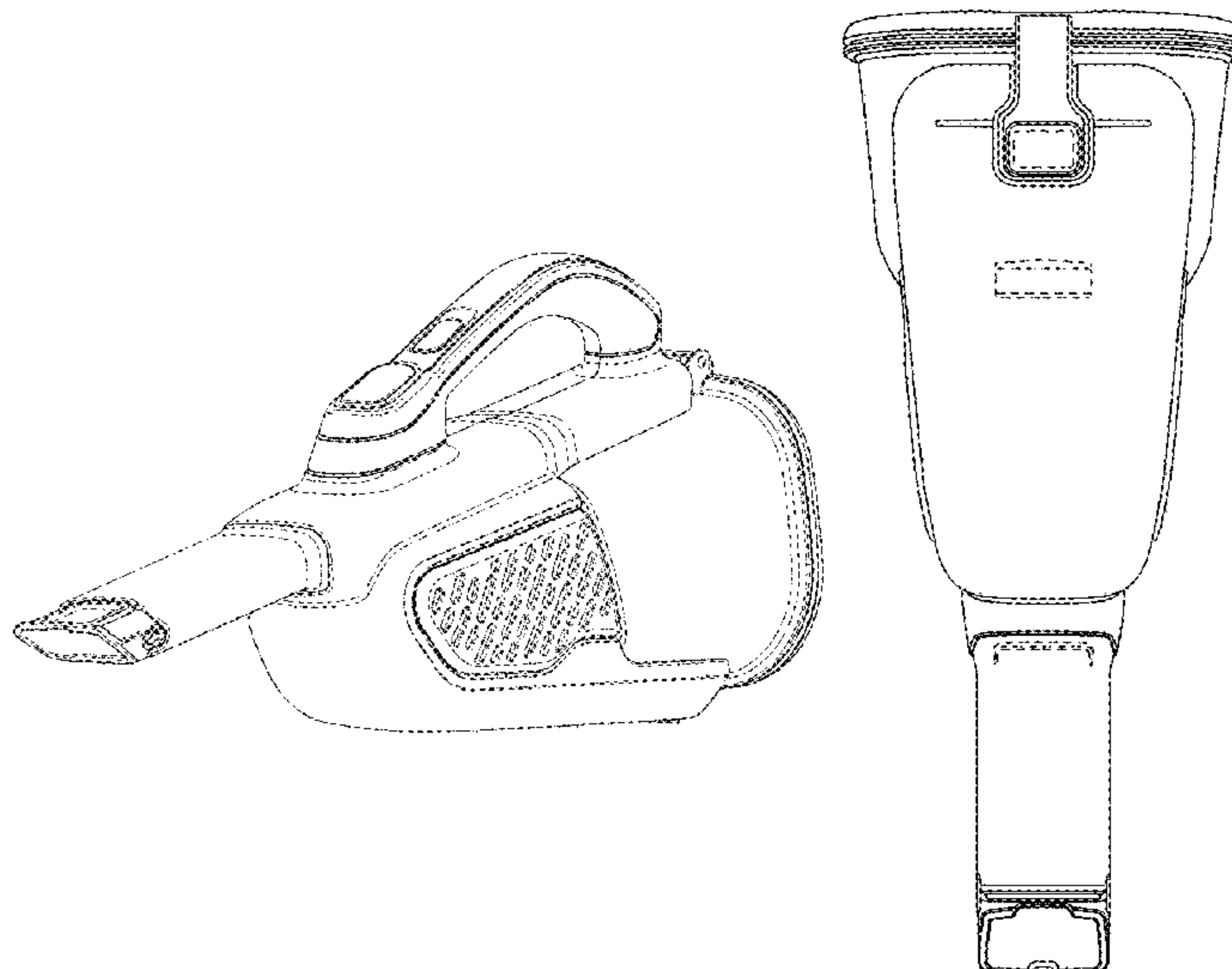
FIG. 1 is a perspective view of a handheld vacuum cleaner showing our new design;
FIG. 2 is a right side view thereof;
FIG. 3 is a left side view thereof;
FIG. 4 is a front view thereof;
FIG. 5 is a rear view thereof;
FIG. 6 is a top plan view thereof; and,
FIG. 7 is a bottom plan thereof.
The broken lines shown in the drawings depict portions of the handheld vacuum cleaner that form no part of the claimed design.

1 Claim, 7 Drawing Sheets

(56) **References Cited**

U.S. PATENT DOCUMENTS

D456,960 S * 5/2002 Vandebelt D32/18
D468,068 S * 12/2002 Mok D32/18
D480,845 S * 10/2003 Ki D32/18
D501,065 S * 1/2005 Ma D32/18
D506,297 S * 6/2005 Buzzi D32/17
D526,752 S * 8/2006 Rosenzweig D32/18
D528,715 S * 9/2006 Carr D32/18
D528,716 S * 9/2006 Yuen D32/18
D579,161 S * 10/2008 Crawley D32/18
D608,063 S * 1/2010 Okuda D32/18



(56)

References Cited

U.S. PATENT DOCUMENTS

D641,111	S *	7/2011	Houghton	D32/18
D653,008	S *	1/2012	Houghton	D32/18
D660,527	S *	5/2012	Kawase	D32/18
D660,528	S *	5/2012	Okuda	D32/18
D720,101	S *	12/2014	Erlich	D32/18
D725,327	S *	3/2015	Houghton	D32/18
D725,852	S *	3/2015	Houghton	D32/18
D812,327	S *	3/2018	Houghton	D32/18
D865,304	S *	10/2019	Sugie	D32/18
10,874,276	B2 *	12/2020	Hird	A47L 9/02
2018/0132687	A1 *	5/2018	Reeves	A47L 9/2857
2018/0132688	A1 *	5/2018	Walker	A47L 9/149
2019/0099051	A1 *	4/2019	Hird	A47L 5/24

OTHER PUBLICATIONS

Black+Decker Platinum BDH2000L, available in Amazon.ca, date first available Apr. 29, 2013 [online], [site visited Mar. 3, 2021], Available from the internet URL: https://www.amazon.ca/Platinum-BDH2000L-20-Volt-Lithium-Cordless/dp/B008R3F0J8/ref=sr_1_3?dchild=1&keywords=BLACK%2BDECKER+Platinum+BDH2000L+20-Volt+Max+Lithium+Ion+Cordless+Hand+Vacu&qid=1614802176&s=kitchen&sr=1-3 (Year: 2013).*

* cited by examiner

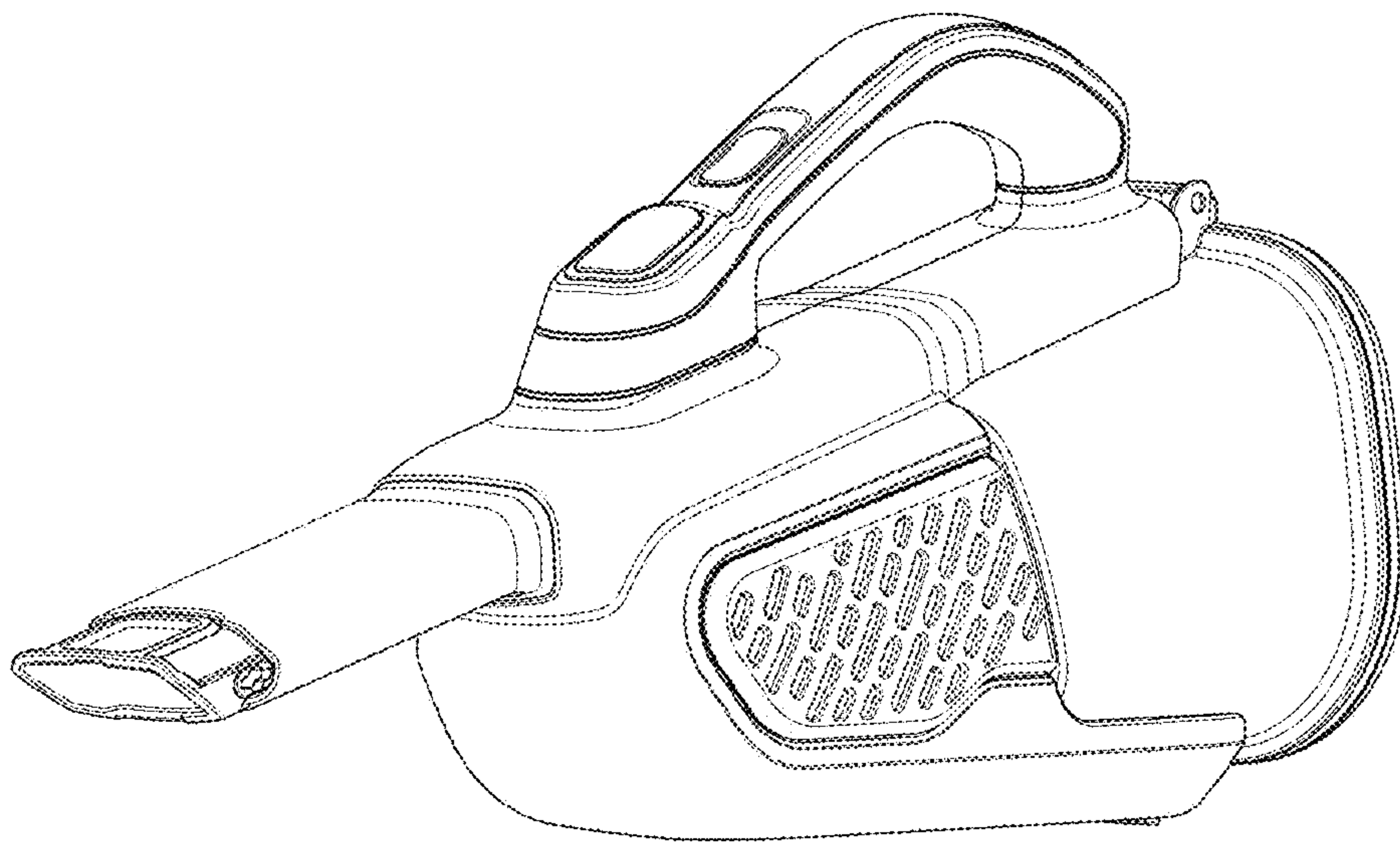


FIG. 1

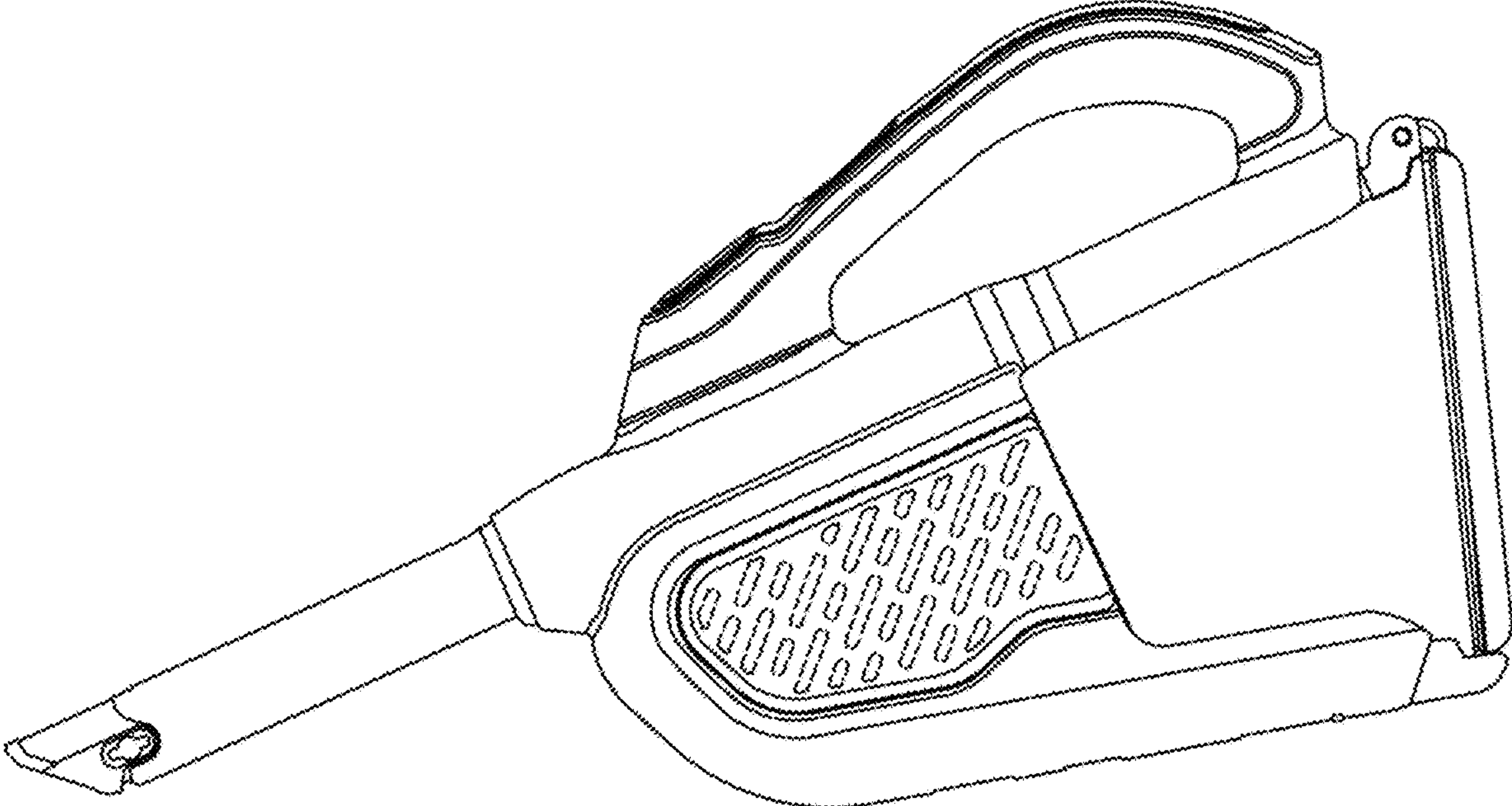


FIG. 2

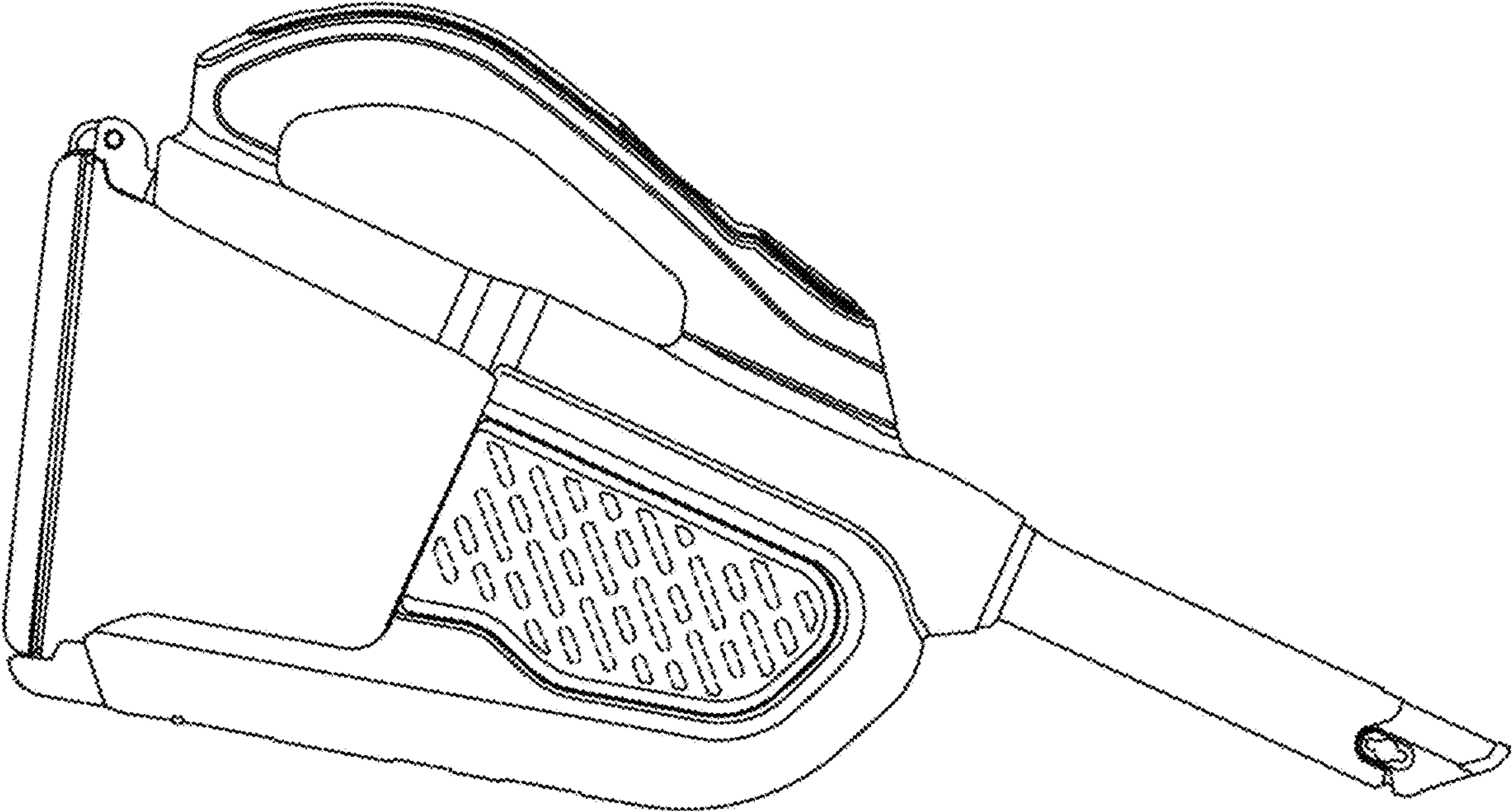


FIG. 3

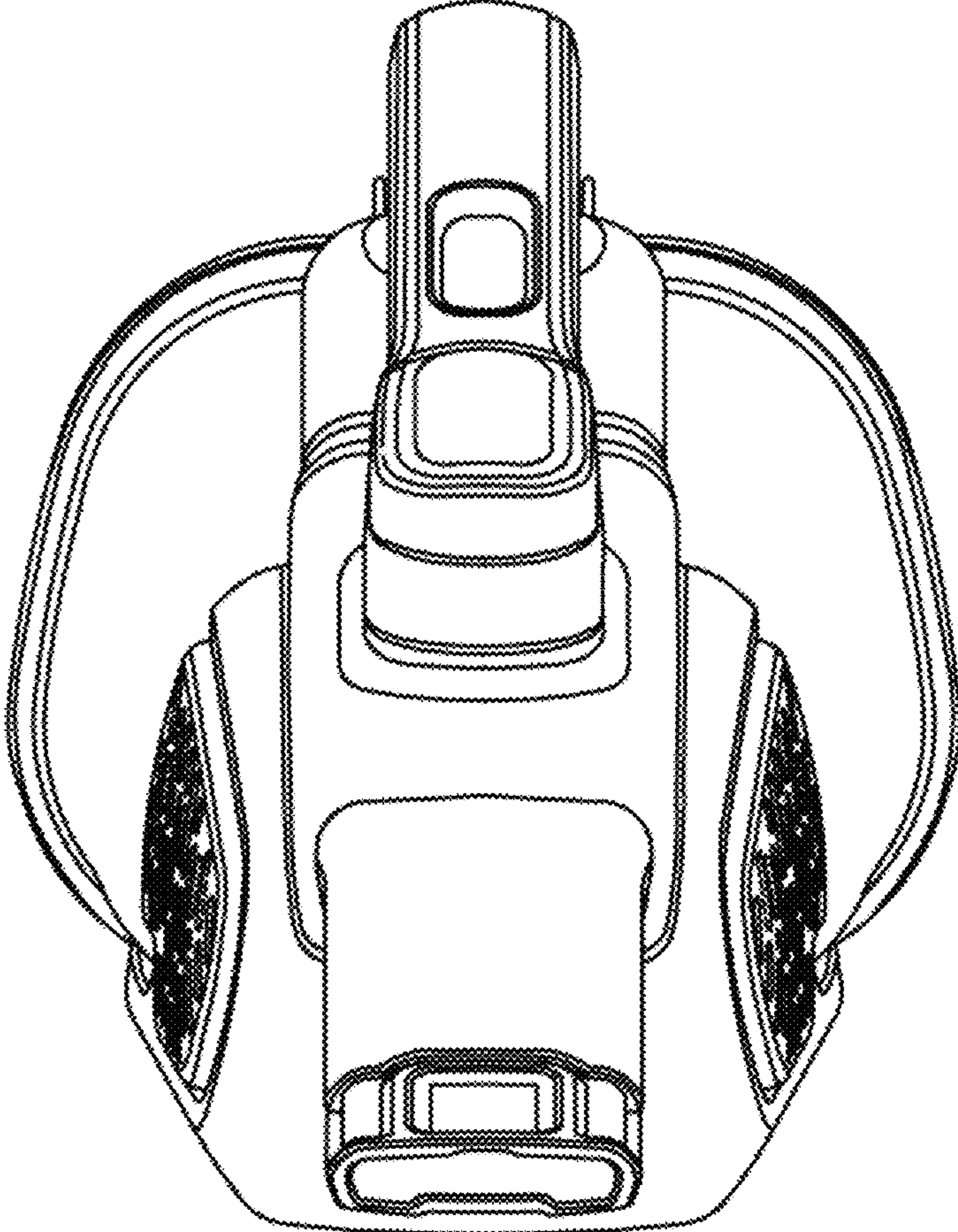


FIG. 4

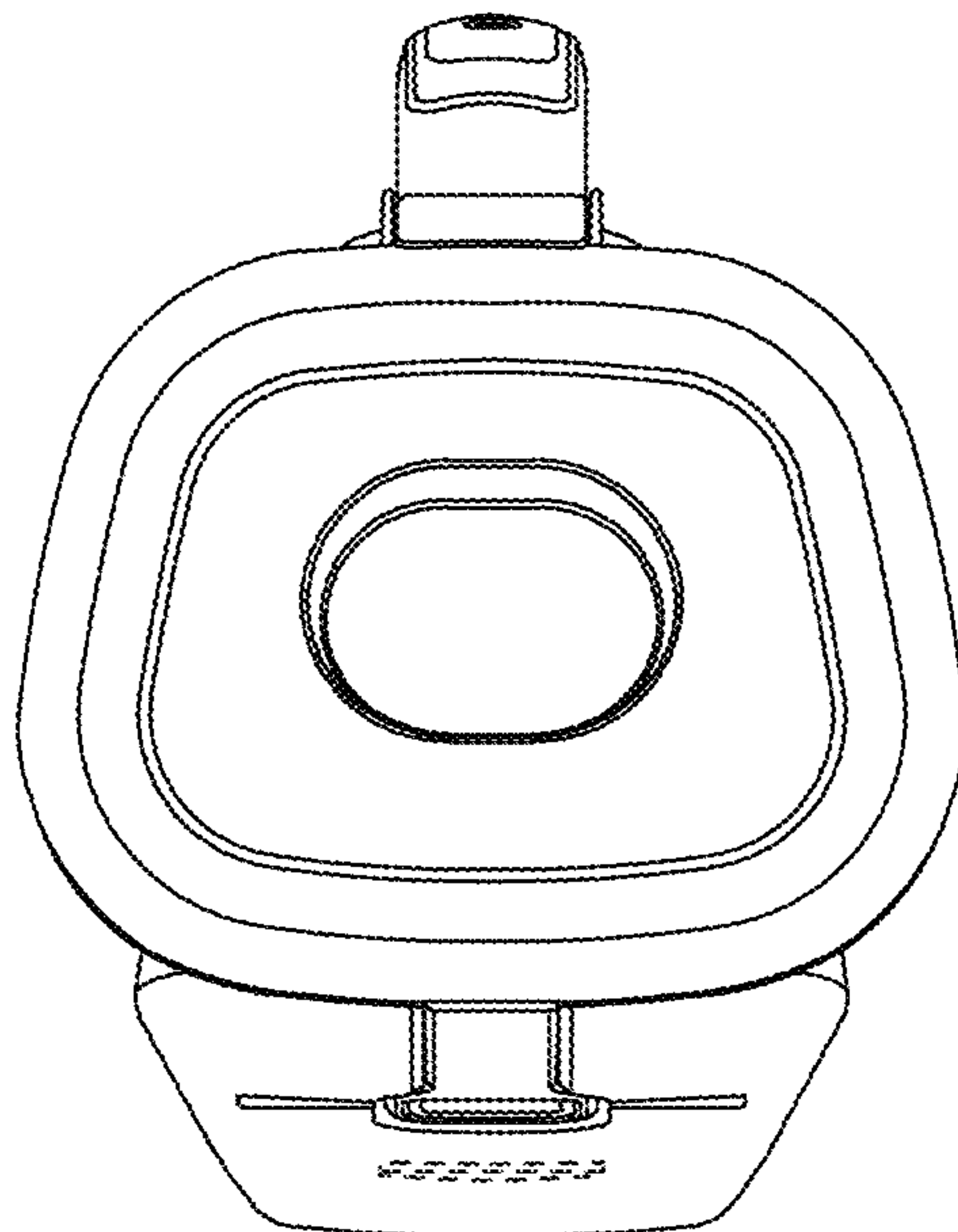


FIG. 5

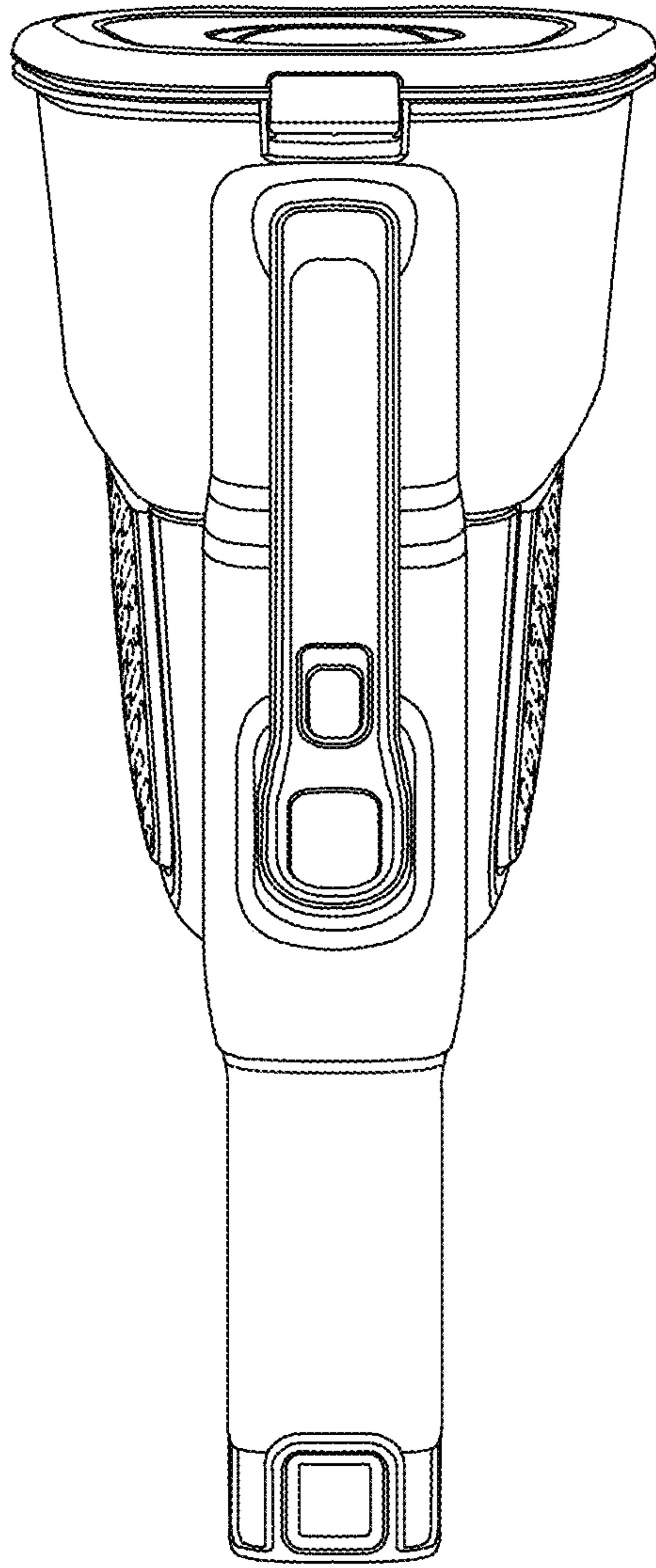


FIG. 6

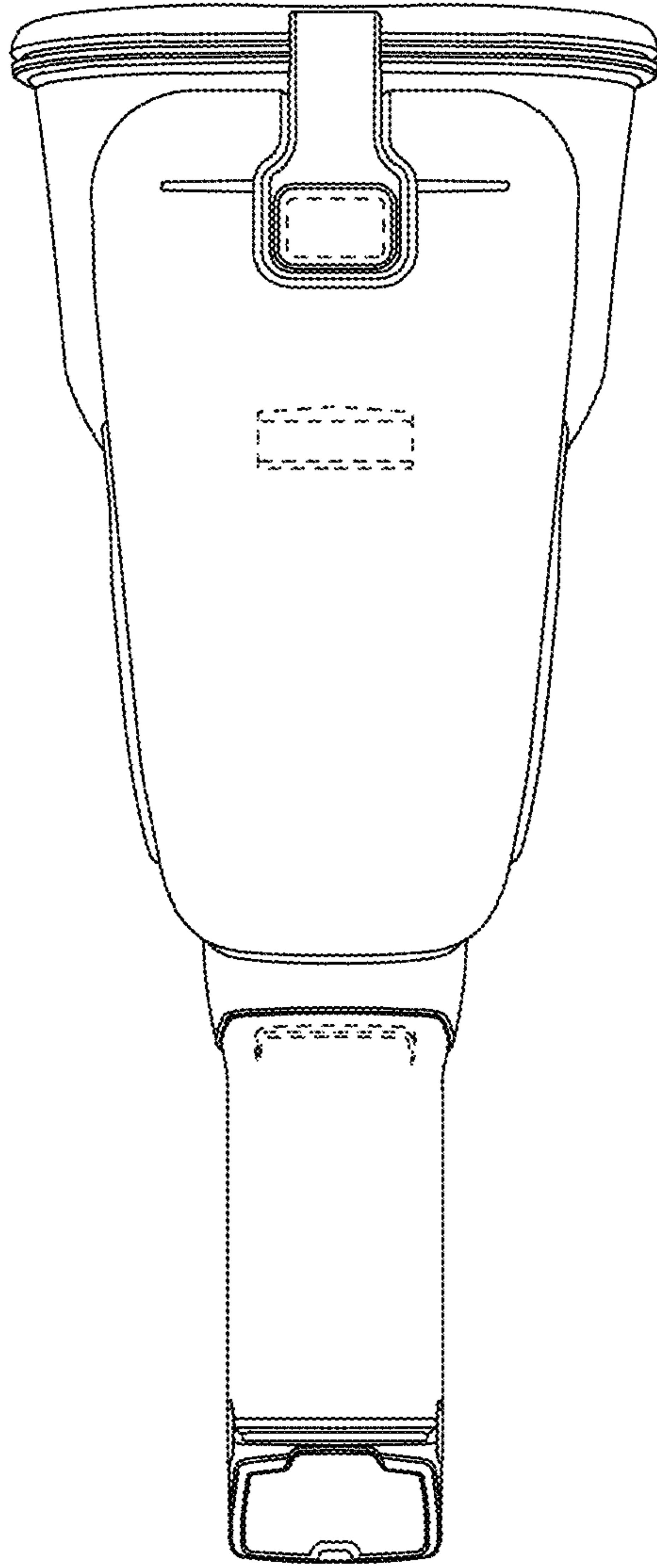


FIG. 7