



US00D941538S

(12) **United States Design Patent**  
**Dammkoehler et al.**

(10) **Patent No.:** **US D941,538 S**  
(45) **Date of Patent:** **\*\* Jan. 18, 2022**

- (54) **HIGH-PRESSURE CLEANER**
- (71) Applicant: **Alfred Kaercher SE & Co. KG**,  
Winnenden (DE)
- (72) Inventors: **Denis Dammkoehler**, Backnang (DE);  
**Zheyi Jin**, Backnang (DE)
- (73) Assignee: **Alfred Kaercher SE & Co. KG**,  
Winnenden (DE)

7,316,286 B2 \* 1/2008 Hillary ..... B05B 9/0855  
180/291  
7,562,780 B2 \* 7/2009 Gilpatrick ..... B08B 3/026  
211/70.6  
D648,082 S \* 11/2011 Alexander ..... D32/15  
D702,900 S \* 4/2014 Kahan ..... D32/16  
D737,528 S \* 8/2015 Dammkoehler ..... D32/25  
D901,799 S \* 11/2020 Stariha ..... D32/25  
10,835,933 B2 \* 11/2020 Luby ..... F04B 17/06

(Continued)

(\*\*) Term: **15 Years**

(21) Appl. No.: **29/703,397**

(22) Filed: **Aug. 27, 2019**

(51) **LOC (13) Cl.** ..... **07-05**

(52) **U.S. Cl.**  
USPC ..... **D32/16**

(58) **Field of Classification Search**  
USPC ..... D16/219; D32/1, 15, 16, 25  
CPC ..... B05B 9/0855; B05B 7/32; B05B 9/007;  
B05B 1/302; B05B 7/2443; B05B 7/12;  
F04B 17/06; B08B 3/026; B01J 47/002;  
A62C 13/76

See application file for complete search history.

(56) **References Cited**

**U.S. PATENT DOCUMENTS**

D458,423 S \* 6/2002 Rehkugler ..... D32/1  
D463,888 S \* 10/2002 Rehkugler ..... B08B 3/026  
D32/1  
D467,692 S \* 12/2002 Morgan ..... D32/15  
6,695,235 B2 \* 2/2004 Faller ..... B08B 3/026  
239/722  
6,779,987 B2 \* 8/2004 Dexter ..... B08B 3/026  
417/299  
D499,848 S \* 12/2004 Leasure ..... D32/15  
6,857,444 B2 \* 2/2005 Davis ..... B08B 3/026  
137/115.06  
6,935,642 B1 \* 8/2005 Craig ..... B08B 3/026  
280/47.24  
D532,942 S \* 11/2006 Busschaert ..... D32/15

**OTHER PUBLICATIONS**

IPC Eagle [https://evacuumstore.com/p-30748-ipc-eagle-ct51-automatic-traction-scrubber.aspx?gclid=EAIaIQobChMI4Jfmn\\_yg7wIVBo3ICh3YEweHEAkYESABEgLBVPD\\_BwE](https://evacuumstore.com/p-30748-ipc-eagle-ct51-automatic-traction-scrubber.aspx?gclid=EAIaIQobChMI4Jfmn_yg7wIVBo3ICh3YEweHEAkYESABEgLBVPD_BwE) (Year: 2021).\*

(Continued)

*Primary Examiner* — Michelle E. Wilson  
*Assistant Examiner* — Richard E Yenchesky  
(74) *Attorney, Agent, or Firm* — Lipsitz & McAllister, LLC

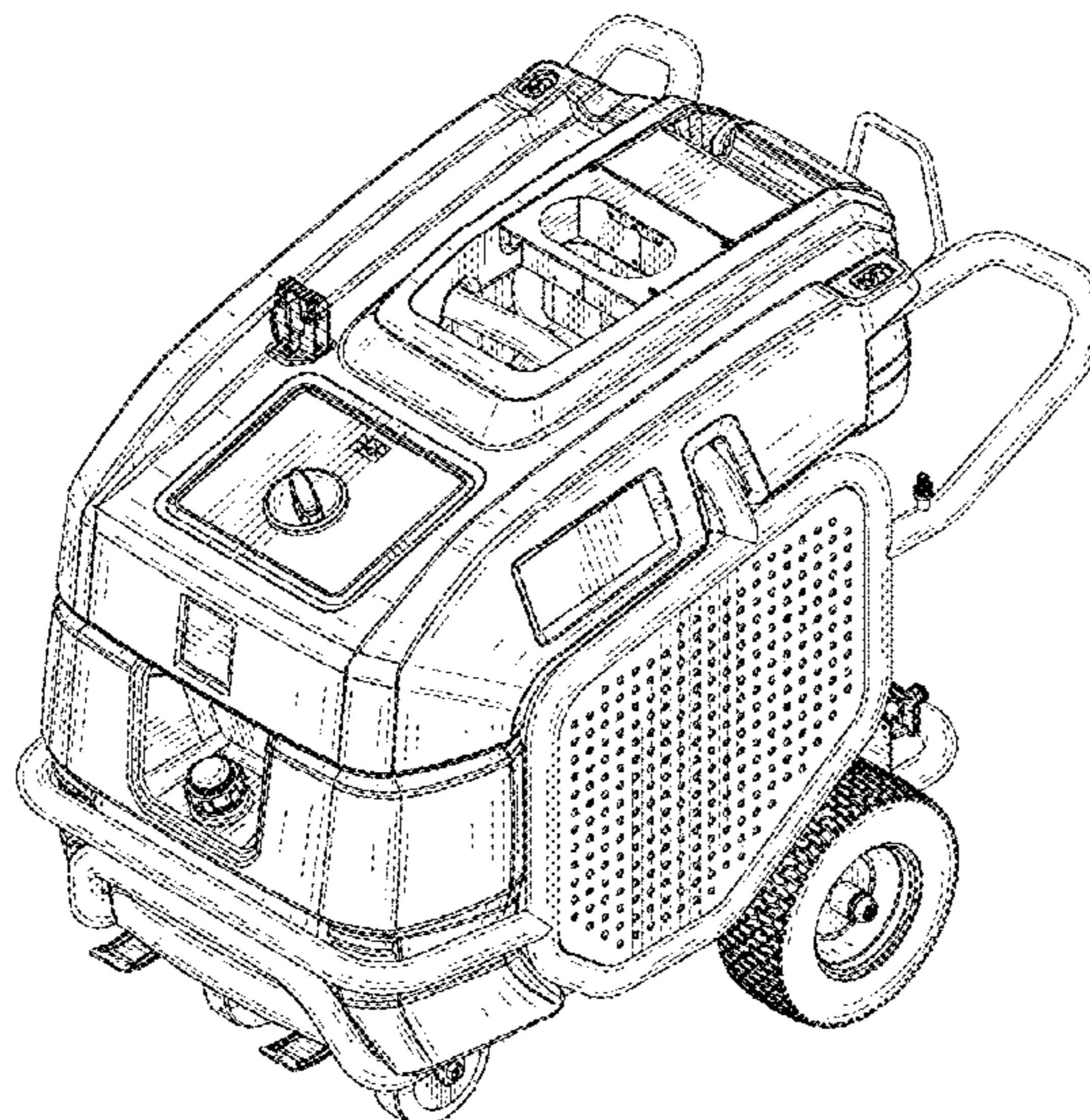
(57) **CLAIM**

The ornamental design for a high-pressure cleaner, as shown and described.

**DESCRIPTION**

FIG. 1 is a front, top and left side perspective view of a high-pressure cleaner showing the new design; FIG. 2 is a front, top and right side perspective view thereof; FIG. 3 is a front elevational view thereof; FIG. 4 is a left side elevational view thereof; FIG. 5 is a rear elevational view thereof; FIG. 6 is a right side elevational view thereof; and, FIG. 7 is a top plan view thereof. The broken line showing of various elements in the figures forms no part of the claimed design.

**1 Claim, 7 Drawing Sheets**



(56)

**References Cited**

U.S. PATENT DOCUMENTS

10,888,887 B2 \* 1/2021 Masters ..... B05B 7/32  
D909,452 S \* 2/2021 Sheng ..... D16/219  
2005/0145270 A1 \* 7/2005 Ray ..... B05B 9/007  
134/174  
2006/0102745 A1 \* 5/2006 Dexter ..... B05B 9/0855  
239/146

OTHER PUBLICATIONS

High Pressure Washer [https://www.kaercher.com/ca/professional/high-pressure-cleaners/www-karcher-com-hot\\_water\\_pressure\\_washers/compact-class/hds-3-0-20-c-ea-11709030.html](https://www.kaercher.com/ca/professional/high-pressure-cleaners/www-karcher-com-hot_water_pressure_washers/compact-class/hds-3-0-20-c-ea-11709030.html) (Year: 2021).  
Extract from catalog of Alfred Kaercher GmbH & Co., "Programm 2001" containing photographs of high-pressure cleaners; cover, pp. 20-21 and last page, Dec. 2000.

\* cited by examiner

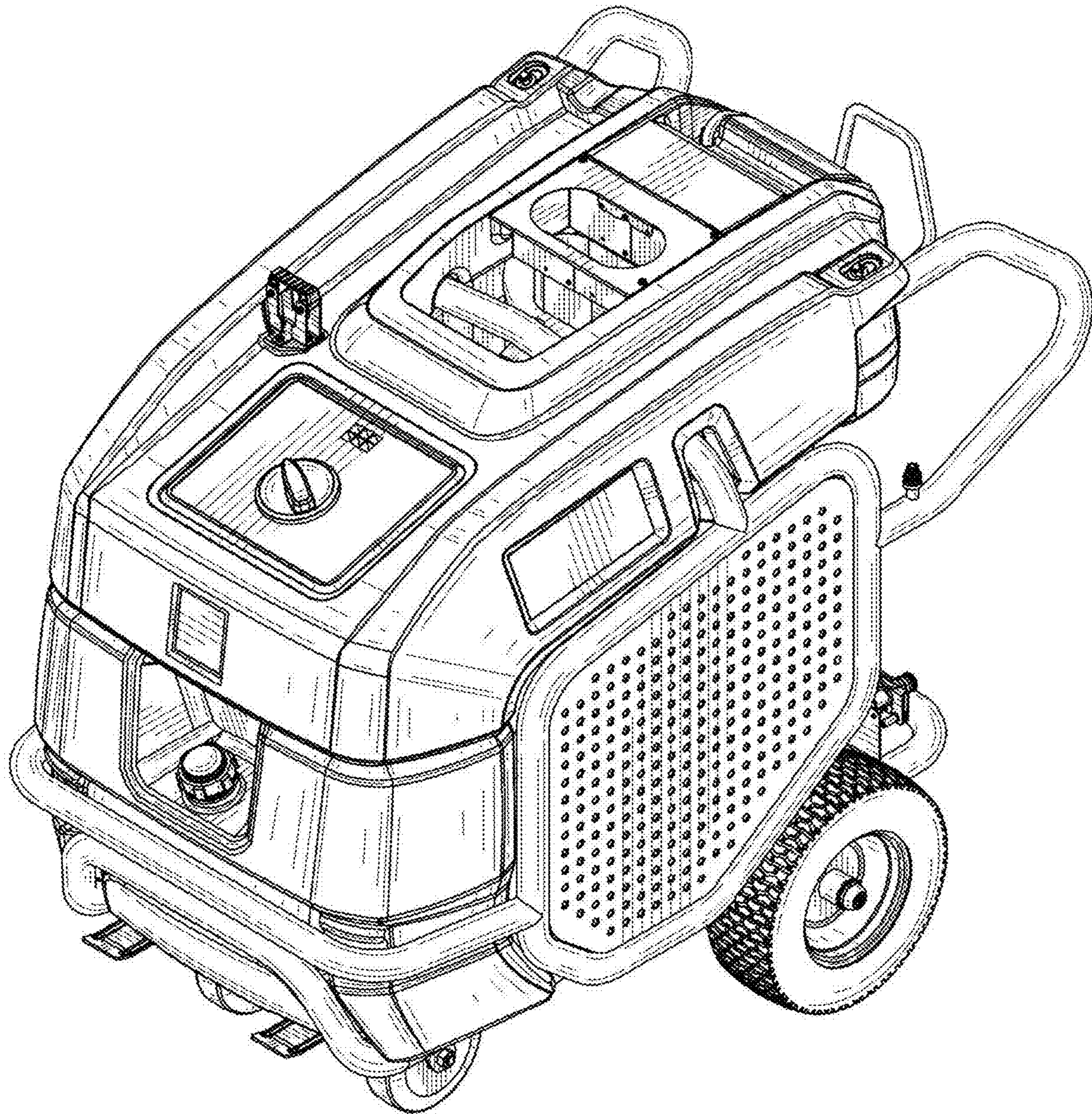


FIG. 1

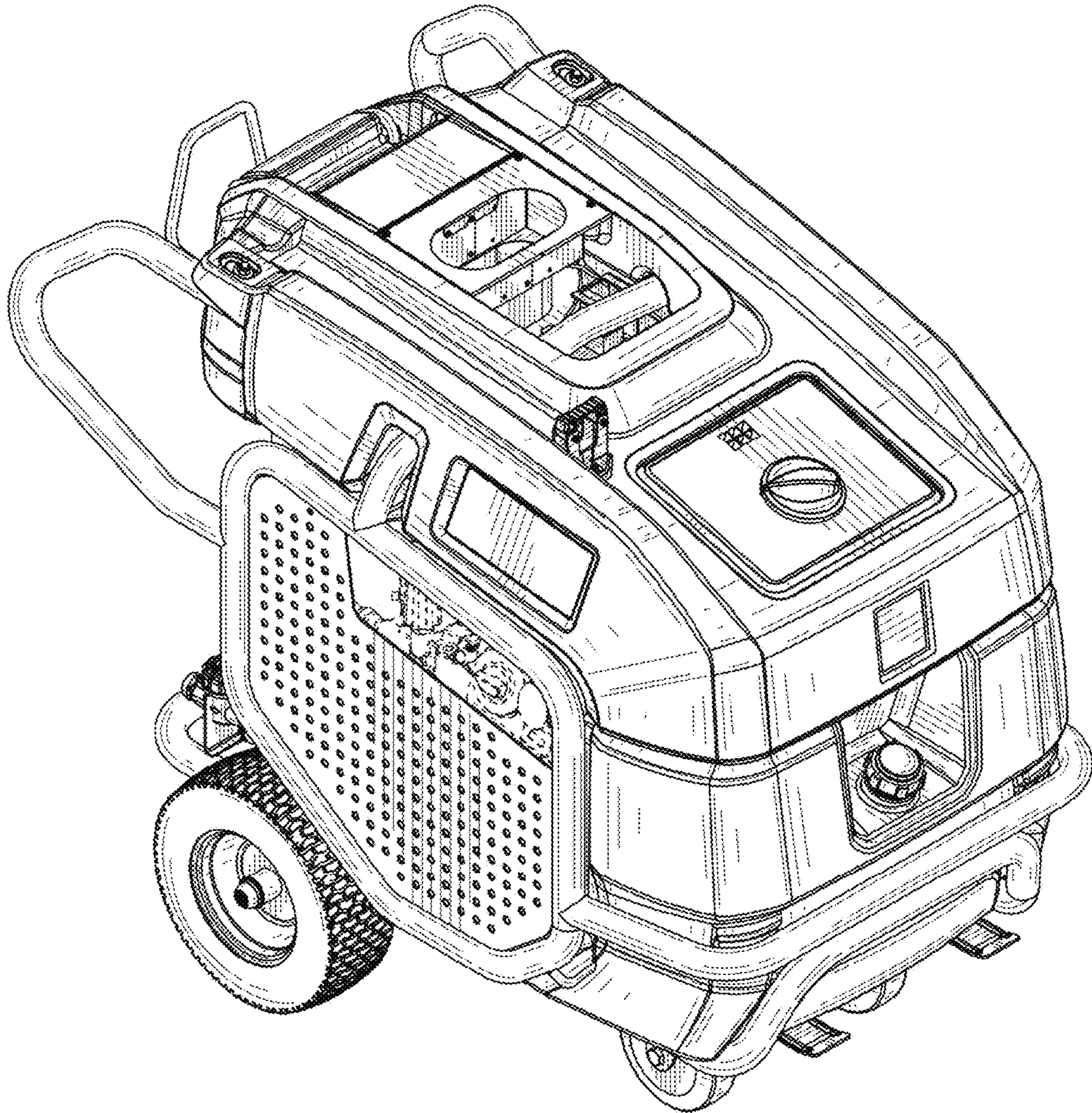


FIG. 2

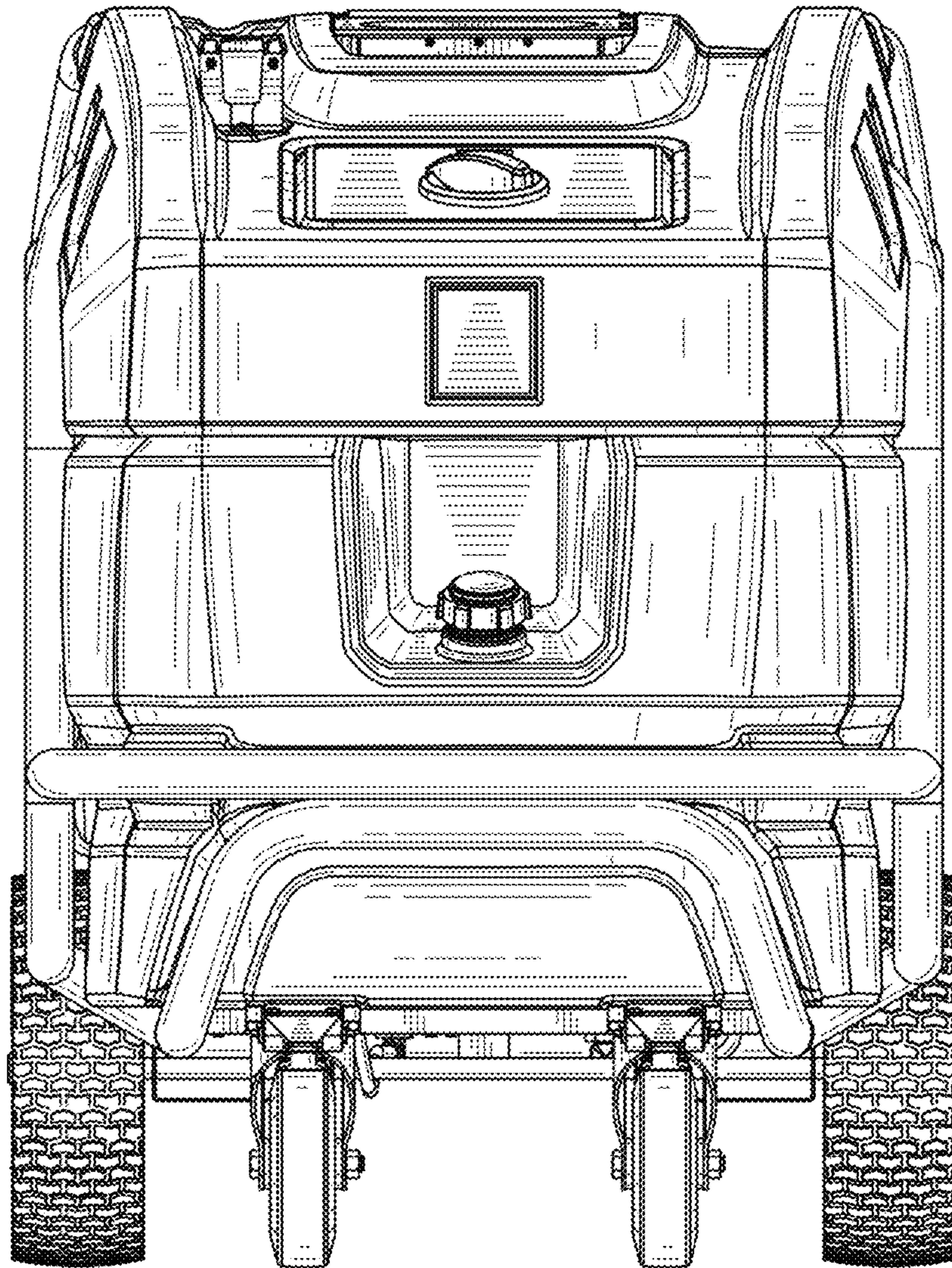


FIG. 3

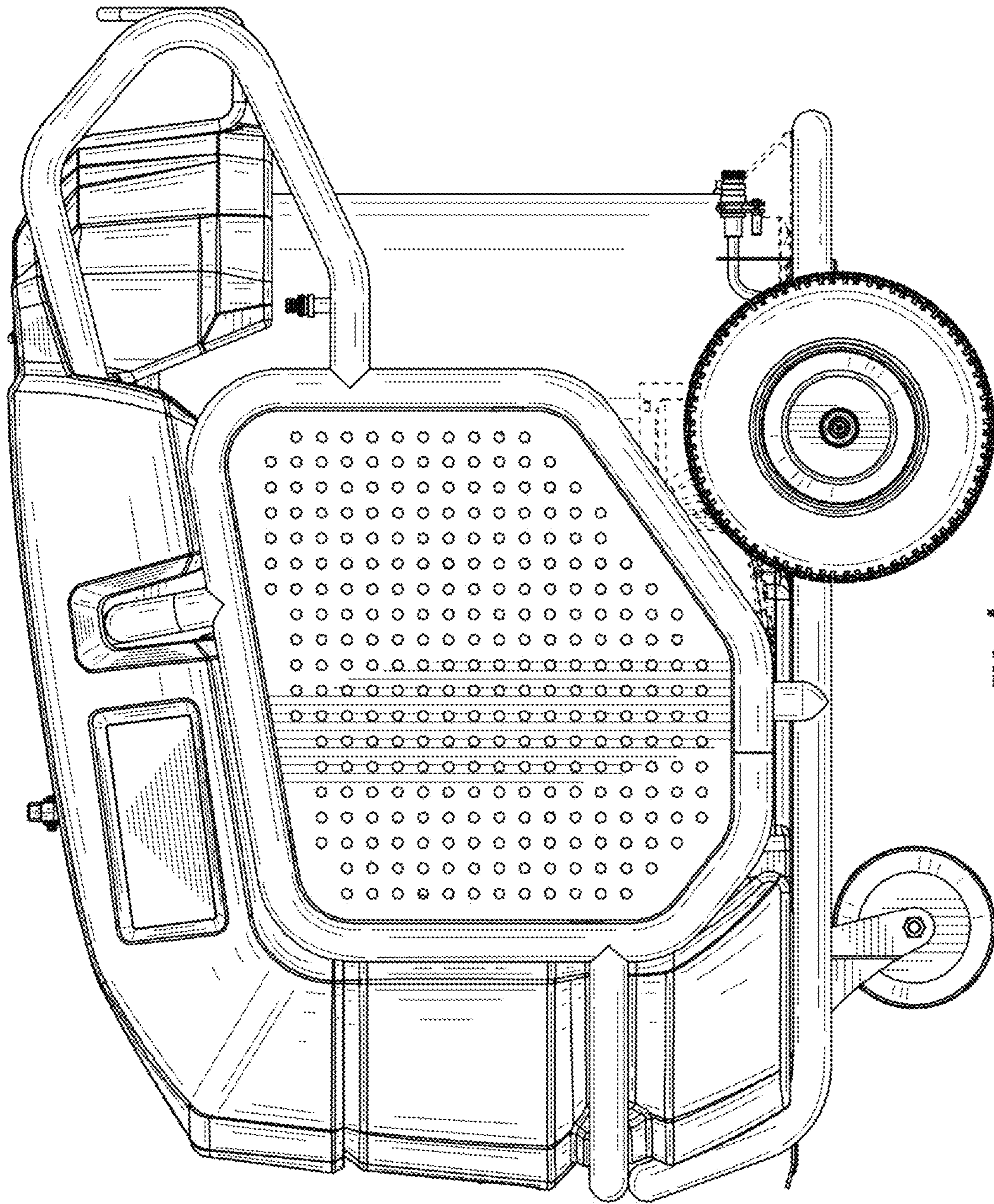


FIG. 4

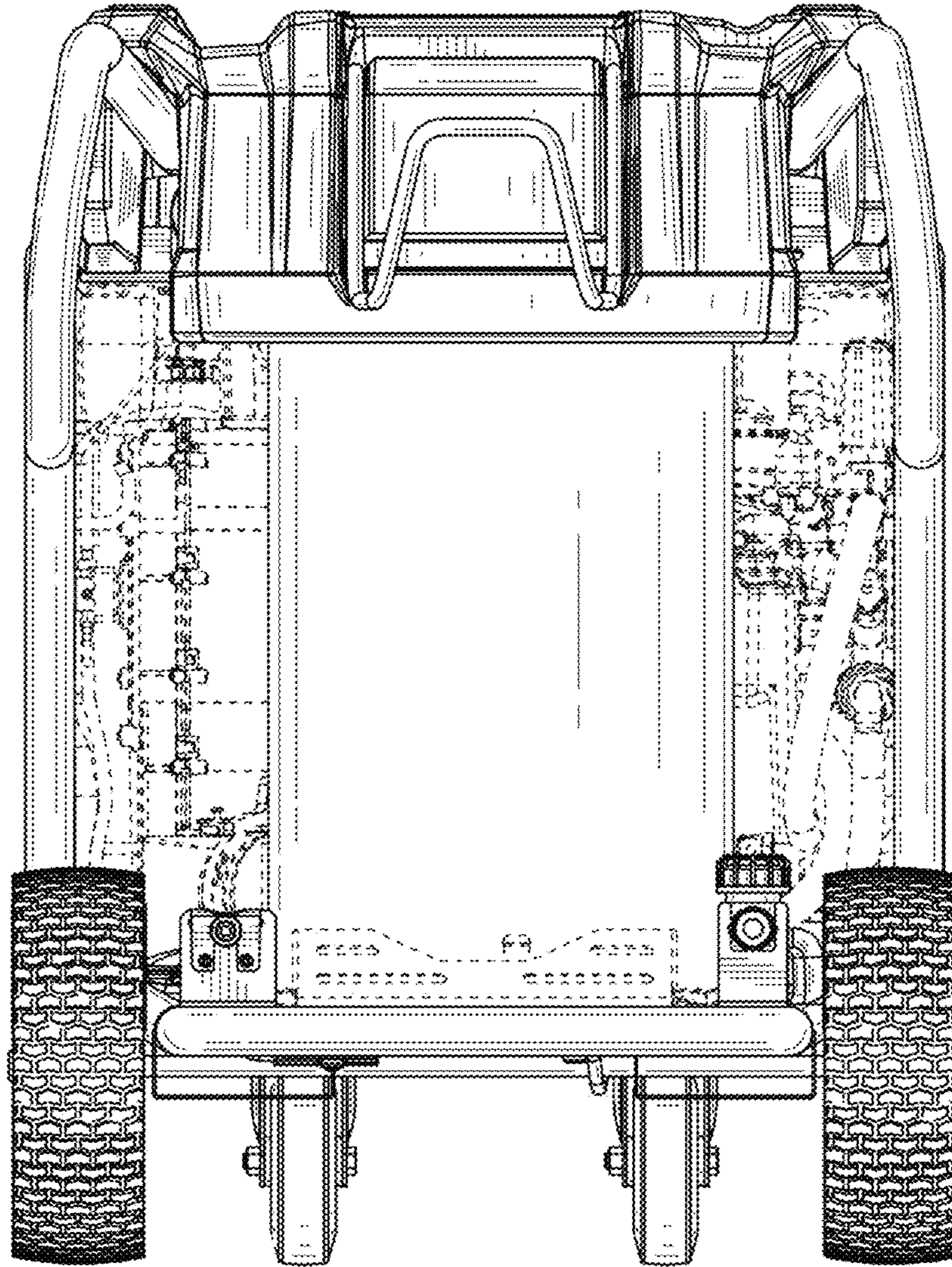


FIG. 5

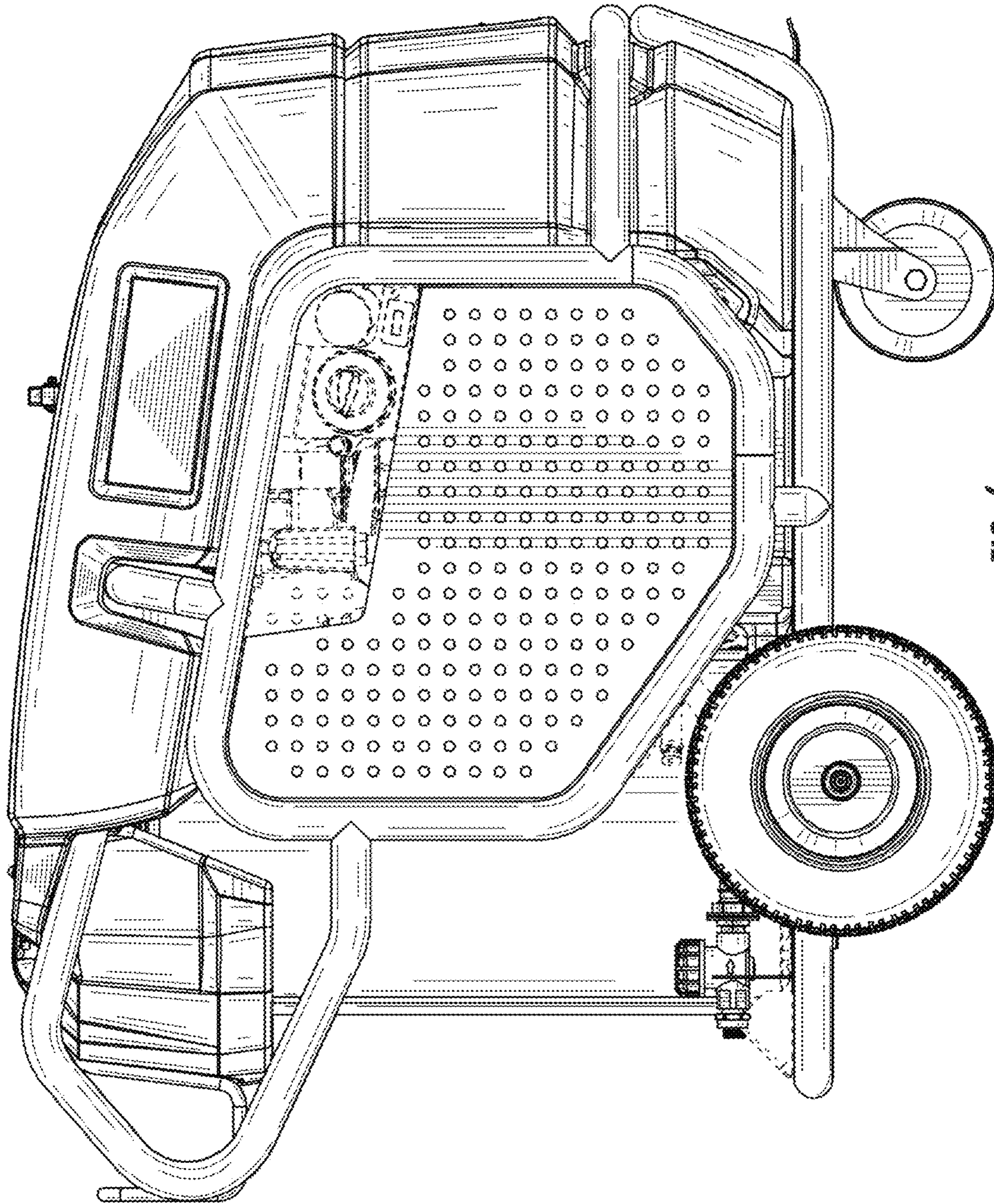


FIG. 6



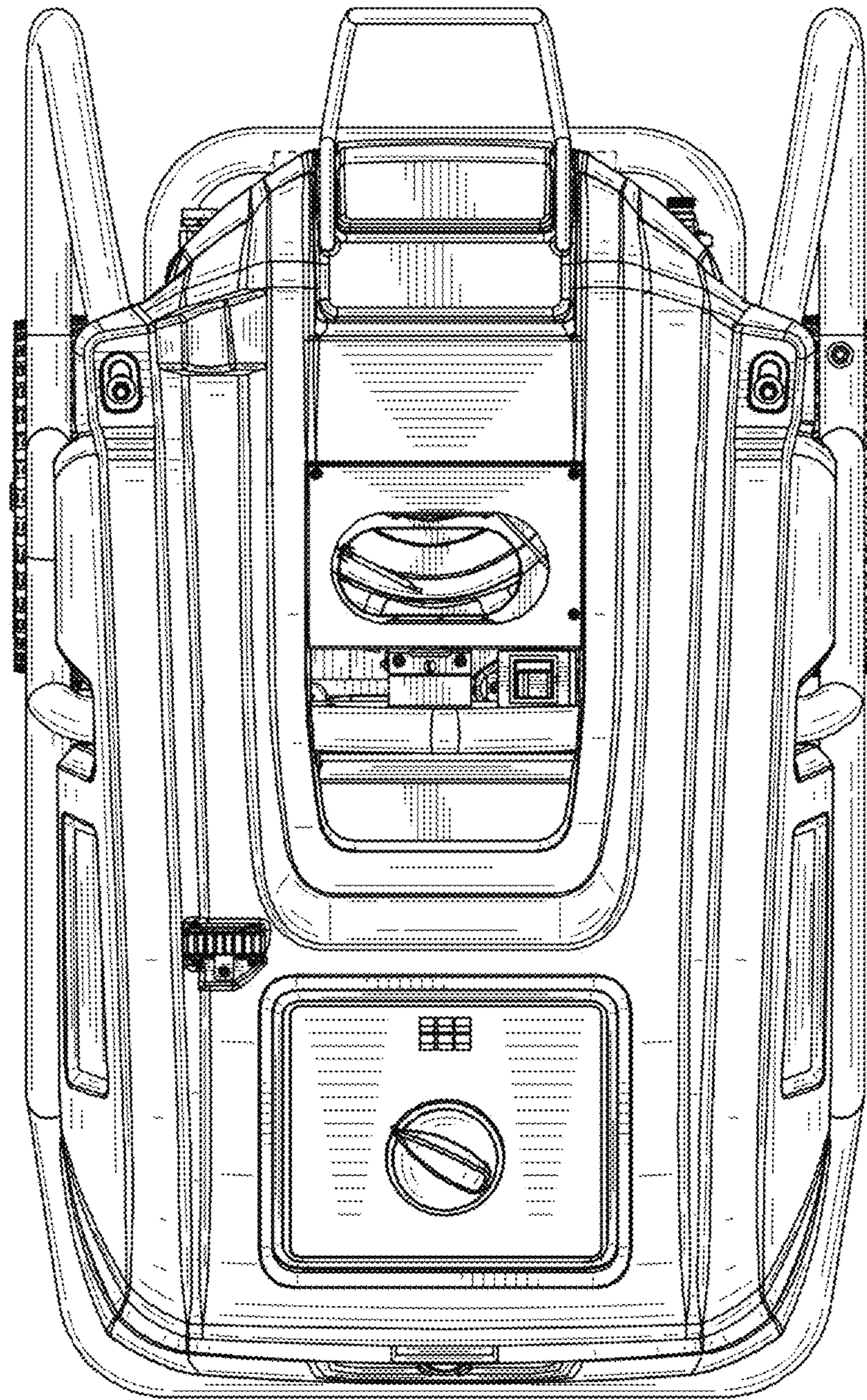


FIG. 7