



US00D941535S

(12) **United States Design Patent** (10) **Patent No.:** **US D941,535 S**
Guo (45) **Date of Patent:** **** Jan. 18, 2022**

(54) **CAT TREE TOWER**

FOREIGN PATENT DOCUMENTS

(71) Applicant: **ZeShan Guo**, Jiangsu Province (CN)

EM 008500730-0001 * 4/2021
GB 6130880 * 4/2021

(72) Inventor: **ZeShan Guo**, Jiangsu Province (CN)

(73) Assignee: **WENZHOU MIAOKU TRADING COMPANY LIMITED**, Zhejiang (CN)

OTHER PUBLICATIONS

(**) Term: **15 Years**

“CatRomance Cat Tree” available Jan. 20, 2021, [online], [site visited Nov. 12, 2021]. Retrieved from Internet, URL: <https://www.amazon.com/CatRomance-Multi-Level-Scratching-Sisal-Covered-Kittens/dp/B08TH71H1Y?th=1> (Year: 2021).*

(21) Appl. No.: **29/778,852**

“Topeakmart Cat Tree” available Mar. 6, 2021, [online], [site visited Nov. 12, 2021]. Retrieved from Internet, URL: https://www.amazon.com/Topeakmart-Platform-Basket-Indoor-Kittens/dp/B08Y68WZYK/ref=sr_1_162 (Year: 2021).*

(22) Filed: **Apr. 15, 2021**

“BEWISHOME Cat Tree Condo” available Oct. 30, 2020, [online], [site visited Nov. 12, 2021]. Retrieved from Internet, URL: https://www.amazon.com/BEWISHOME-Scratching-Basket-Furniture-Activity/dp/B086TS1L6Q/ref=sr_1_154 (Year: 2020).*

(51) **LOC (13) Cl.** **30-99**

(52) **U.S. Cl.**
USPC **D30/160**

(58) **Field of Classification Search**
USPC D30/158, 160, 199; 119/702, 705, 706, 119/707

CPC ... A01K 15/024; A01K 15/025; A01K 15/027
See application file for complete search history.

* cited by examiner

Primary Examiner — W. A. Teddy Falloway
Assistant Examiner — Katrina N Gonzalez

(56) **References Cited**

U.S. PATENT DOCUMENTS

D257,293 S	*	10/1980	Michalski	D30/158
D261,186 S	*	10/1981	Michalski	D30/158
D846,206 S	*	4/2019	He	D30/160
D846,818 S	*	4/2019	He	D30/160
D881,482 S		4/2020	Jayne et al.		
D883,585 S		5/2020	Song		
D883,586 S	*	5/2020	Song	D30/160
D884,991 S		5/2020	Song		
D885,691 S		5/2020	Song		
D886,398 S		6/2020	Song		
D891,712 S		7/2020	He		
D920,599 S	*	5/2021	Guo	D30/160
D920,600 S	*	5/2021	Guo	D30/160
D928,427 S	*	8/2021	Guo	D30/160
D928,428 S	*	8/2021	Guo	D30/160
D930,290 S	*	9/2021	He	D30/161
2016/0360729 A1	*	12/2016	Shi	A01K 15/025
2019/0230896 A1	*	8/2019	Goldman	A01K 15/024

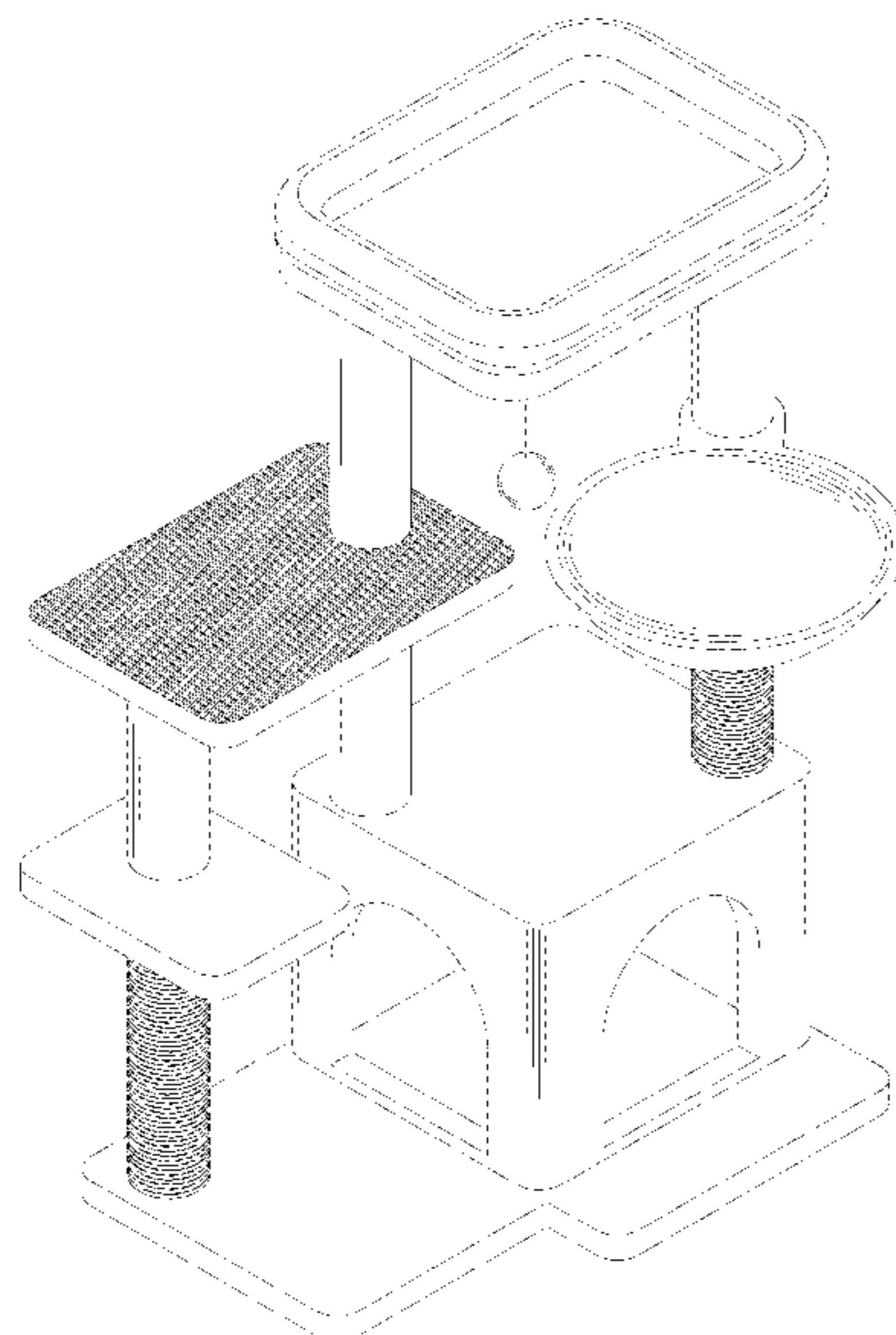
(57) **CLAIM**

The ornamental design for a cat tree tower, as shown and described.

DESCRIPTION

FIG. 1 is a perspective view of a cat tree tower showing my new design;
FIG. 2 is a front elevation view thereof;
FIG. 3 is a top plan view thereof;
FIG. 4 is a left side elevation view thereof;
FIG. 5 is a rear elevation view thereof;
FIG. 6 is a right side elevation view thereof; and,
FIG. 7 is a bottom plan view thereof.

1 Claim, 7 Drawing Sheets



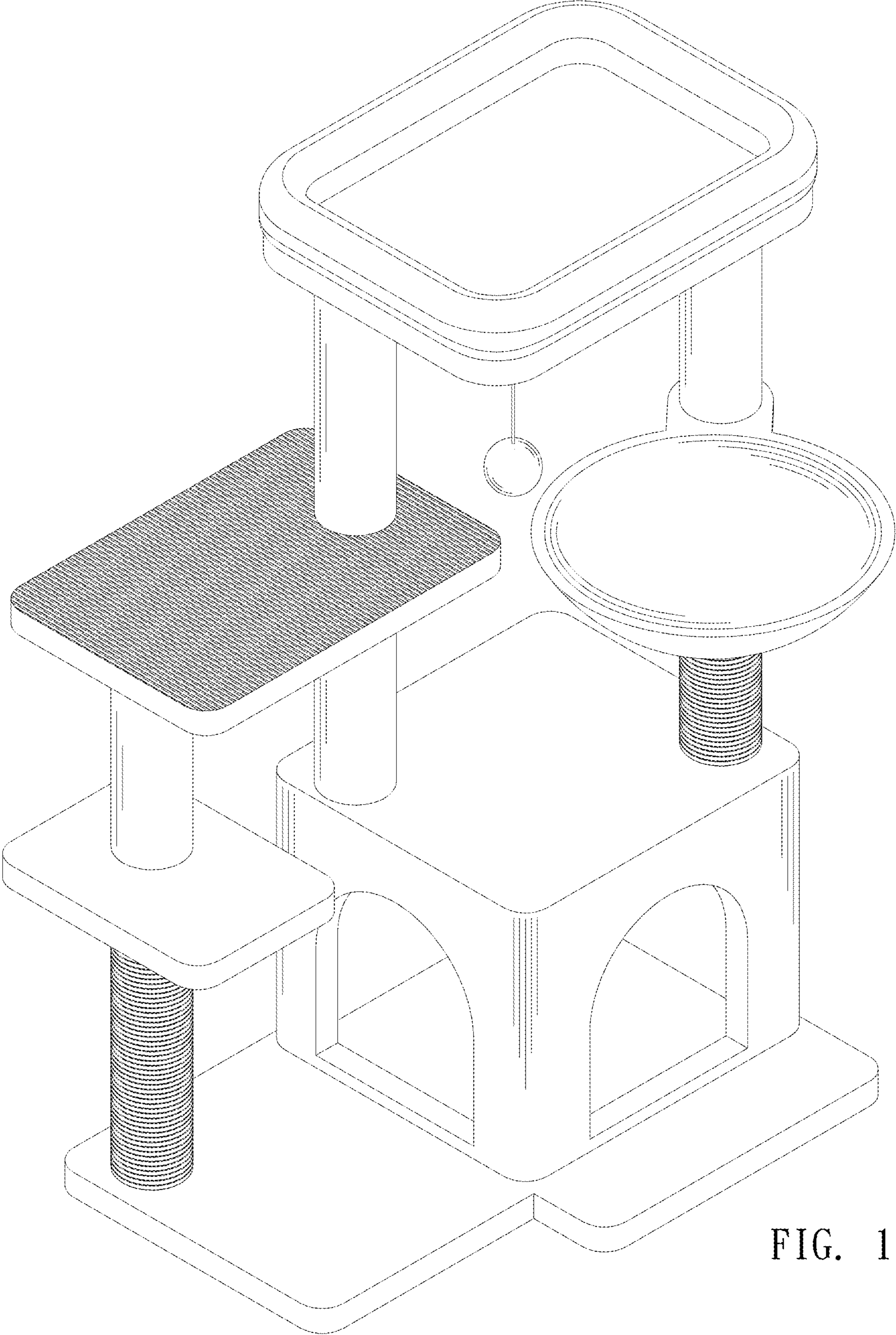


FIG. 1

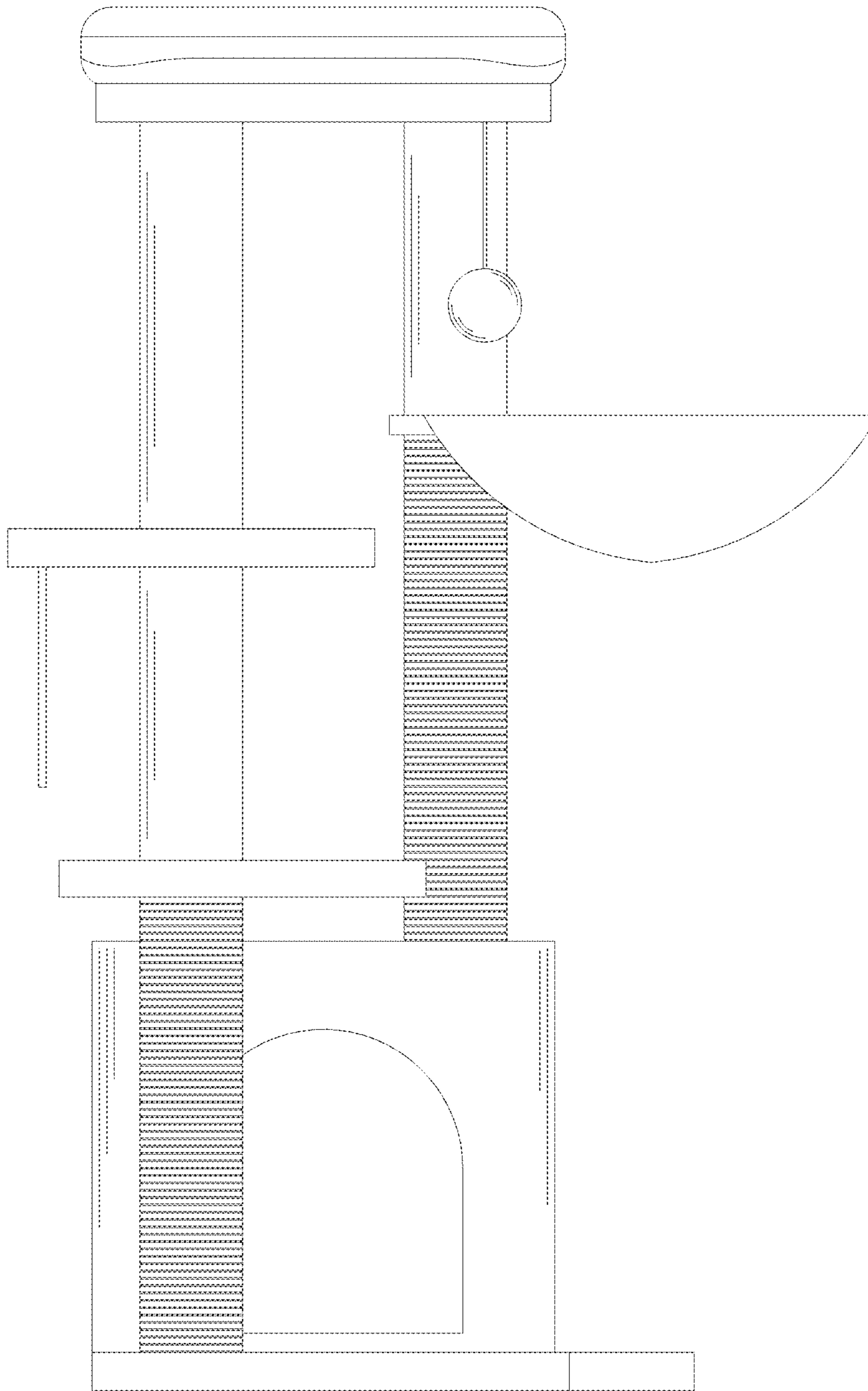


FIG. 2

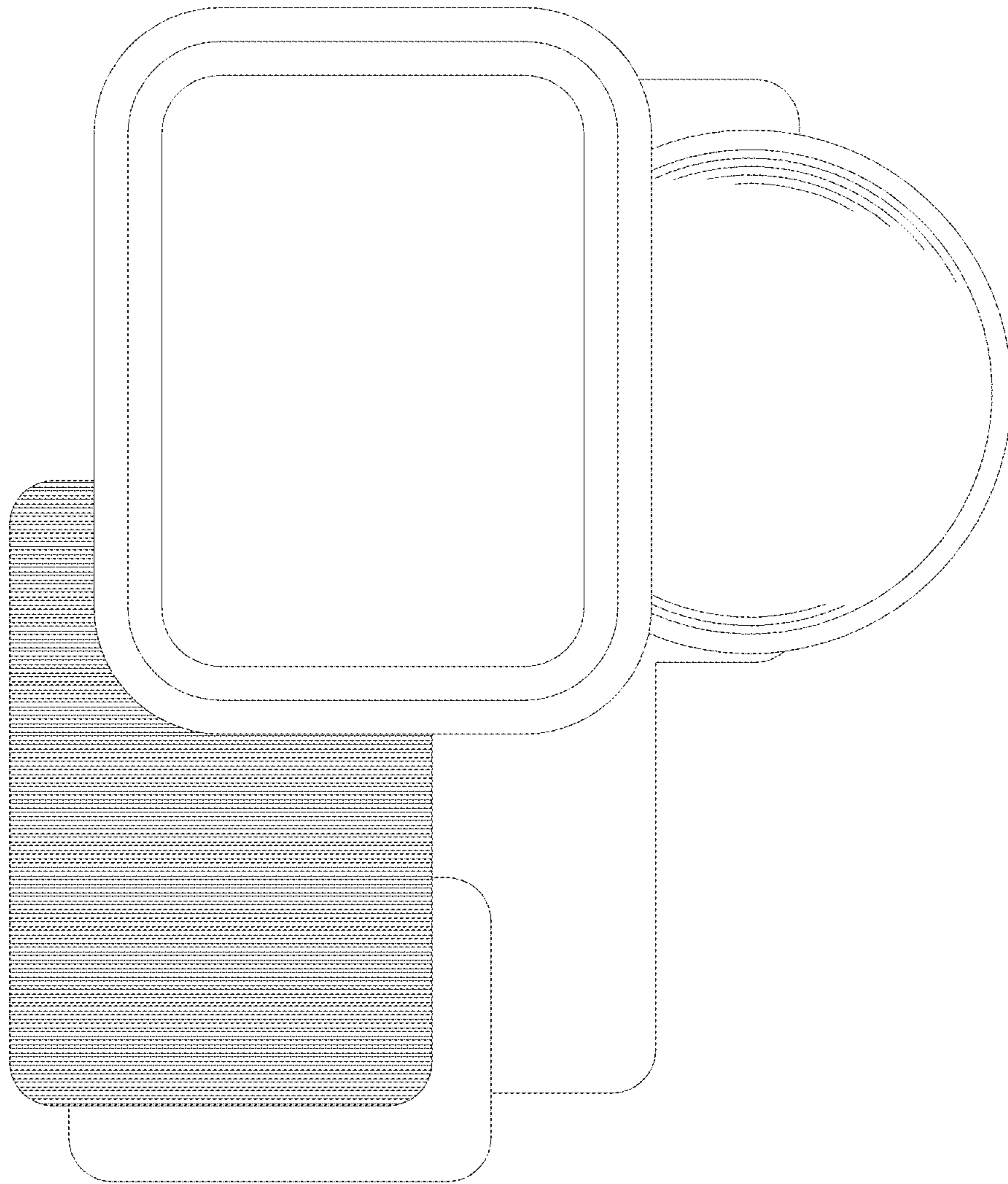


FIG. 3

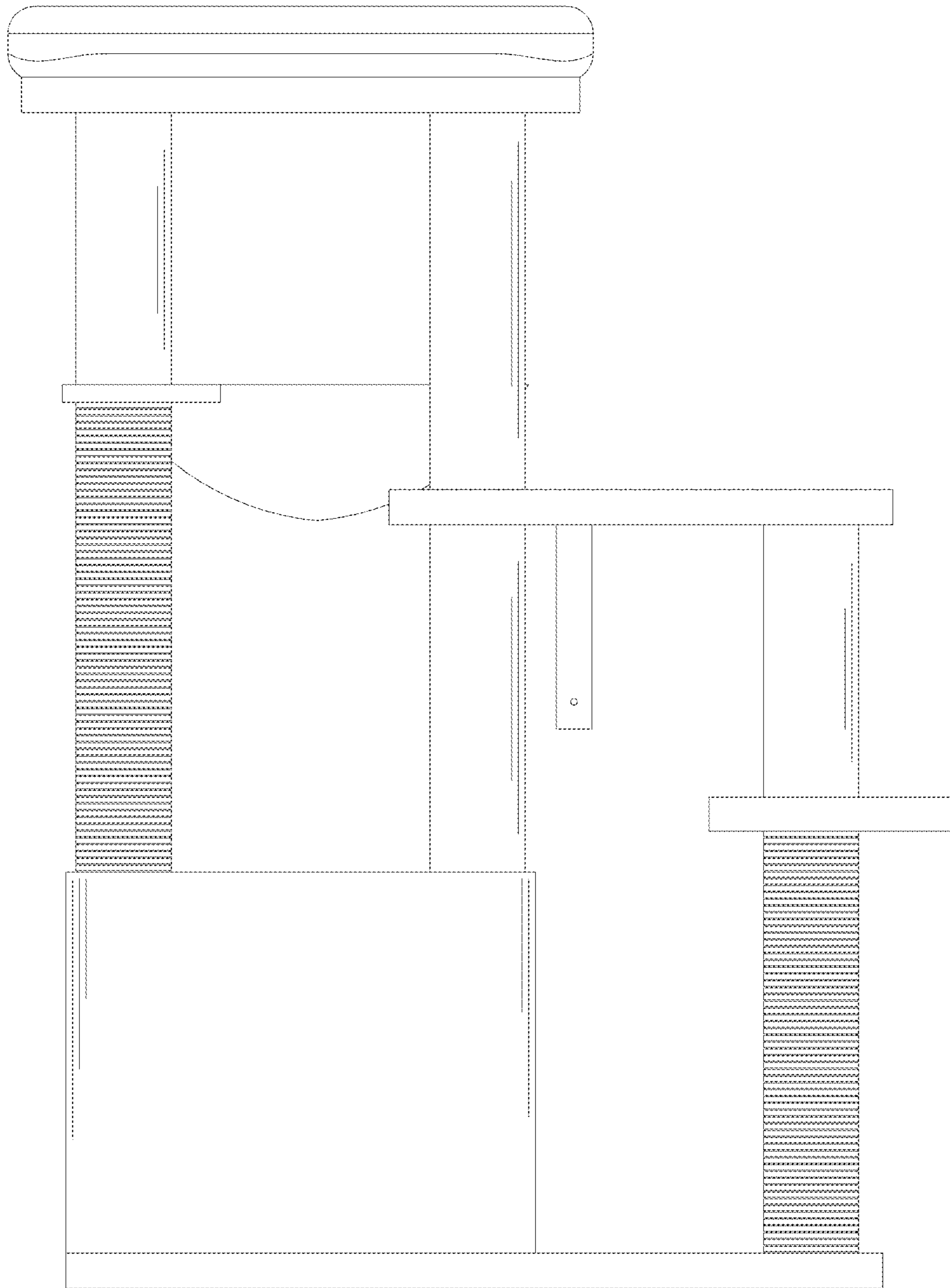


FIG. 4

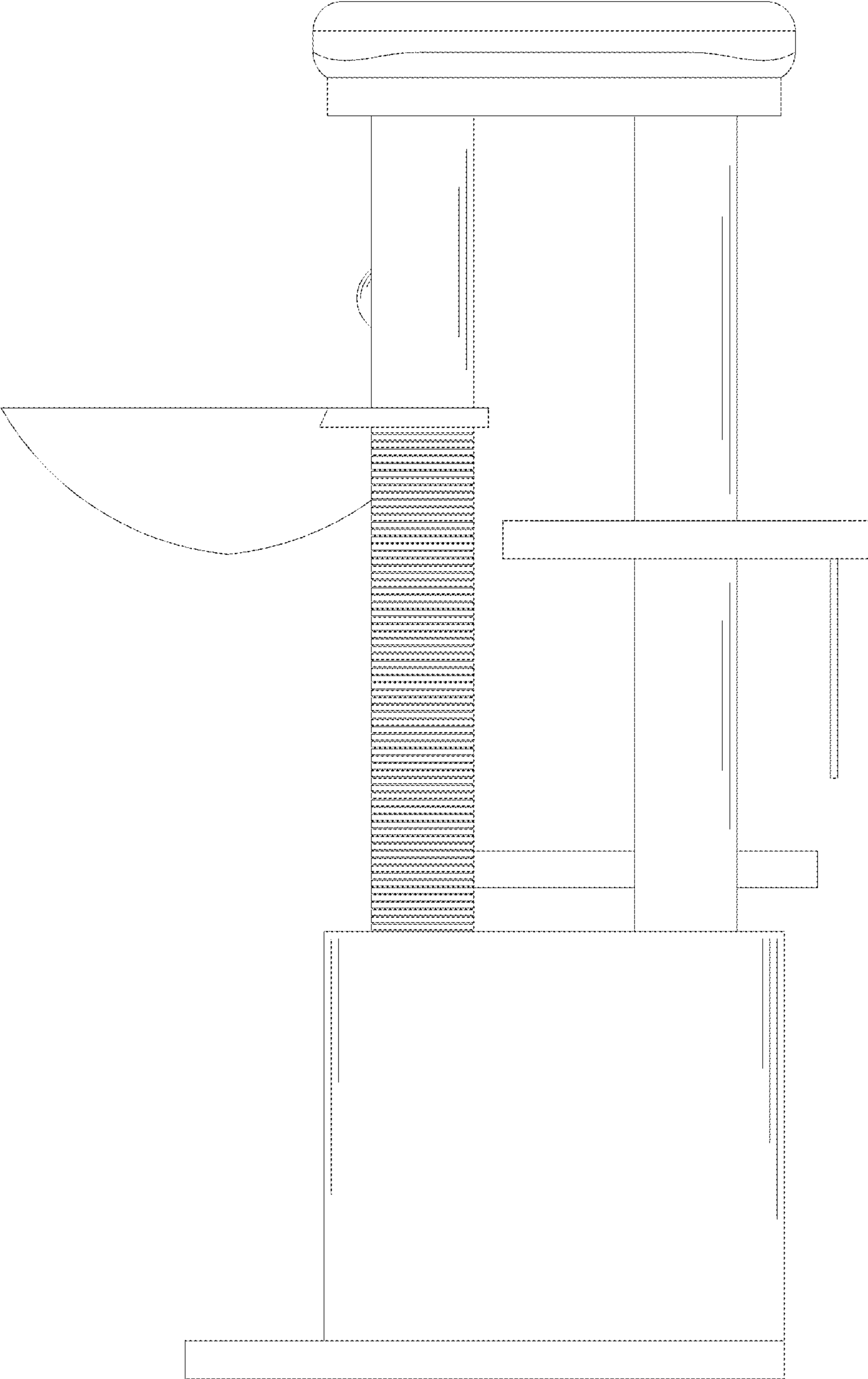


FIG. 5

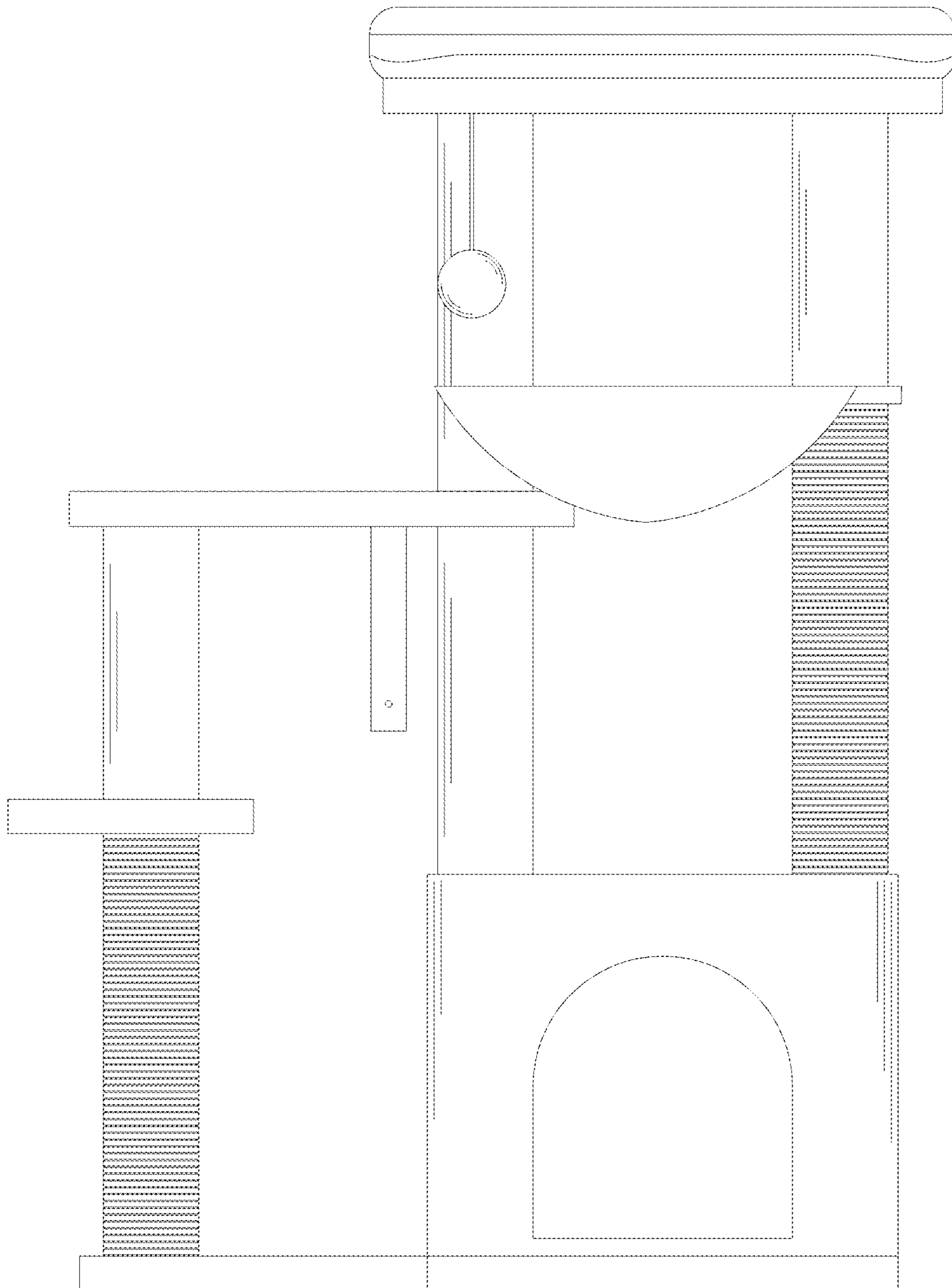


FIG. 6

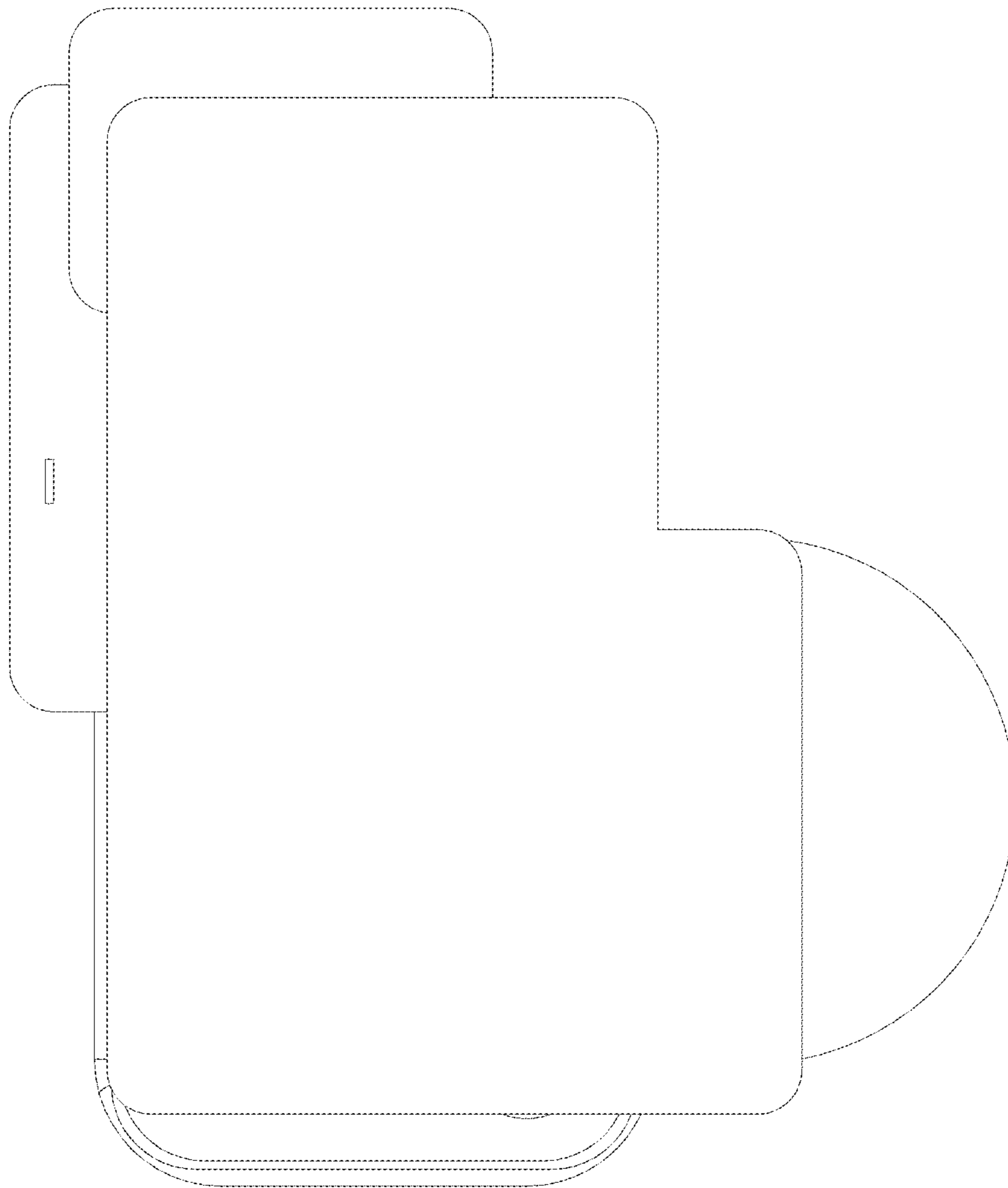


FIG. 7